

US00D766025S

(12) **United States Design Patent** (10) **Patent No.:** **US D766,025 S**
Caforio (45) **Date of Patent:** **** Sep. 13, 2016**

(54) **POSTURAL SYSTEM**

(71) Applicant: **PRO MEDICARE S.R.L.**, Mesagne,
BR (IT)

(72) Inventor: **Rosaria Eugenia Caforio**, Mesagne
(IT)

(73) Assignee: **PRO MEDICARE S.R.L.**, Mesagne
(IT)

(**) Term: **15 Years**

(21) Appl. No.: **29/536,230**

(22) Filed: **Aug. 14, 2015**

Related U.S. Application Data

(62) Division of application No. 29/498,774, filed on Aug. 7, 2014, now Pat. No. Des. 738,660, which is a division of application No. 29/483,373, filed on Feb. 27, 2014, now Pat. No. Des. 713,665, which is a division of application No. 29/468,158, filed on Sep. 26, 2013, now Pat. No. Des. 702,980, which is a division of application No. 29/451,830, filed on Apr. 9, 2013, now Pat. No. Des. 693,164, which is a division of application No. 29/433,797, filed on Oct. 4, 2012, now Pat. No. Des. 680,778, which is a division of application No. 29/379,909, filed on Nov. 26, 2010, now Pat. No. Des. 670,109.

(30) **Foreign Application Priority Data**

May 26, 2010 (EM) 001712142

(51) **LOC (10) Cl.** **06-01**

(52) **U.S. Cl.**
USPC **D6/716.1**

(58) **Field of Classification Search**
USPC D6/354, 368, 595-604, 716, 716.1
CPC A47G 9/10; A47G 9/1009; A47G 9/1018;
A47G 9/1027; A47G 9/1036; A47G 9/1045;
A47G 9/1063; A47G 9/1072; A47G 9/1081;

A47G 9/109; A47C 4/54; A47C 7/021;
A47C 7/022; A47C 7/024; A47C 7/14;
A47C 7/425; A47C 27/00; A47C 27/146;
B60N 2/643; B62J 1/26

See application file for complete search history.

(56) **References Cited**

U.S. PATENT DOCUMENTS

3,749,442 A	7/1973	Berg et al.	
4,835,801 A *	6/1989	Walpin	A47C 7/425 297/452.32
D327,389 S	6/1992	Flores et al.	
5,163,737 A	11/1992	Navach et al.	
D342,411 S	12/1993	Graebe	
5,343,876 A	9/1994	Rogers	
5,369,828 A	12/1994	Graebe	
D367,199 S *	2/1996	Graebe	D6/596
5,657,499 A	8/1997	Vaughn et al.	
D386,035 S *	11/1997	Matsler	D6/596
5,797,155 A	8/1998	Maier et al.	
5,833,319 A	11/1998	Davis	
5,845,352 A	12/1998	Matsler et al.	
6,135,550 A	10/2000	Tucho	
6,241,320 B1	6/2001	Chew et al.	

(Continued)

Primary Examiner — Ricky Pham

(74) *Attorney, Agent, or Firm* — Sughrue Mion, PLLC

(57) **CLAIM**

The ornamental design for a postural system, as shown and described.

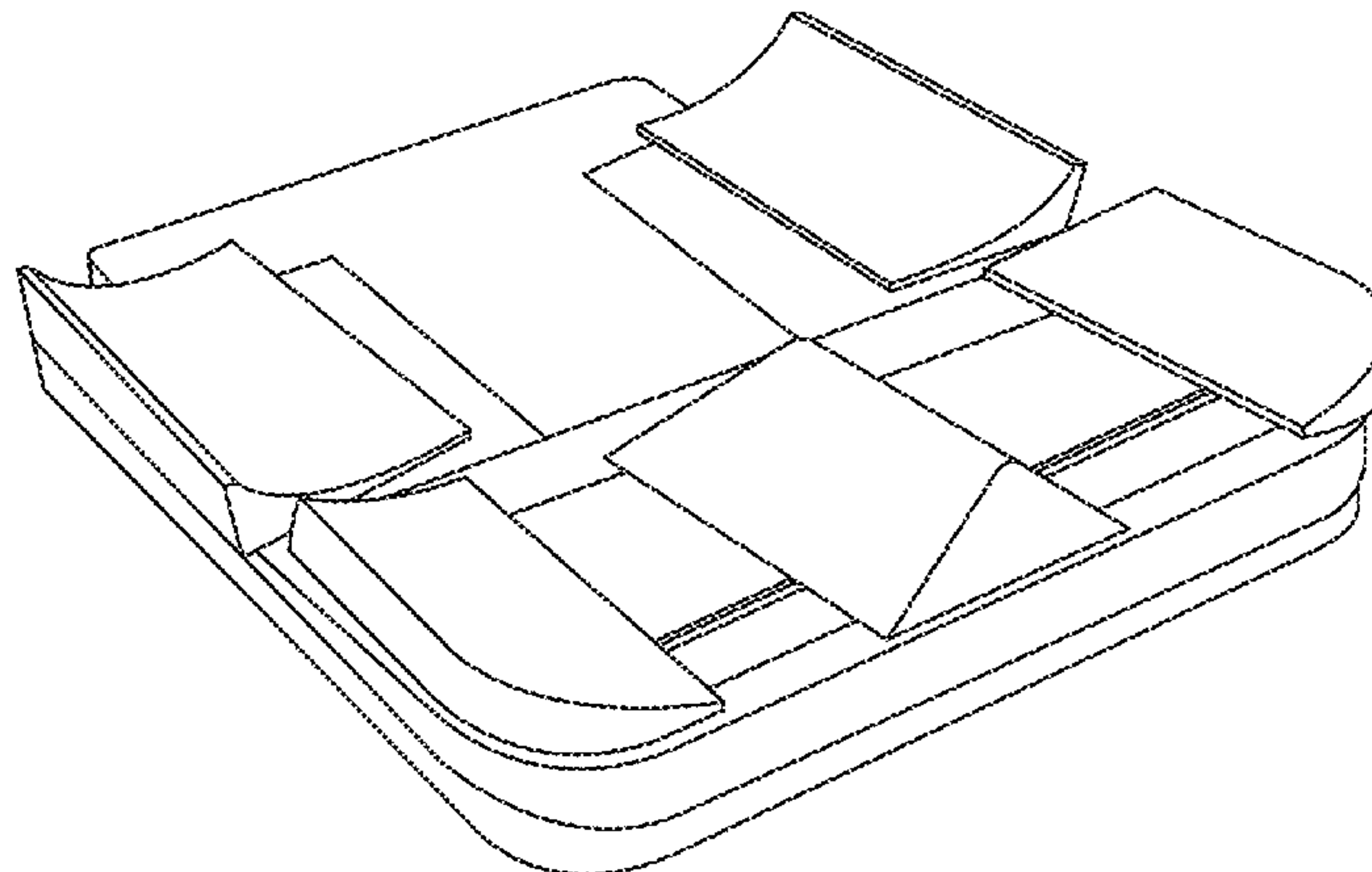
DESCRIPTION

FIG. 1 is a perspective view of a postural system showing my new design, shown without the padding system for ease of illustration;

FIG. 2 is an exploded view of the postural system of FIG. 1; and,

FIG. 3 is a perspective view of the postural system of FIG. 1, shown with a padding system.

1 Claim, 3 Drawing Sheets



(56)

References Cited

U.S. PATENT DOCUMENTS

D463,701 S	10/2002	Borcharding et al.		D673,785 S	1/2013	Sprouse, II	
D465,686 S	11/2002	Hwong		8,359,686 B2	1/2013	Hunter et al.	
D474,637 S	5/2003	Scheetz		8,360,530 B2	1/2013	Onoda et al.	
6,611,980 B2 *	9/2003	Wempe	A47C 7/022	8,398,170 B2	3/2013	Walker	
			5/653	D680,778 S	4/2013	Caforio	
6,625,830 B2	9/2003	Lampel		D693,164 S	11/2013	Caforio	
D481,247 S	10/2003	Roberts et al.		8,585,144 B2	11/2013	Huttenhuis	
D496,205 S	9/2004	Baddour		D702,980 S	4/2014	Caforio	
6,990,744 B2	1/2006	Bieganeck et al.		D707,358 S	6/2014	Mantilla	
7,216,388 B2	5/2007	Bieganeck et al.		D713,665 S	9/2014	Caforio	
7,225,486 B2	6/2007	Jackson, III		D738,660 S *	9/2015	Caforio	D6/716.1
7,350,251 B2 *	4/2008	Fraser	A47C 4/54	D747,613 S *	1/2016	Scarlett	D6/601
			5/653	2002/0175553 A1	11/2002	Steifensand	
7,373,678 B2	5/2008	Hetzel et al.		2003/0030319 A1	2/2003	Clapper	
7,546,651 B2	6/2009	Groteke et al.		2003/0121103 A1	7/2003	Wempe	
7,607,738 B2	10/2009	Gregory et al.		2005/0022306 A1	2/2005	Hetzel et al.	
D617,131 S *	6/2010	Sprouse, II	D6/601	2005/0050636 A1 *	3/2005	Setokawa	A47G 9/1036
7,891,033 B2	2/2011	Loewenthal et al.					5/636
D634,960 S	3/2011	Anson		2005/0066445 A1	3/2005	Christofferson et al.	
D646,101 S *	10/2011	Goeckel	D6/601	2005/0151410 A1	7/2005	Sprouse, II	
D647,347 S	10/2011	Klotz		2006/0170274 A1	8/2006	Moule	
D647,348 S	10/2011	Klotz		2006/0174414 A1 *	8/2006	Maarbjerg	A47G 9/10
D650,214 S *	12/2011	Klotz	D6/601				5/636
D657,605 S	4/2012	Chen		2008/0079306 A1	4/2008	Whelan et al.	
D658,396 S	5/2012	Sprouse, II		2008/0163428 A1	7/2008	Groteke et al.	
D670,109 S	11/2012	Caforio		2009/0139031 A1 *	6/2009	Davis	A47G 9/10
							5/639
				2012/0017374 A1	1/2012	Hunter et al.	
				2012/0137441 A1	6/2012	Caforio	

* cited by examiner

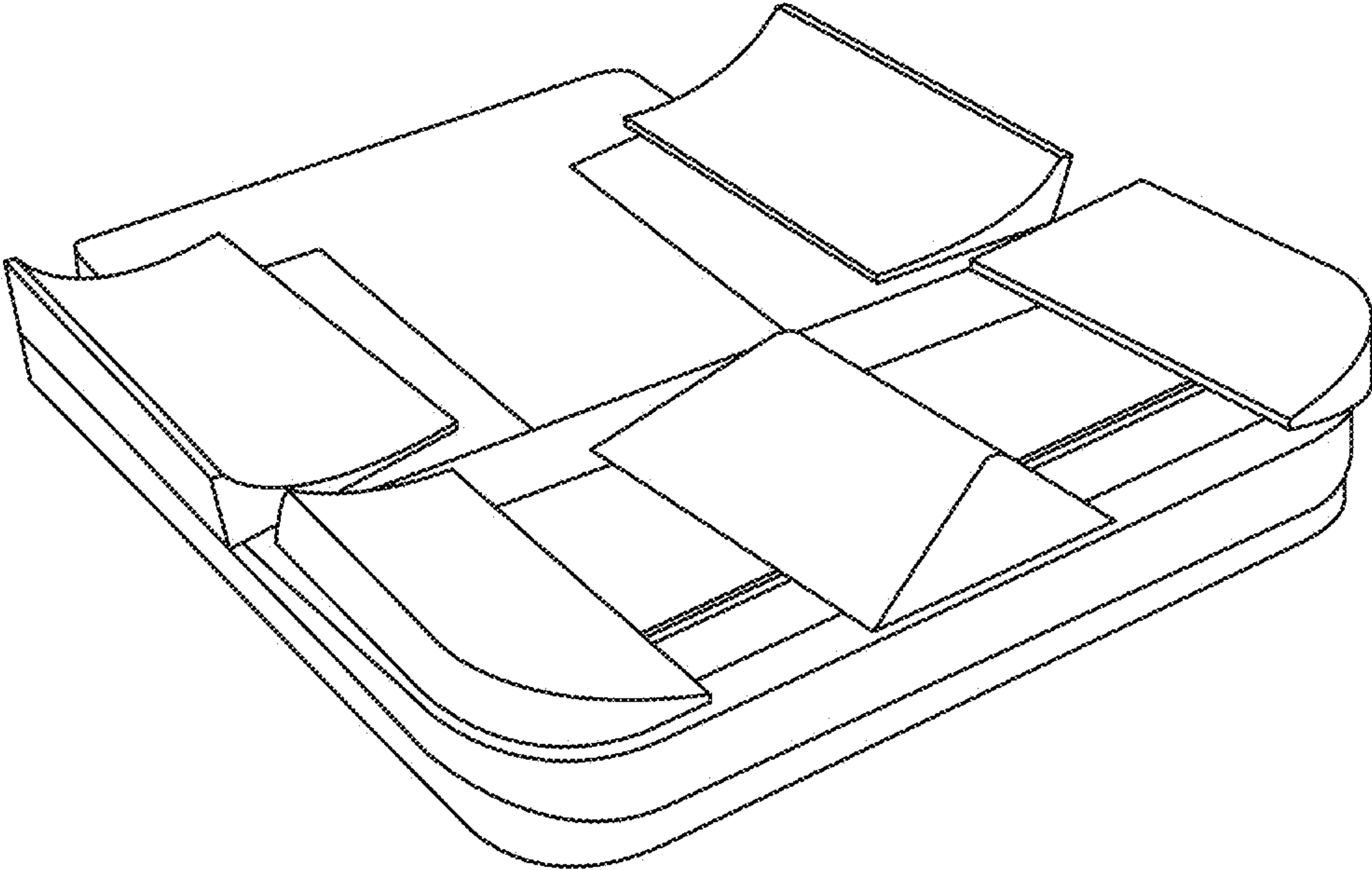


FIG. 1

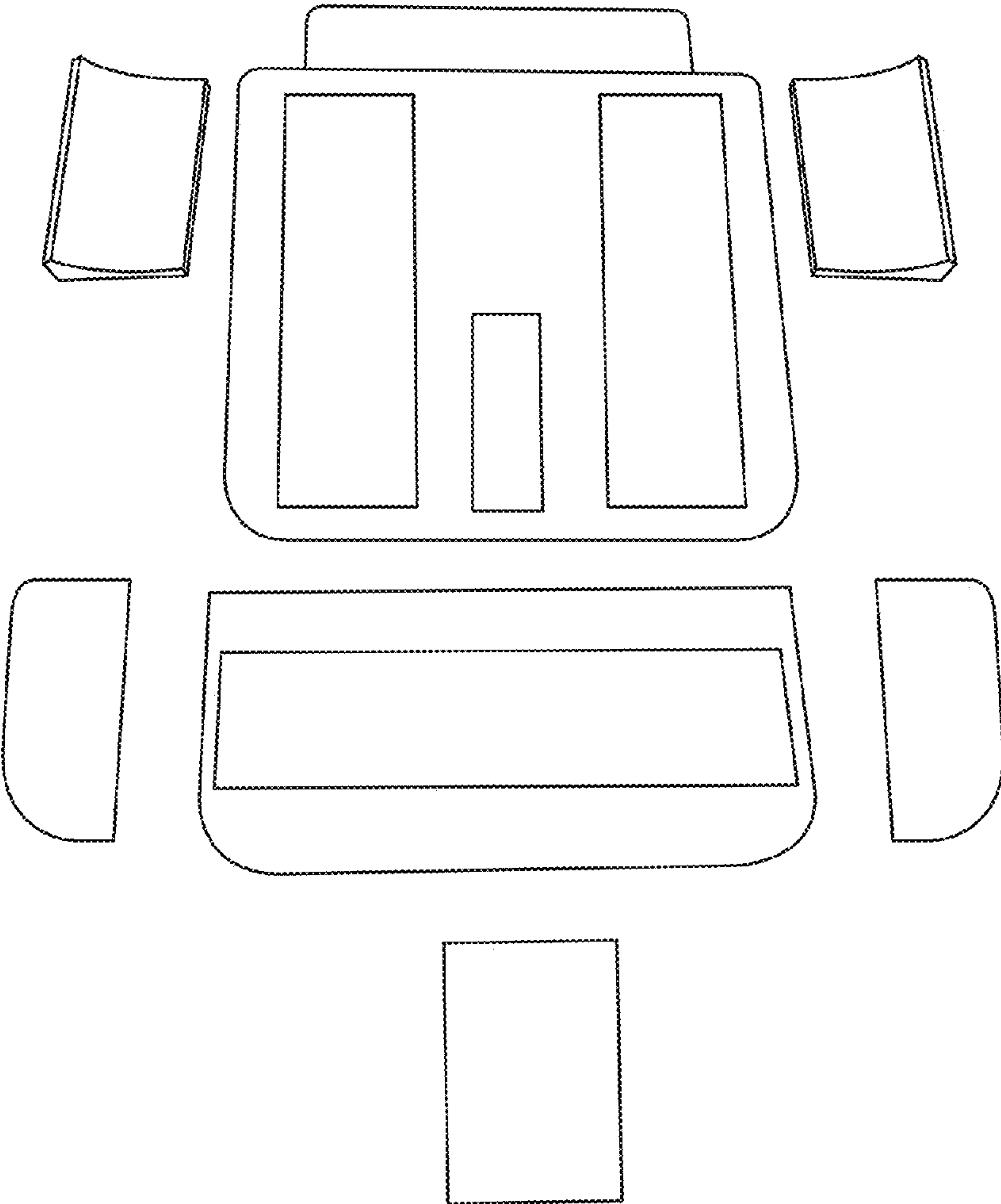


FIG. 2

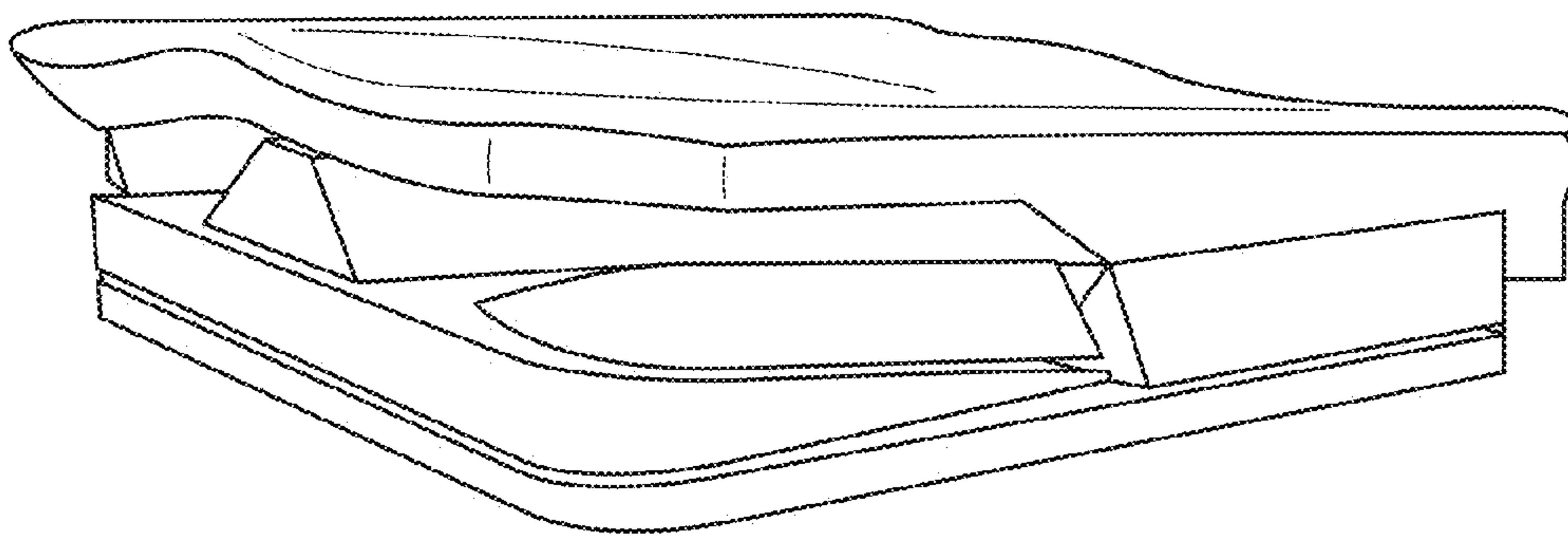


FIG. 3