

US00D766024S

(12) **United States Design Patent** (10) **Patent No.:** **US D766,024 S**  
**Brooks** (45) **Date of Patent:** **\*\* Sep. 13, 2016**

- (54) **WIDTH VARIABLE SHELF**
- (71) Applicant: **Christopher Brooks**, Cumberland, RI (US)
- (72) Inventor: **Christopher Brooks**, Cumberland, RI (US)
- (73) Assignee: **Plastics Plus, Inc.**, Cumberland, RI (US)
- (\*\*) Term: **14 Years**
- (21) Appl. No.: **29/474,733**
- (22) Filed: **Jan. 21, 2015**
- (51) **LOC (10) Cl.** ..... **06-06**
- (52) **U.S. Cl.**  
USPC ..... **D6/705.7**
- (58) **Field of Classification Search**  
USPC ..... D6/705.7, 705, 705.1, 705.2, 705.4, D6/705.5, 705.6  
CPC ..... A47B 57/00; A47B 57/20; A47B 57/08; A47B 57/16; A47B 57/22; A47B 45/00; A47F 5/01  
See application file for complete search history.

- D375,857 S \* 11/1996 De Blois ..... D6/705.7
- D383,339 S \* 9/1997 Grosfillex ..... D6/705.7
- D385,444 S \* 10/1997 Welch ..... D6/705.7
- 6,526,897 B1 \* 3/2003 Ondrasik ..... A47F 5/01  
108/107
- 7,246,711 B1 \* 7/2007 Metcalf ..... A47B 45/00  
211/106.01
- D588,839 S \* 3/2009 Klein ..... D6/705.6
- D593,347 S \* 6/2009 Kilpatrick ..... D6/704

\* cited by examiner

*Primary Examiner* — Susan Bennett Hattan  
*Assistant Examiner* — Rebecca Tsehaye  
(74) *Attorney, Agent, or Firm* — Robert J Doherty

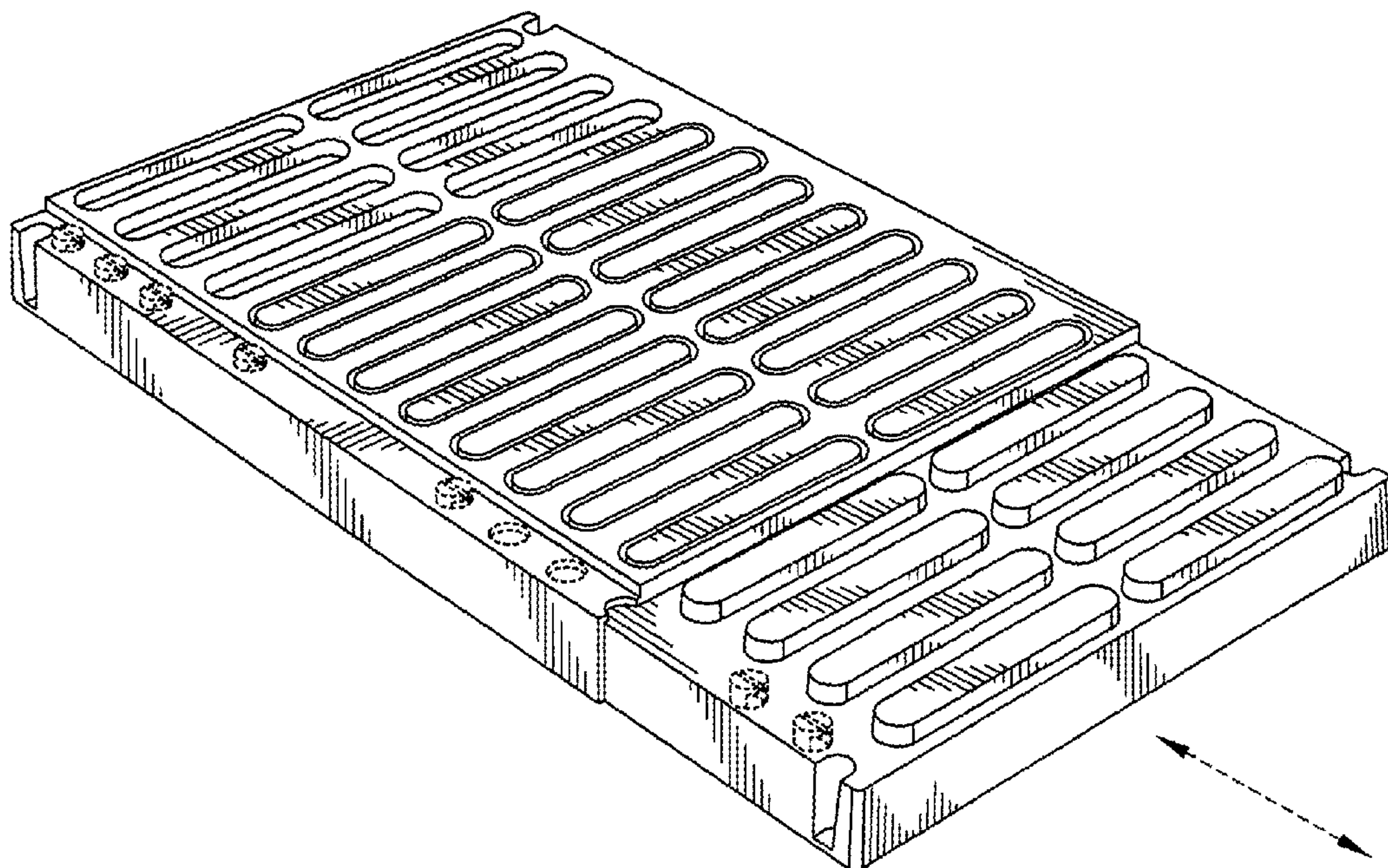
(57) **CLAIM**  
The ornamental design for a width variable shelf, as shown and described.

**DESCRIPTION**

FIG. 1 is a front perspective view of a width variable shelf showing my new design;  
FIG. 2 is a top plan view of FIG. 1;  
FIG. 3 is a bottom plan view of FIG. 1;  
FIG. 4 is a front elevation view of FIG. 1;  
FIG. 5 is a rear elevation view of FIG. 1;  
FIG. 6 is a left side elevation view of FIG. 1;  
FIG. 7 is a right side elevation view of FIG. 1; and,  
FIG. 8 is a front perspective view of FIG. 1 with the shelf elements thereof in a separated position.  
The broken line representations in FIGS. 1 through 8 depict portions of the width variable shelf that form no part of the design.

**1 Claim, 6 Drawing Sheets**

- (56) **References Cited**  
U.S. PATENT DOCUMENTS  
D241,297 S \* 9/1976 Maslow  
D312,545 S \* 12/1990 Cohn ..... D30/120  
D338,792 S \* 8/1993 Chap ..... D30/120  
D341,967 S \* 12/1993 Cohn ..... D6/705.7



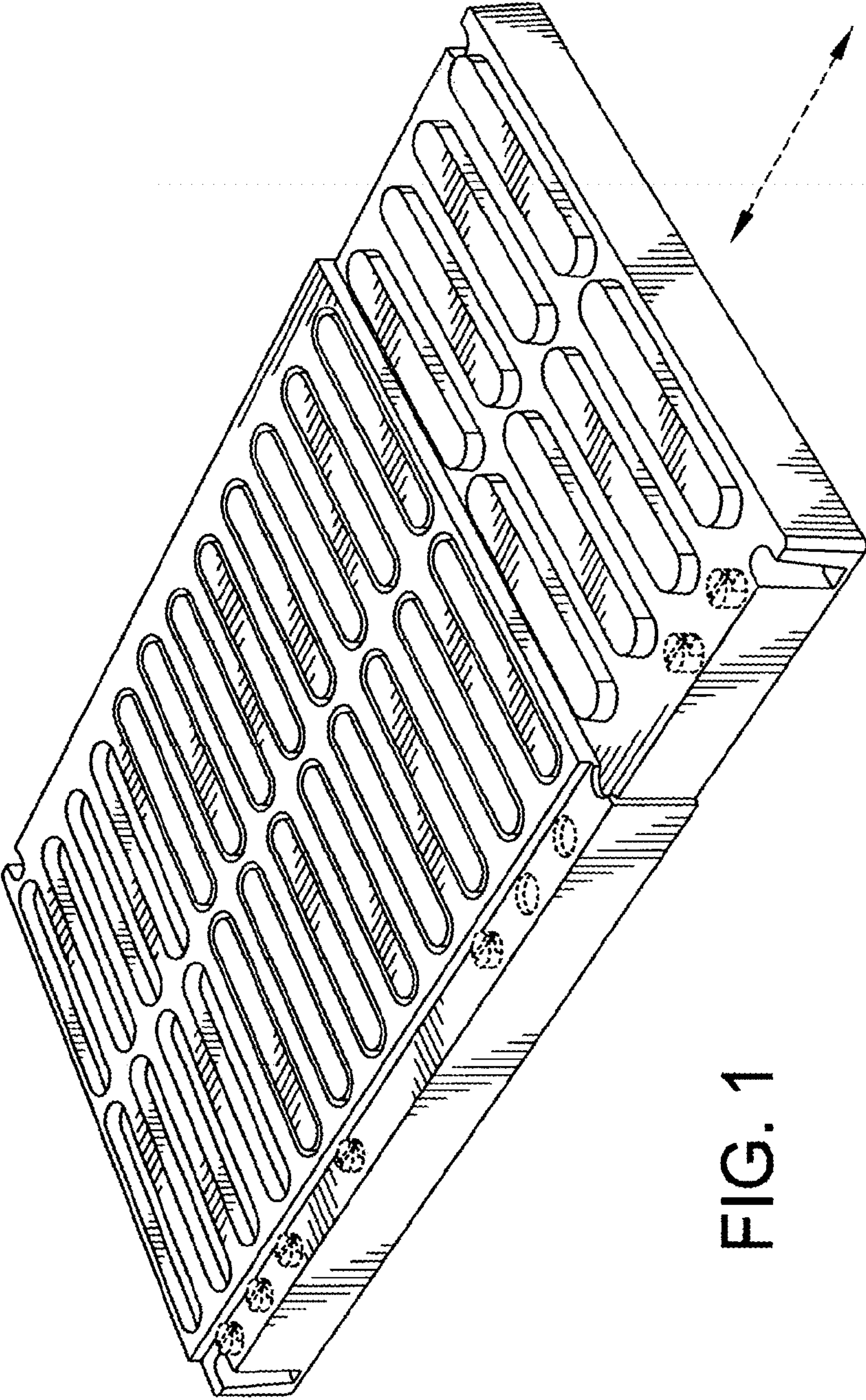


FIG. 1



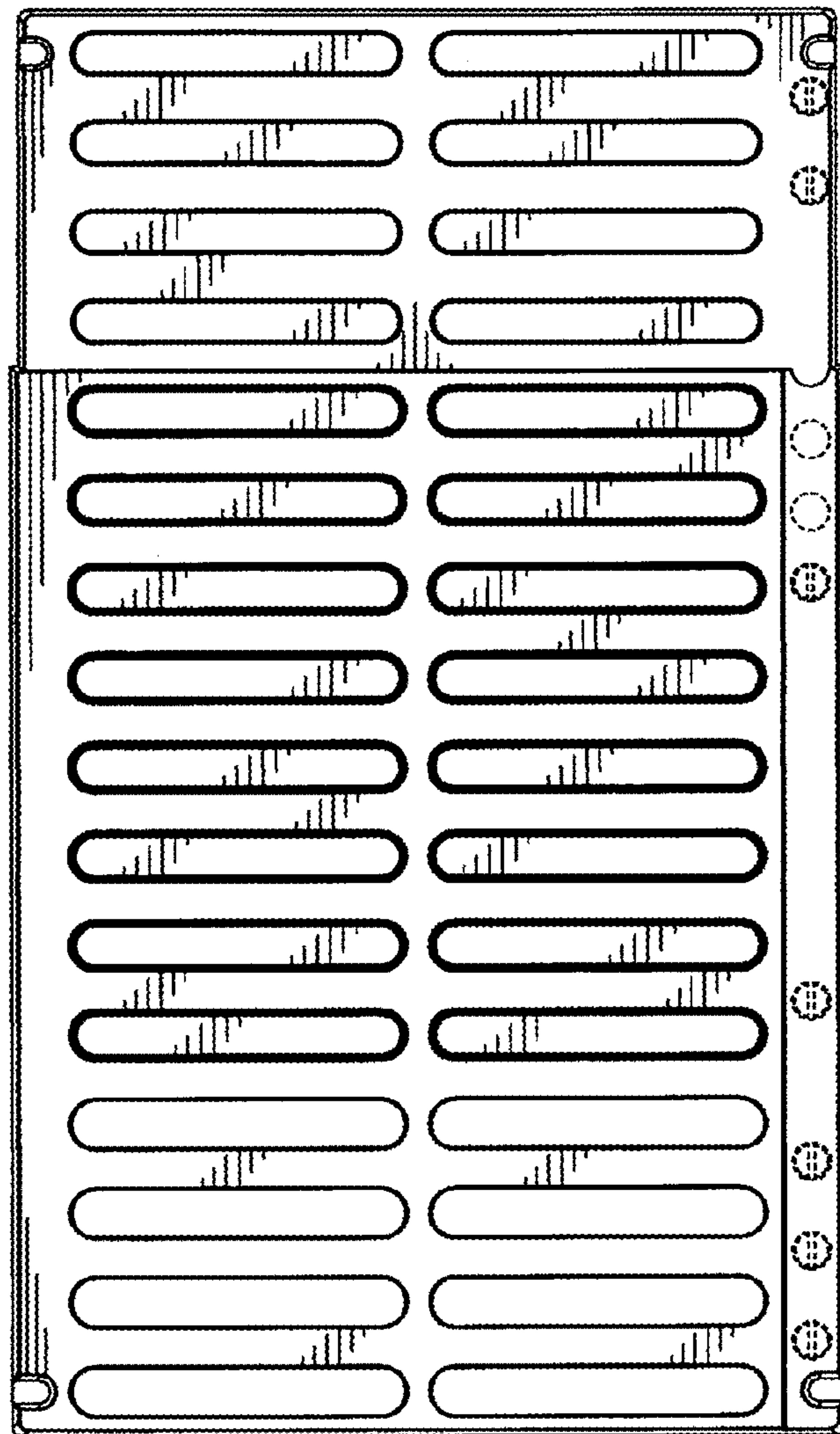


FIG. 2

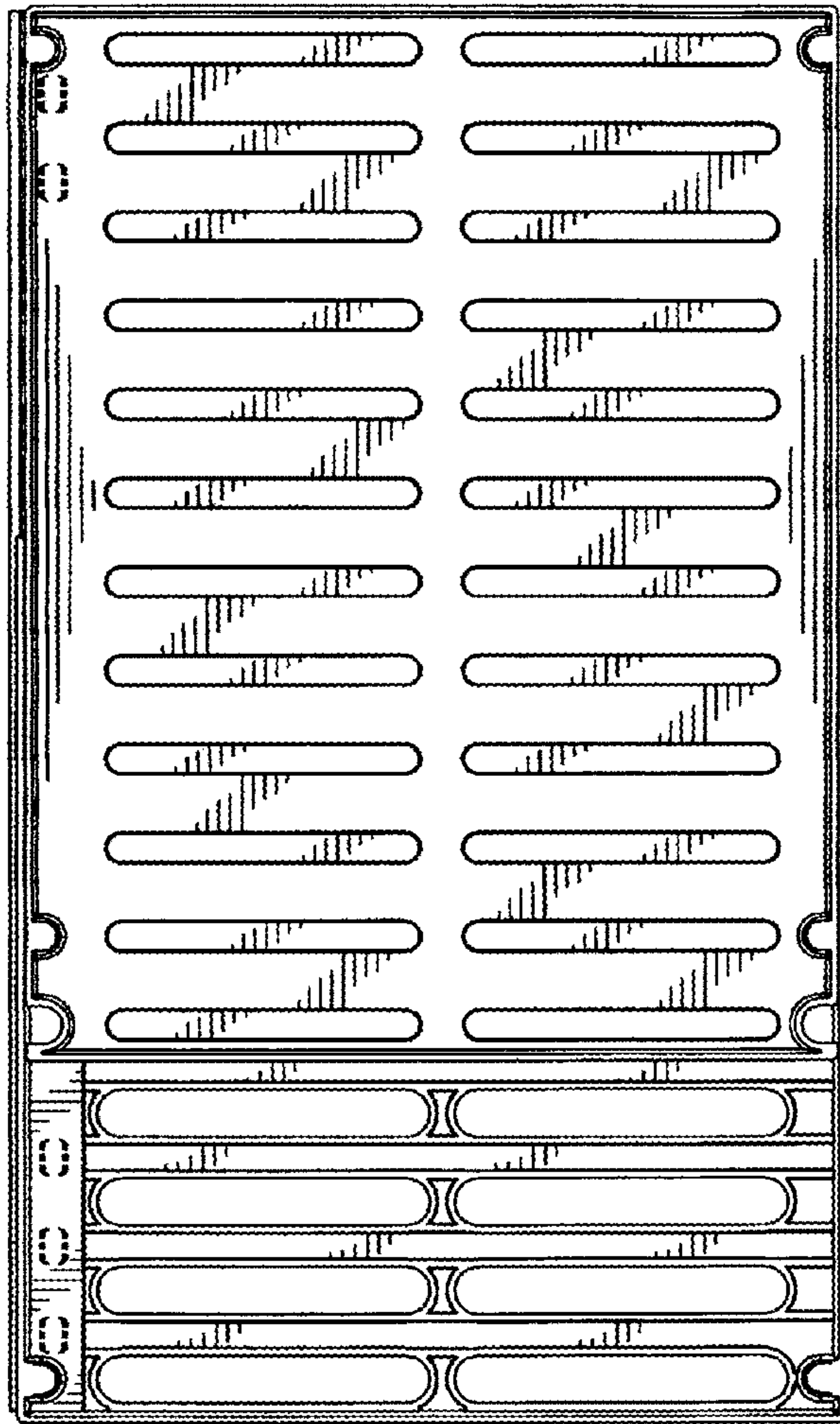


FIG. 3



FIG. 4



FIG. 5

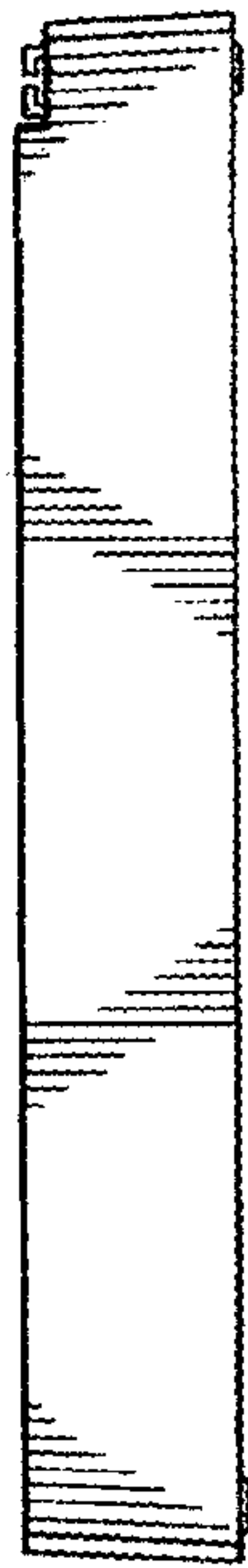


FIG. 6

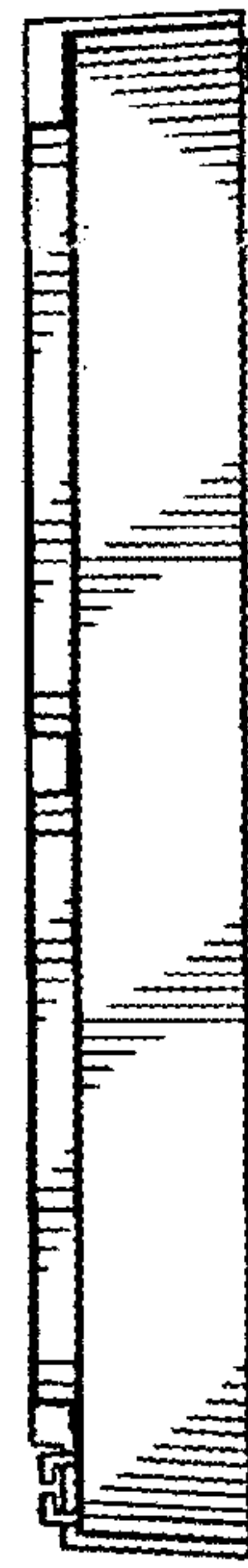


FIG. 7

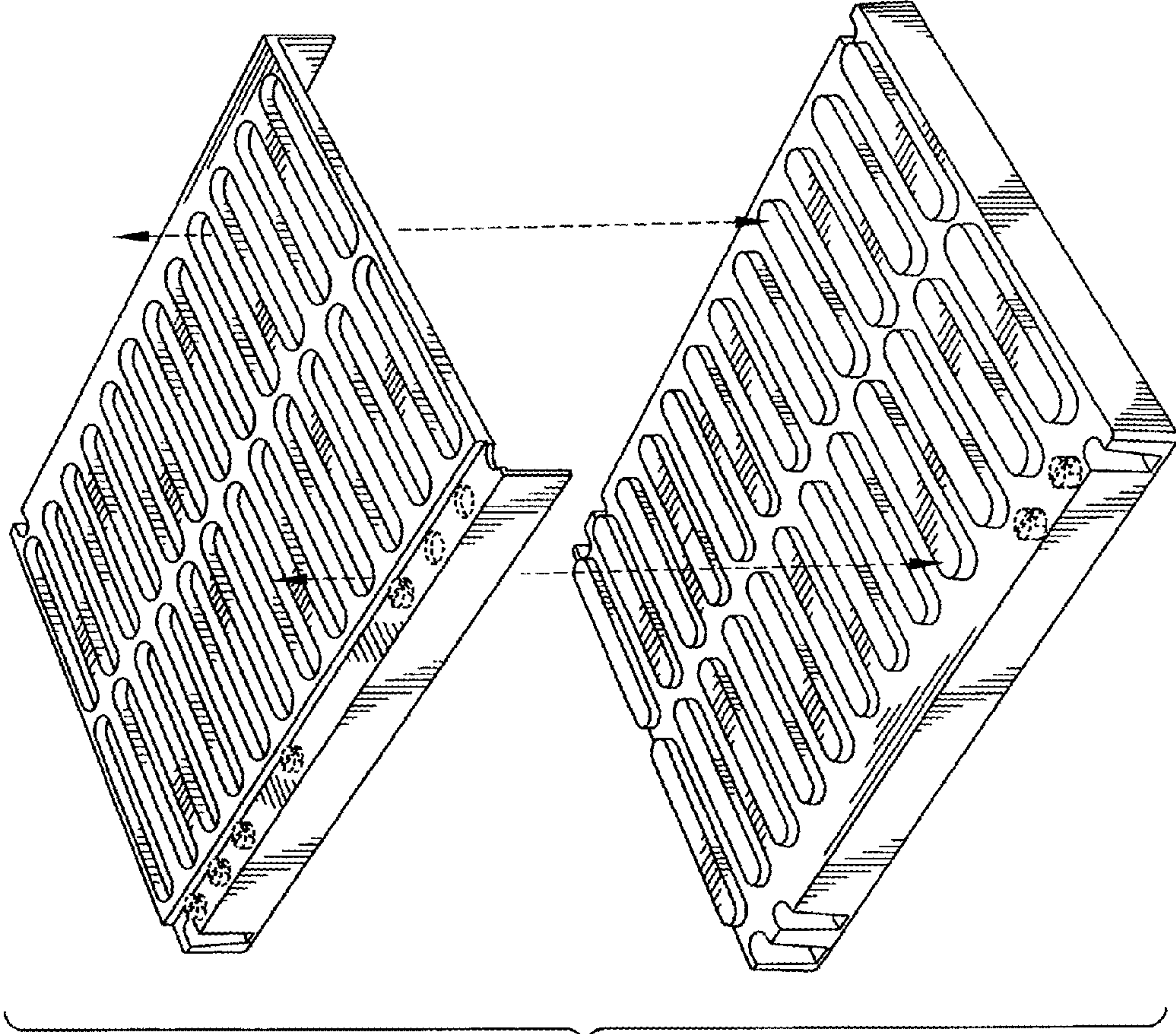


FIG. 8