

US00D766023S

(12) **United States Design Patent** (10) **Patent No.:** **US D766,023 S**
Coretti, Jr. et al. (45) **Date of Patent:** **** Sep. 13, 2016**

(54) **MERCHANDISE DISPLAY SHELF**

(71) Applicant: **B-O-F CORPORATION**, Aurora, IL (US)

(72) Inventors: **Joseph Coretti, Jr.**, Wheaton, IL (US);
Keith Kutay, Naperville, IL (US)

(73) Assignee: **B-O-F CORPORATION**, Aurora, IL (US)

(**) Term: **14 Years**

(21) Appl. No.: **29/515,315**

(22) Filed: **Jan. 21, 2015**

(51) **LOC (10) Cl.** **06-06**

(52) **U.S. Cl.**
USPC **D6/705**

(58) **Field of Classification Search**
USPC D6/705-706, 672-673, 675; D7/550.1,
D7/553.1, 553.2; 211/59.4, 59.2
CPC B65D 21/08; B65D 81/3813; B65D 1/34;
A47B 87/0276
See application file for complete search history.

(56) **References Cited**

U.S. PATENT DOCUMENTS

4,436,215	A *	3/1984	Kleinert	B65D 25/06 220/533
D369,708	S *	5/1996	Breen	D6/515
D465,332	S *	11/2002	Brown	D3/304
D485,725	S *	1/2004	Real	D6/629
RE38,517	E *	5/2004	Pfeiffer	B65G 13/12 193/35 R
D496,179	S *	9/2004	Sjoberg	D6/675
D541,563	S *	5/2007	LaBonia, Jr.	D6/705
D542,055	S *	5/2007	Wilenius	D6/705
D654,734	S *	2/2012	Snider	D6/705.6
D684,404	S *	6/2013	Hertaus	D6/705

(Continued)

Primary Examiner — Rosemary K Tarca

Assistant Examiner — James Thorn, Sr.

(74) *Attorney, Agent, or Firm* — Marshall, Gerstein & Borun LLP

(57) **CLAIM**

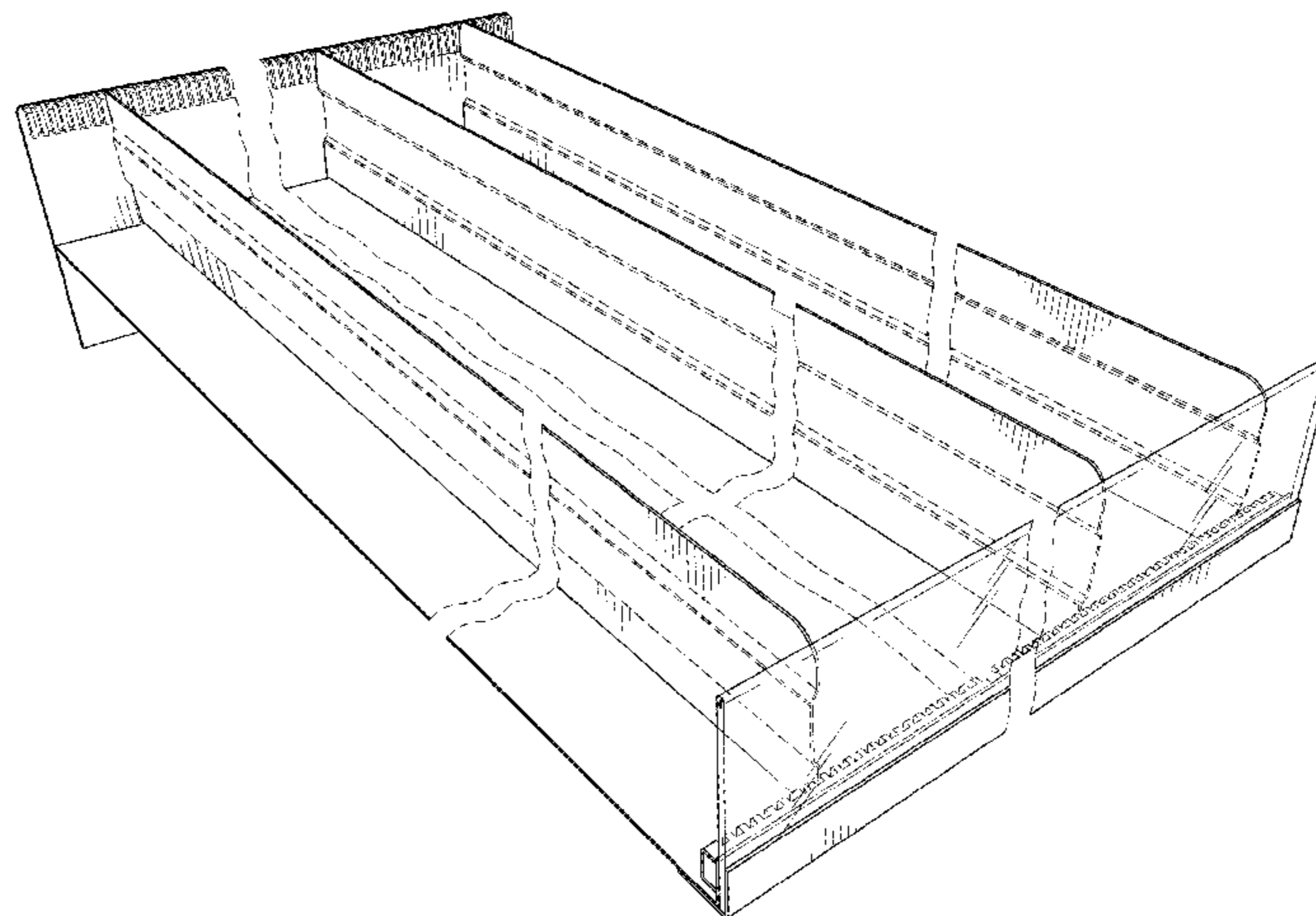
The ornamental design for a merchandise display shelf, as shown and described.

DESCRIPTION

FIG. 1 is a perspective view of the merchandise display shelf according to a first embodiment the present invention; FIG. 2 is a front view of the merchandise display shelf shown in FIG. 1; FIG. 3 is a rear view of the merchandise display shelf shown in FIG. 1; FIG. 4 is a right side view of the merchandise display shelf shown in FIG. 1; FIG. 5 is a left side view of the merchandise display shelf shown in FIG. 1; FIG. 6 is a top view of the merchandise display shelf shown in FIG. 1; FIG. 7 is a perspective view of the merchandise display shelf according to a second embodiment the present invention; FIG. 8 is a front view of the merchandise display shelf shown in FIG. 7; FIG. 9 is a rear view of the merchandise display shelf shown in FIG. 7; FIG. 10 is a right side view of the merchandise display shelf shown in FIG. 7; FIG. 11 is a left side view of the merchandise display shelf shown in FIG. 7; and, FIG. 12 is a top view of the merchandise display shelf shown in FIG. 7.

The straight broken lines extending along the merchandise channel dividers in the figures are used to represent subject matter that forms no part of the claimed design. The merchandise display shelf is shown with a symbolic break in its length and width. The appearance of any portion of the article between the break lines forms no part of the claimed design. The parallel diagonal shading lines in FIGS. 1 and 2 at the front of the merchandise display shelf indicate transparency.

1 Claim, 10 Drawing Sheets



(56)

References Cited

U.S. PATENT DOCUMENTS

D697,744 S *	1/2014	Lipper McCauley	D6/706	2014/0048538 A1*	2/2014	Sabounjian	B65B 5/08 220/486
D706,562 S *	6/2014	Kim	D6/705.7	2015/0053631 A1*	2/2015	Hardy	A47F 1/126 211/59.3
D713,693 S *	9/2014	Tsai	D7/600.1	2015/0114918 A1*	4/2015	Nickell	B65G 13/11 211/59.2
D723,593 S *	3/2015	Ryu	D15/89	2015/0208830 A1*	7/2015	Hardy	A47F 1/126 211/59.3
D734,101 S *	7/2015	Greenspon	D7/600.1	2015/0223620 A1*	8/2015	Nilsson	A47B 57/58 211/59.4
D744,264 S *	12/2015	Oehler	D6/705	2016/0000235 A1*	1/2016	Hardy	A47F 1/126 211/59.3
D750,442 S *	3/2016	Tiemann	D7/600.1	2016/0101899 A1*	4/2016	Weidner	B65D 25/04
D752,369 S *	3/2016	Coleman	D6/675					
2004/0004420 A1*	1/2004	Pine	A47B 88/20 312/348.3					
2012/0012590 A1*	1/2012	Earp	A47B 81/005 220/529					

* cited by examiner

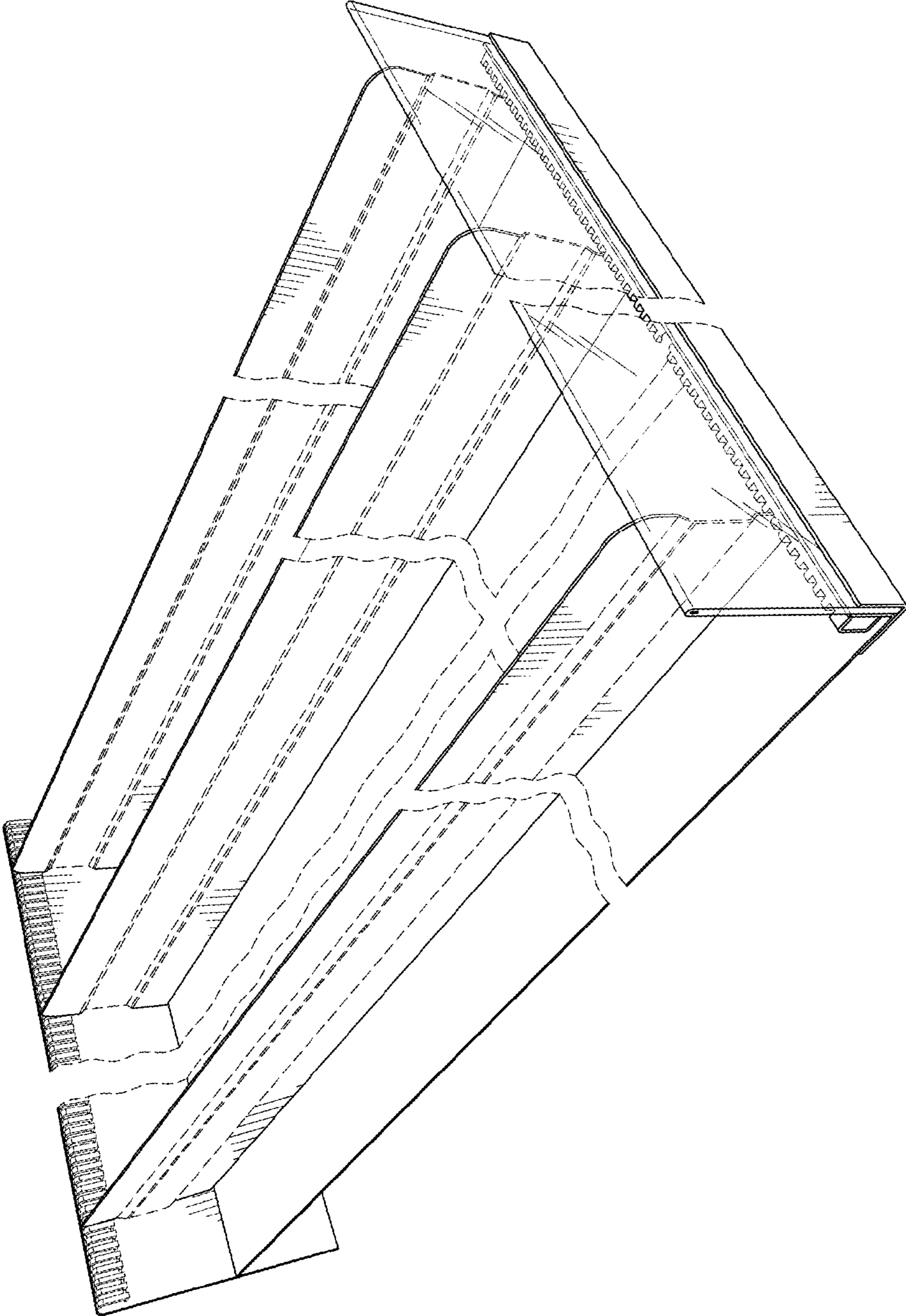


FIG. 1

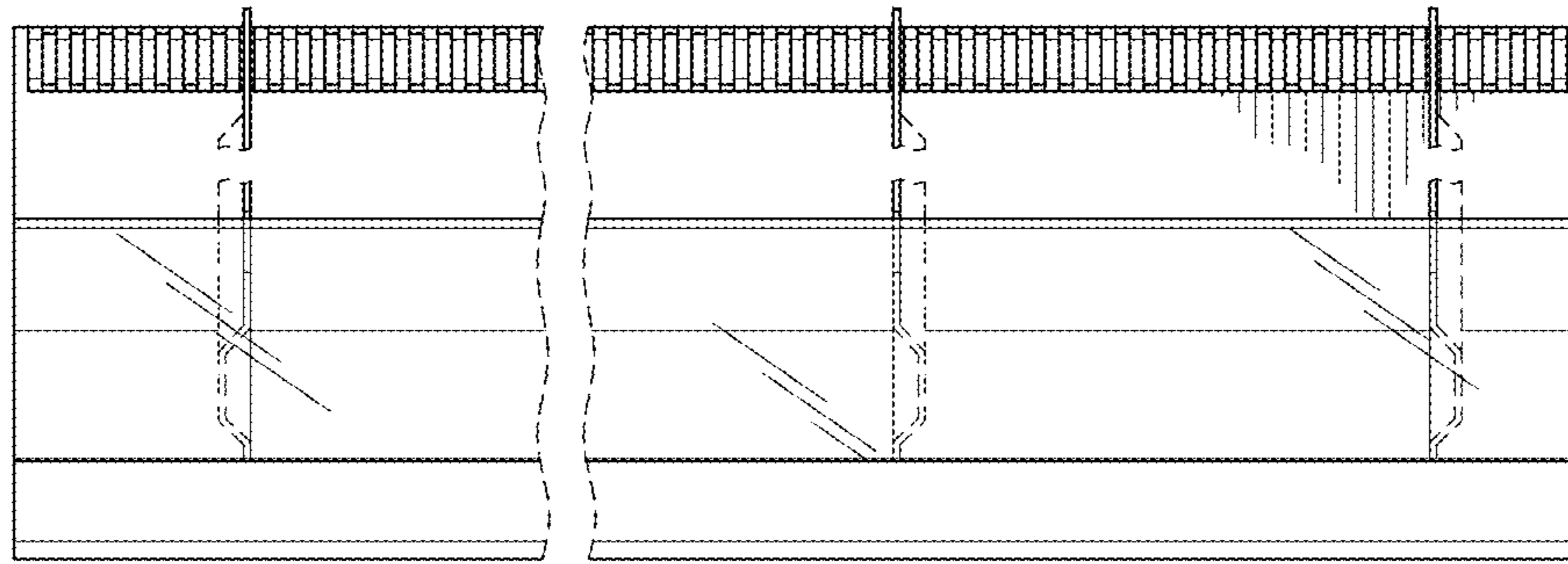


FIG. 2

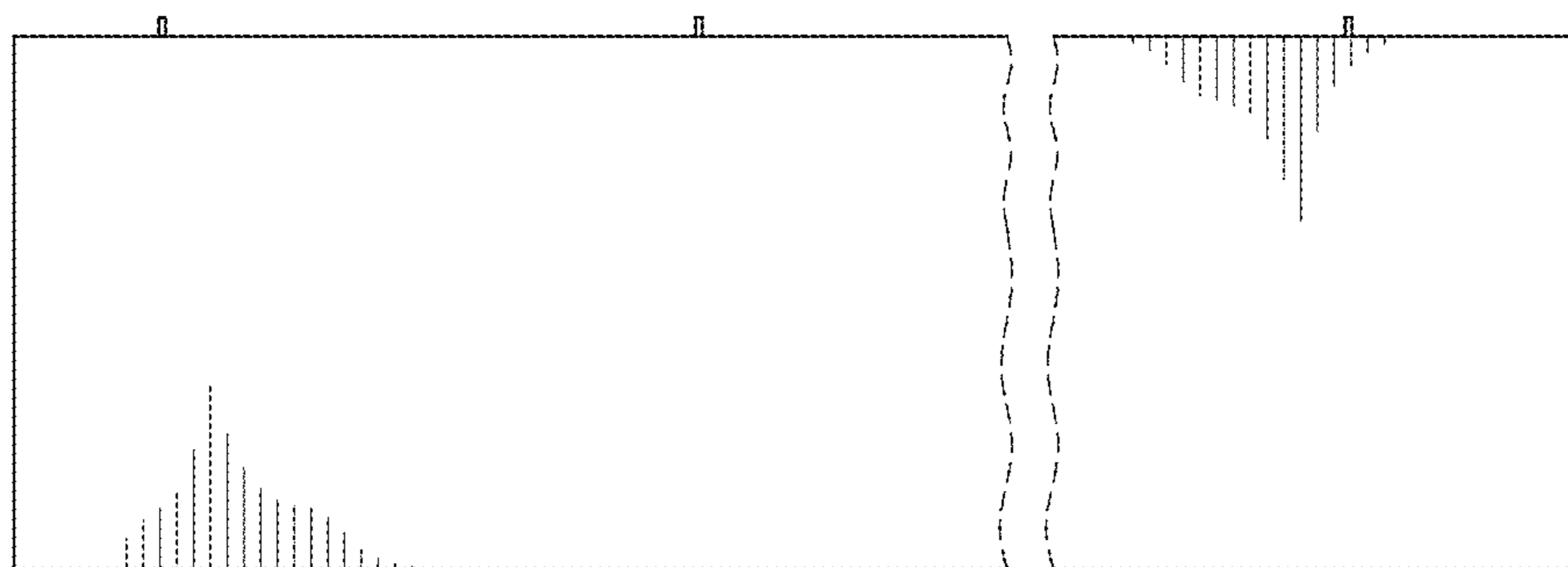


FIG. 3

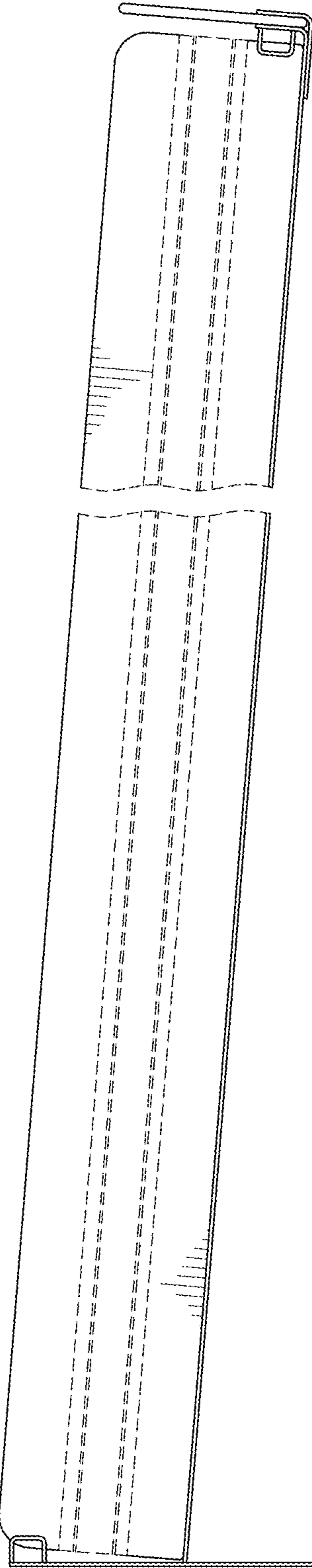


FIG. 4

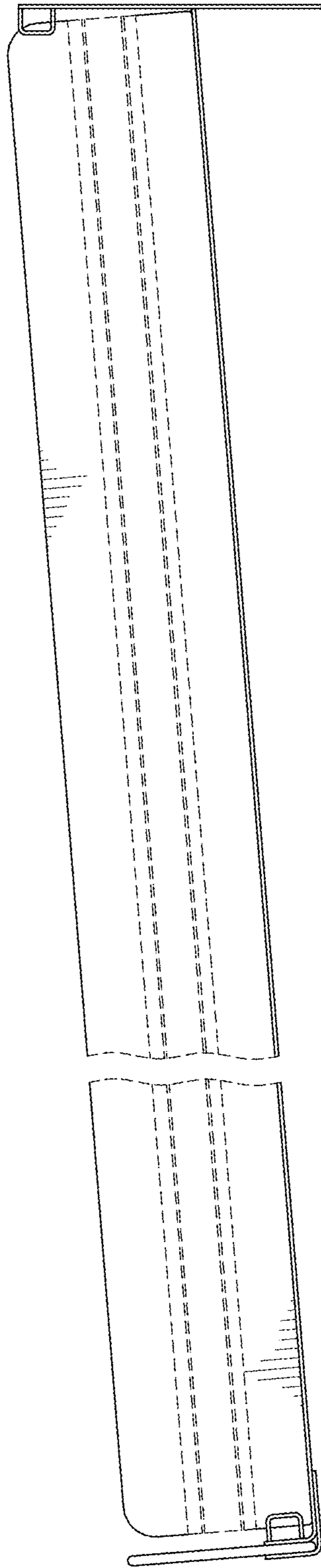


FIG. 5

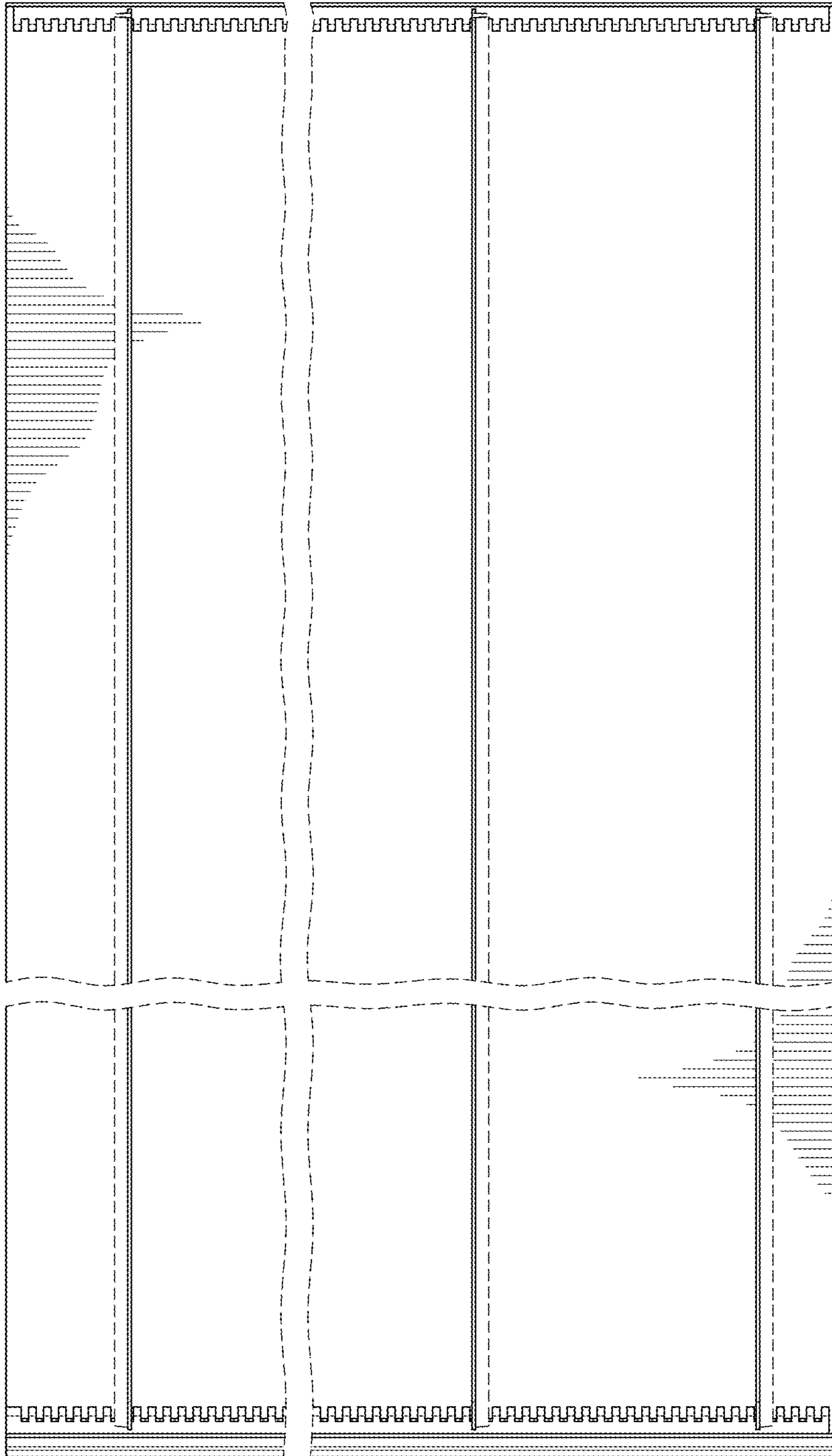


FIG. 6

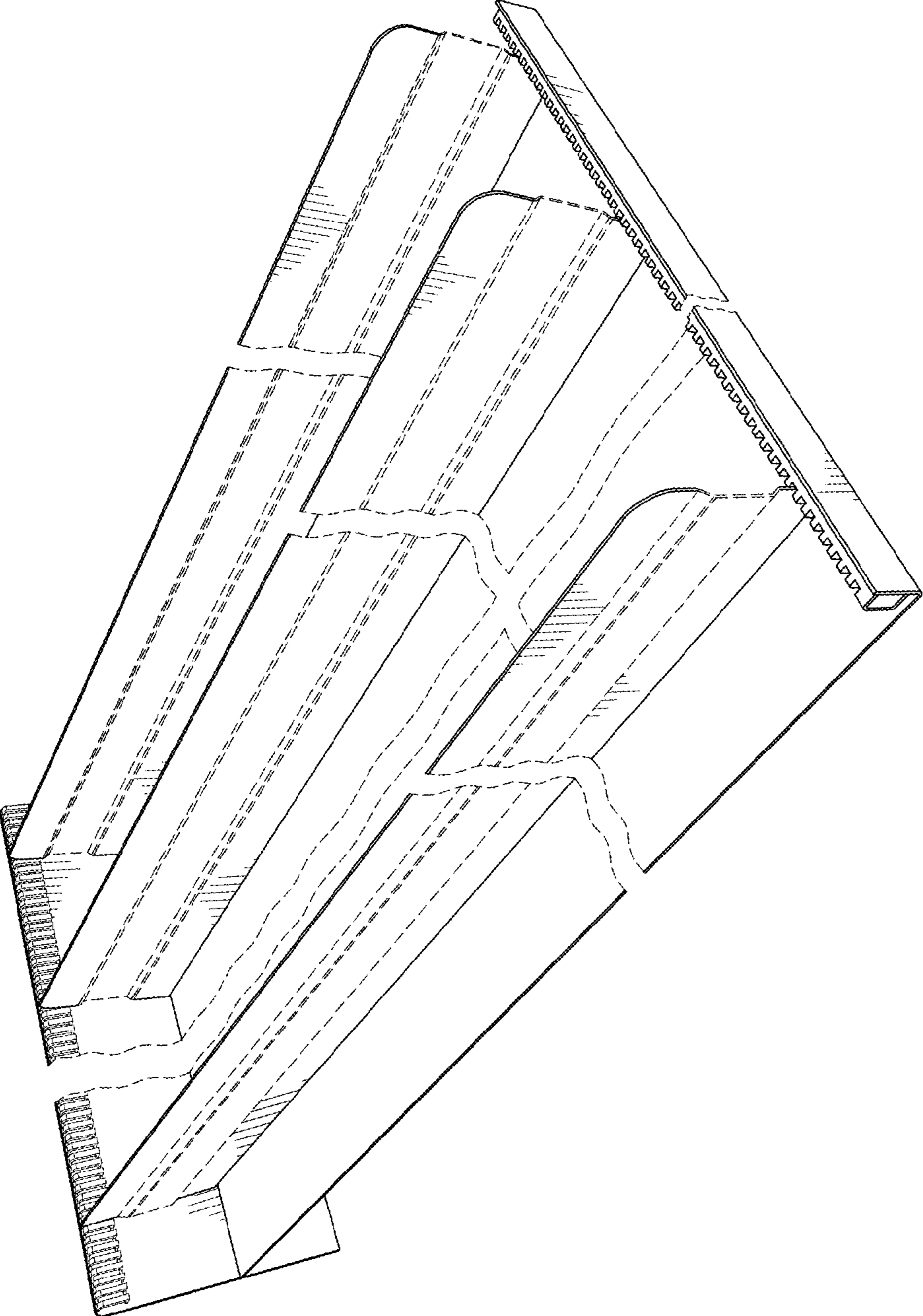


FIG. 7

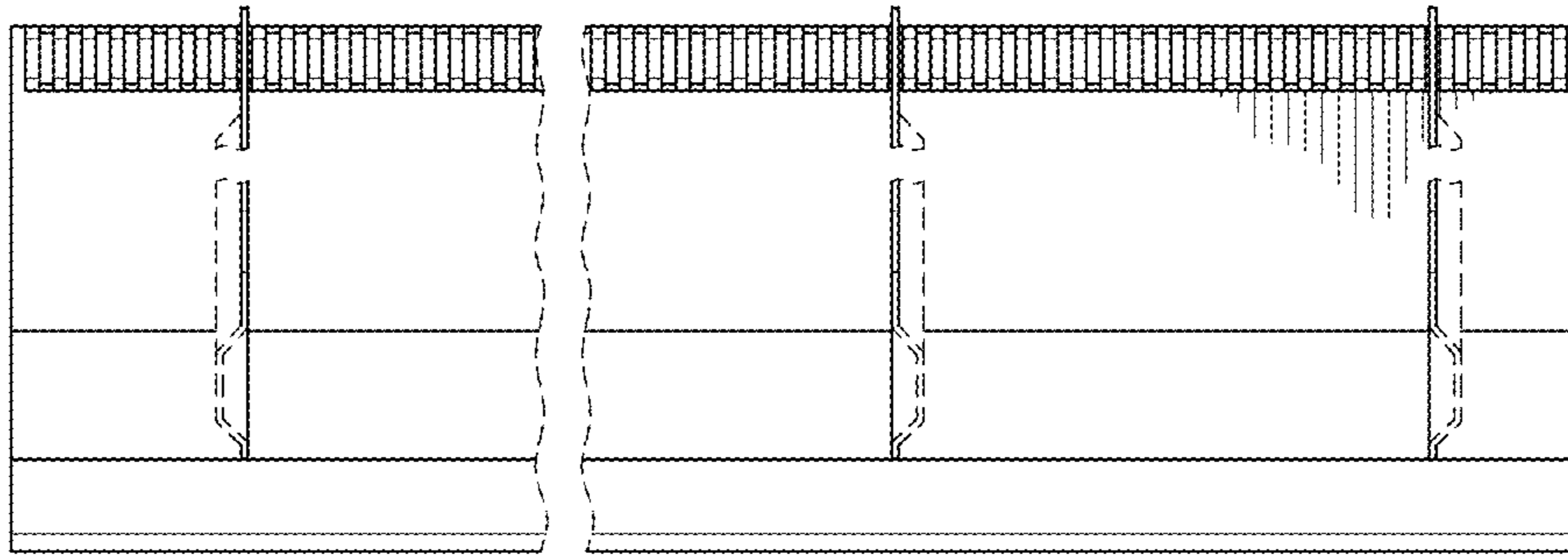


FIG. 8

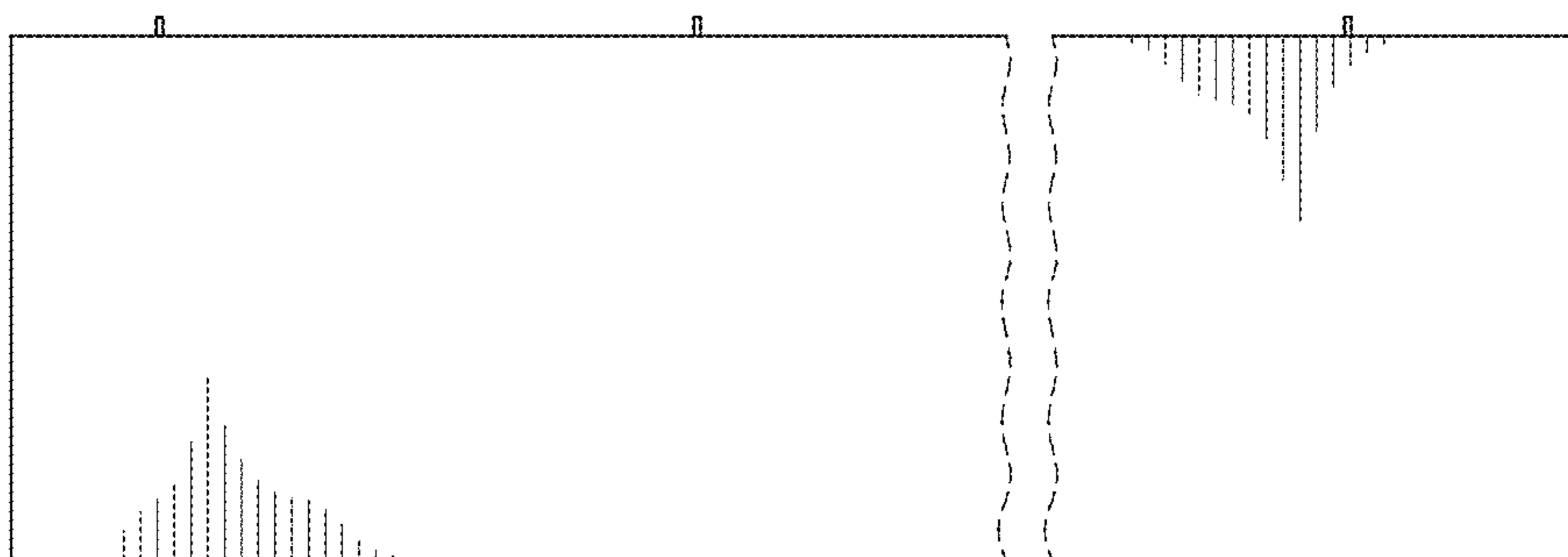


FIG. 9

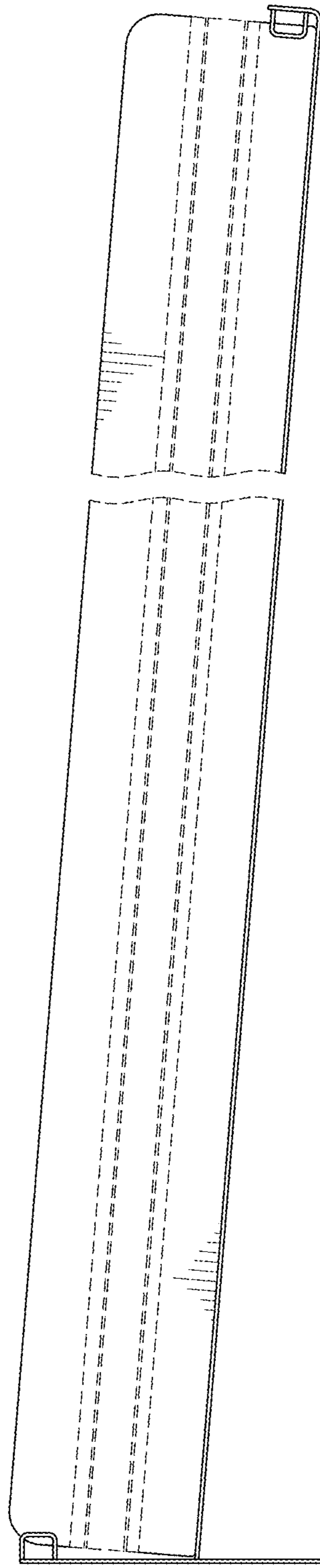


FIG. 10

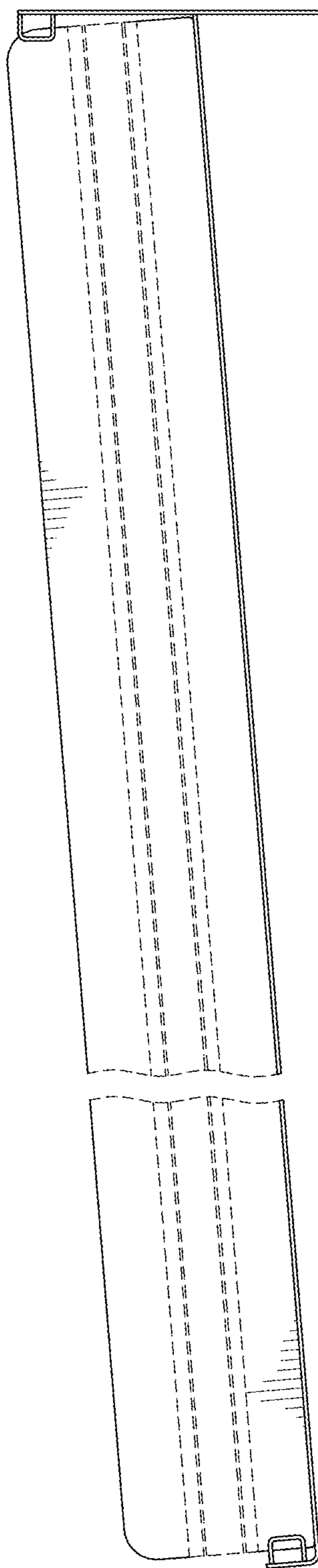


FIG. 11

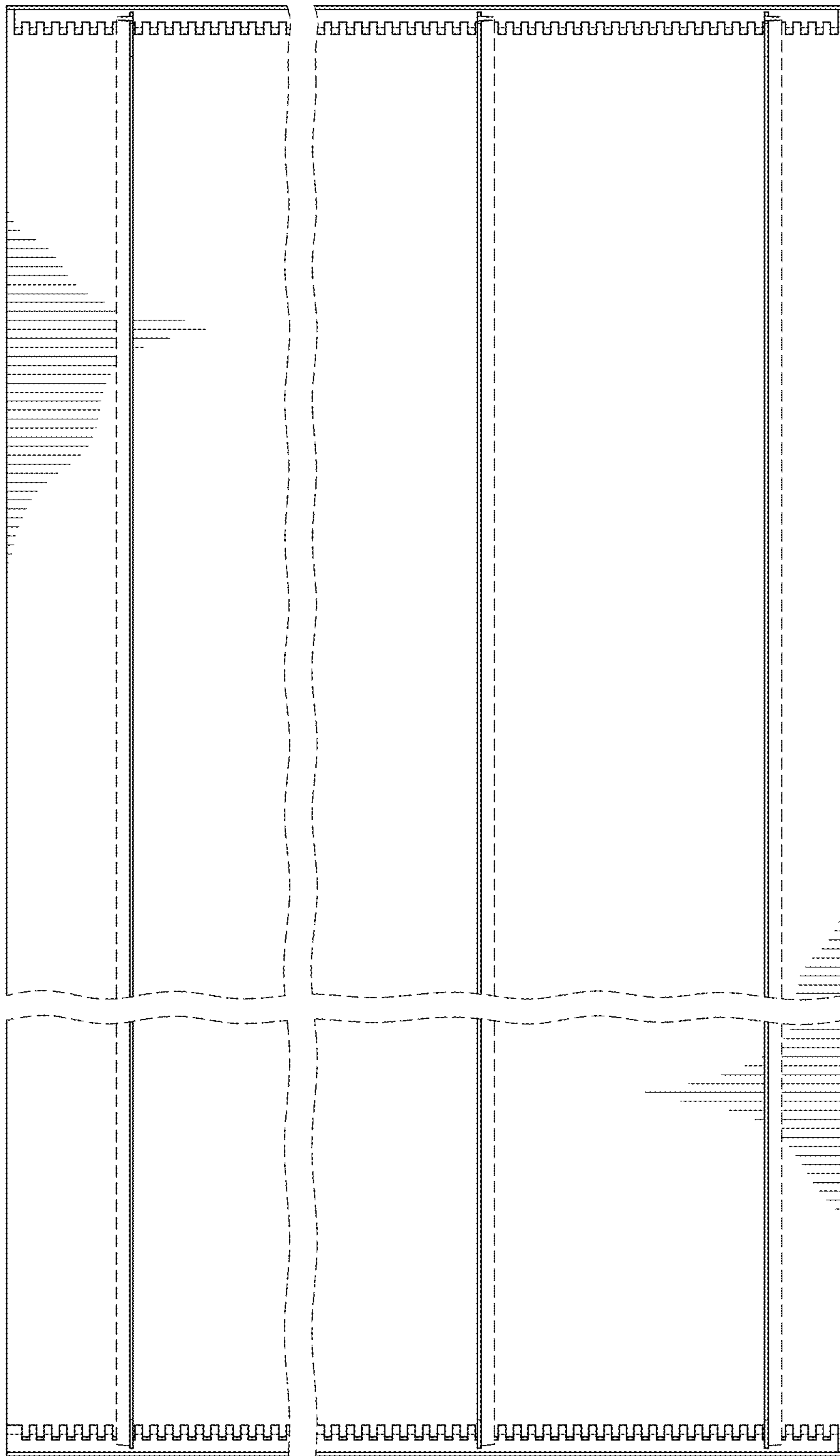


FIG. 12