



US00D766022S

(12) **United States Design Patent** (10) **Patent No.:** **US D766,022 S**
Nelson (45) **Date of Patent:** **** Sep. 13, 2016**

(54) **SHELF WITH DIVIDER**
(71) Applicant: **Chris Nelson**, San Dimas, CA (US)
(72) Inventor: **Chris Nelson**, San Dimas, CA (US)
(**) Term: **14 Years**
(21) Appl. No.: **29/513,612**
(22) Filed: **Jan. 2, 2015**
(51) **LOC (10) Cl.** **06-06**
(52) **U.S. Cl.**
USPC **D6/705; D6/706; D6/705.6**
(58) **Field of Classification Search**
USPC D6/705, 706, 702, 705.7, 312, 324, 392,
D6/574, 705.6; D8/380-381, 354;
211/184, 174, 187; 108/60, 107;
248/250
CPC A47F 5/00; A47F 5/005; A47B 57/48;
A47B 57/04; A47B 57/00; A47B 47/00;
A47B 96/022
See application file for complete search history.

D664,794 S 8/2012 Leveto
D674,155 S 1/2013 Greene et al.
D677,094 S * 3/2013 Mansor D6/566
D687,649 S * 8/2013 Kozak D6/705.6
D698,589 S * 2/2014 Troyner D6/705.6
D701,408 S * 3/2014 Mason D6/705.7
D702,541 S * 4/2014 Mansor D8/381
D706,122 S * 6/2014 Cayouette D8/381
D707,994 S 7/2014 Le
D716,581 S * 11/2014 Davis D6/574
D732,864 S * 6/2015 Clouse D6/705.7
D756,168 S * 5/2016 Tsai D6/705.6
2005/0127017 A1* 6/2005 Kessel A47B 57/06
211/187
2008/0142463 A1* 6/2008 Johnson A47B 57/487
211/187

(Continued)

Primary Examiner — Rosemary K Tarcza
Assistant Examiner — James Thorn, Sr.
(74) *Attorney, Agent, or Firm* — Kirk A. Buhler; Buhler & Associates

(57) **CLAIM**
The ornamental design for a shelf with divider, as shown and described.

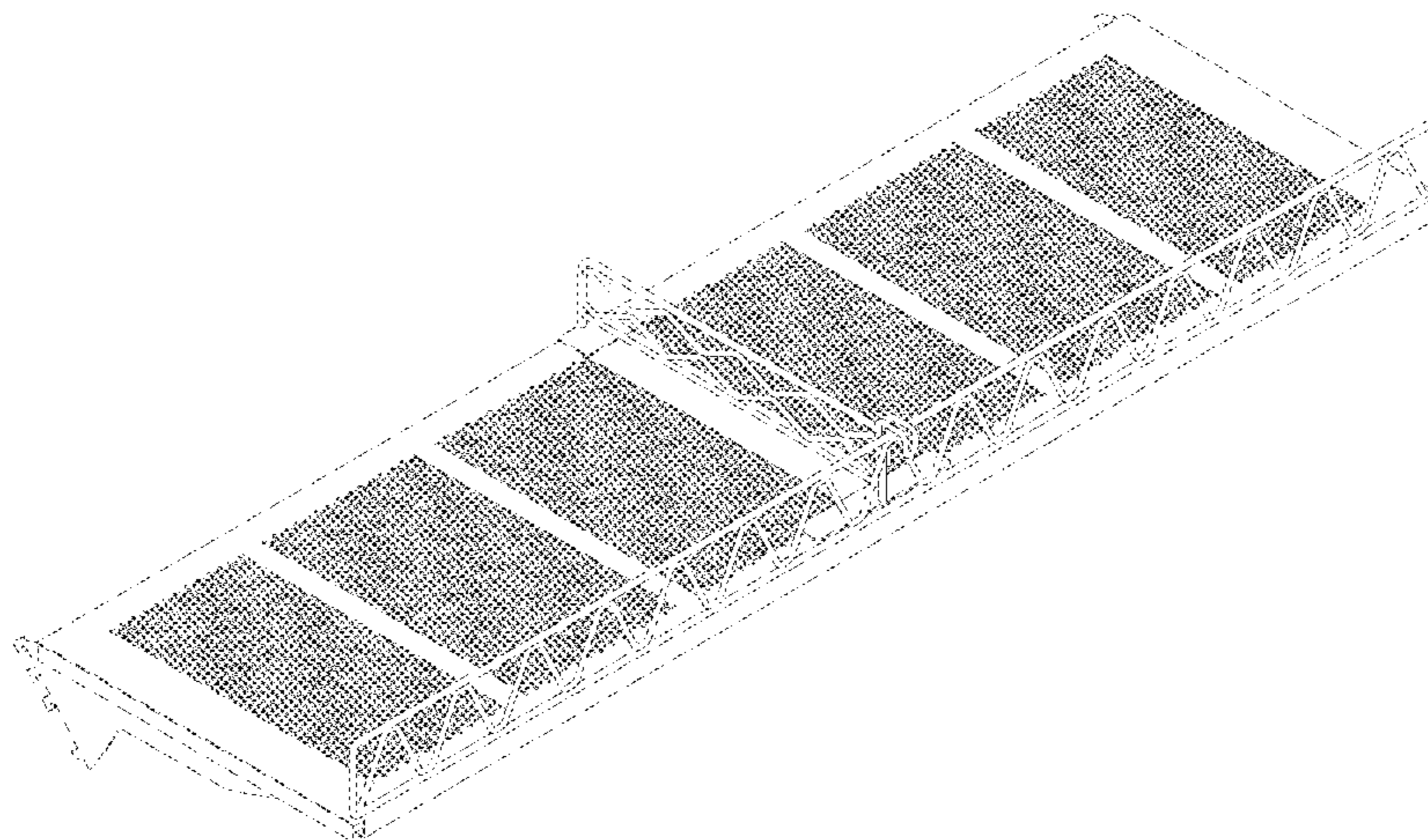
(56) **References Cited**
U.S. PATENT DOCUMENTS

D256,301 S 8/1980 Cutts
D265,703 S 8/1982 Zaro
D275,434 S 9/1984 Taub
D285,152 S 8/1986 Smith
D340,339 S 10/1993 Kean et al.
5,706,737 A 1/1998 Whitehead et al.
D427,824 S 7/2000 Osburn et al.
D482,913 S 12/2003 Lingvall
D507,915 S 8/2005 Nagel
D527,559 S * 9/2006 Remmers D6/566
D548,066 S * 8/2007 Welch D8/381
D549,506 S * 8/2007 Stacy D6/574
D557,964 S * 12/2007 Hoernig D6/549
D589,287 S * 3/2009 Welsch D6/705.6
D621,193 S * 8/2010 Bauchet D6/574
7,950,537 B1 * 5/2011 Goodman A47B 57/581
211/184

DESCRIPTION

FIG. 1 is a top perspective view for a shelf with divider with the divider displaced showing my new design;
FIG. 2 is a top perspective view with the divider engaged front side view thereof;
FIG. 3 is a top side view with the divider engaged thereof;
FIG. 4 is a bottom side view with the divider engaged thereof;
FIG. 5 is a left side view with the divider engaged thereof;
FIG. 6 is a right side view with the divider engaged thereof;
FIG. 7 is a front side view with the divider engaged thereof;
FIG. 8 is a rear side view with the divider engaged thereof; and,
FIG. 9 is a bottom perspective view with the divider engaged front side view thereof.

1 Claim, 6 Drawing Sheets



US D766,022 S

Page 2

(56)

References Cited

U.S. PATENT DOCUMENTS

2011/0290750 A1*	12/2011	Lim	A47B 47/00 211/153	2014/0263133 A1*	9/2014	Walker	A47F 5/005 211/184
2014/0263125 A1*	9/2014	Gonzalez	A47B 96/1408 211/134	2015/0053632 A1*	2/2015	Brinton, Jr.	A47B 96/02 211/134
				2016/0113421 A1*	4/2016	Muzyka	A47B 47/0083 211/85.26

* cited by examiner

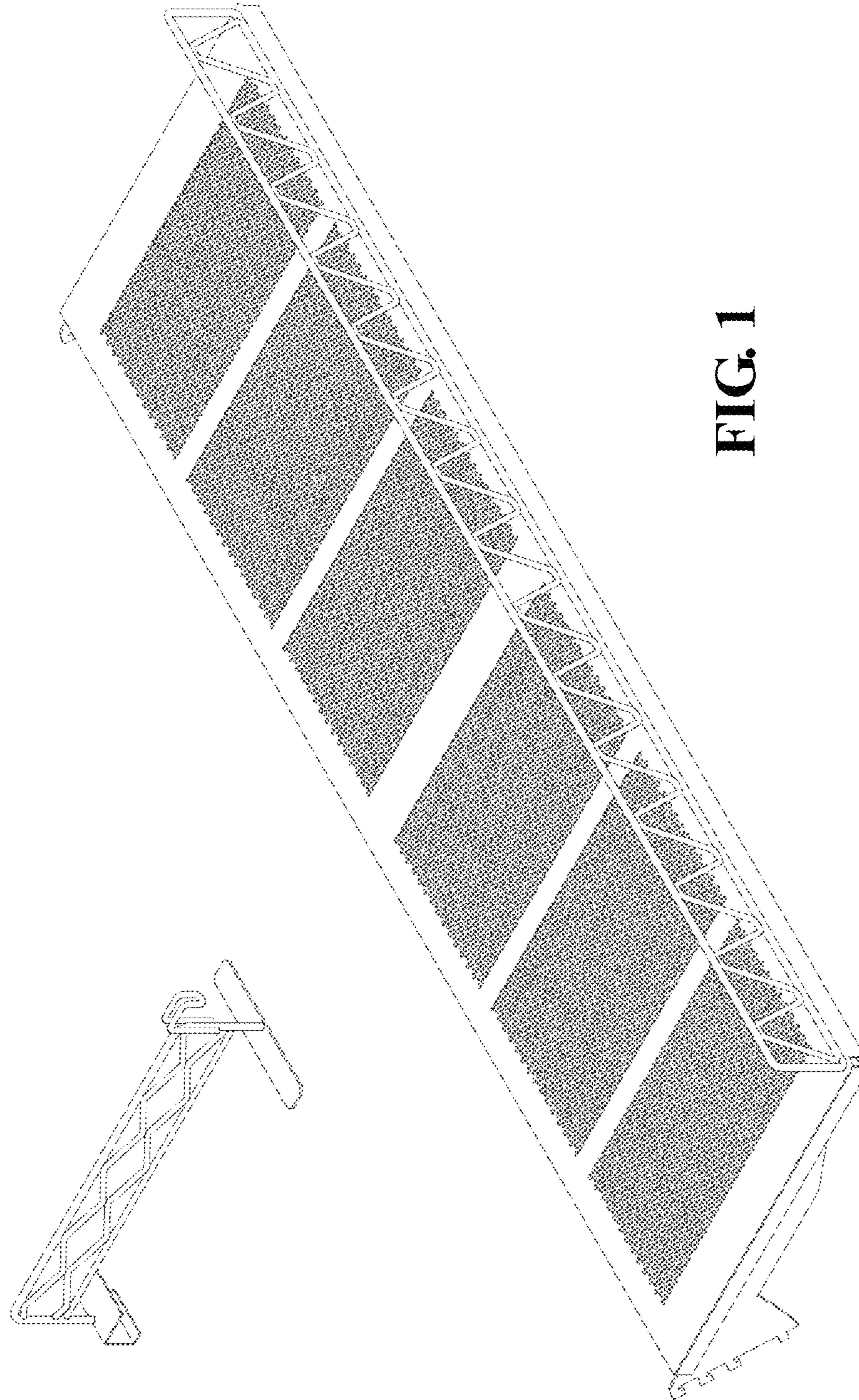


FIG. 1

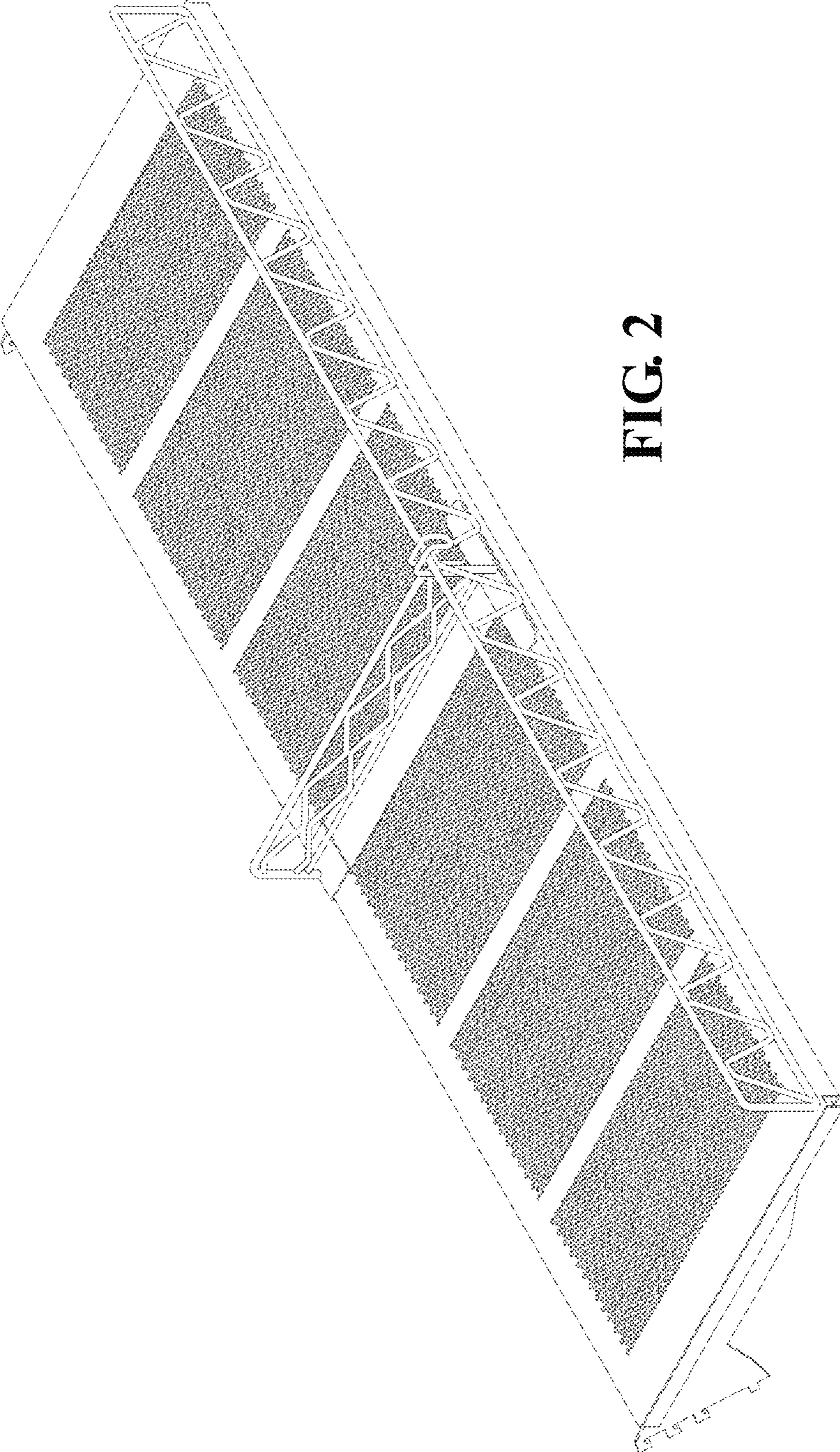


FIG. 2

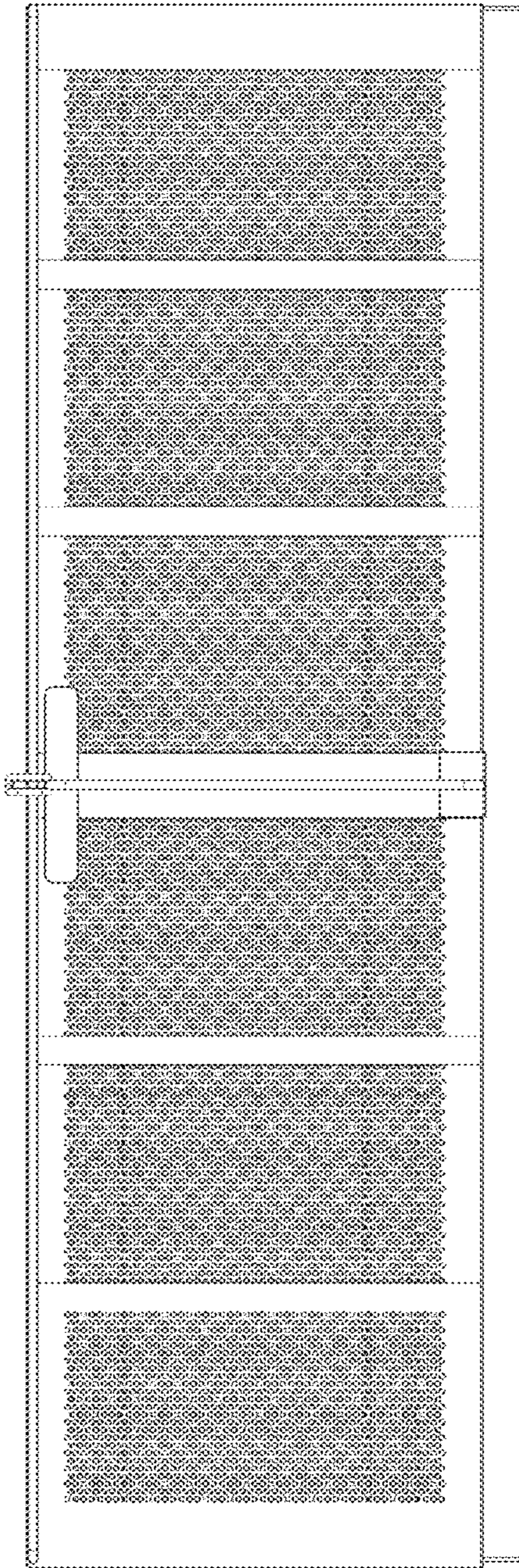


FIG. 3

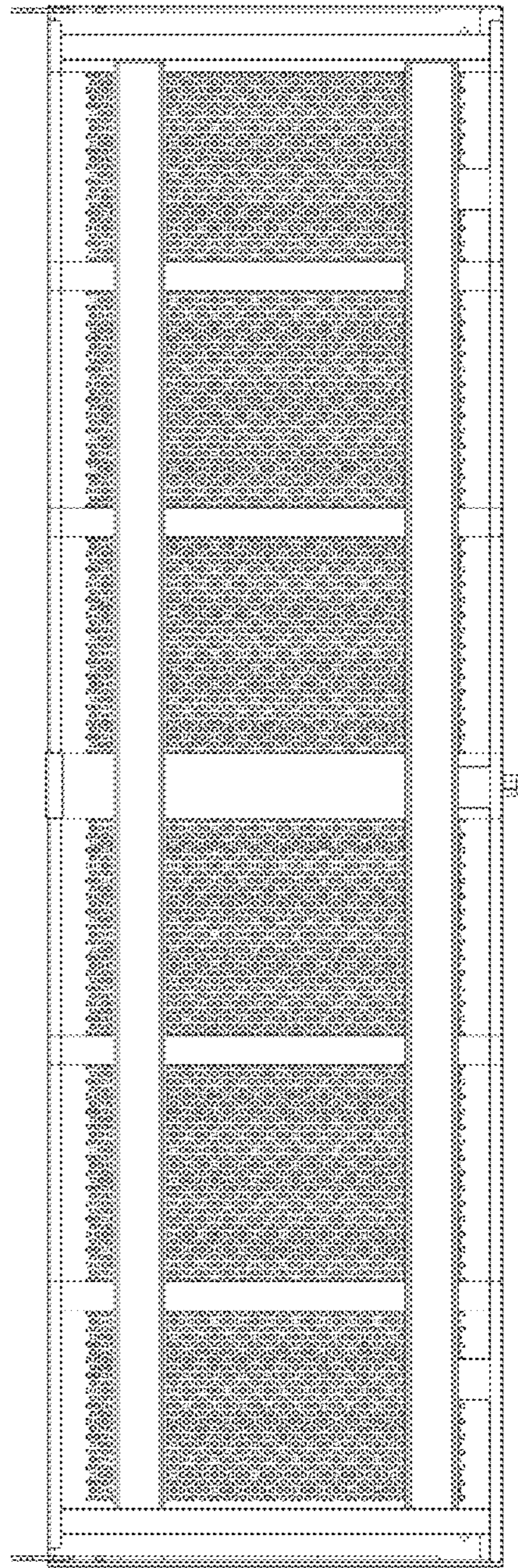
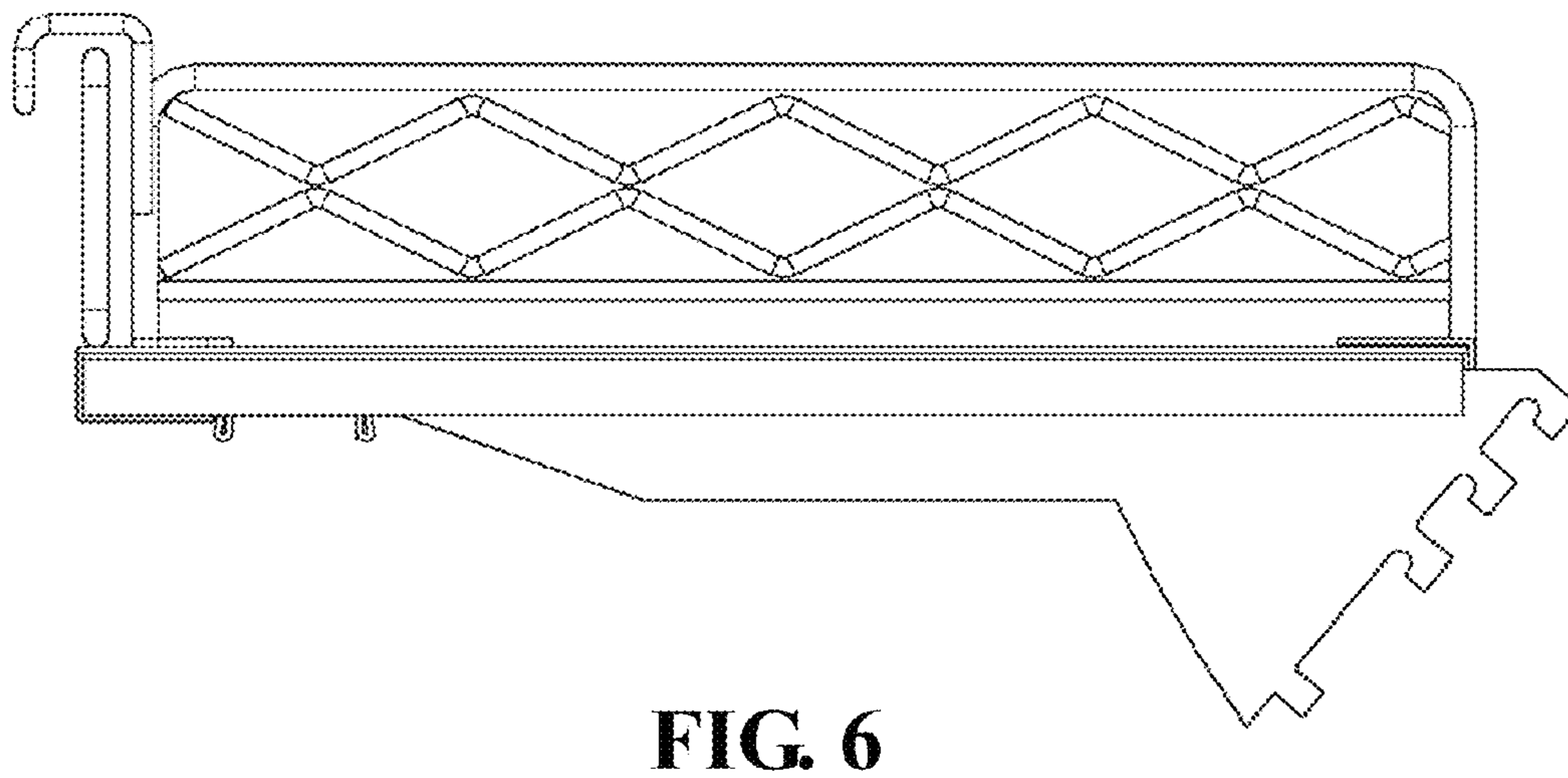
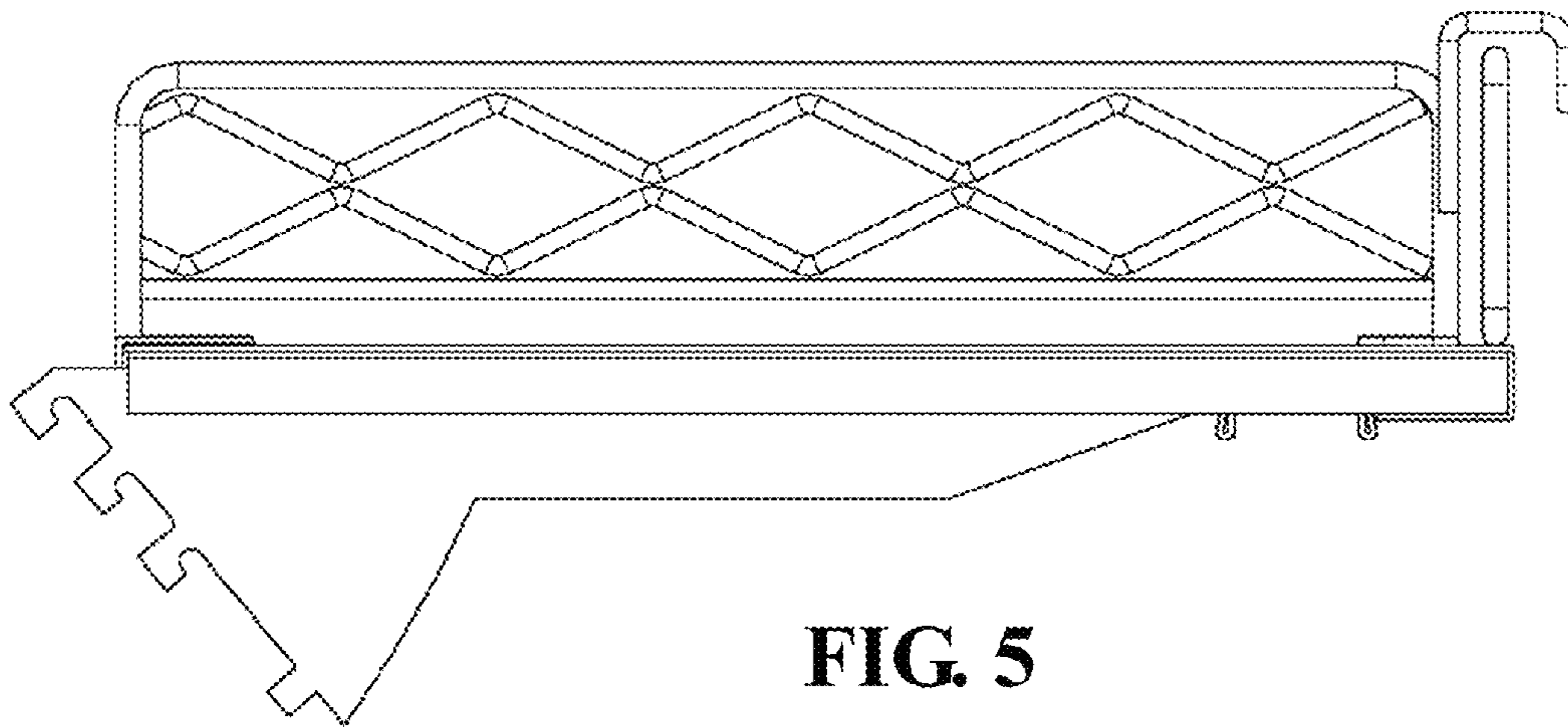


FIG. 4



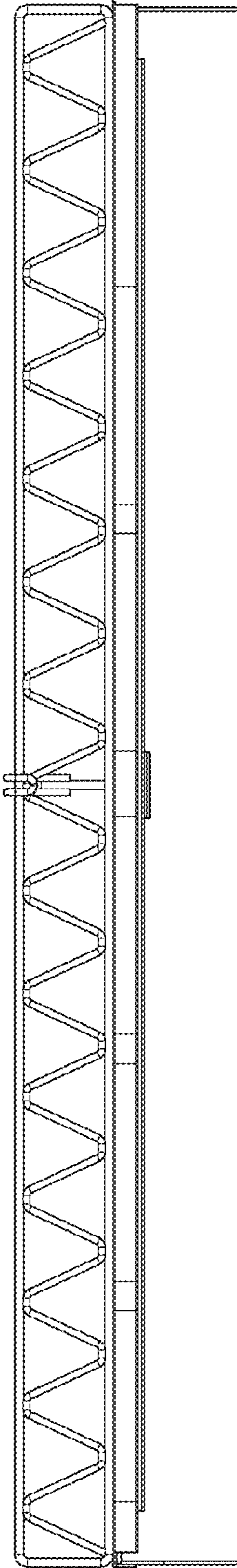


FIG. 7

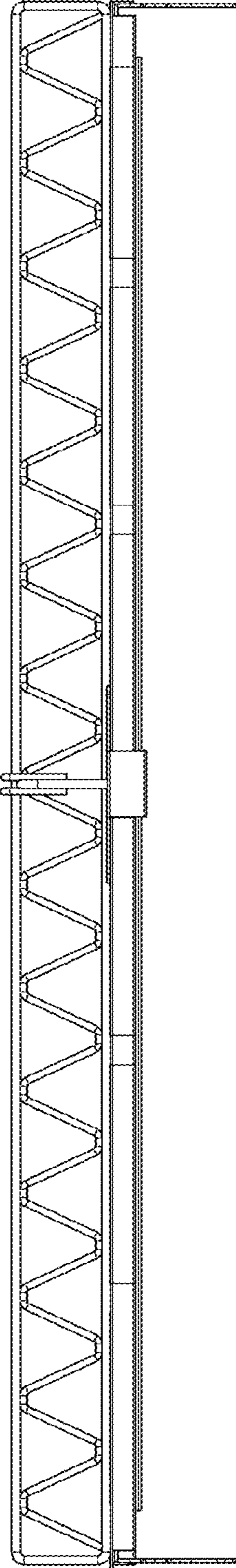


FIG. 8

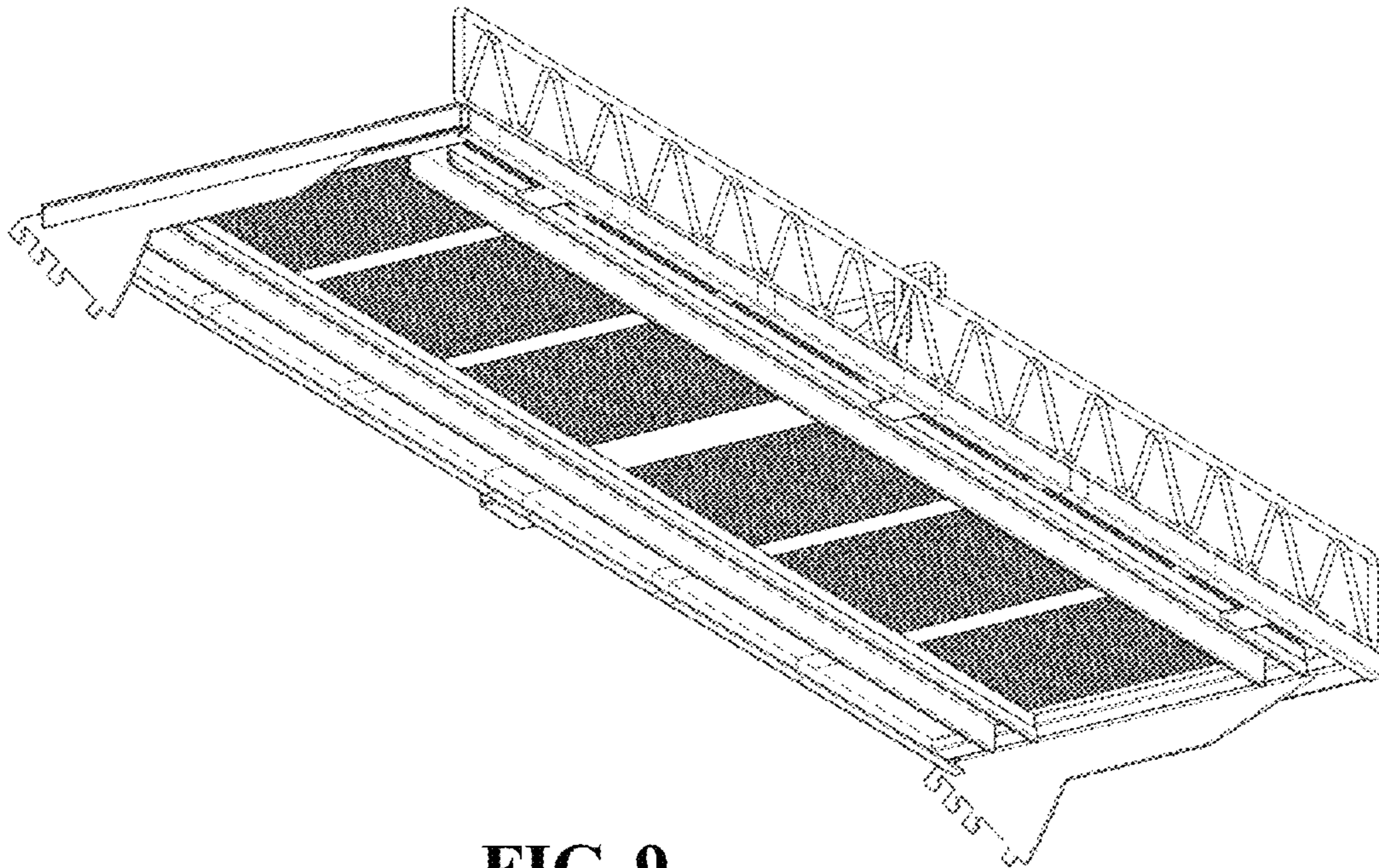


FIG. 9