



US00D766020S

(12) **United States Design Patent** (10) **Patent No.:** **US D766,020 S**
Thatcher (45) **Date of Patent:** **** Sep. 13, 2016**

(54) **STORAGE CHEST**

(71) Applicant: **Frederick S. Thatcher**, Prescott, AZ (US)

(72) Inventor: **Frederick S. Thatcher**, Prescott, AZ (US)

(73) Assignee: **Craig Preston Thatcher**, Show Low, AZ (US)

(**) Term: **14 Years**

(21) Appl. No.: **29/510,549**

(22) Filed: **Dec. 1, 2014**

(51) **LOC (10) Cl.** **06-04**

(52) **U.S. Cl.**
USPC **D6/667**

(58) **Field of Classification Search**
USPC D6/334-336, 356, 364, 365, 366, 367, D6/374, 716, 716.1, 716.4; D3/272, 273, D3/283
CPC A47B 17/04; A47B 47/00; A47B 47/03; A47B 47/04; A47B 67/00; A45C 5/02
See application file for complete search history.

(56) **References Cited**

U.S. PATENT DOCUMENTS

- 181,738 A * 8/1876 Soule et al. A45C 5/02 D3/272
- 1,480,446 A * 1/1924 Howell A47B 67/00 217/17
- D278,397 S * 4/1985 Frankenreiter D6/667
- D307,985 S * 5/1990 Hoff D6/667
- D309,104 S * 7/1990 Solomon D3/272
- D355,761 S * 2/1995 Campana D3/273
- D386,614 S * 11/1997 Smith D3/273

- D410,350 S * 6/1999 Stangl D6/667
- D426,400 S * 6/2000 Welling D23/272
- D426,724 S * 6/2000 Stangl D6/667
- D430,753 S * 9/2000 Stangl D6/667
- D494,758 S * 8/2004 DeCarlo D3/283
- D513,672 S * 1/2006 Meyer D6/667
- D529,287 S * 10/2006 Perella D3/273
- D590,153 S * 4/2009 Sapp D6/667
- D611,252 S * 3/2010 Fiscus D3/272

* cited by examiner

Primary Examiner — Mimosa De

(74) *Attorney, Agent, or Firm* — Booth Udall Fuller, PLC

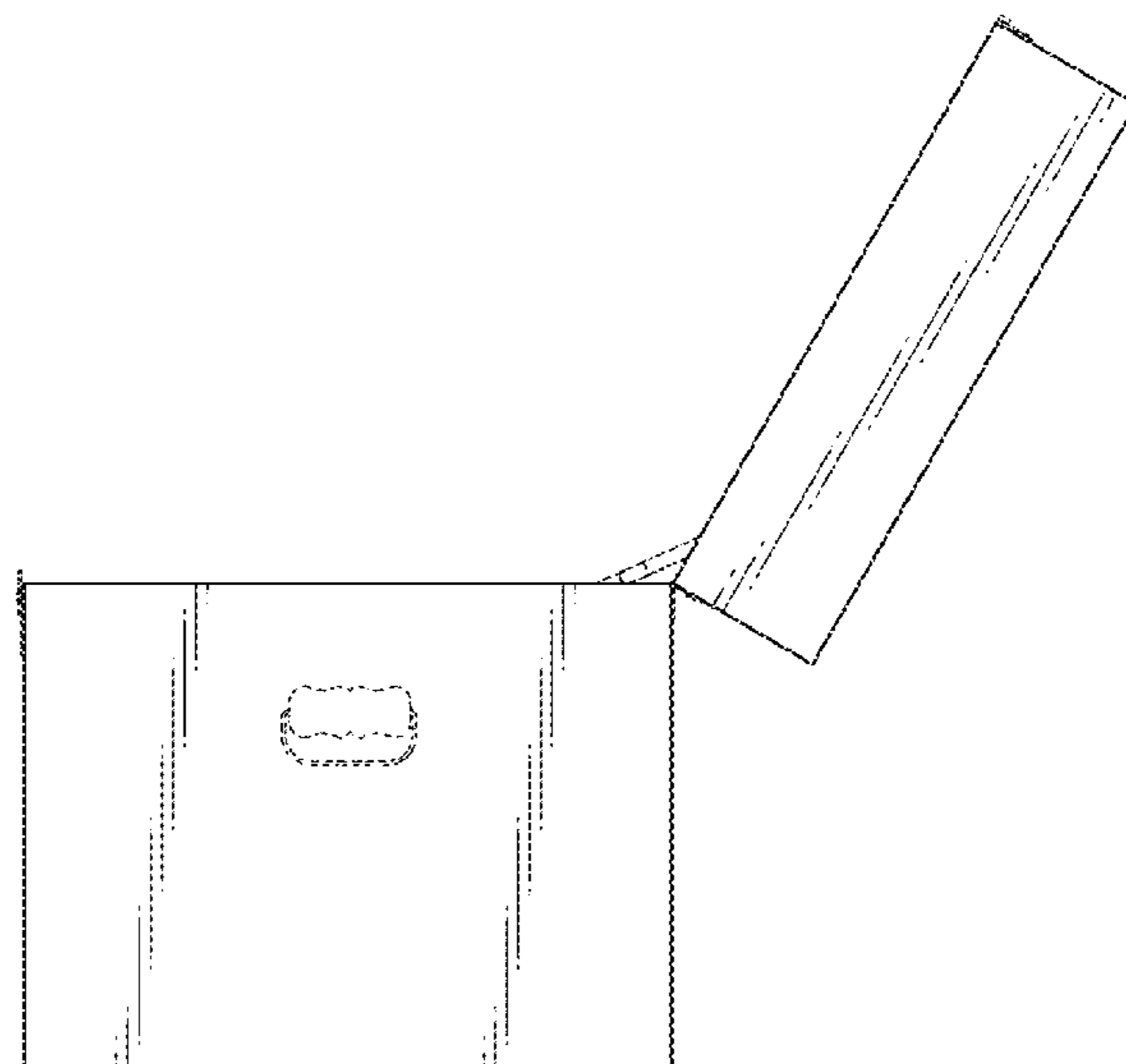
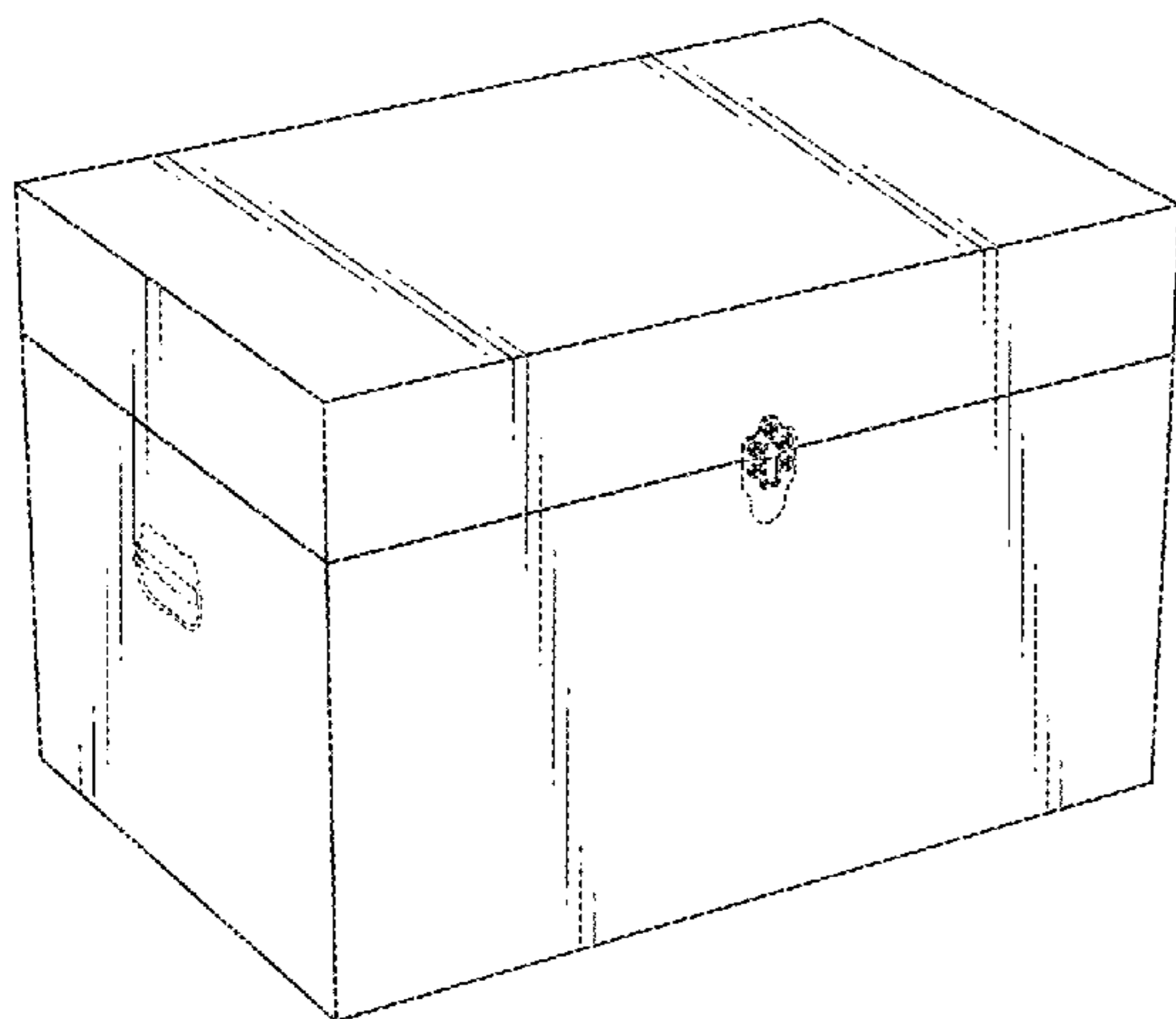
(57) **CLAIM**

The ornamental design for the storage chest, as shown and described.

DESCRIPTION

FIG. 1 is a top perspective view of a storage chest in a closed position;
 FIG. 2 is a top perspective view of the storage chest of FIG. 1 in an open position;
 FIG. 3 is a top view of the storage chest of FIG. 1;
 FIG. 4 is a top view of the storage chest of FIG. 2;
 FIG. 5 is a bottom view of the storage chest of FIG. 1;
 FIG. 6 is a bottom view of the storage chest of FIG. 2; and
 FIG. 7 is a front view of the storage chest of FIG. 1;
 FIG. 8 is a front view of the storage chest of FIG. 2;
 FIG. 9 is a rear view of the storage chest of FIG. 1;
 FIG. 10 is a rear view of the storage chest of FIG. 2;
 FIG. 11 is a right side view of the storage chest of FIG. 1;
 FIG. 12 is a right side view of the storage chest of FIG. 2;
 FIG. 13 is a left side view of the storage chest of FIG. 1; and,
 FIG. 14 is a left side view of the storage chest of FIG. 2.
 The broken lines in the drawings illustrate features that form no part of the claimed design.

1 Claim, 7 Drawing Sheets



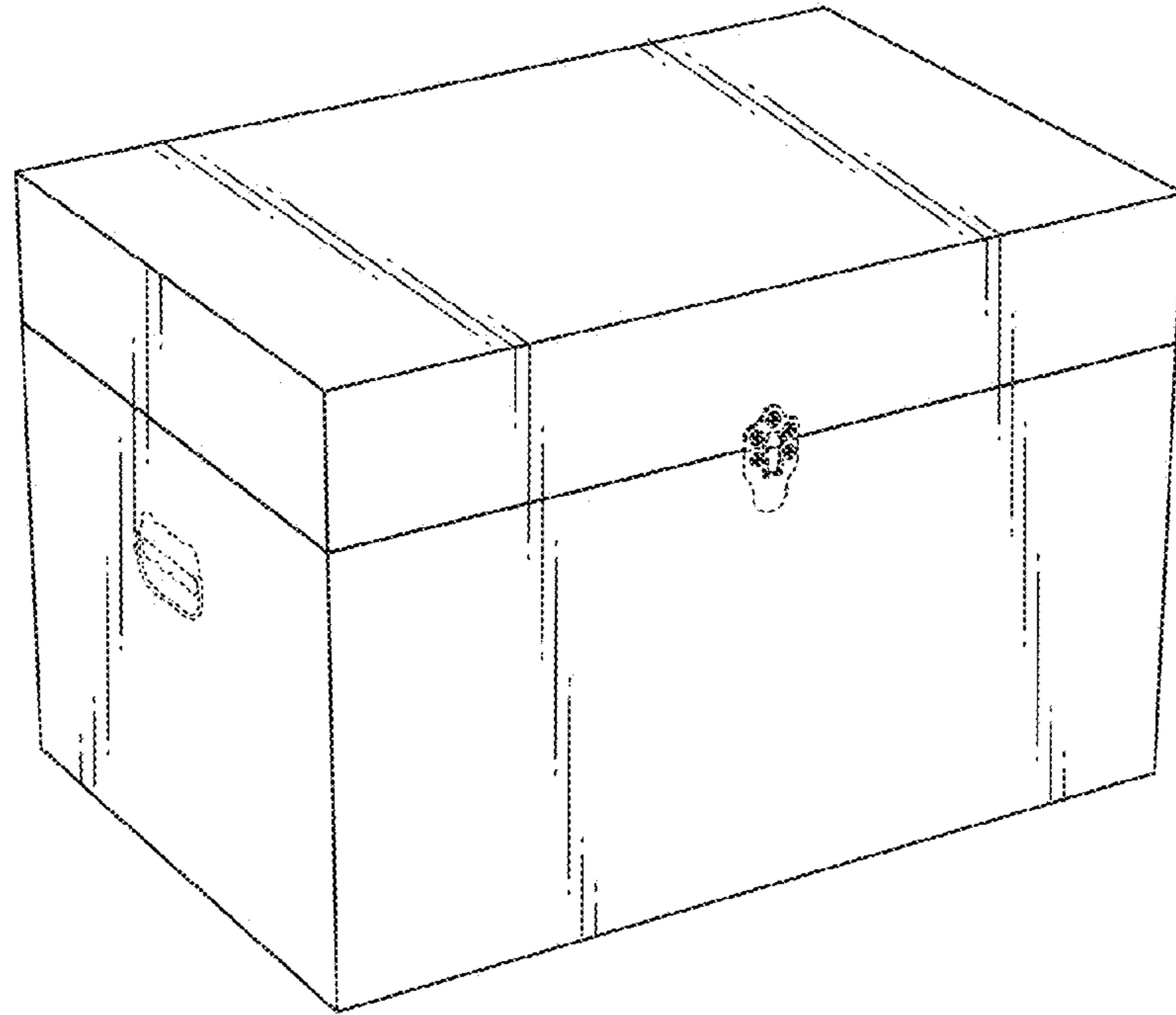


FIG. 1

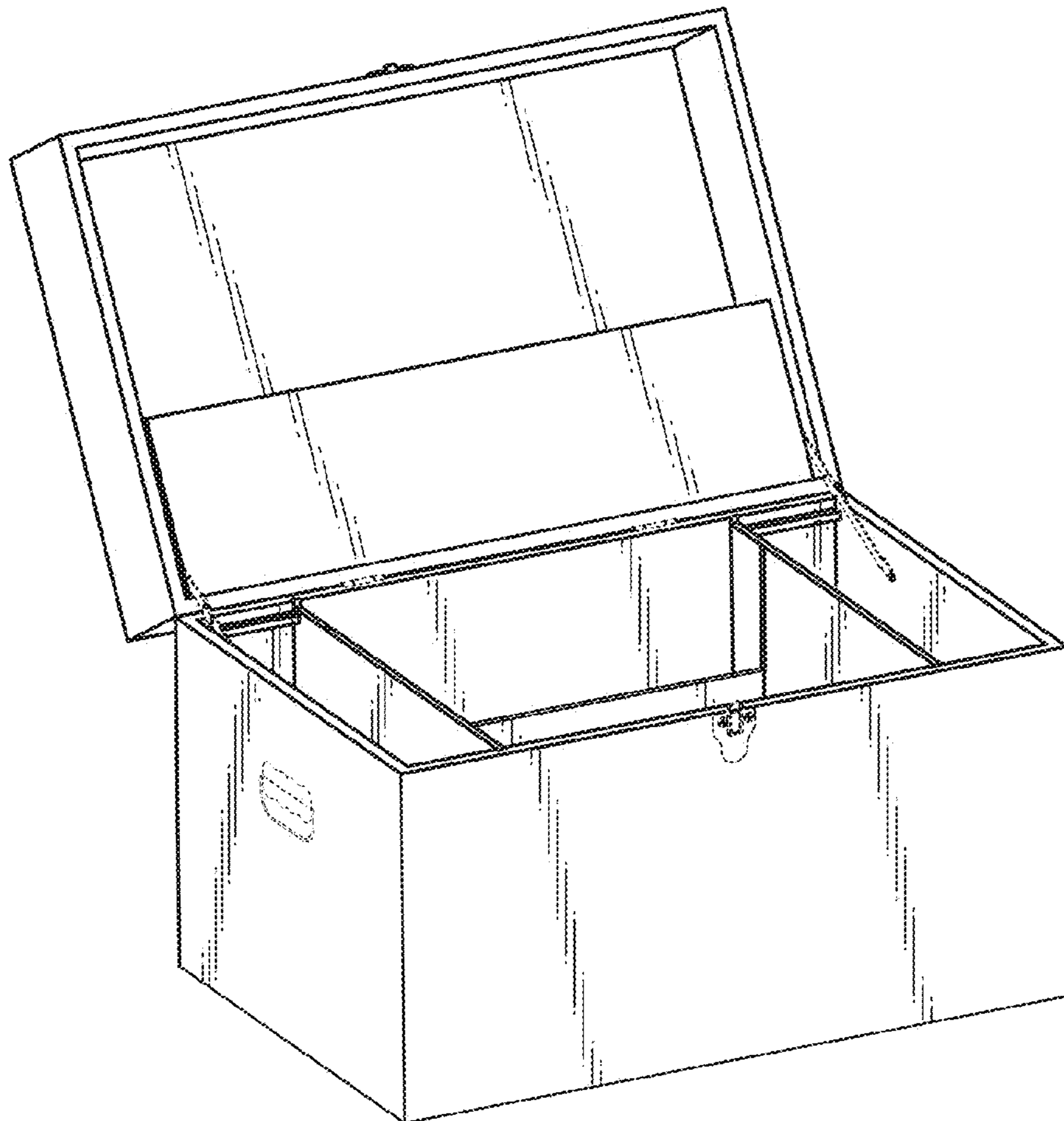


FIG. 2

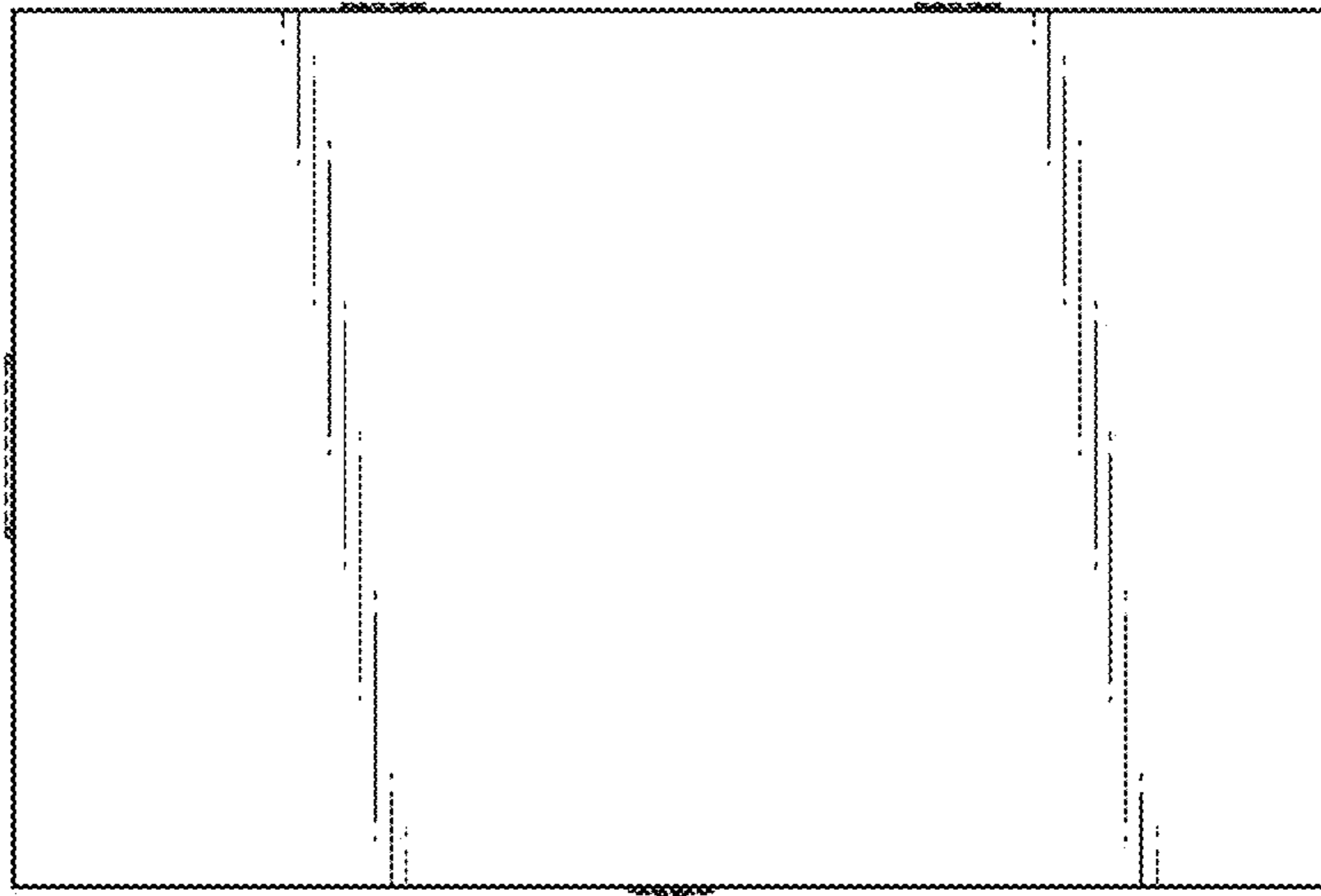


FIG. 3

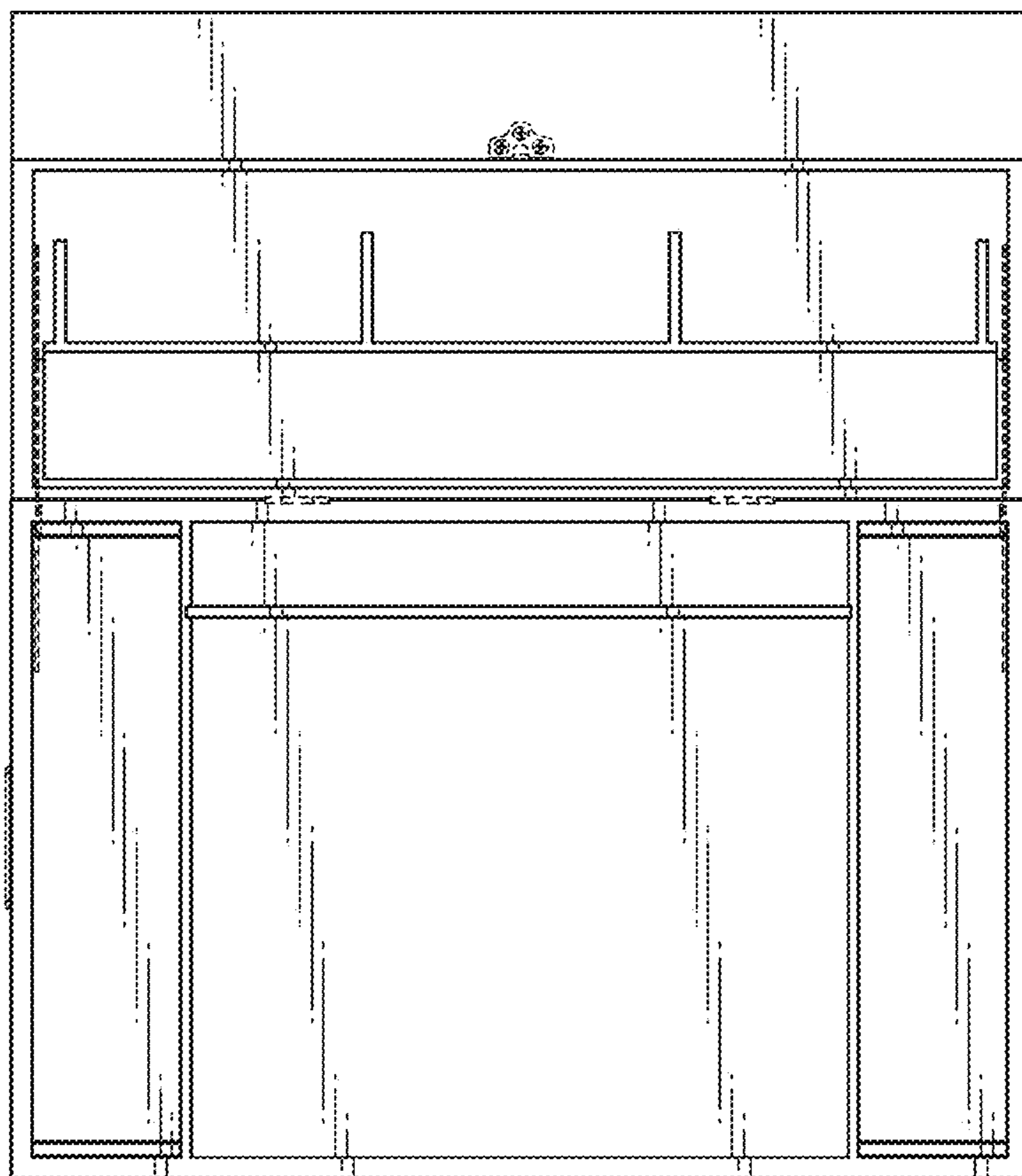


FIG. 4

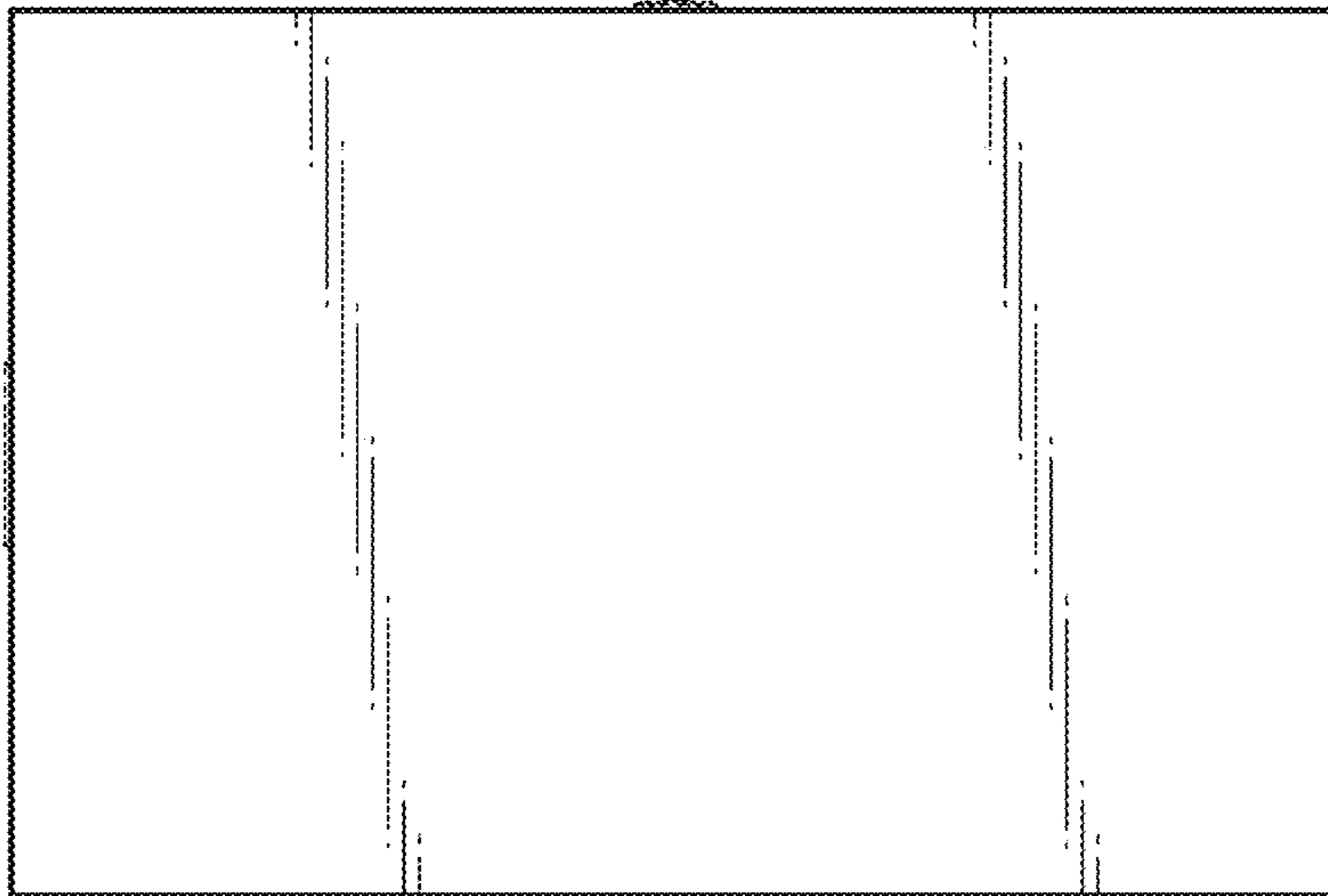


FIG. 5

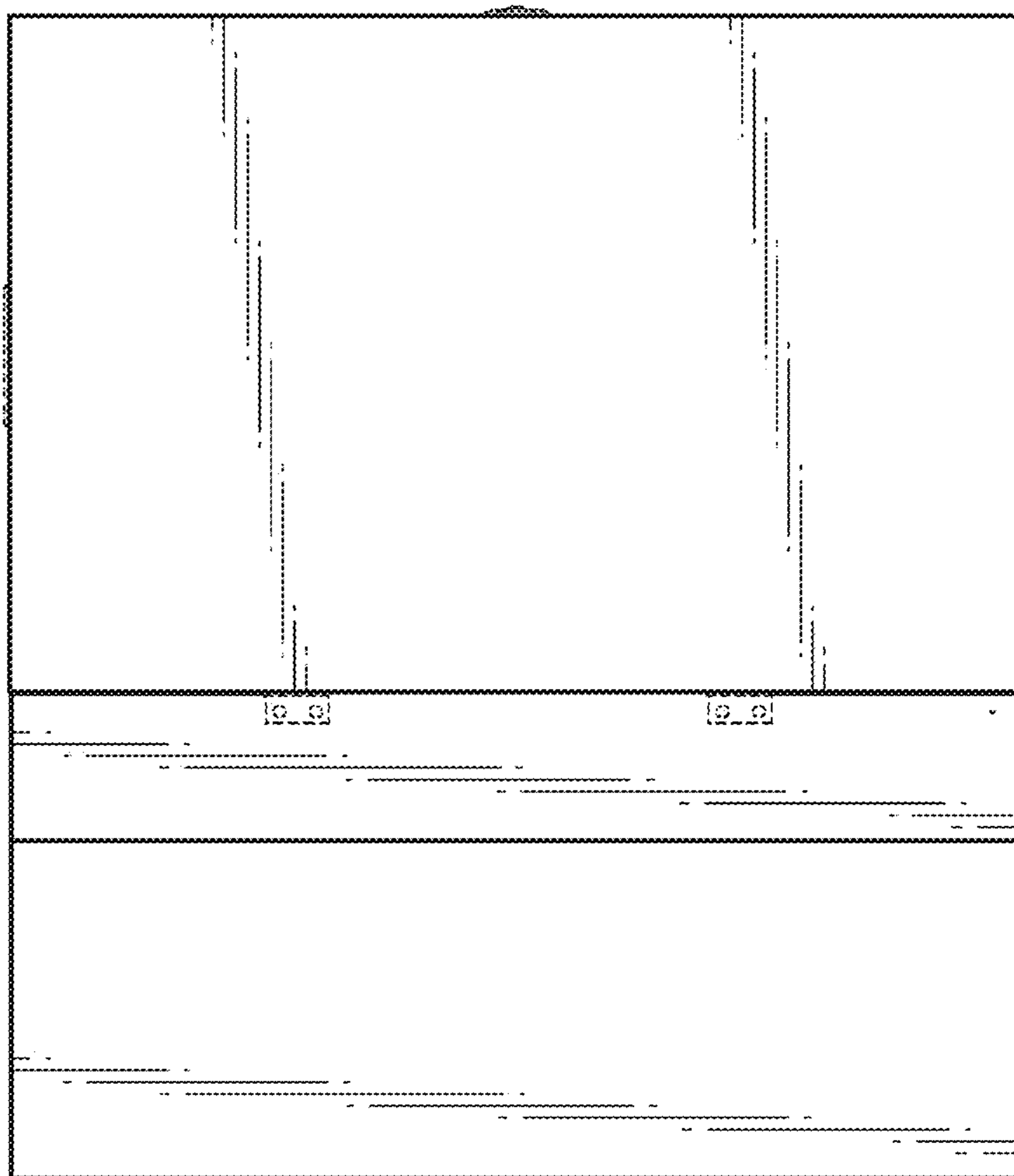


FIG. 6

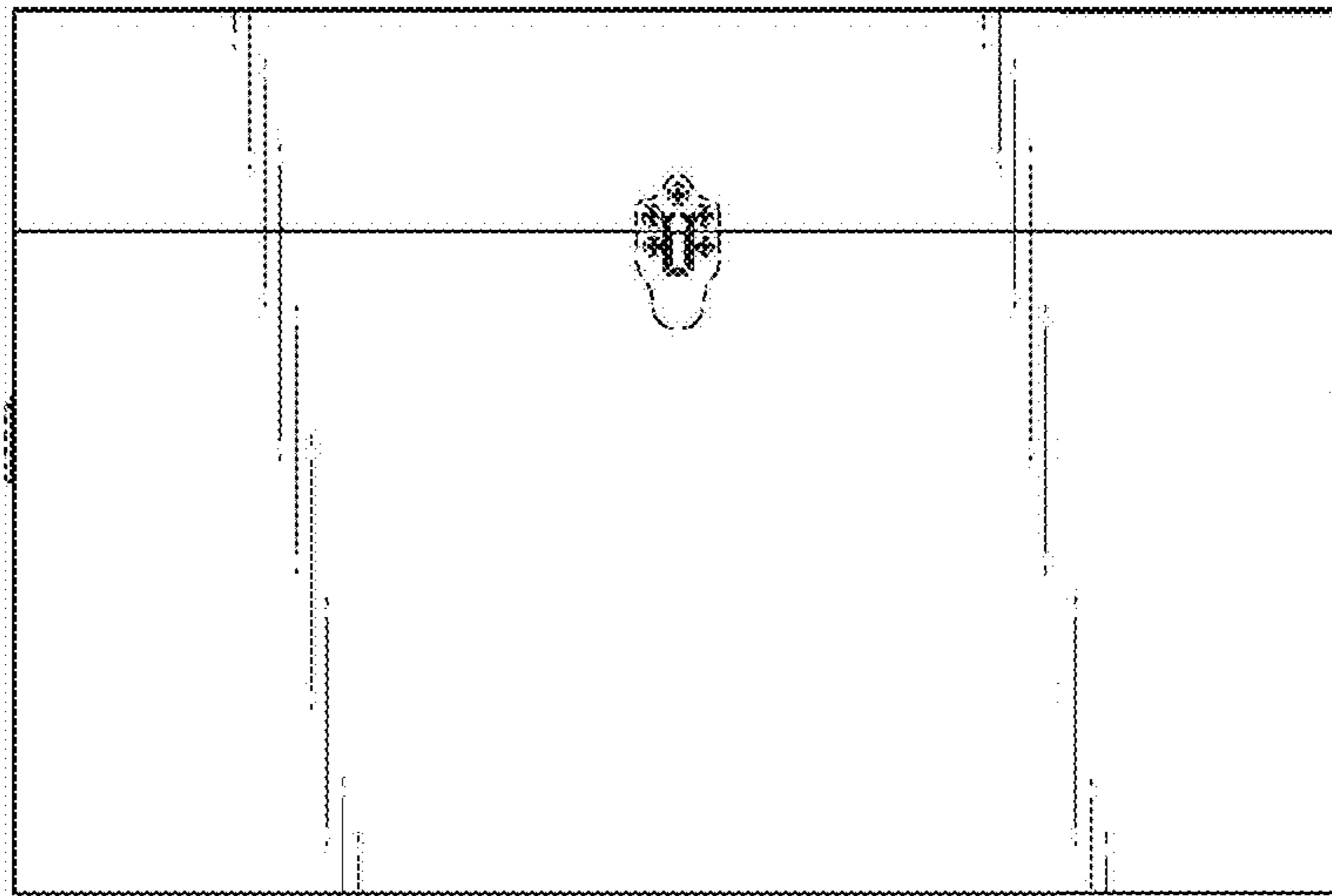


FIG. 7

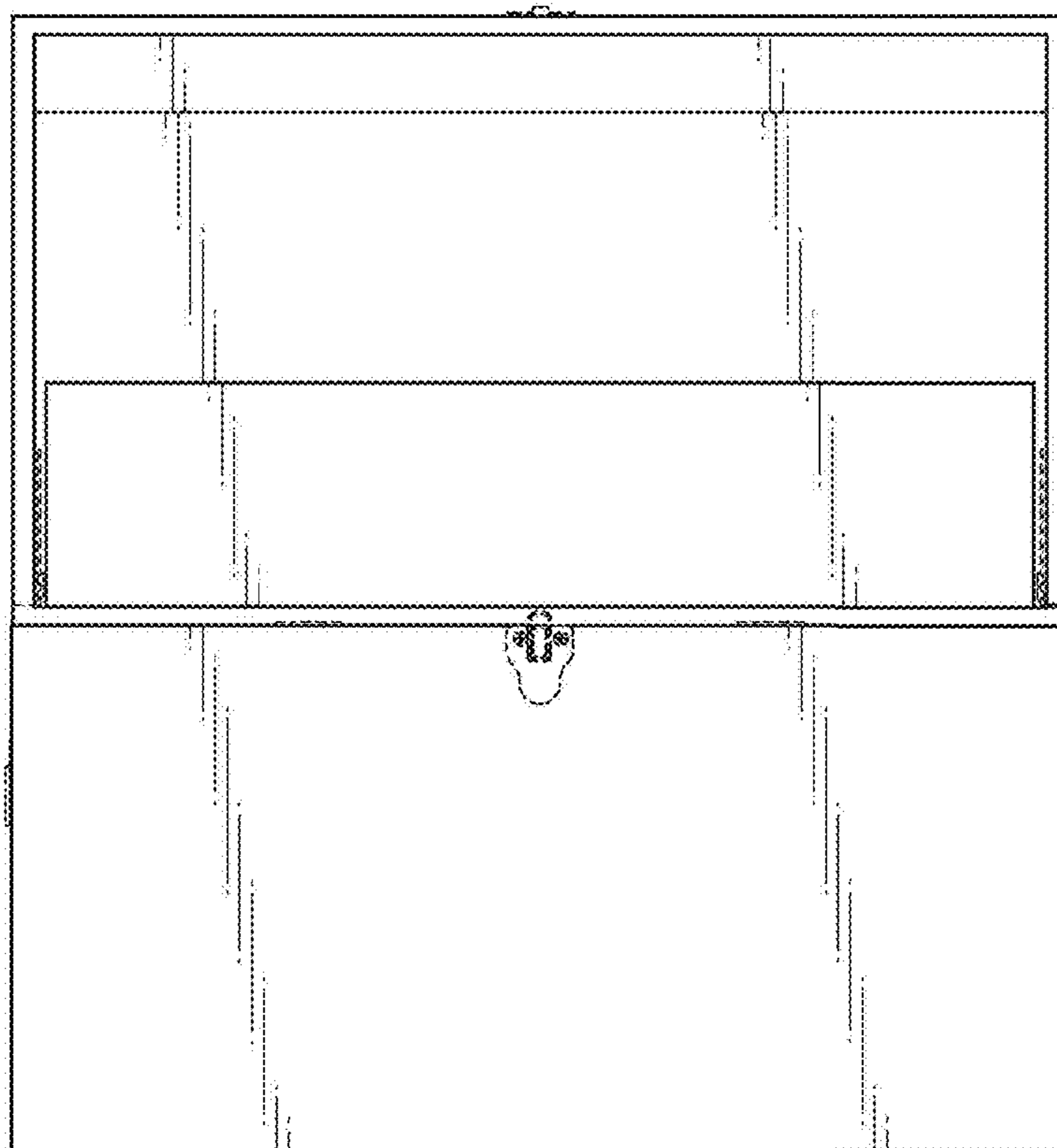


FIG. 8

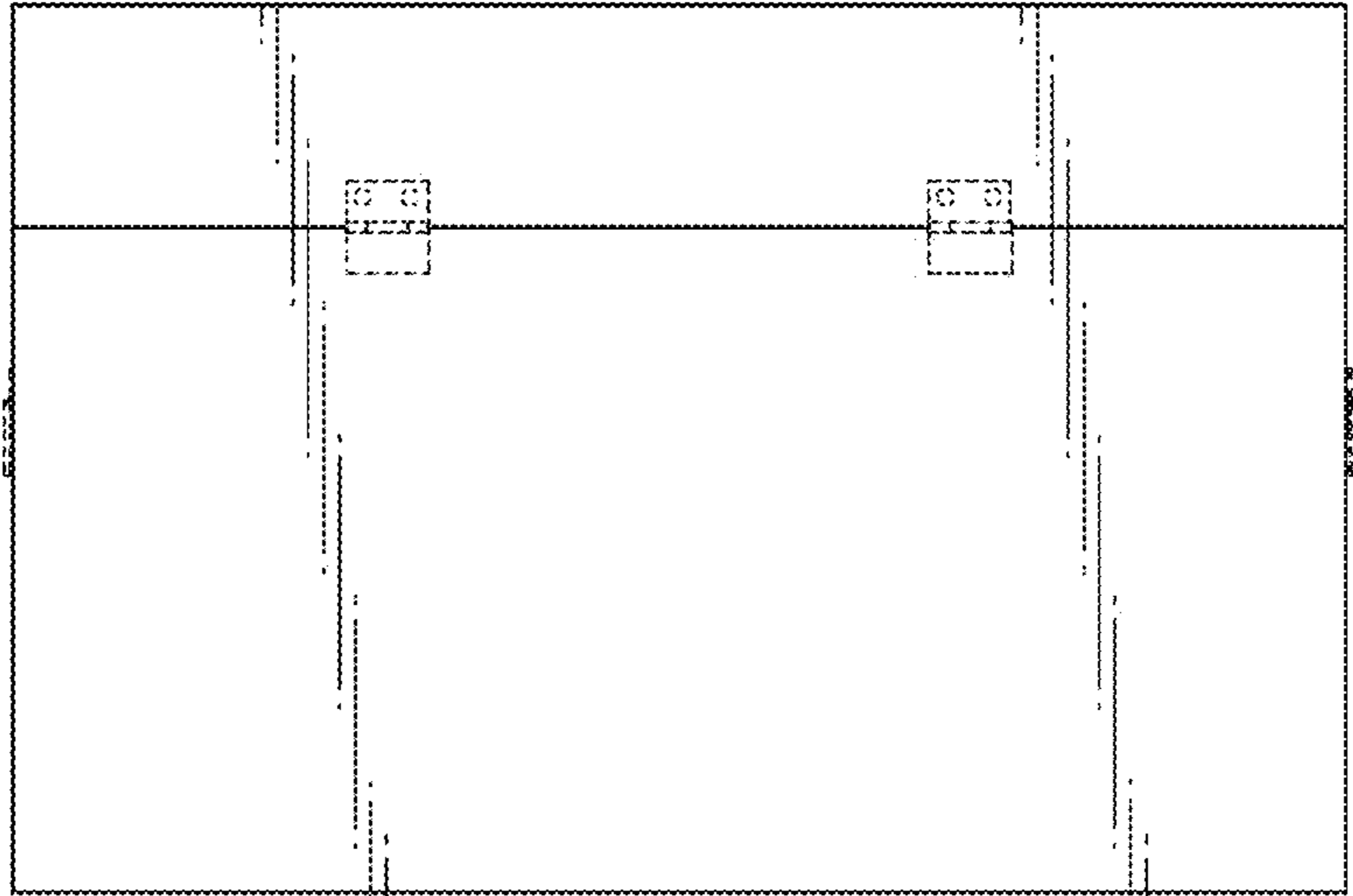


FIG. 9

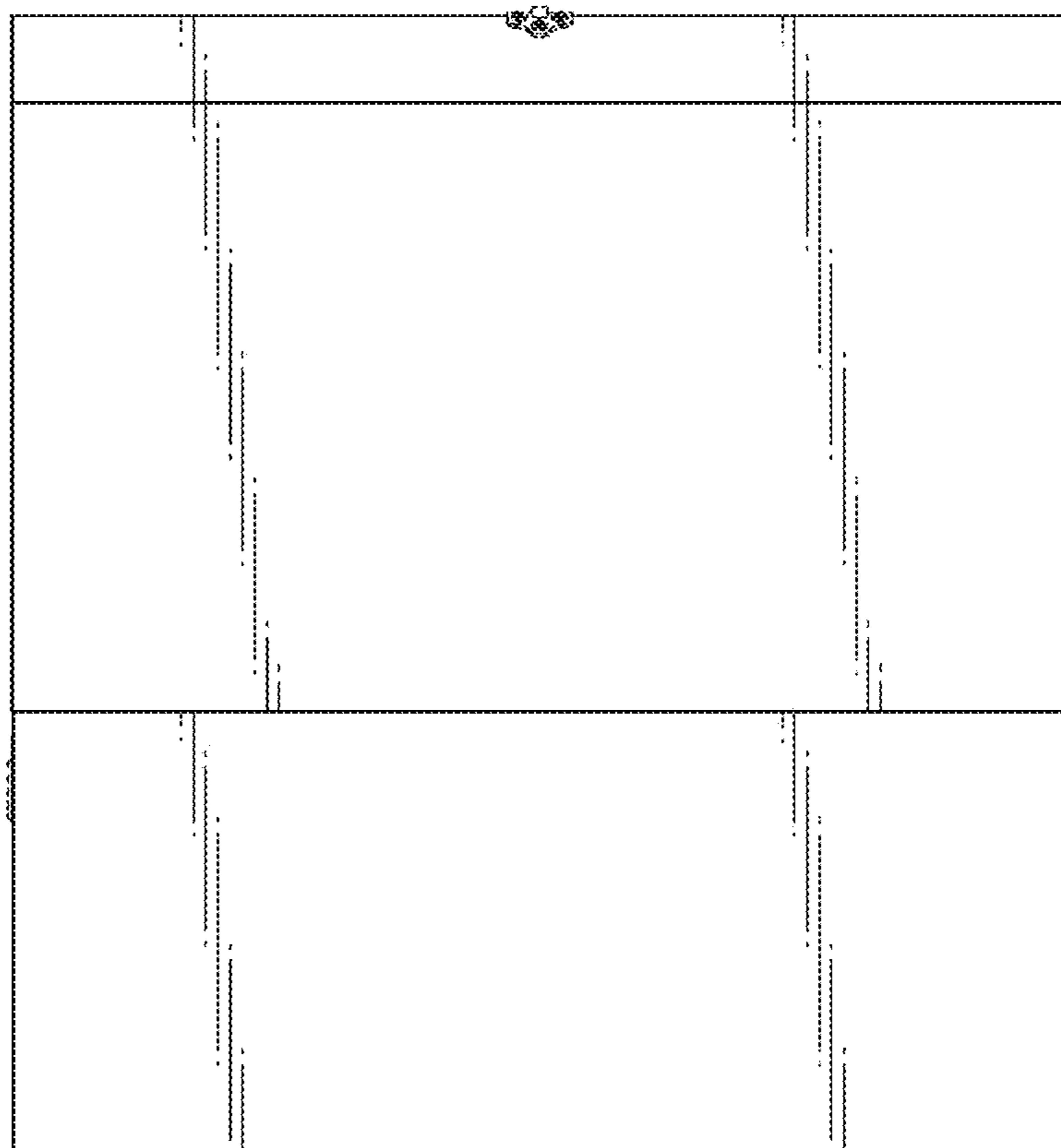


FIG. 10

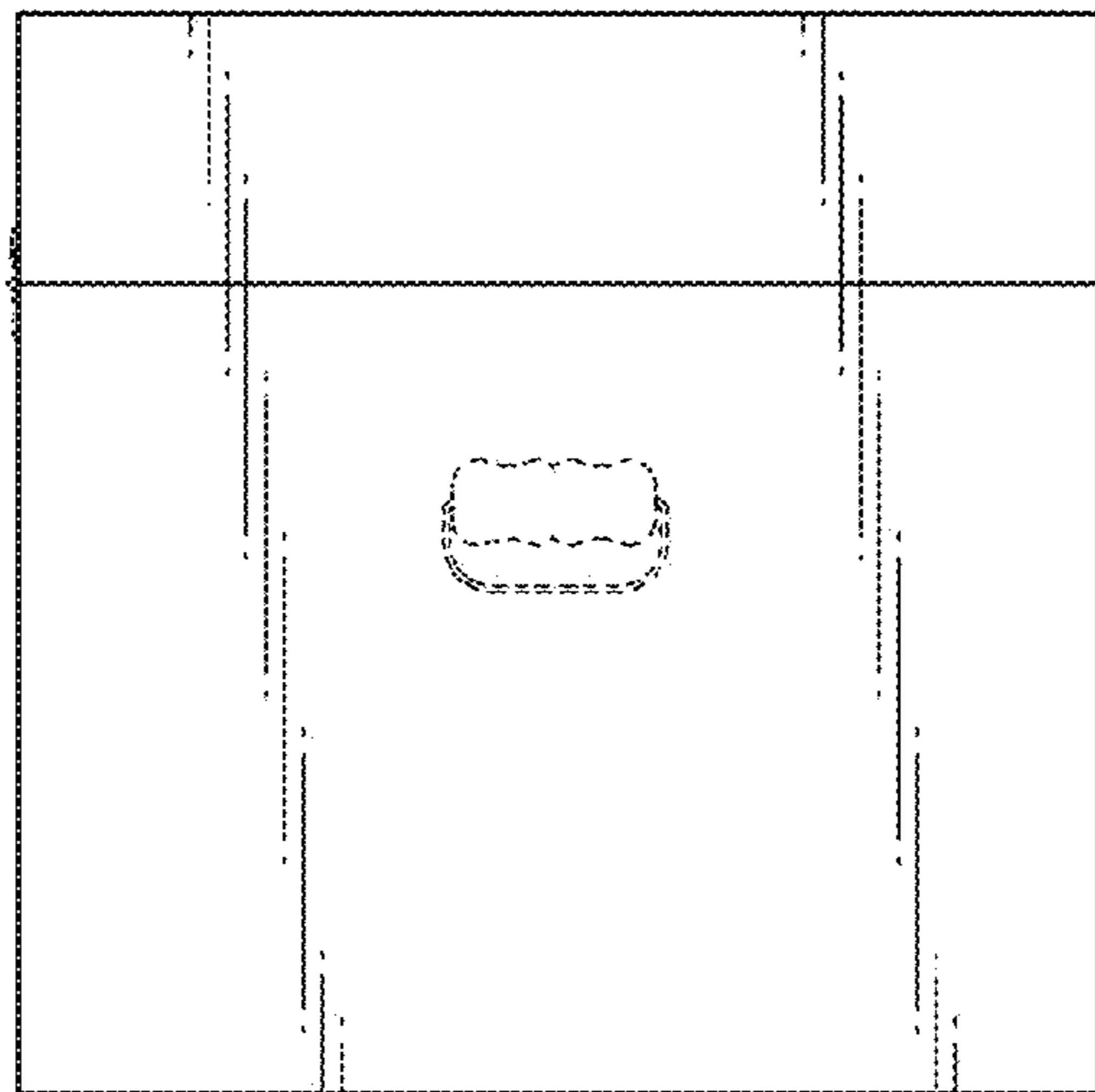


FIG. 11

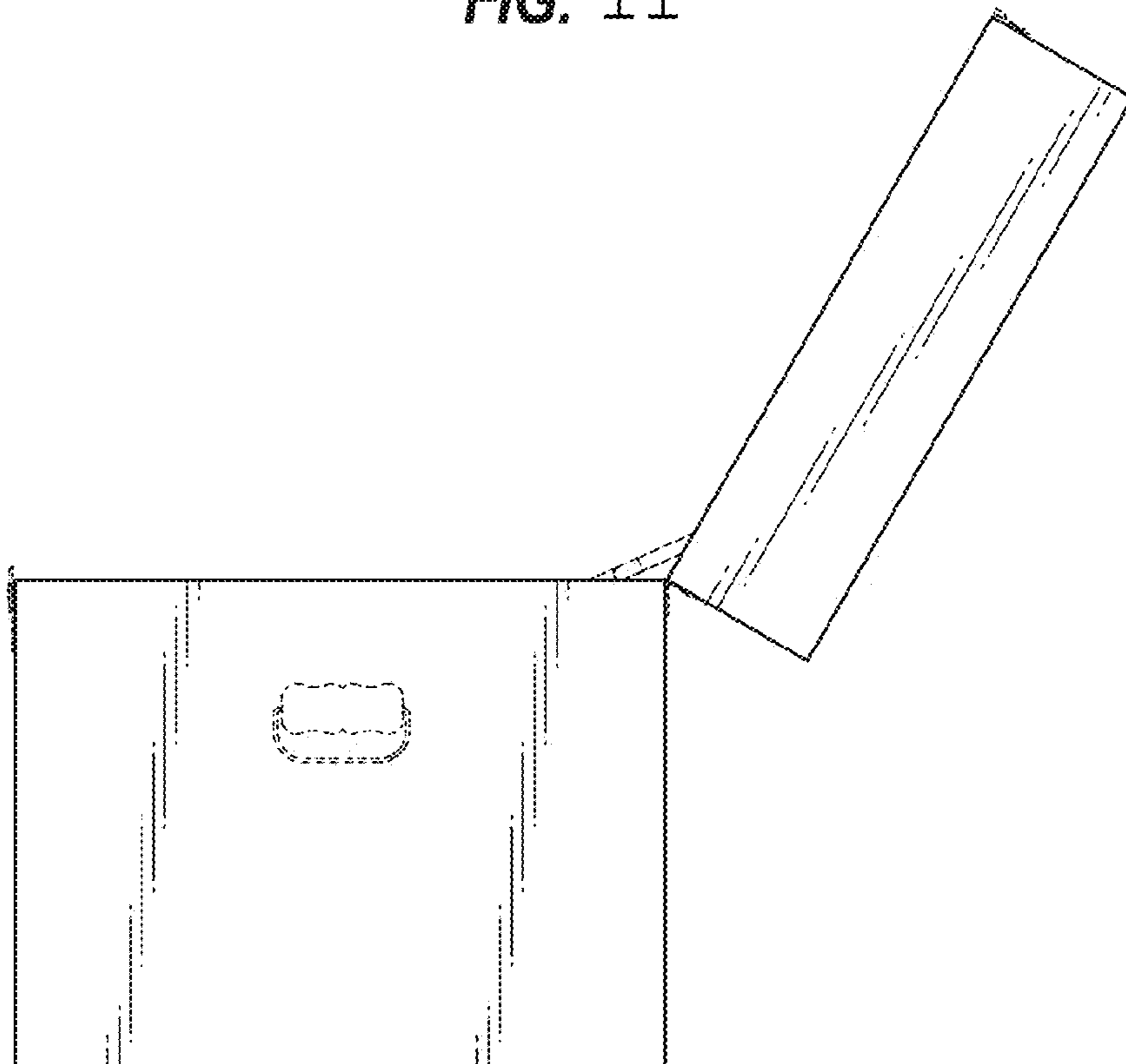


FIG. 12

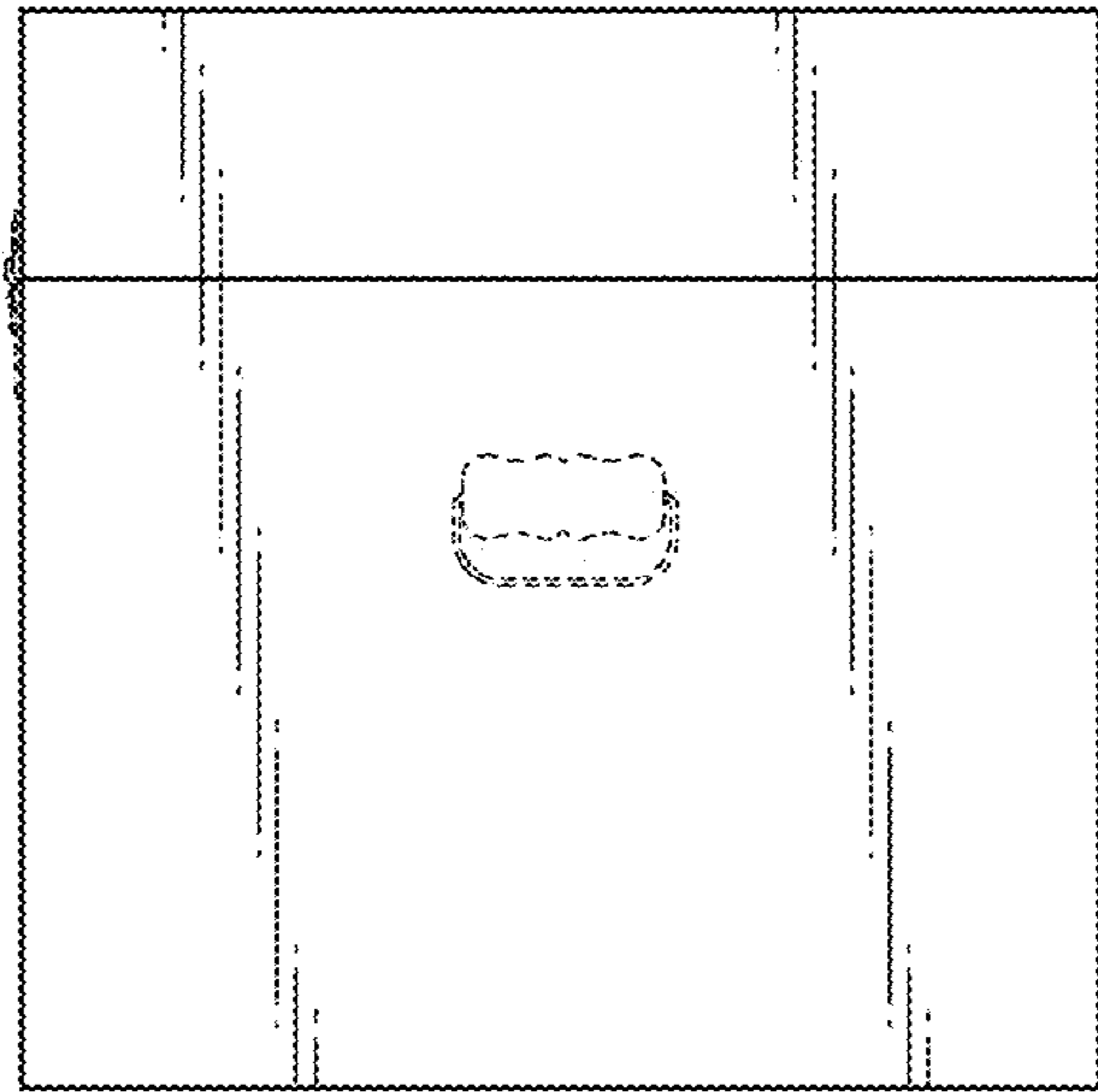


FIG. 13

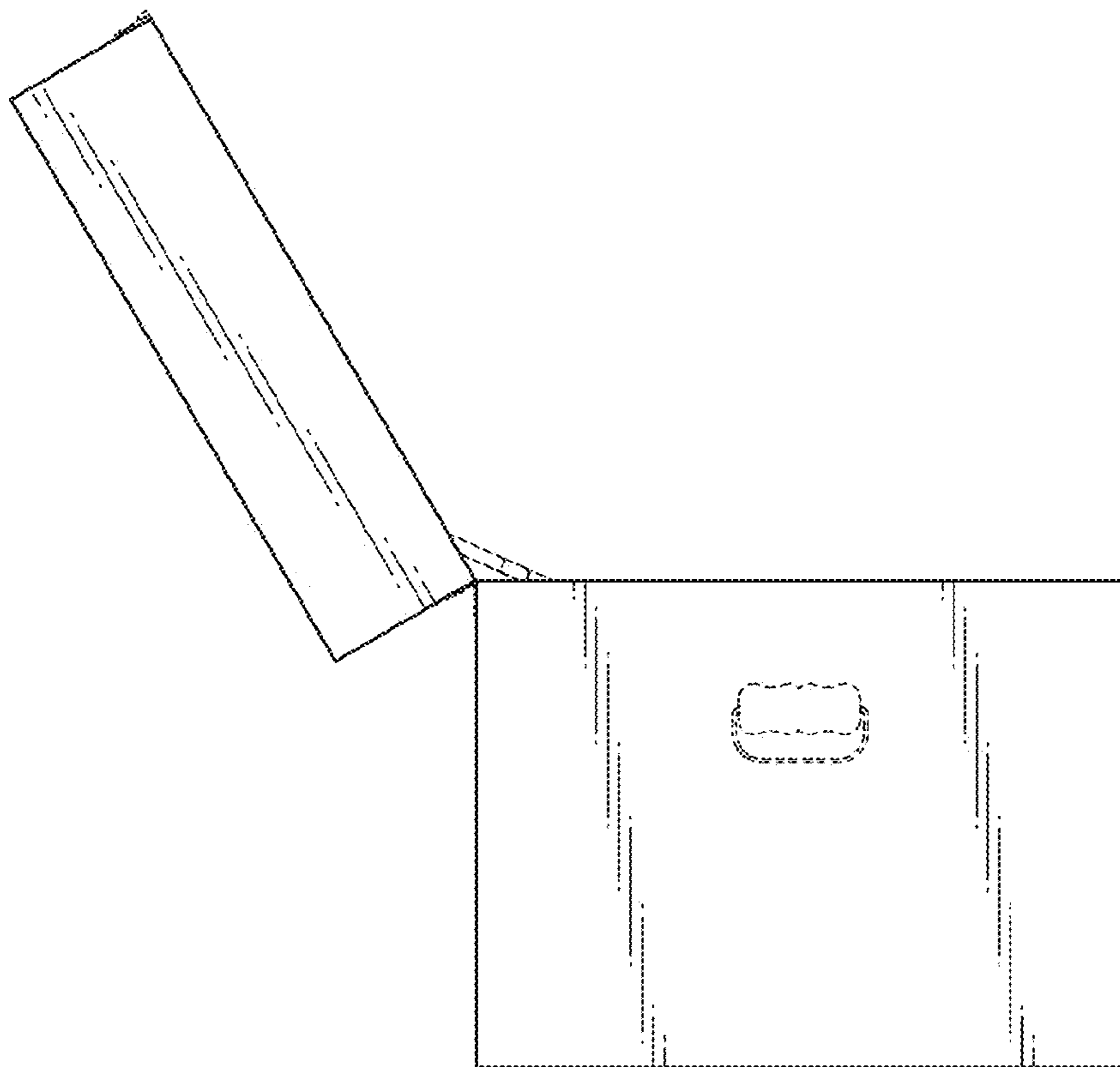


FIG. 14