

US00D766015S

(12) **United States Design Patent** (10) **Patent No.:** **US D766,015 S**
Walker (45) **Date of Patent:** **** Sep. 13, 2016**

(54) **TRAVEL PILLOW**

Primary Examiner — Mary Ann Calabrese

(71) Applicant: **Cedric Thelonious Macillian Walker**,
San Francisco, CA (US)

(74) *Attorney, Agent, or Firm* — Fenwick & West LLP

(72) Inventor: **Cedric Thelonious Macillian Walker**,
San Francisco, CA (US)

(57) **CLAIM**

The ornamental design for a travel pillow, as shown and described.

(**) Term: **14 Years**

(21) Appl. No.: **29/512,580**

DESCRIPTION

(22) Filed: **Dec. 19, 2014**

(51) **LOC (10) Cl.** **06-09**

(52) **U.S. Cl.**
USPC **D6/601**

(58) **Field of Classification Search**
USPC D6/595–601, 604–606; D21/803, 804;
D24/183
CPC A47C 7/021; A47C 7/383; A47C 7/46;
A47C 20/00; A47C 20/21; A47C 20/25;
A47D 13/00; A47D 13/08; A47D 13/083;
A47D 15/00; A47G 9/00; A47G 9/10;
A47G 9/1027; A47G 9/1036; A47G 9/1045;
A47G 9/1054; A47G 9/1063; A47G 9/1072;
A47G 9/1081; A47G 9/109; A47G 2009/003;
A47G 2009/1018
See application file for complete search history.

FIG. 1 is a front perspective view of a travel pillow on a user showing the new design;
FIG. 2 is a left side elevational view thereof on user;
FIG. 3 is a front perspective view thereof;
FIG. 4 is a front perspective view thereof with the unclaimed environment removed for clarity of disclosure;
FIG. 5 is a front perspective view thereof in an open configuration;
FIG. 6 is another front perspective view thereof in an open configuration;
FIG. 7 is a rear perspective view thereof;
FIG. 8 is a rear perspective view thereof with the unclaimed environment removed for clarity of disclosure;
FIG. 9 is a front elevational view thereof;
FIG. 10 is a front elevational view thereof with the unclaimed environment removed for clarity of disclosure;
FIG. 11 is a rear elevational view thereof;
FIG. 12 is a rear elevational view thereof with the unclaimed environment removed for clarity of disclosure;
FIG. 13 is a right side elevational view thereof;
FIG. 14 is a left side elevational view thereof;
FIG. 15 is a top plan view thereof;
FIG. 16 is a top plan view thereof with the unclaimed environment removed for clarity of disclosure;
FIG. 17 is a bottom plan view thereof; and,
FIG. 18 is a bottom plan view thereof with the unclaimed environment removed for clarity of disclosure.
The broken lines in the drawings showing portions of the travel pillow and user are included for the purpose of illustrating environmental structure and form no part of the claimed design.

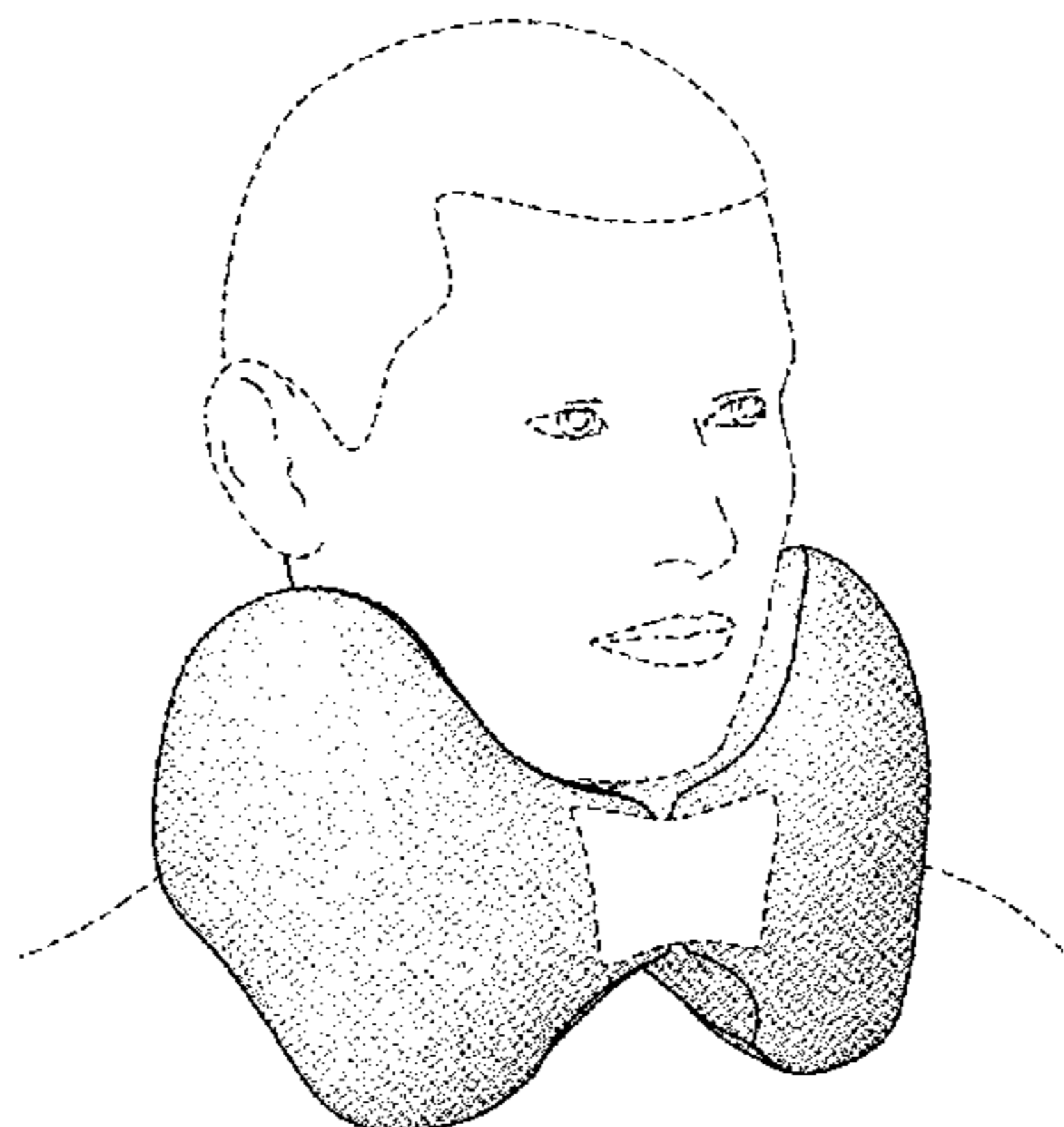
(56) **References Cited**

U.S. PATENT DOCUMENTS

D389,645 S *	1/1998	Ermini	5/632
7,010,821 B1 *	3/2006	Leach	A47D 13/083 5/636
7,886,381 B2 *	2/2011	Aiken	A47C 20/021 5/632
8,783,776 B1 *	7/2014	Perkins	A47D 15/00 297/219.12
8,863,334 B2 *	10/2014	Gibbons	A47C 20/025 5/631
2005/0173962 A1 *	8/2005	Stein	A47C 7/383 297/397
2014/0215719 A1 *	8/2014	Gibbons	A47C 20/025 5/632
2015/0128348 A1 *	5/2015	Gottlieb	A47G 9/1081 5/637

* cited by examiner

1 Claim, 12 Drawing Sheets



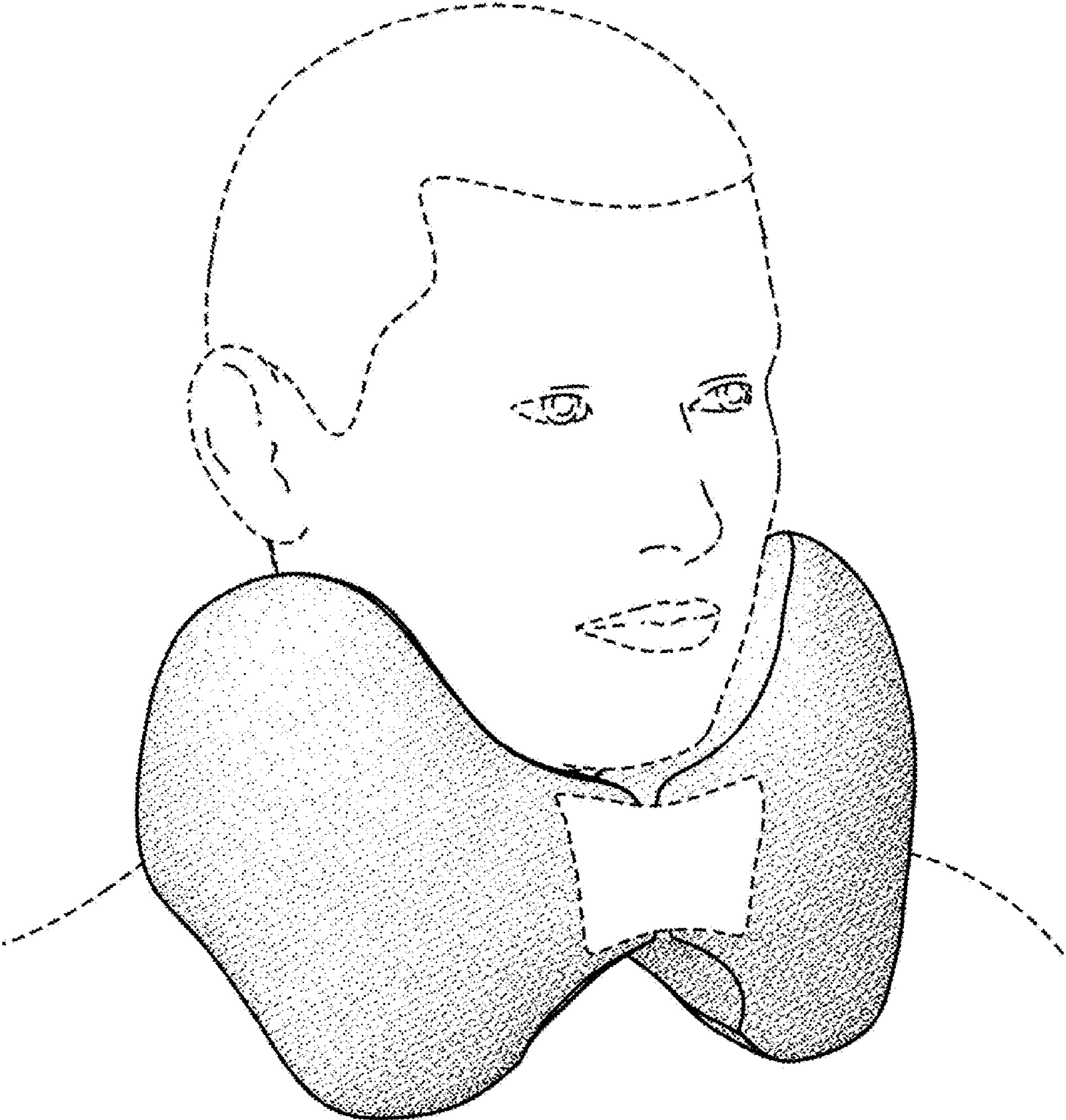


FIG. 1

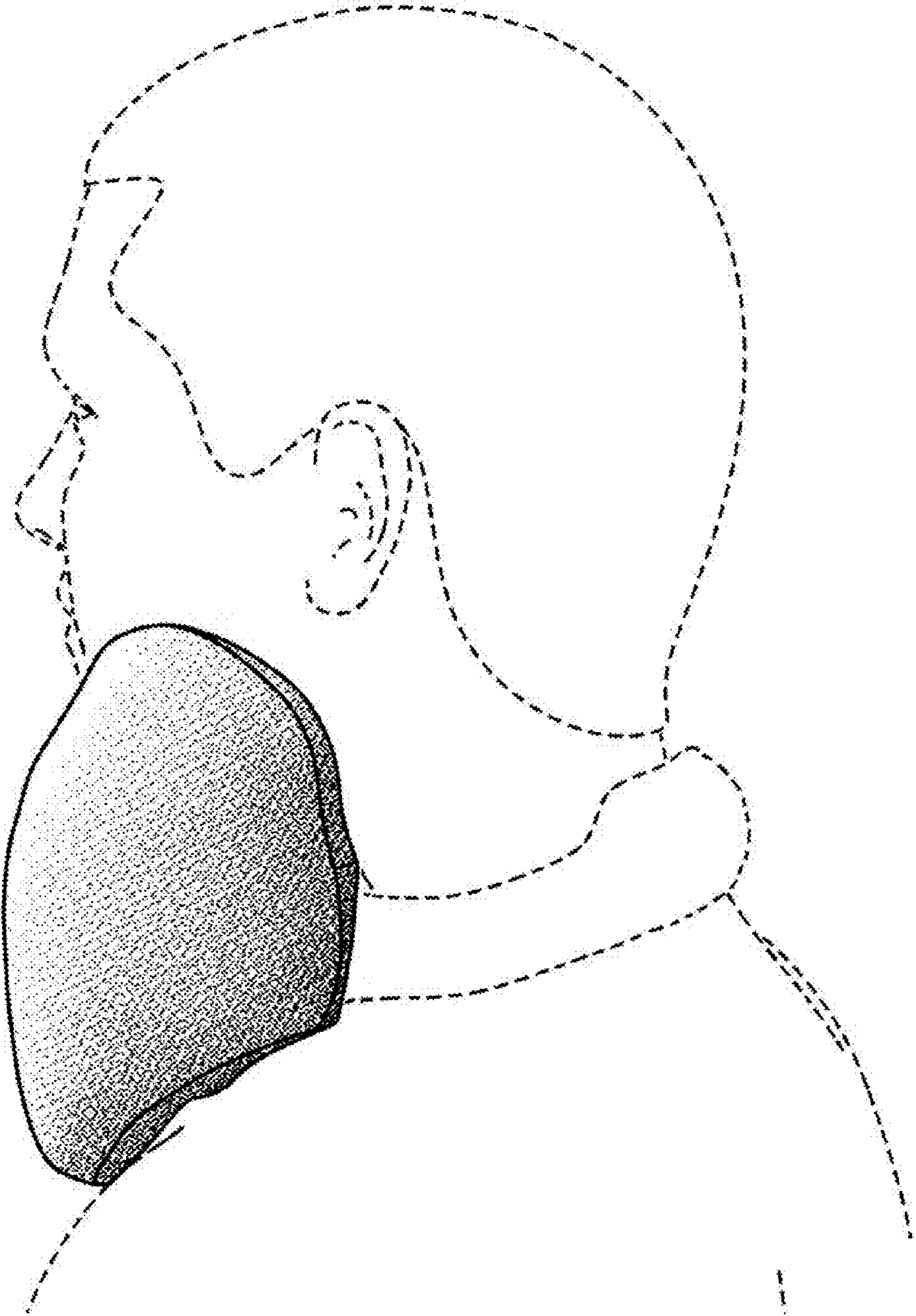


FIG. 2

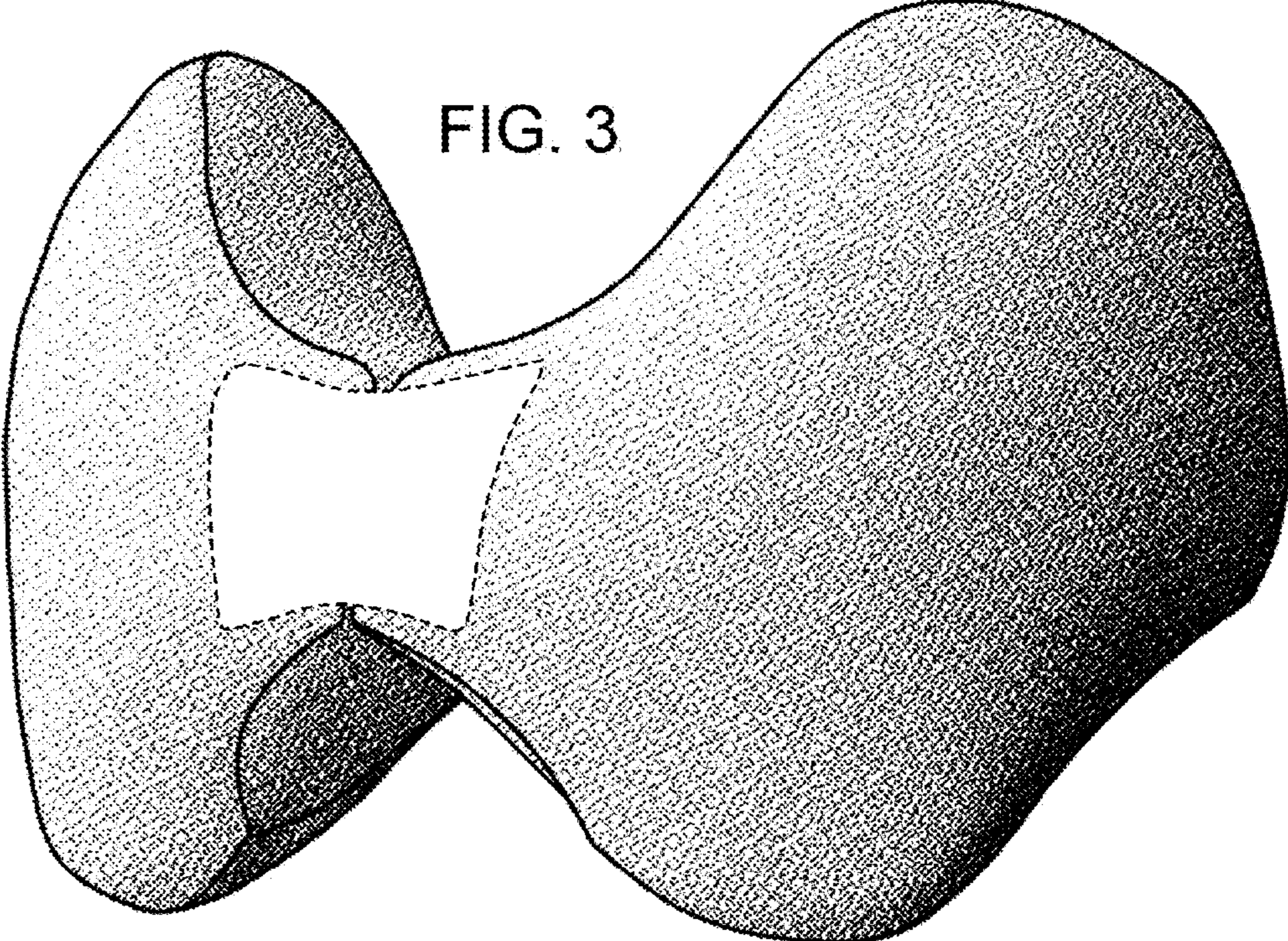


FIG. 3

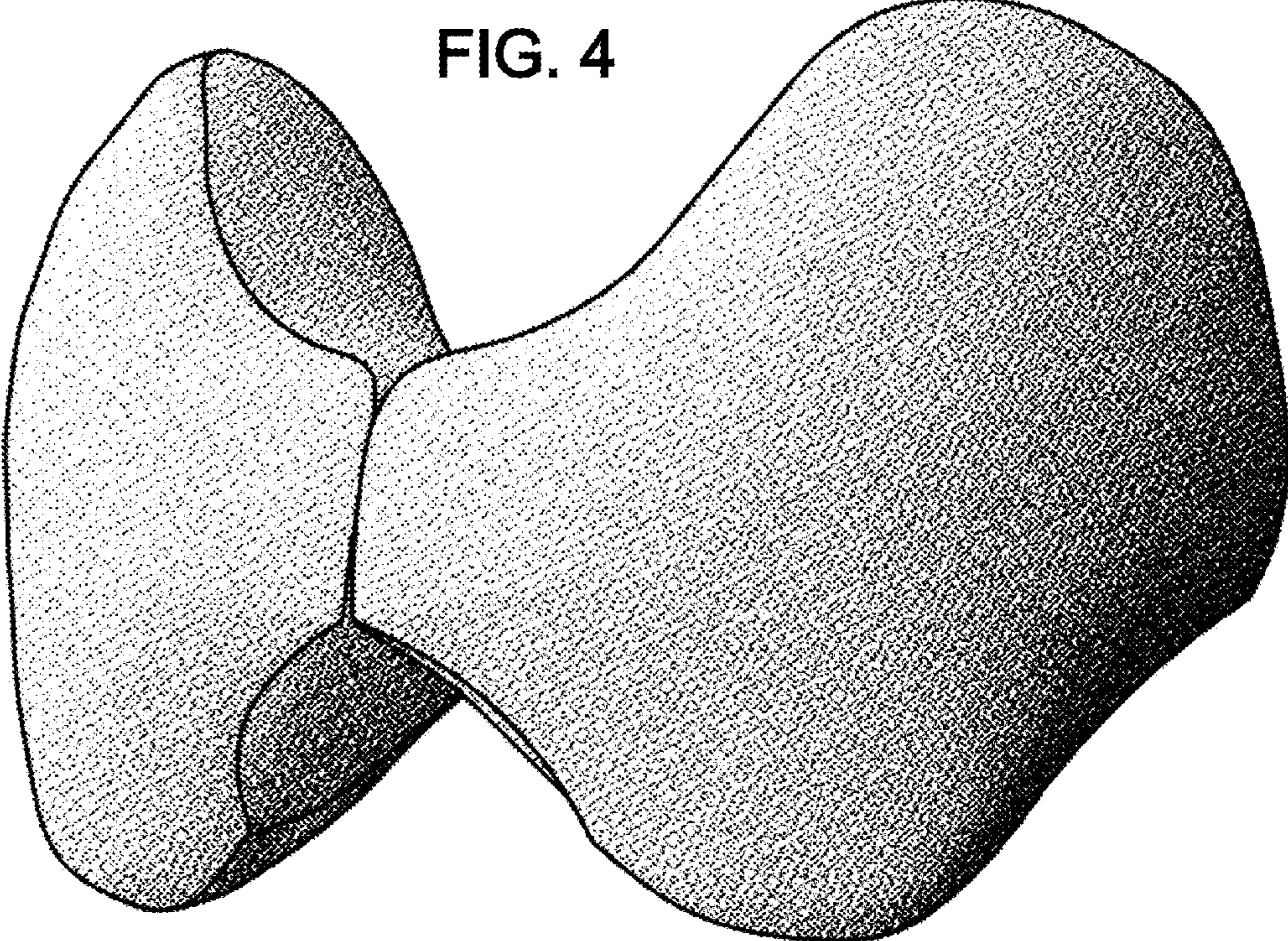


FIG. 4

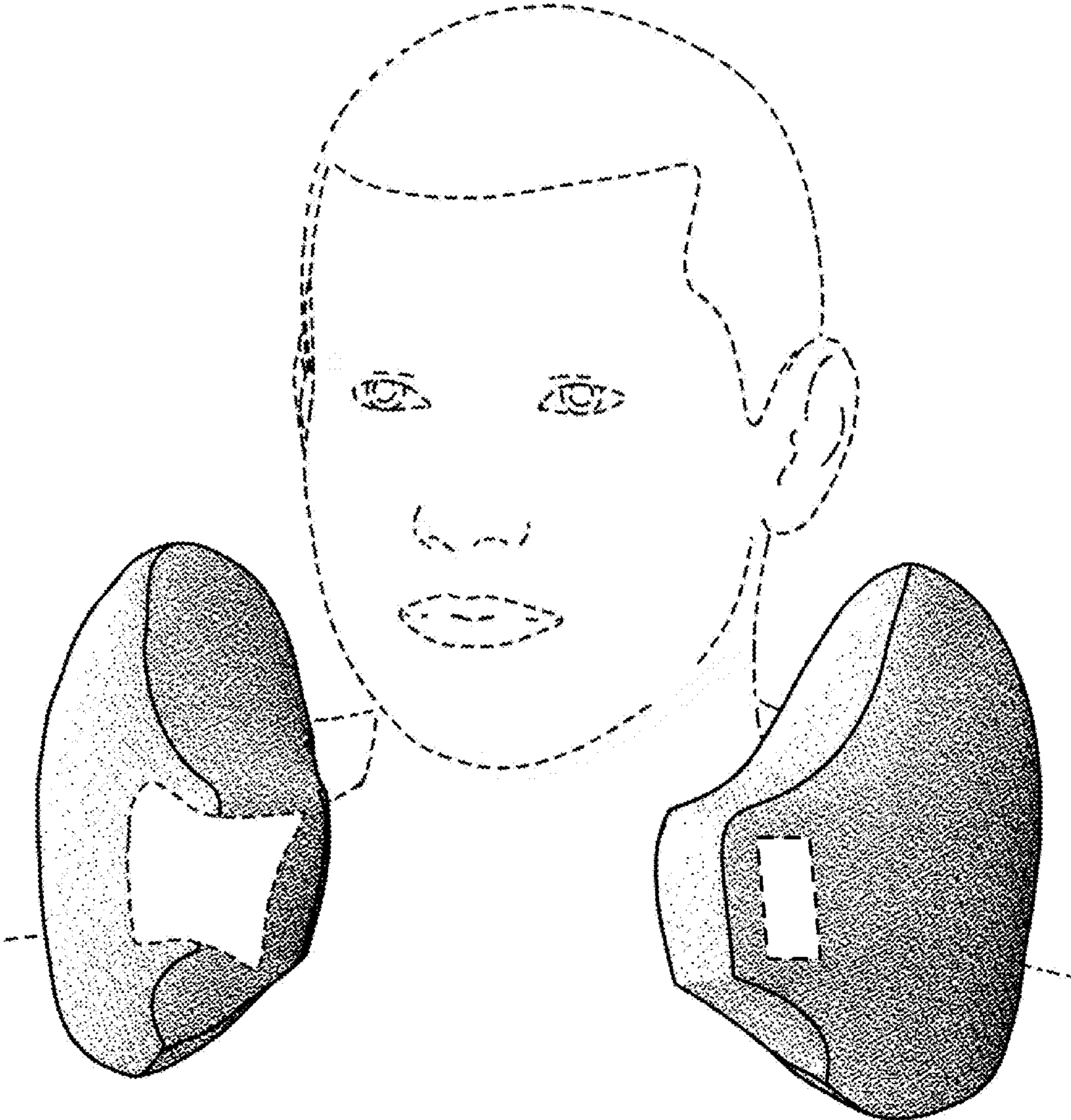


FIG. 5

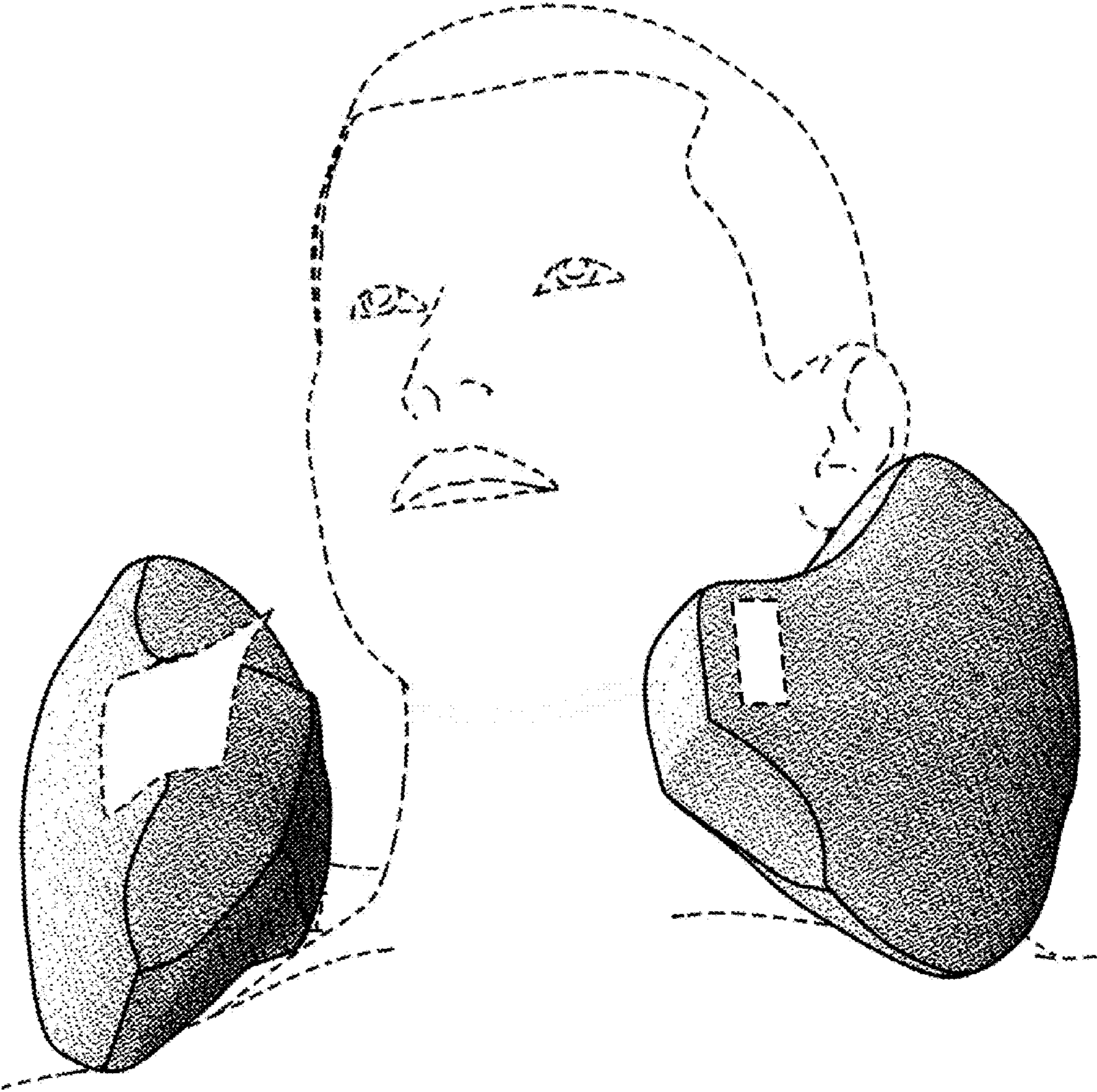


FIG. 6

FIG. 7

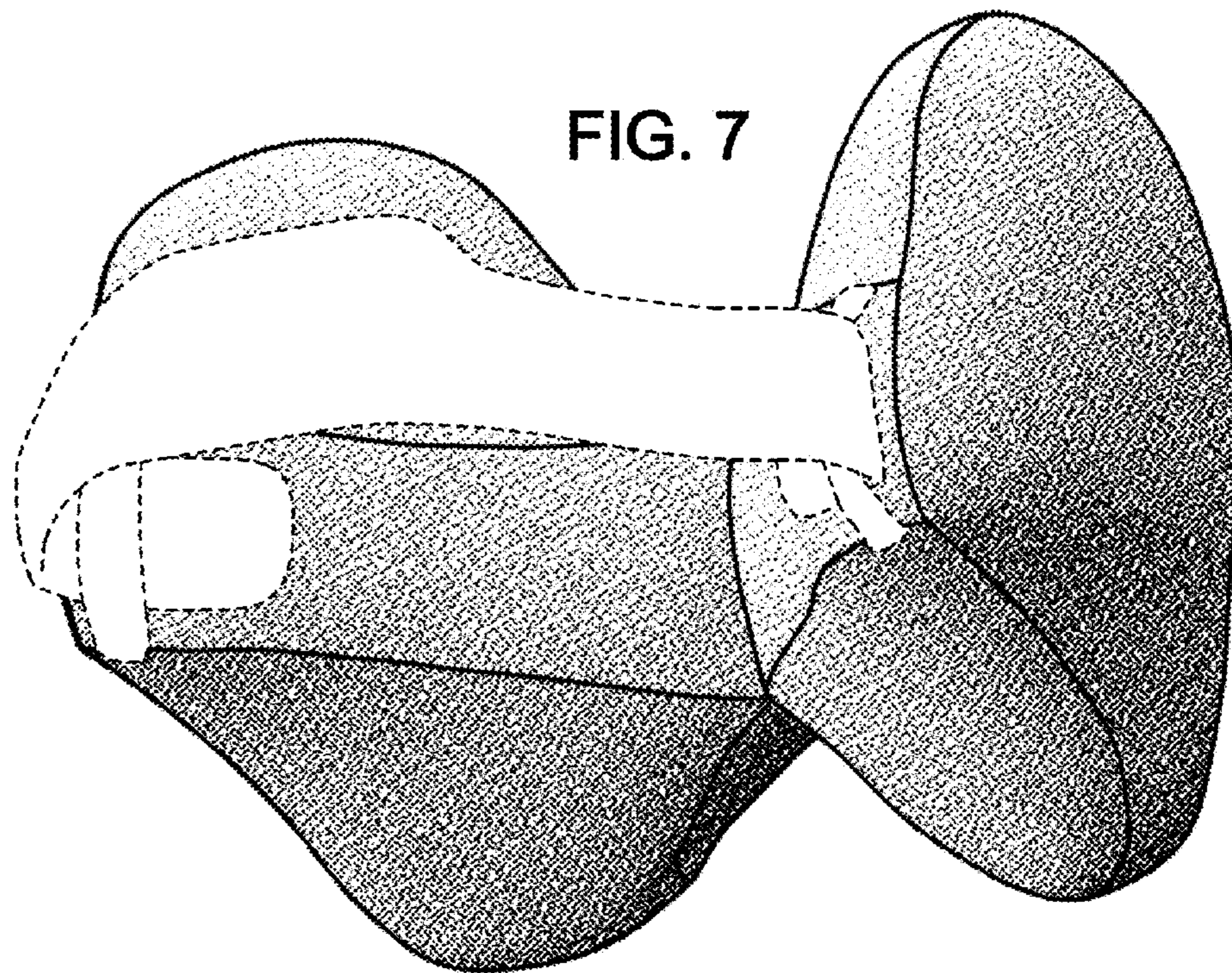
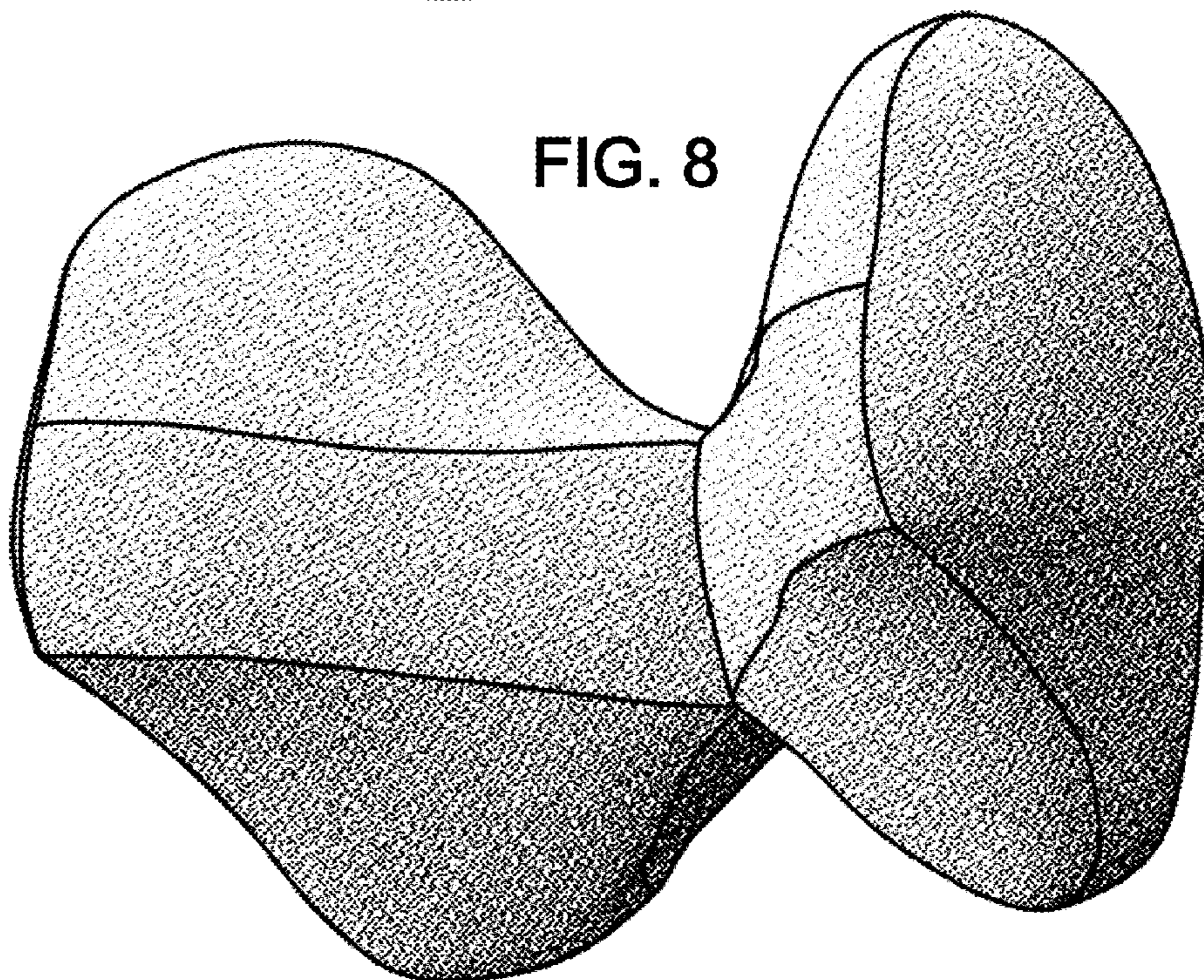


FIG. 8



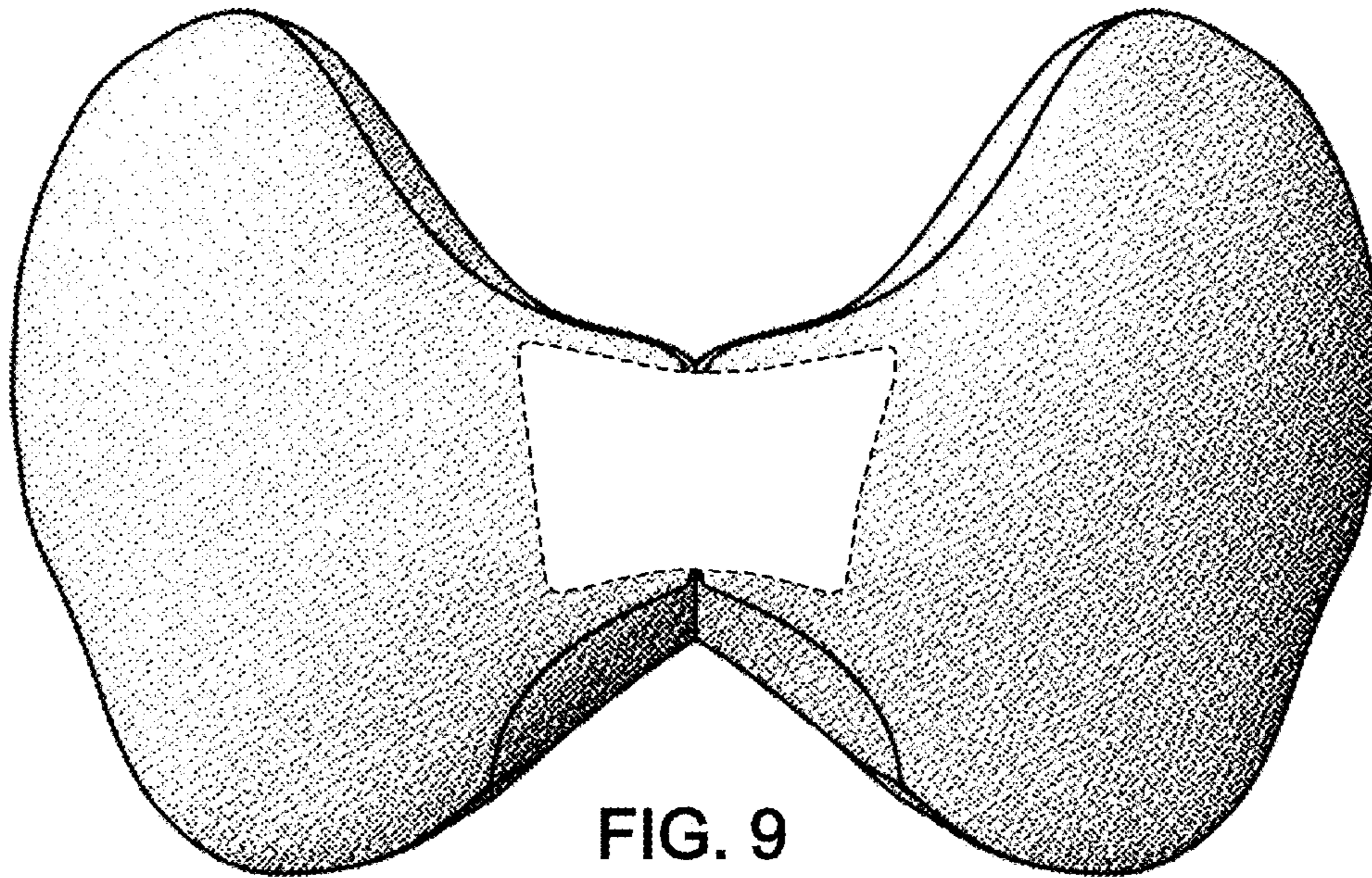


FIG. 9

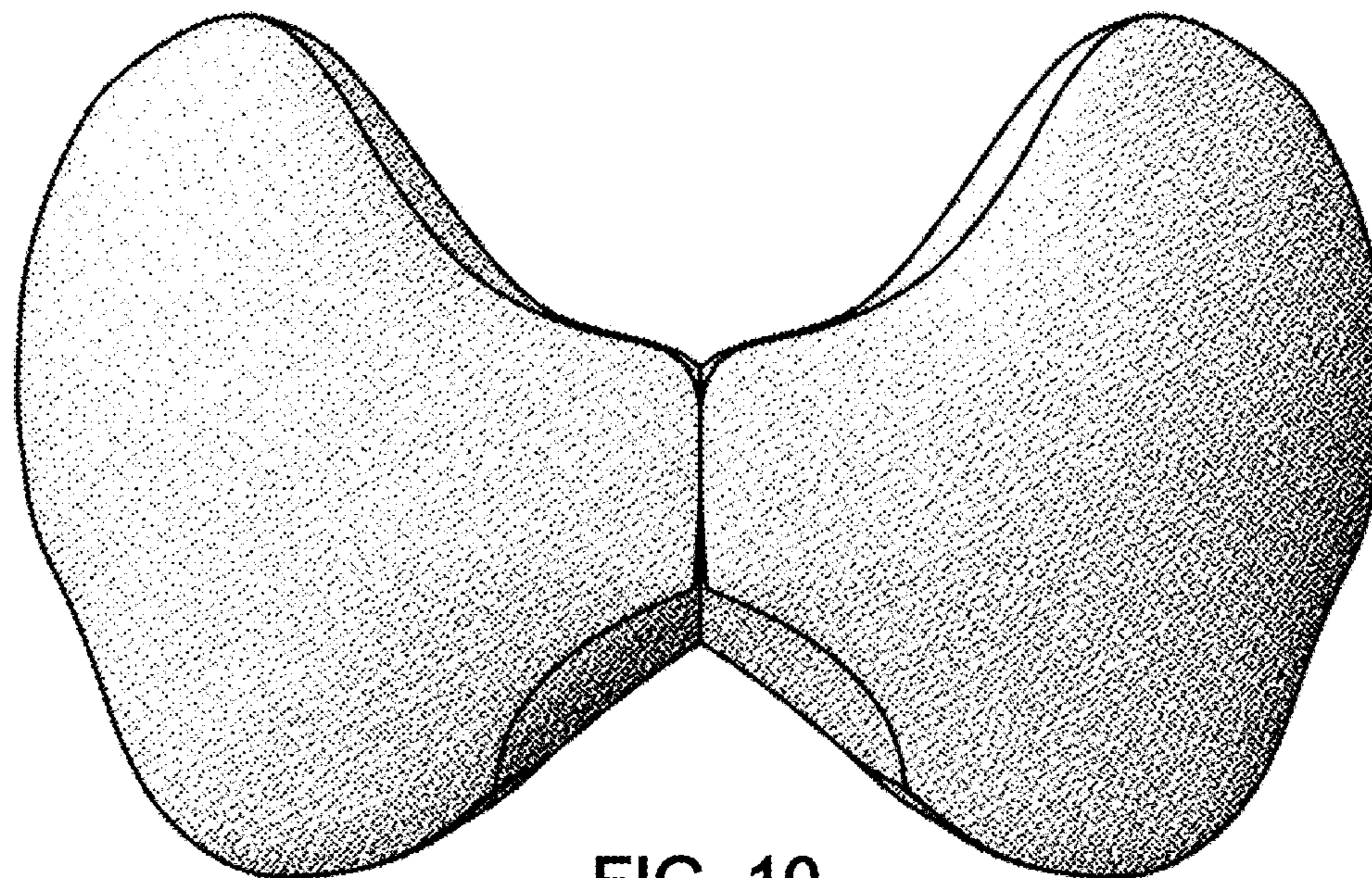


FIG. 10

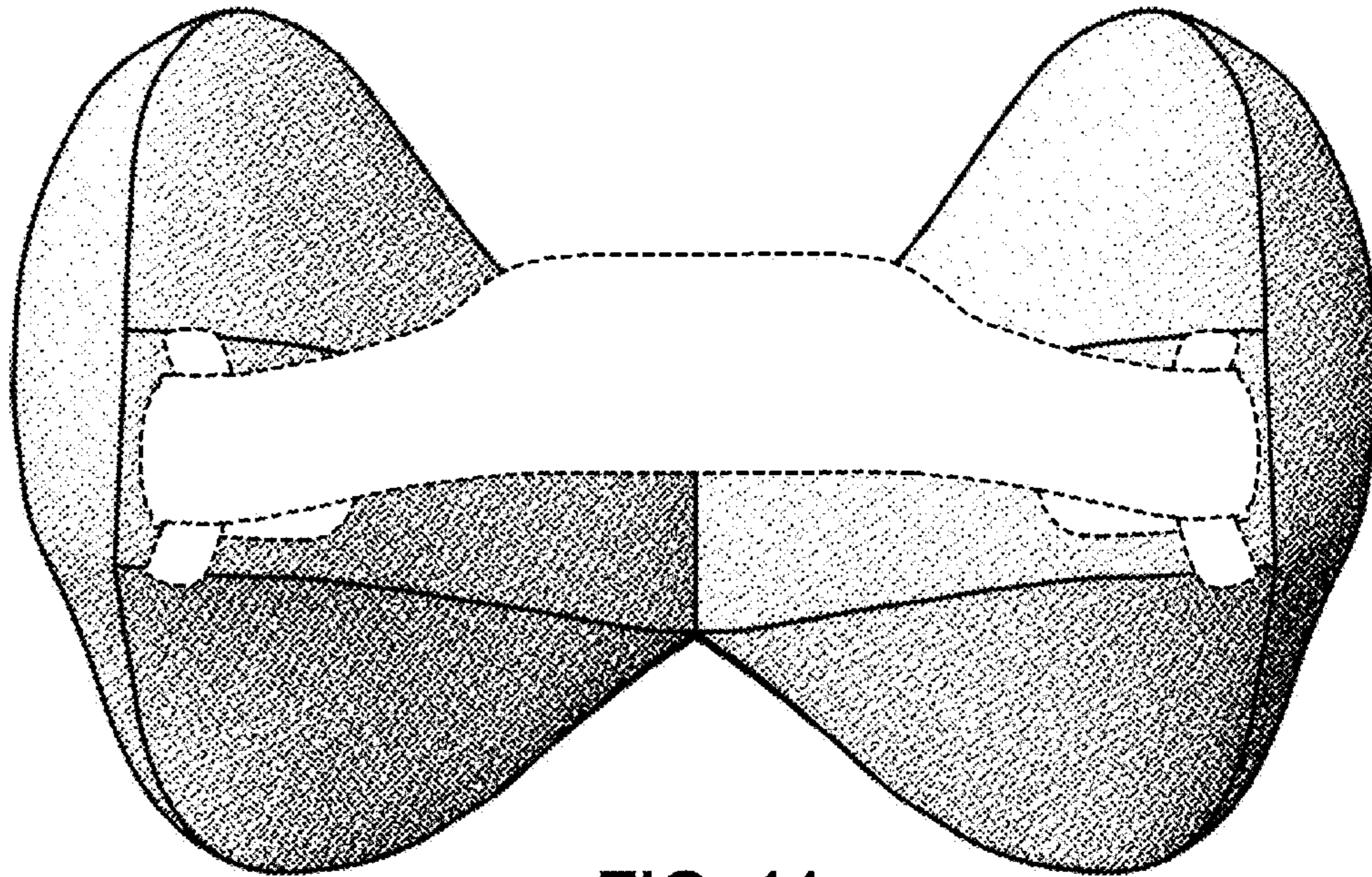


FIG. 11

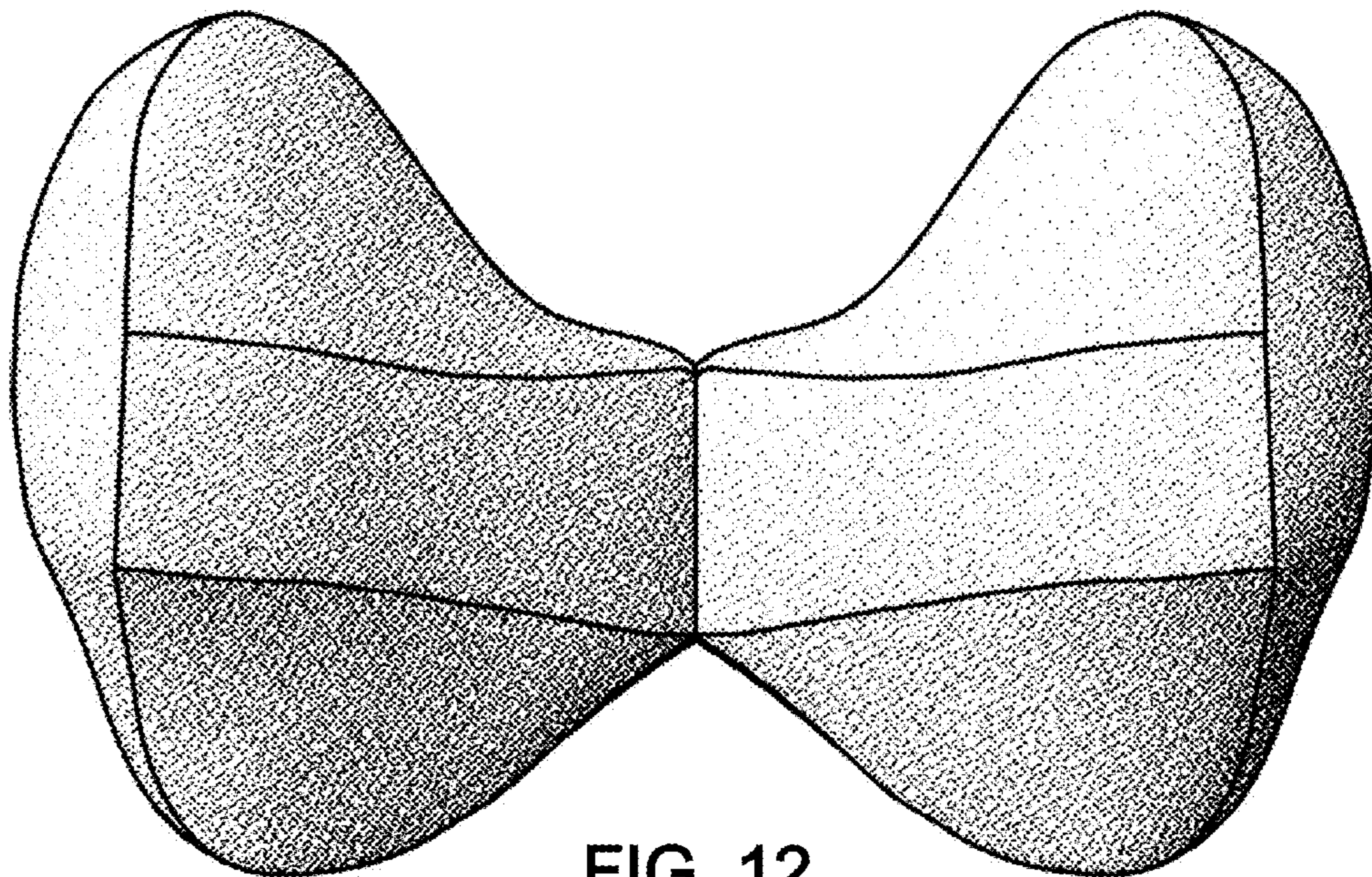


FIG. 12

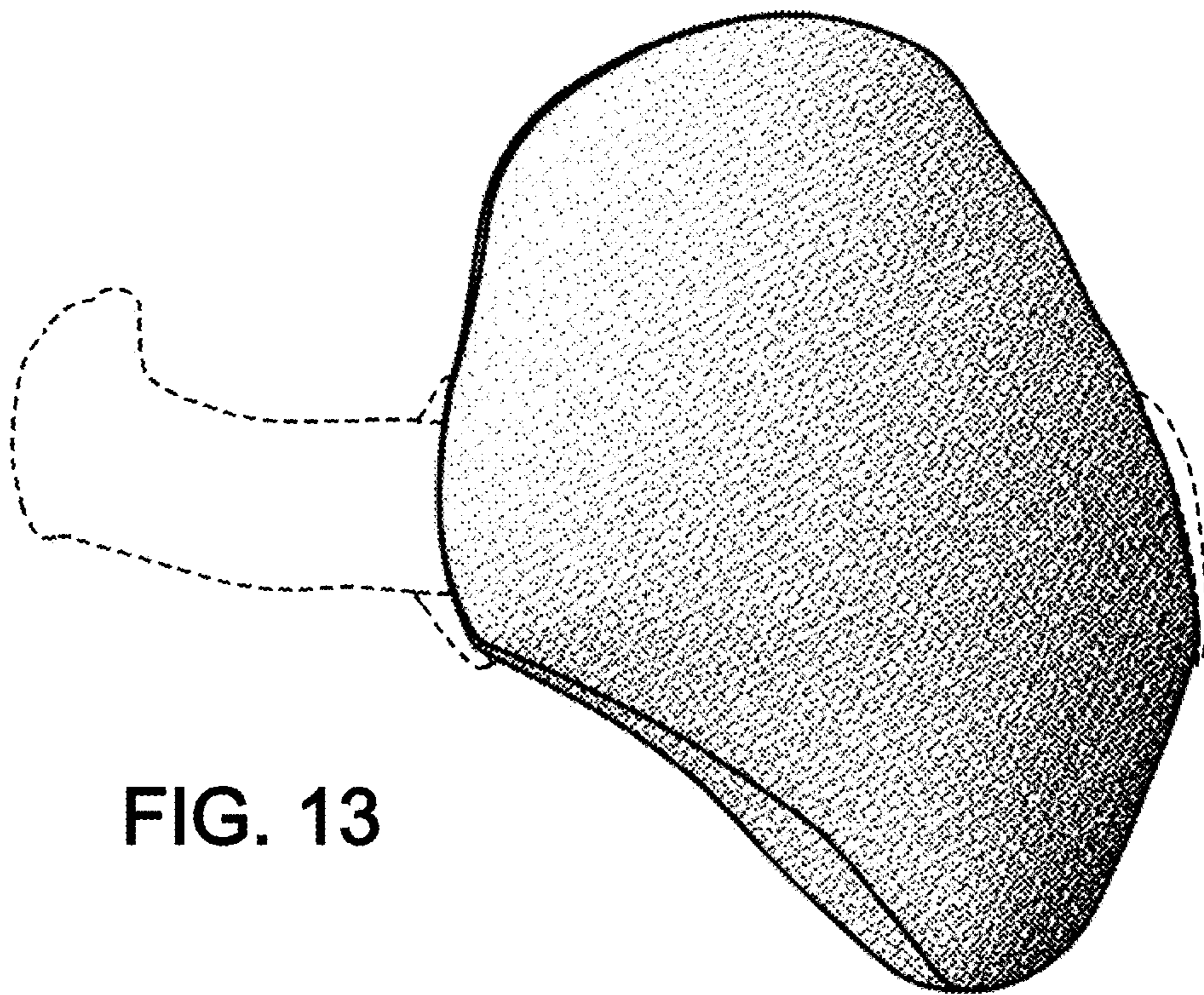


FIG. 13

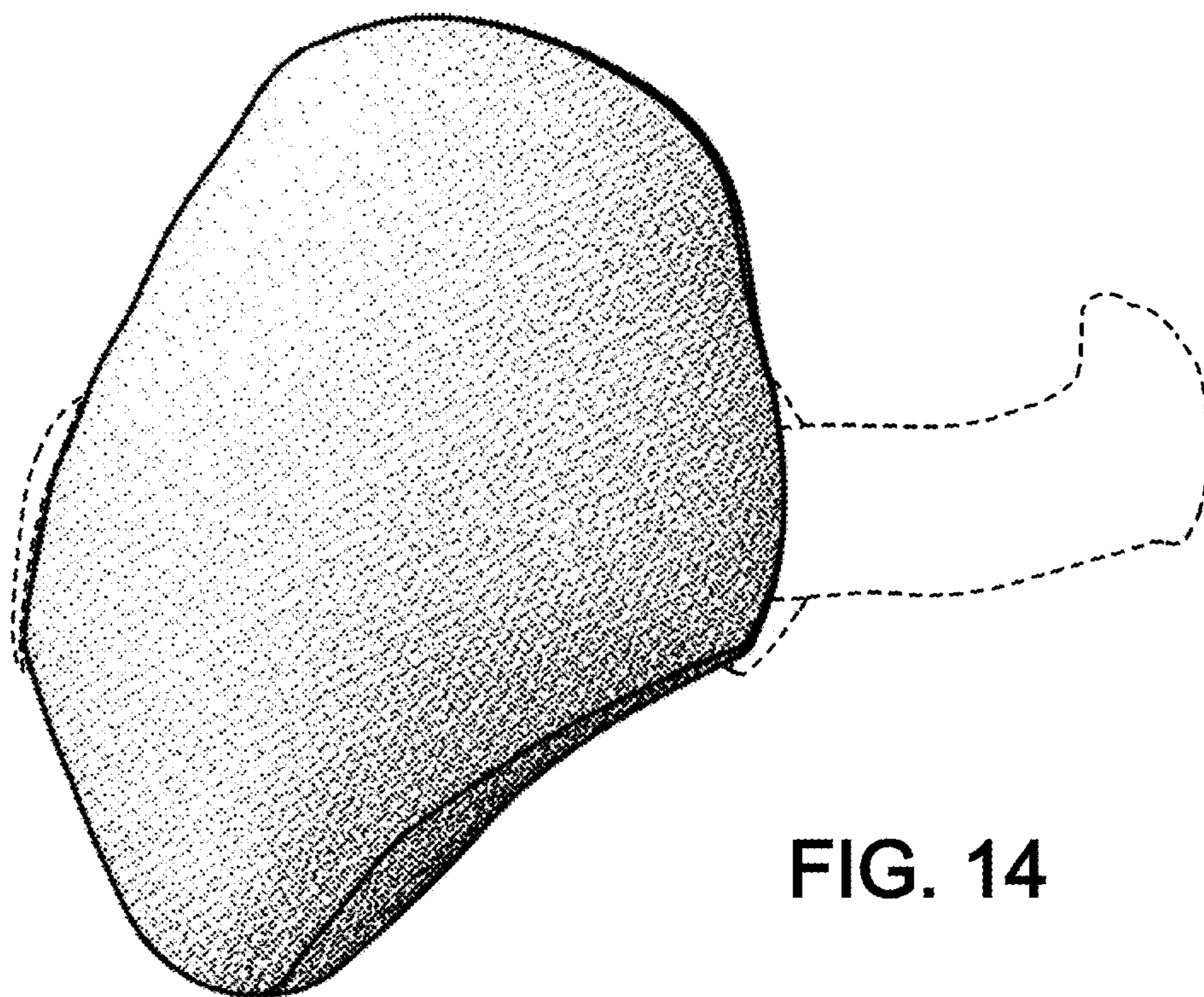
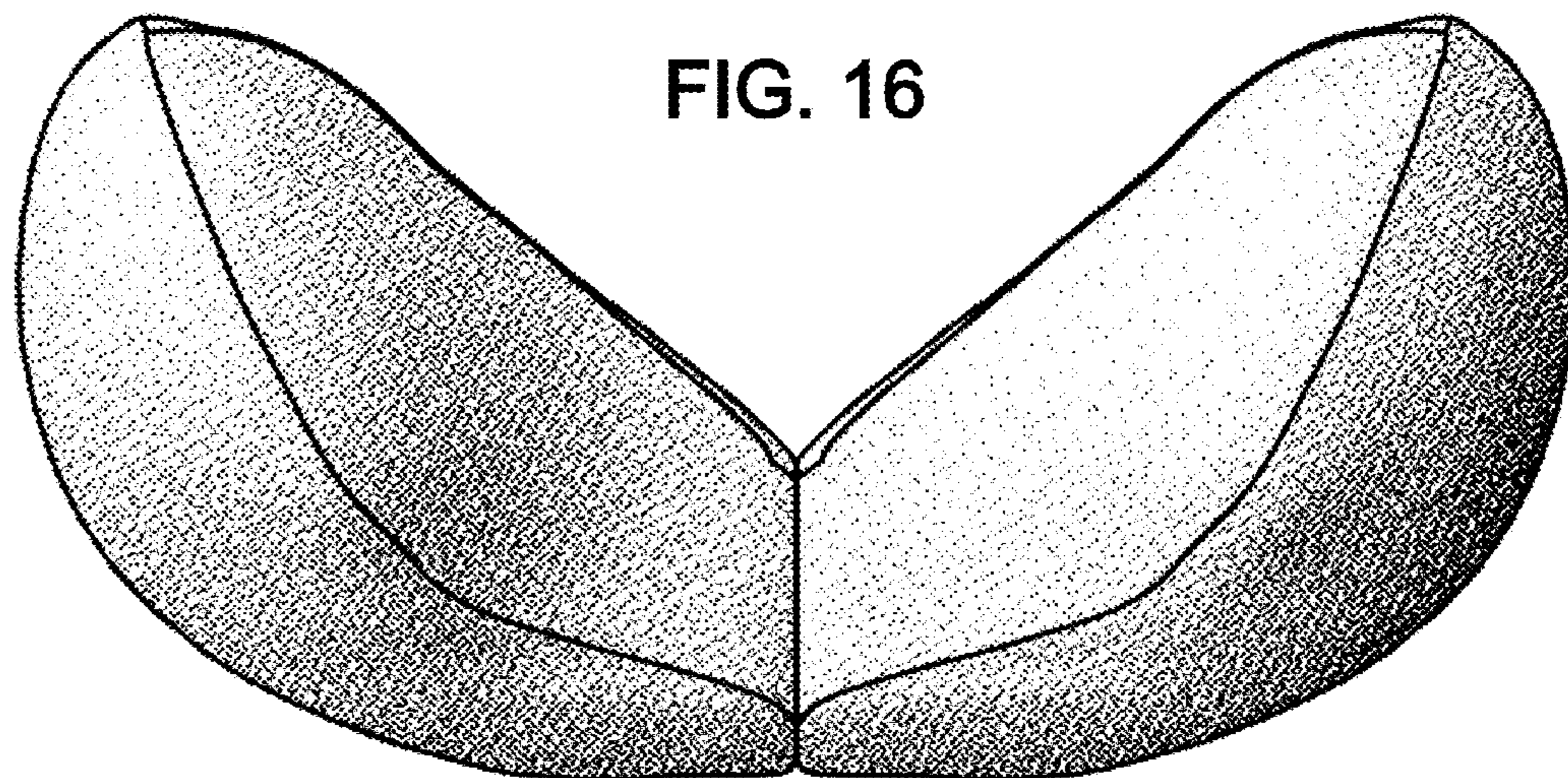
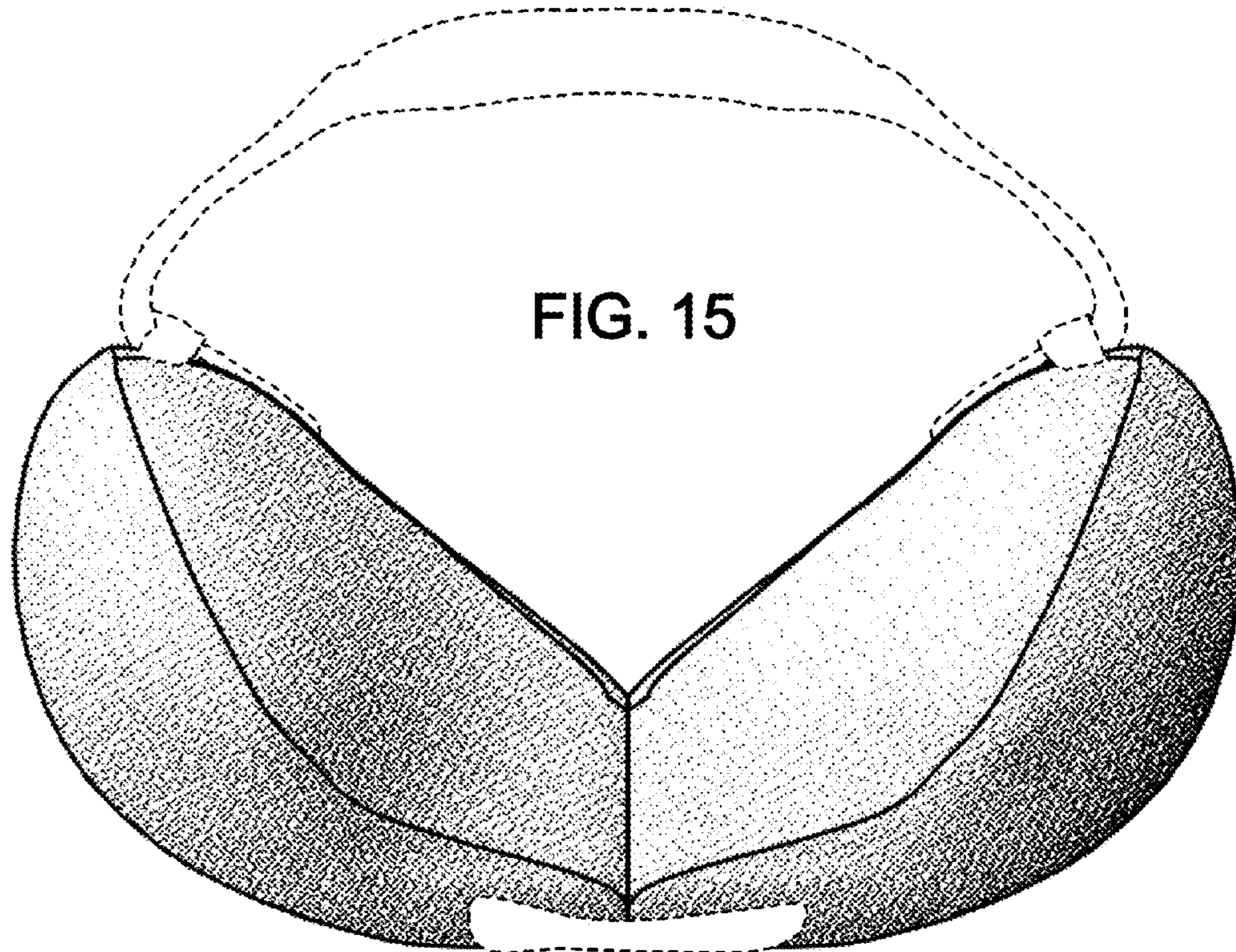


FIG. 14



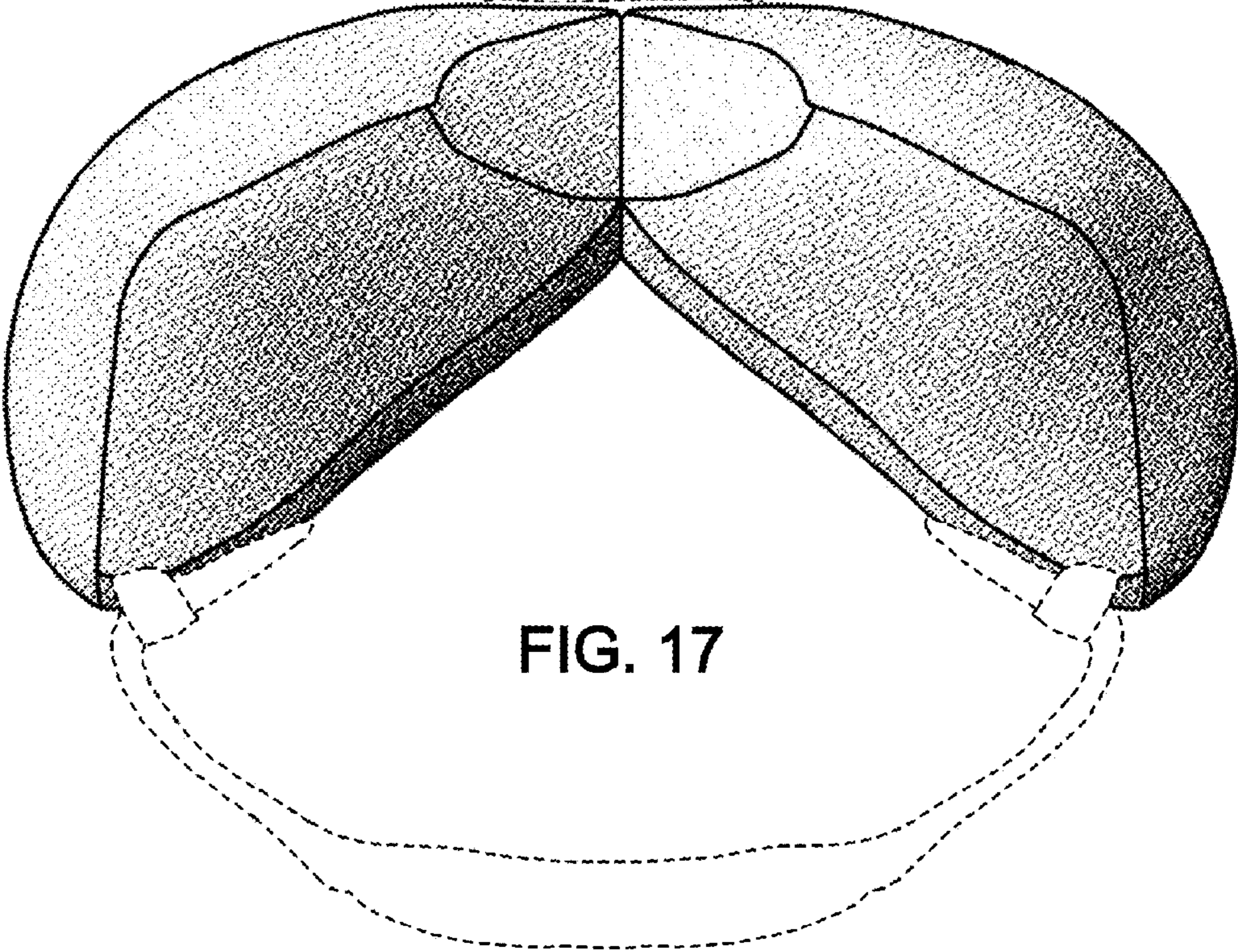


FIG. 17

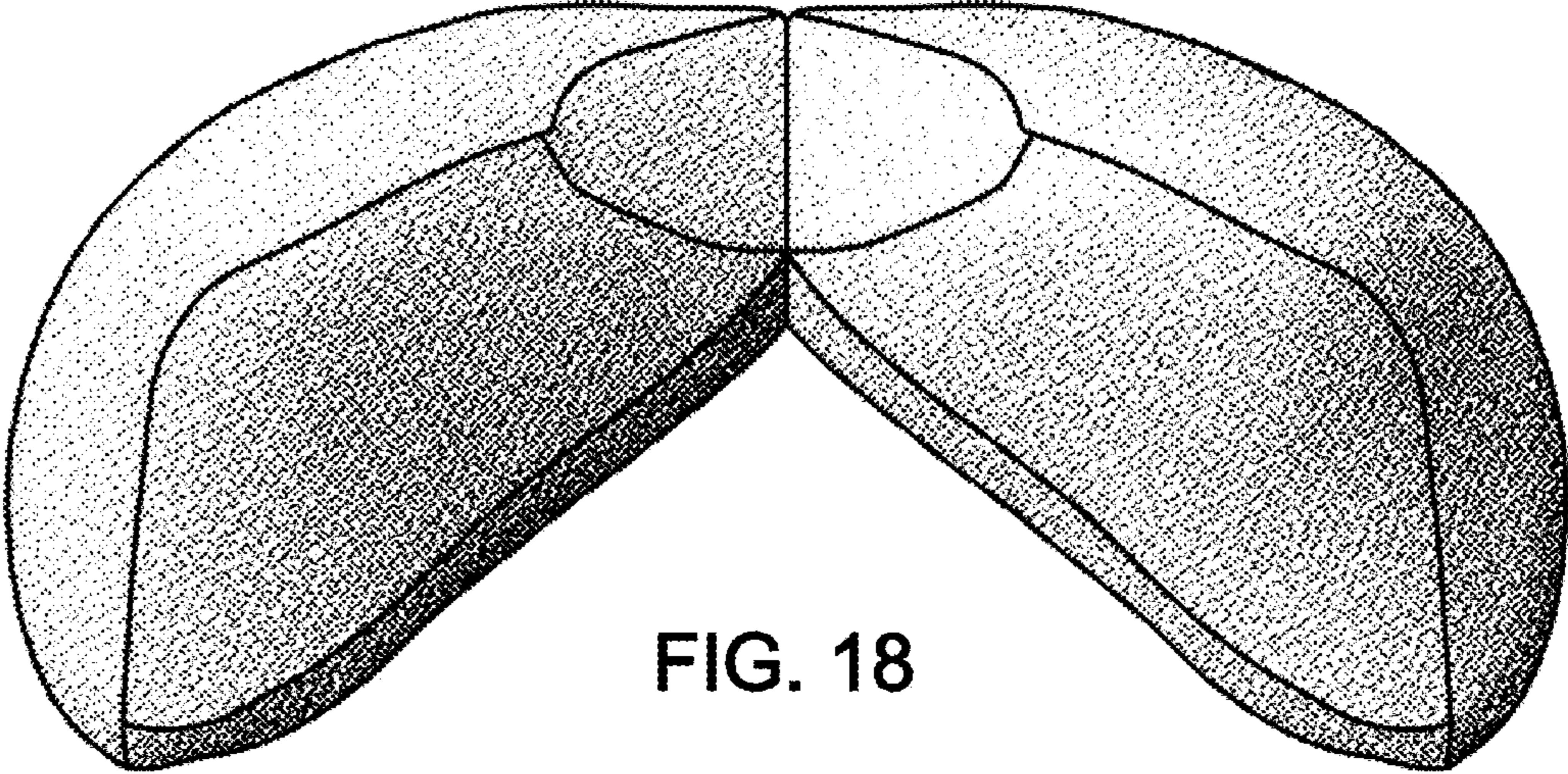


FIG. 18