



US00D766011S

(12) **United States Design Patent** (10) **Patent No.:** **US D766,011 S**
Logan (45) **Date of Patent:** **** Sep. 13, 2016**

(54) **MATTRESS PAD**

- (71) Applicant: **SILHOUETTE SLEEPER LLC**,
Richmond, VA (US)
- (72) Inventor: **Michelle Kahn Logan**, Richmond, VA
(US)
- (73) Assignee: **SILHOUETTE SLEEPER LLC**,
Richmond, VA (US)
- (**) Term: **15 Years**
- (21) Appl. No.: **29/550,151**
- (22) Filed: **Dec. 30, 2015**

Related U.S. Application Data

- (60) Division of application No. 29/500,657, filed on Aug. 27, 2014, now abandoned, which is a continuation-in-part of application No. 29/494,729, filed on Jun. 24, 2014.
- (51) **LOC (10) Cl.** **06-09**
- (52) **U.S. Cl.**
USPC **D6/596**
- (58) **Field of Classification Search**
USPC D6/349, 375, 512, 595, 596, 601, 604,
D6/611, 715, 716, 716.1; D21/803, 804,
D21/805, 809; D24/183-185, 234; 5/401,
5/417, 419, 420, 600, 625, 630-636, 638,
5/639, 646, 652, 653, 655, 655.4, 690,
5/703, 730, 933, 946, 947; 128/202.18,
128/845; 297/180.11, 393, 397, 452.26,
297/452.48, 452.62, 482; 441/127; 602/13;
D19/88, 113; D9/418, 456, 457;
D7/698
CPC A61G 2205/00; A61G 13/121; A61G
13/122; A61G 2203/70; A61G 67/047;
A61G 67/0575; A47J 45/00; A47J 47/005
See application file for complete search history.

(56) **References Cited**

U.S. PATENT DOCUMENTS

414,090	A *	10/1889	Taylor	B21C 3/06 112/222
3,146,469	A *	9/1964	Slade	A47C 27/144 5/695
D270,800	S *	10/1983	Fuller	D21/479
D278,779	S *	5/1985	Sink	5/653
4,628,557	A *	12/1986	Murphy	A47C 27/148 5/699
6,243,898	B1 *	6/2001	Ruff	A61G 7/02 5/609
6,761,604	B1 *	7/2004	Hronek	B63B 7/00 441/129
6,854,144	B1 *	2/2005	Mehring, Jr.	A47C 27/20 5/722
6,931,684	B1 *	8/2005	Henegar	A61G 7/02 5/604

(Continued)

Primary Examiner — Mary Ann Calabrese
Assistant Examiner — Jennifer L Rempfer
 (74) *Attorney, Agent, or Firm* — Brian J. Teague

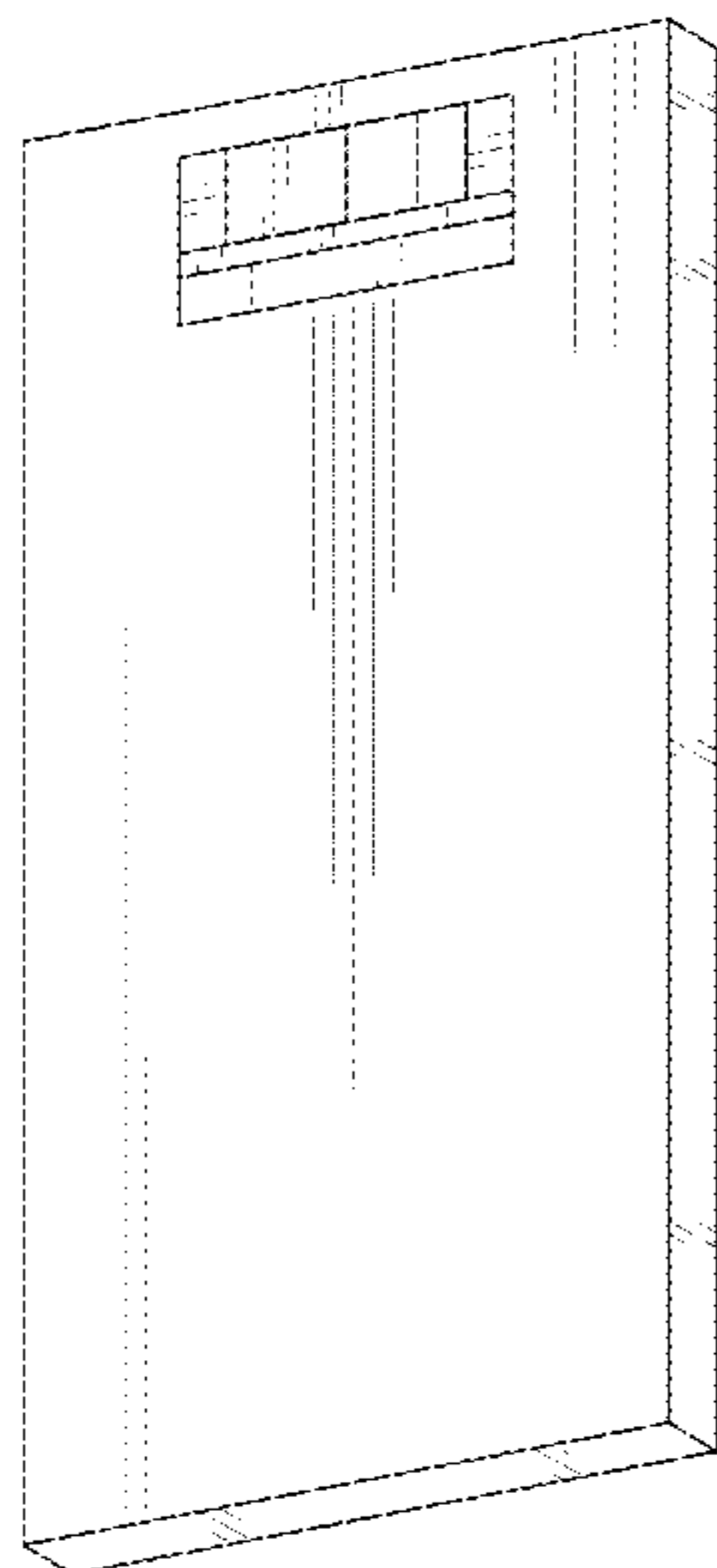
(57) **CLAIM**

I claim the ornamental design for a mattress pad, as shown and described.

DESCRIPTION

FIG. 1 is a perspective view of a mattress pad showing the new design, as viewed from the front, right, and bottom; FIG. 2 is a perspective view thereof, as viewed from the rear, left, and top; FIG. 3 is a front view thereof. The rear view is identical; FIG. 4 is a top view thereof. The bottom view is identical; FIG. 5 is a right side view thereof. The left side view is identical; FIG. 6 is a perspective exploded view thereof, as viewed from the front, left, and bottom; and, FIG. 7 is a perspective exploded view thereof, as viewed from the rear, right, and top.

1 Claim, 5 Drawing Sheets



(56)

References Cited

U.S. PATENT DOCUMENTS

7,123,148 B2 *	10/2006	Trosper	G06K 7/0008	340/10.1
D546,106 S *	7/2007	Haile	D6/601	
D585,139 S *	1/2009	Andrews	D24/184	
7,636,967 B1 *	12/2009	Stokes	A61G 13/009	5/620
8,458,835 B2 *	6/2013	Muratalla	A47C 20/026	5/630
2002/0020022 A1 *	2/2002	Bernstein	A47C 20/025	5/722
2004/0194218 A1 *	10/2004	Hayes	A61G 7/02	5/695
2004/0217533 A1 *	11/2004	Mok	A47J 47/005	269/289 R

* cited by examiner

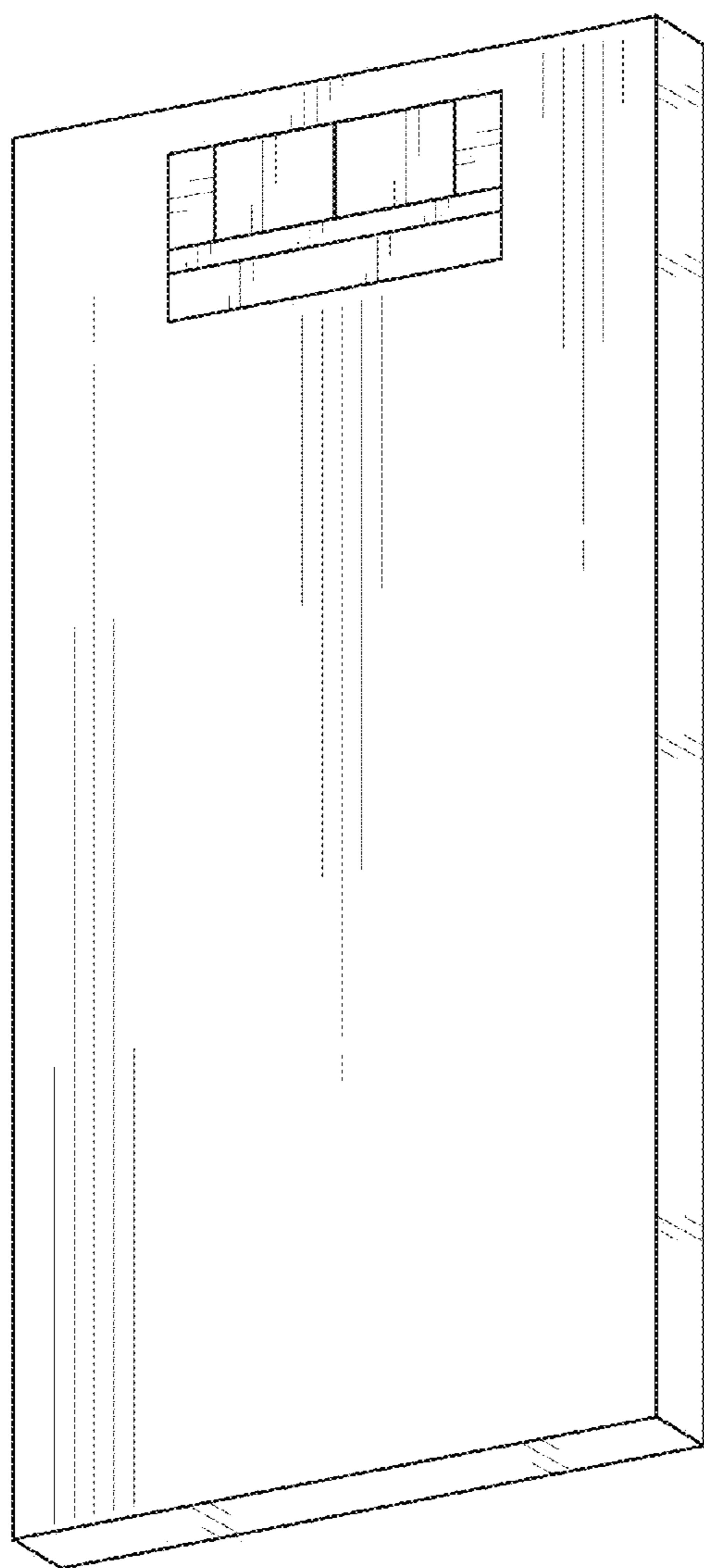


FIG. 1

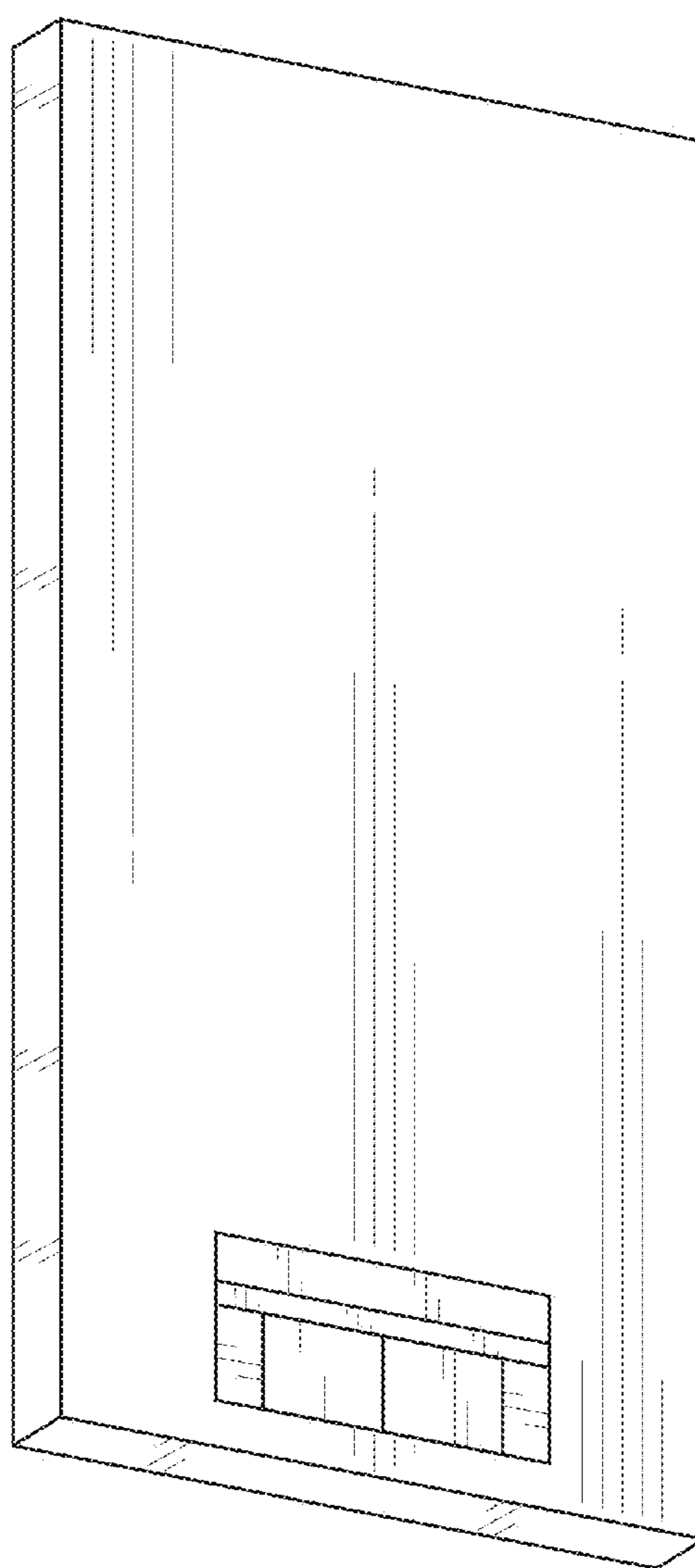


FIG. 2

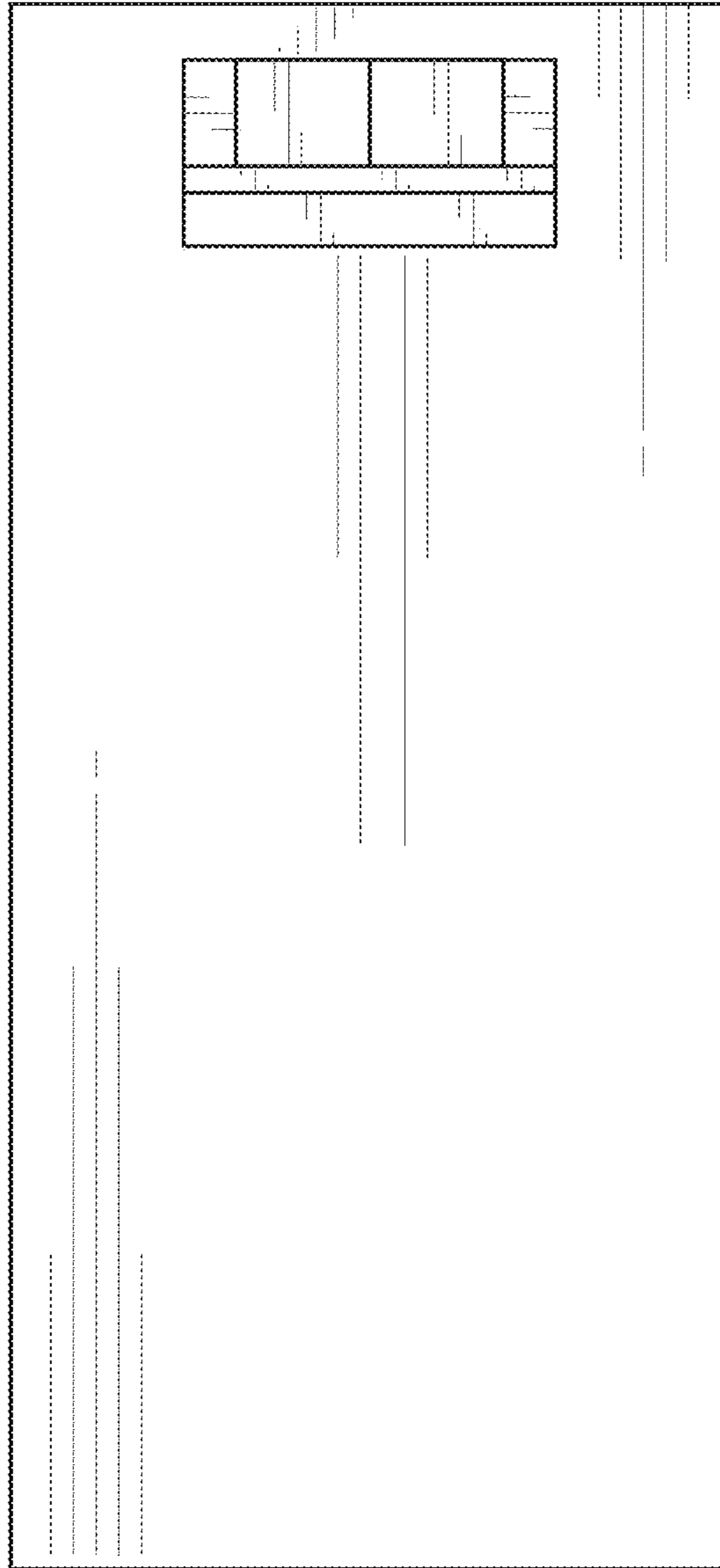


FIG. 3



FIG. 4



FIG. 5

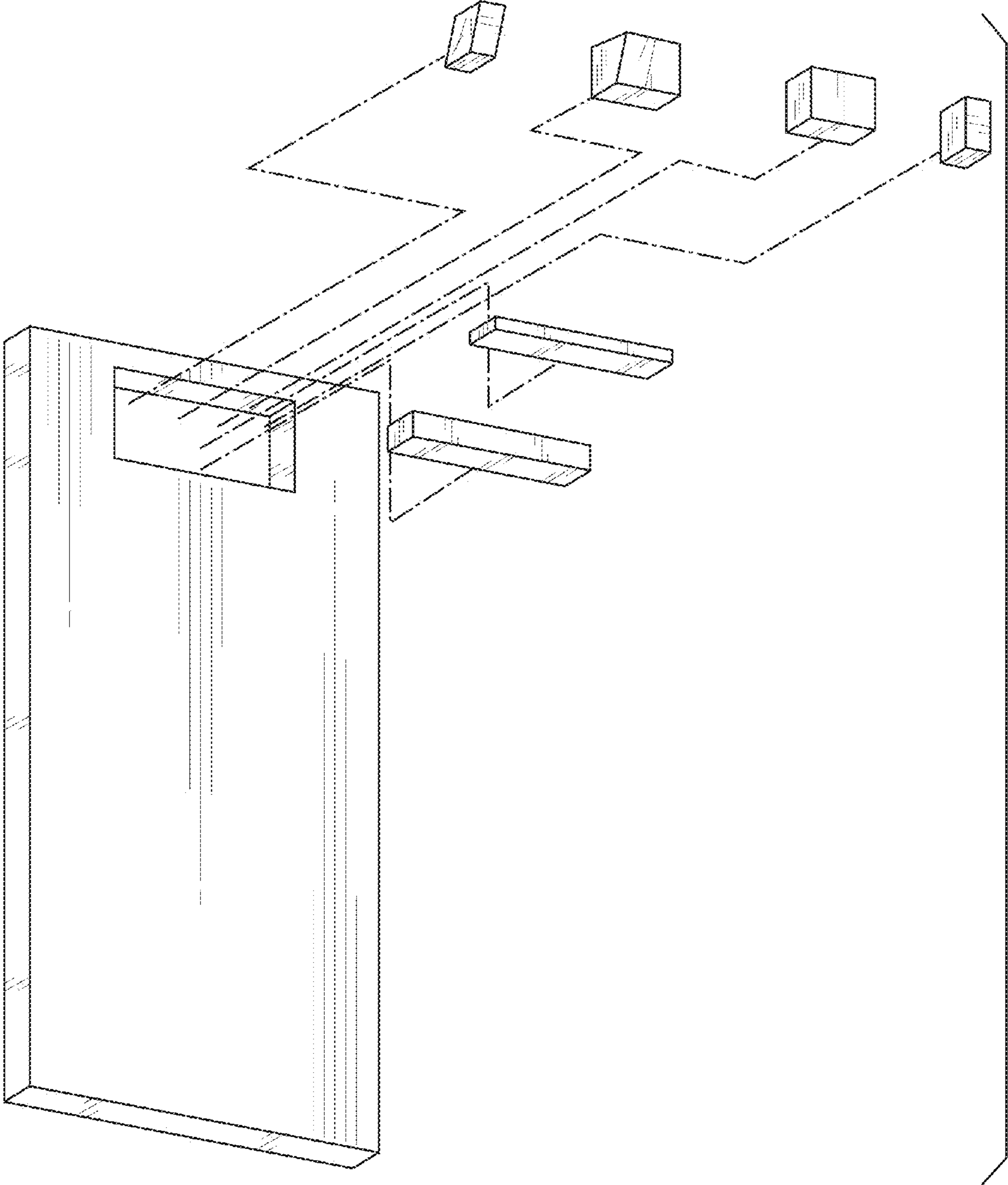


FIG. 6

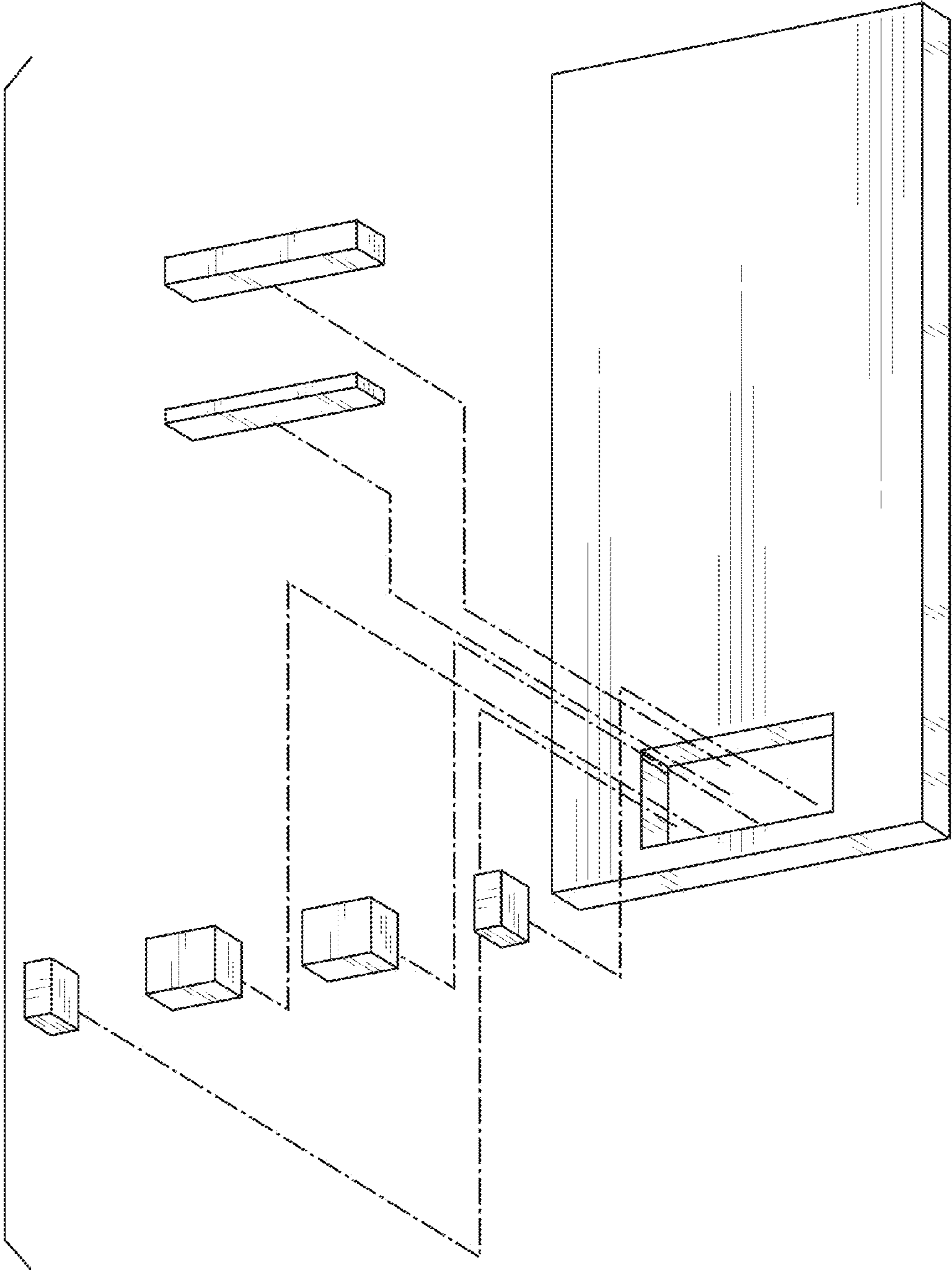


FIG. 7