



US00D766010S

(12) **United States Design Patent**
Balz et al.

(10) **Patent No.:** **US D766,010 S**

(45) **Date of Patent:** **** Sep. 13, 2016**

(54) **ATTACHMENT PUCK**

(71) Applicant: **Ecolab USA Inc.**, St. Paul, MN (US)

(72) Inventors: **Eric R. Balz**, Stillwater, MN (US);
Eric Gingras, Herber City, UT (US);
Scott Latimer, Flower Mound, TX (US)

(73) Assignee: **Ecolab USA Inc.**, St. Paul, MN (US)

(**) Term: **14 Years**

(21) Appl. No.: **29/514,778**

(22) Filed: **Jan. 16, 2015**

(51) **LOC (10) Cl.** **06-04**

(52) **U.S. Cl.**
USPC **D6/553**

(58) **Field of Classification Search**
USPC D6/553, 554; D8/71, 499; D24/199;
D26/156; D34/6, 14; 206/198, 203,
206/207, 349, 372, 561; 312/902
CPC A45C 2200/20; A45F 2200/0575;
A45F 5/00; B25H 3/06
See application file for complete search history.

(56) **References Cited**

U.S. PATENT DOCUMENTS

D325,280 S * 4/1992 Nelson D3/309
D379,890 S * 6/1997 Hampshire D6/525
6,119,862 A * 9/2000 Childress B65D 1/36
206/557

D482,555 S * 11/2003 Johansson D6/525
D541,531 S * 5/2007 Leao D3/308
D639,359 S * 6/2011 Rauwerdink D21/686
D677,086 S * 3/2013 Elshani D6/525
D698,644 S * 2/2014 Teopas D24/227
9,247,787 B2* 2/2016 Dering A45F 5/00

* cited by examiner

Primary Examiner — Wan Laymon

Assistant Examiner — Mark Booker

(74) *Attorney, Agent, or Firm* — McKee, Voorhees & Sease
PLC

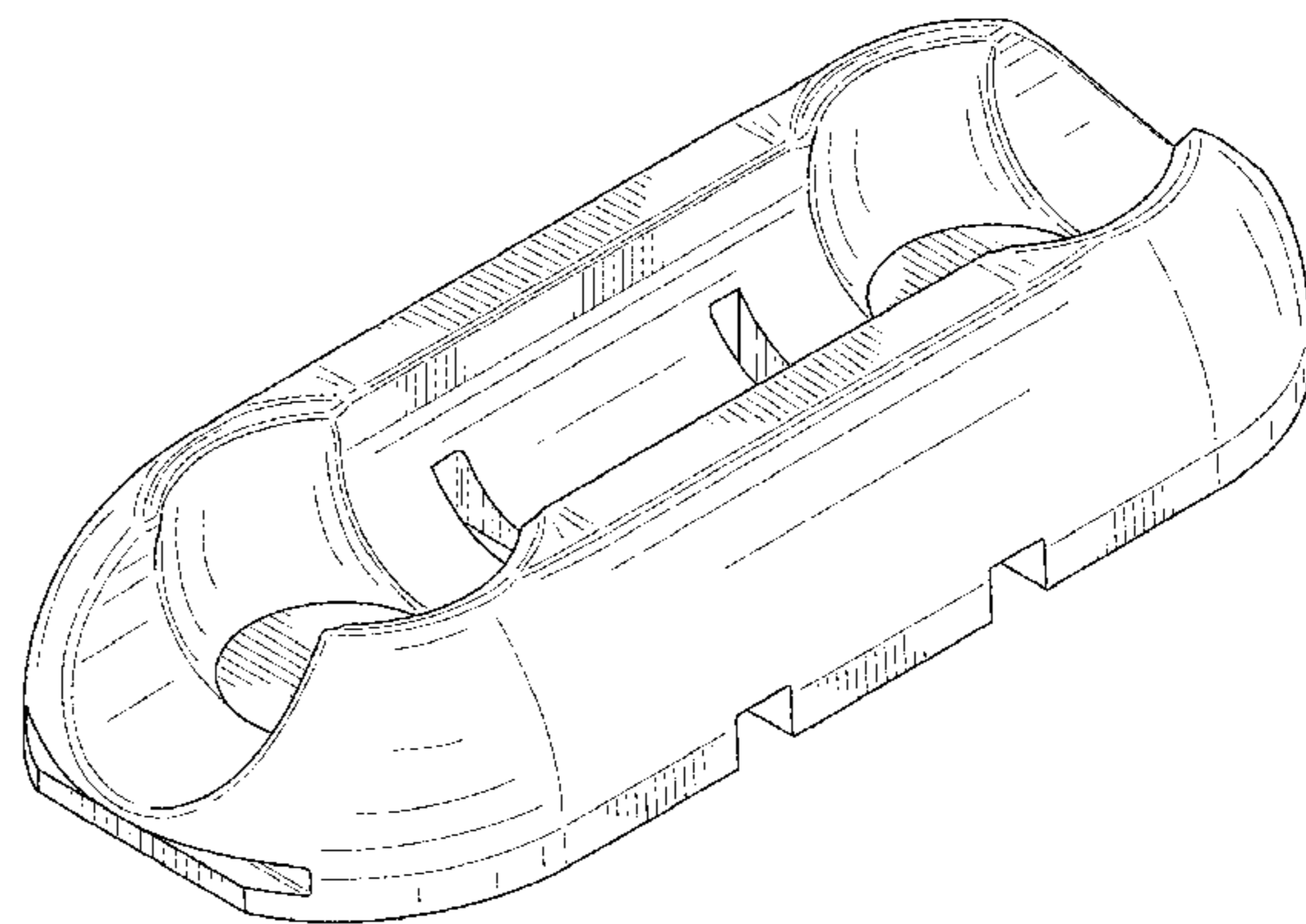
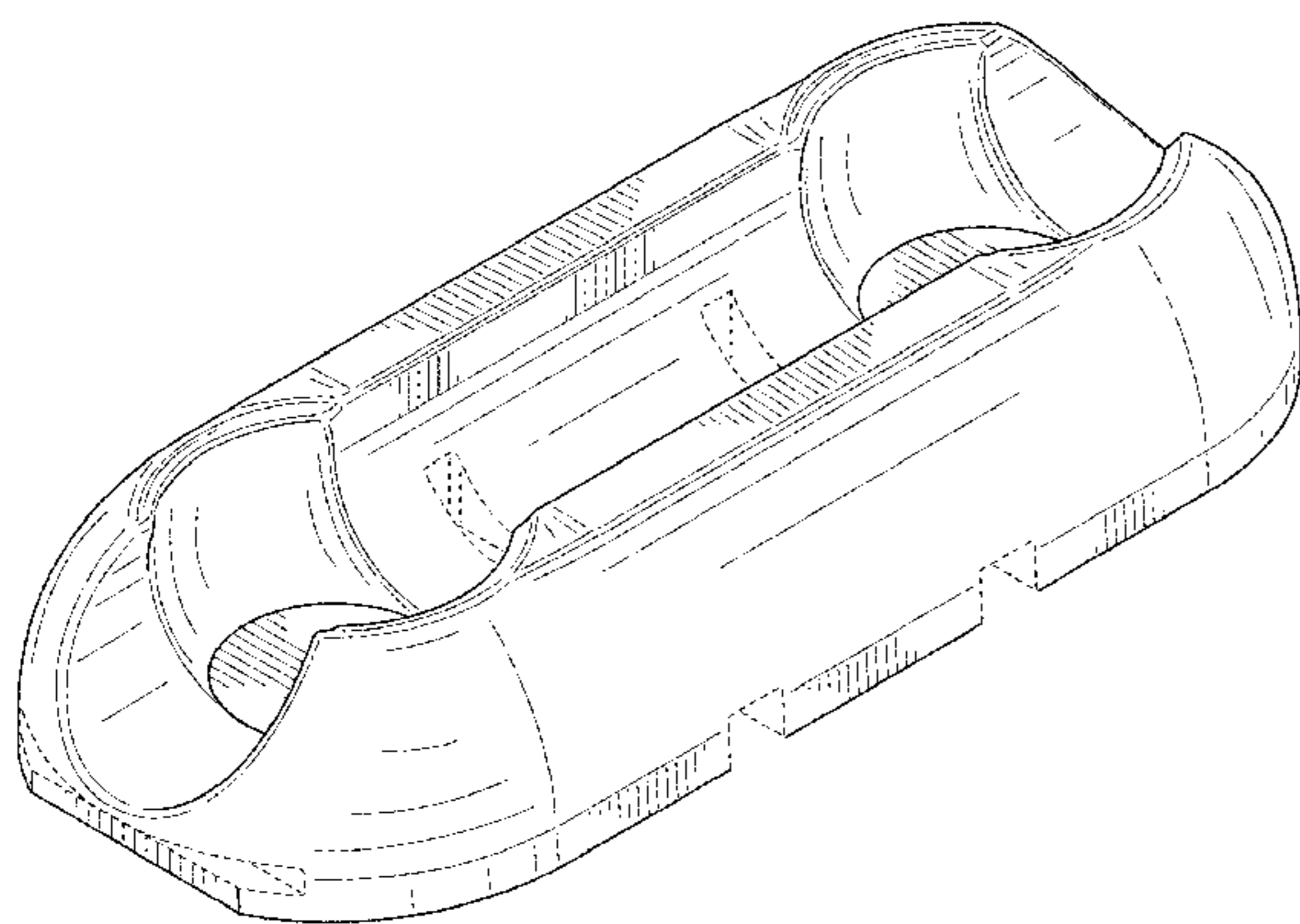
(57) **CLAIM**

The ornamental design for an attachment puck, substantially as shown and described.

DESCRIPTION

FIG. 1 is a front perspective view of the claimed design; FIG. 2 is another front perspective view of the claimed design; FIG. 3 is a back perspective view of FIG. 2; FIG. 4 is a top plan view of FIG. 2; FIG. 5 is a bottom plan view of FIG. 2; FIG. 6 is a front elevation view of FIG. 2; FIG. 7 is a back elevation view of FIG. 2; FIG. 8 is a right side elevation view of FIG. 2; and, FIG. 9 is a left side elevation view of FIG. 2. The broken lines shown in the drawings illustrating unclaimed portions of the attachment puck form no part of the claimed design.

1 Claim, 5 Drawing Sheets



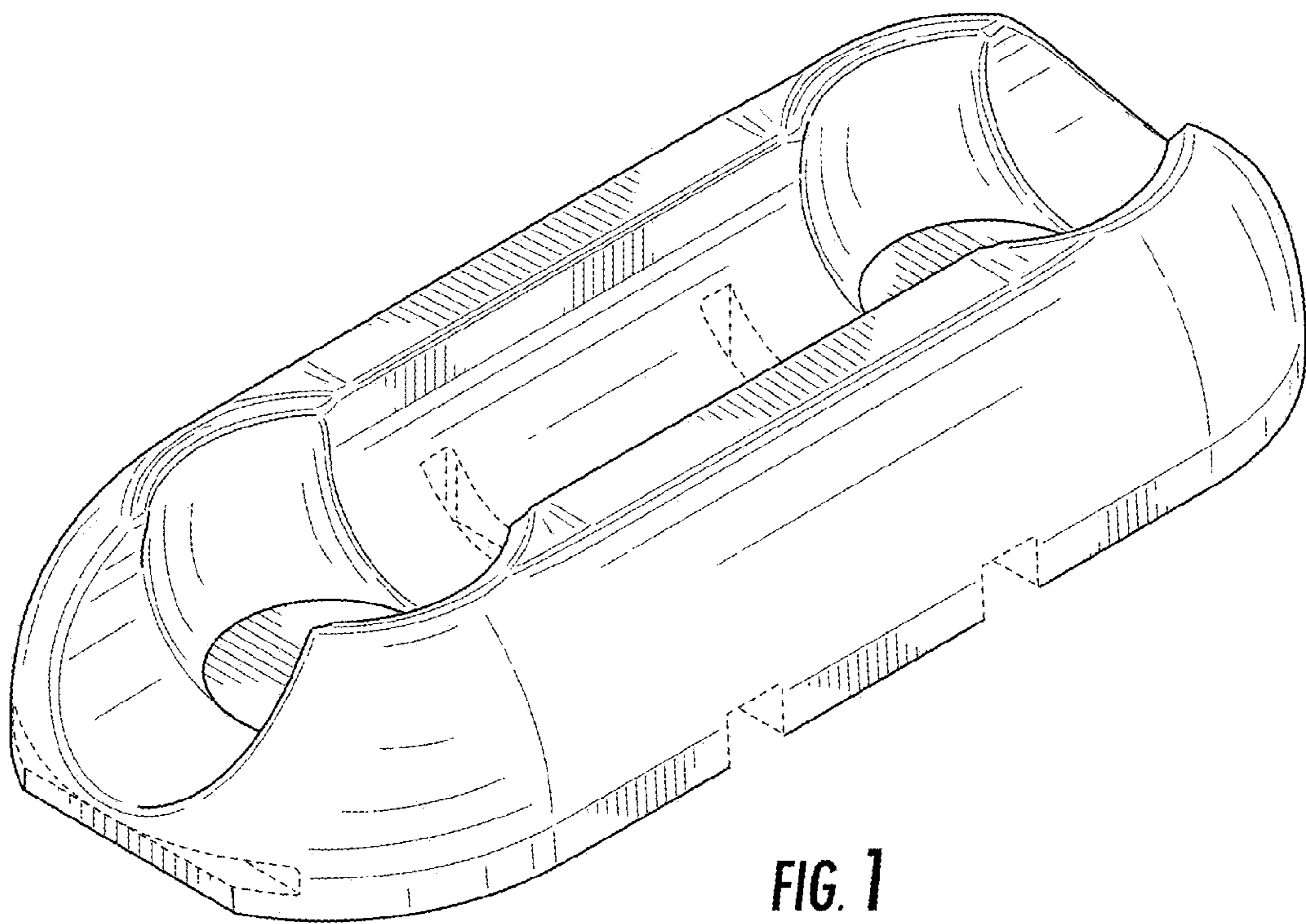


FIG. 1

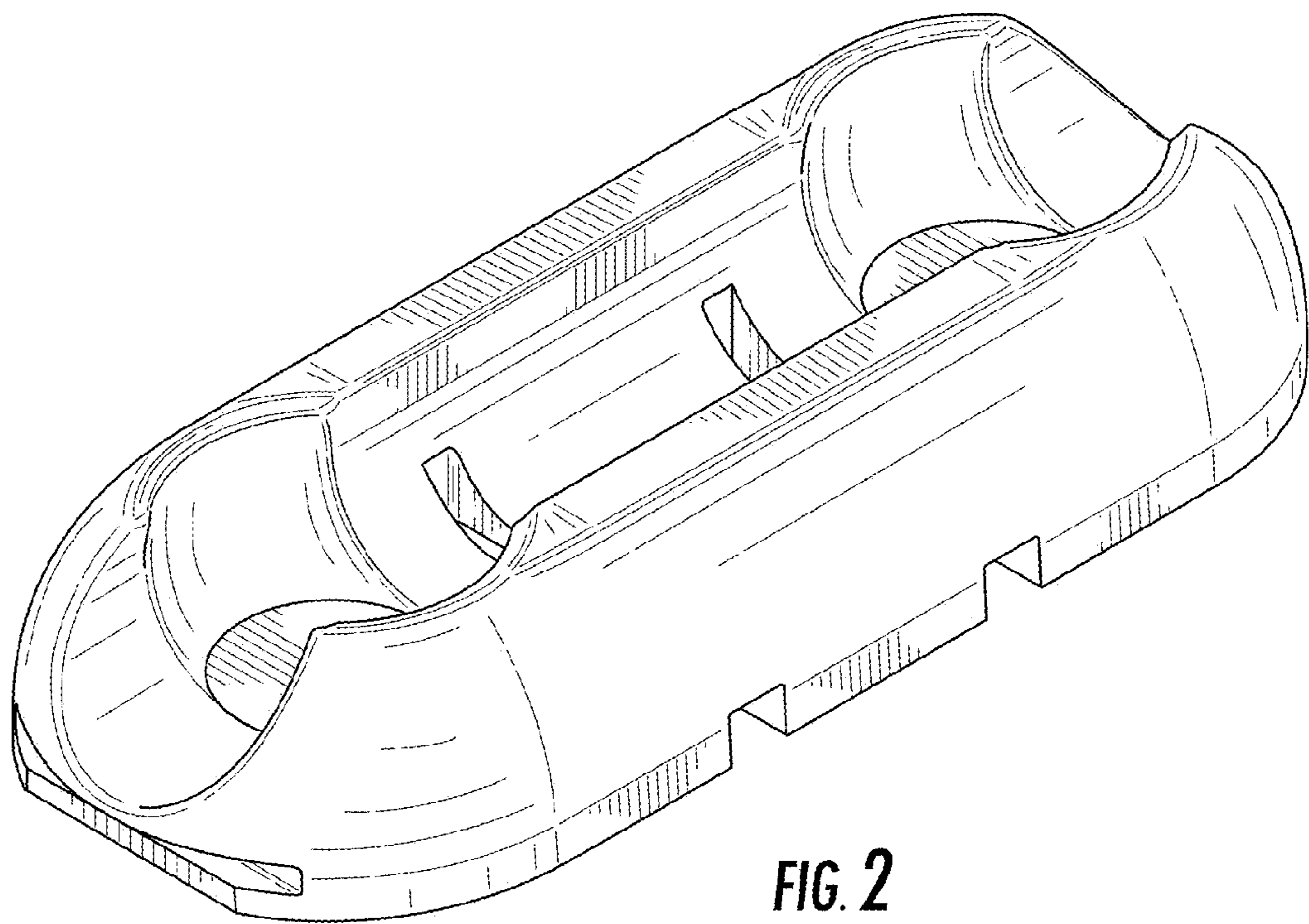


FIG. 2

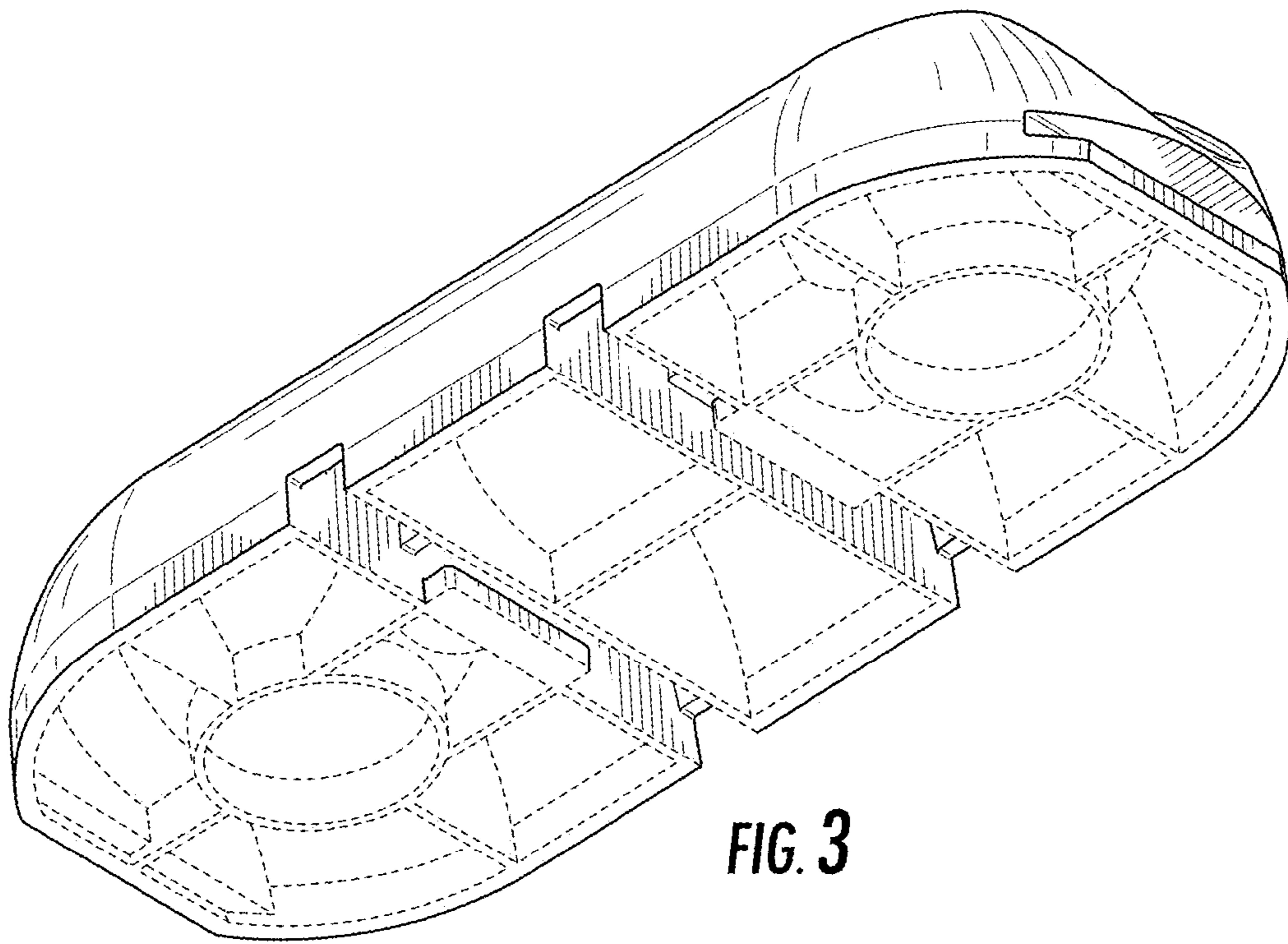


FIG. 3

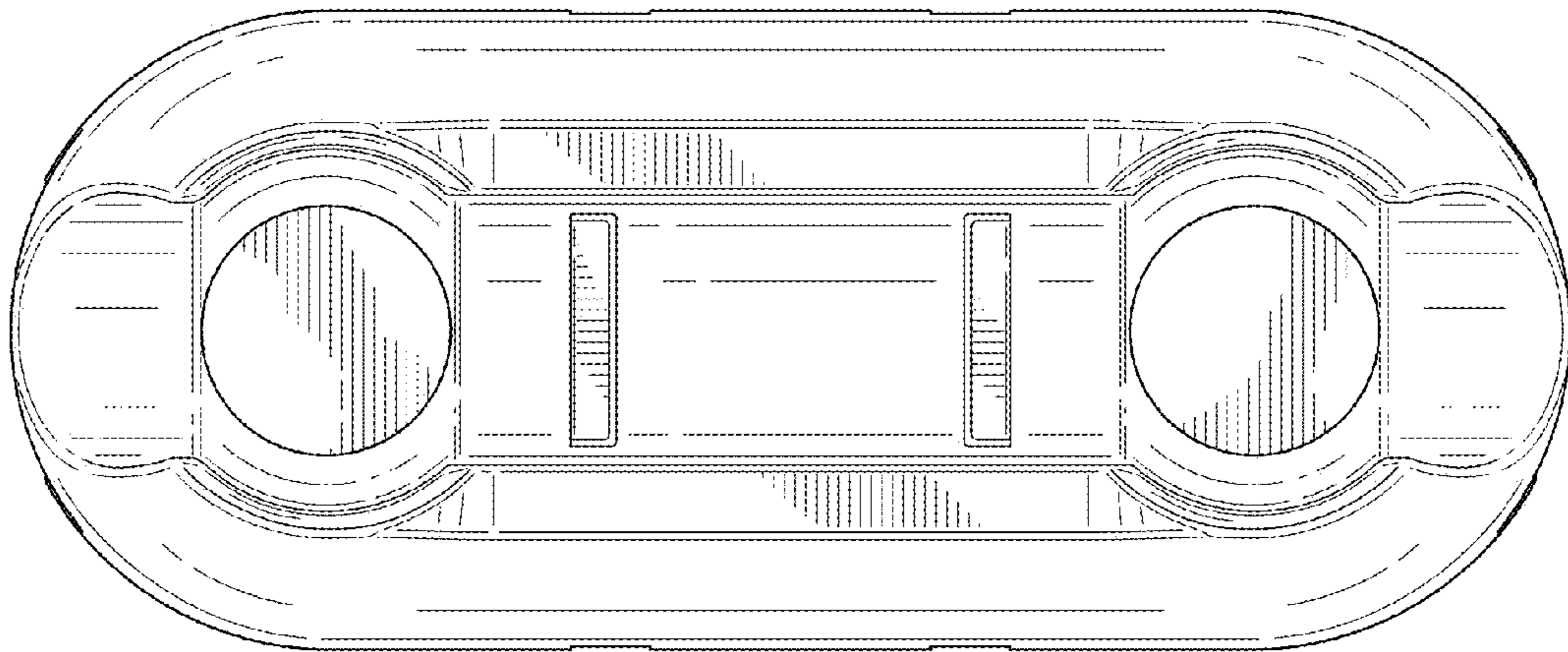


FIG. 4

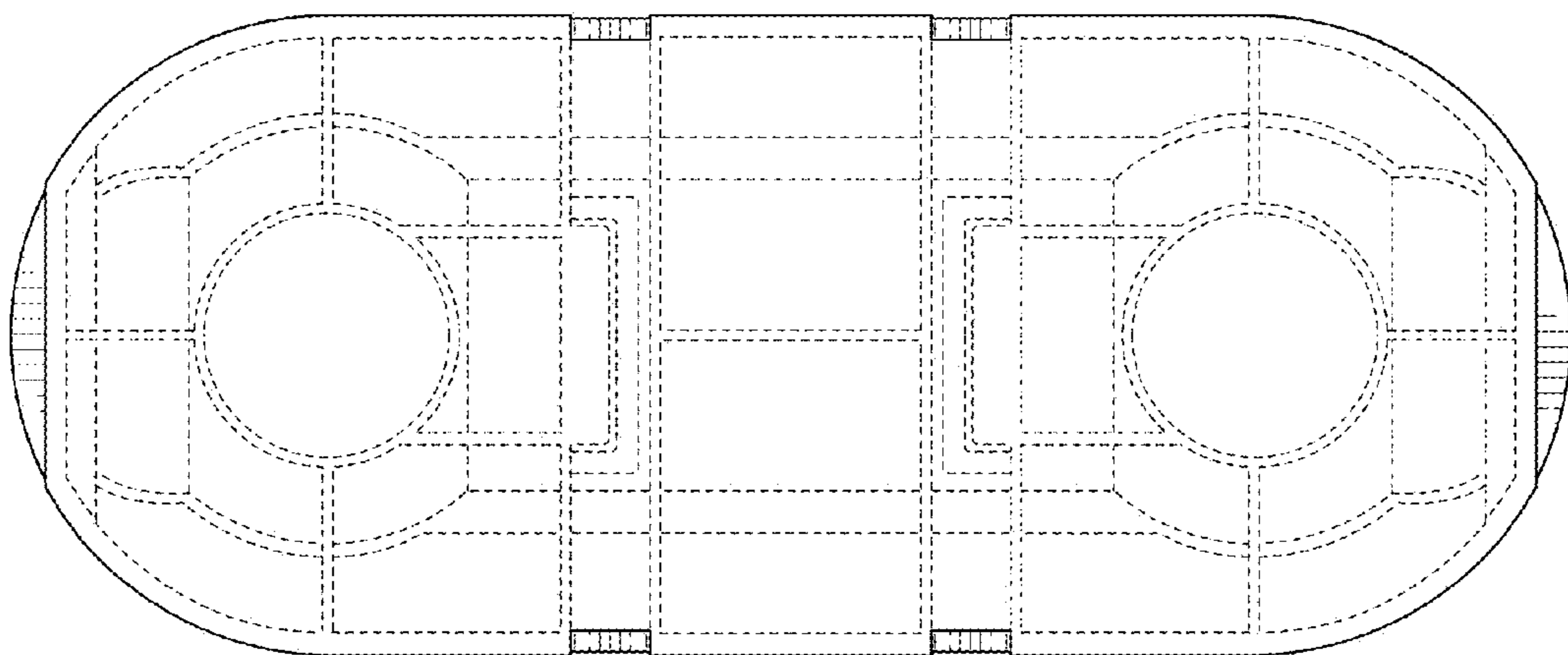


FIG. 5

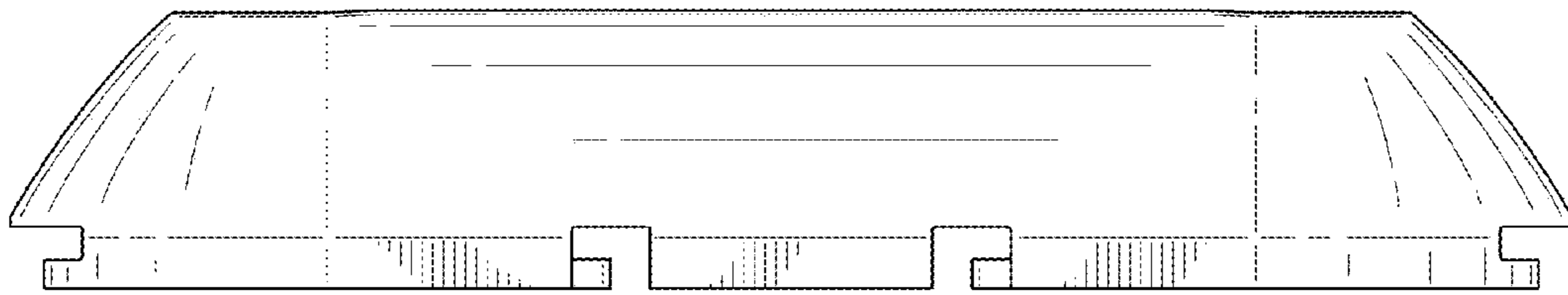


FIG. 6

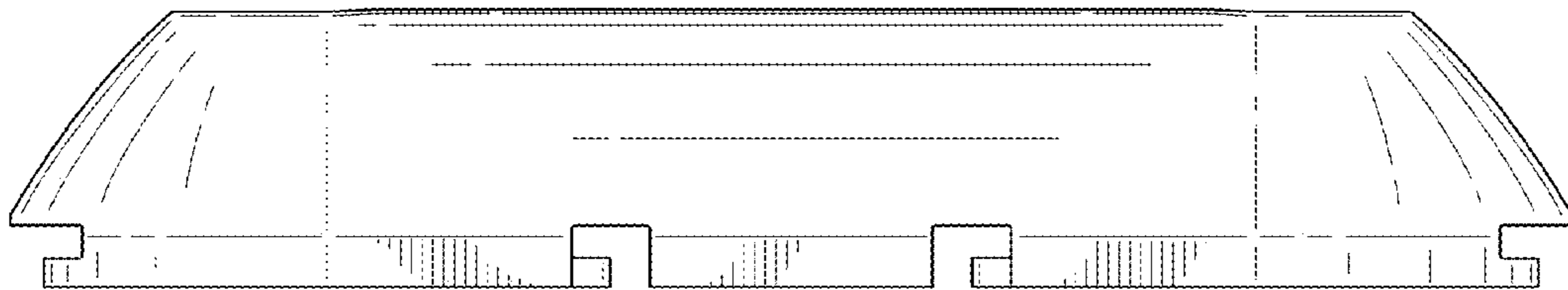


FIG. 7

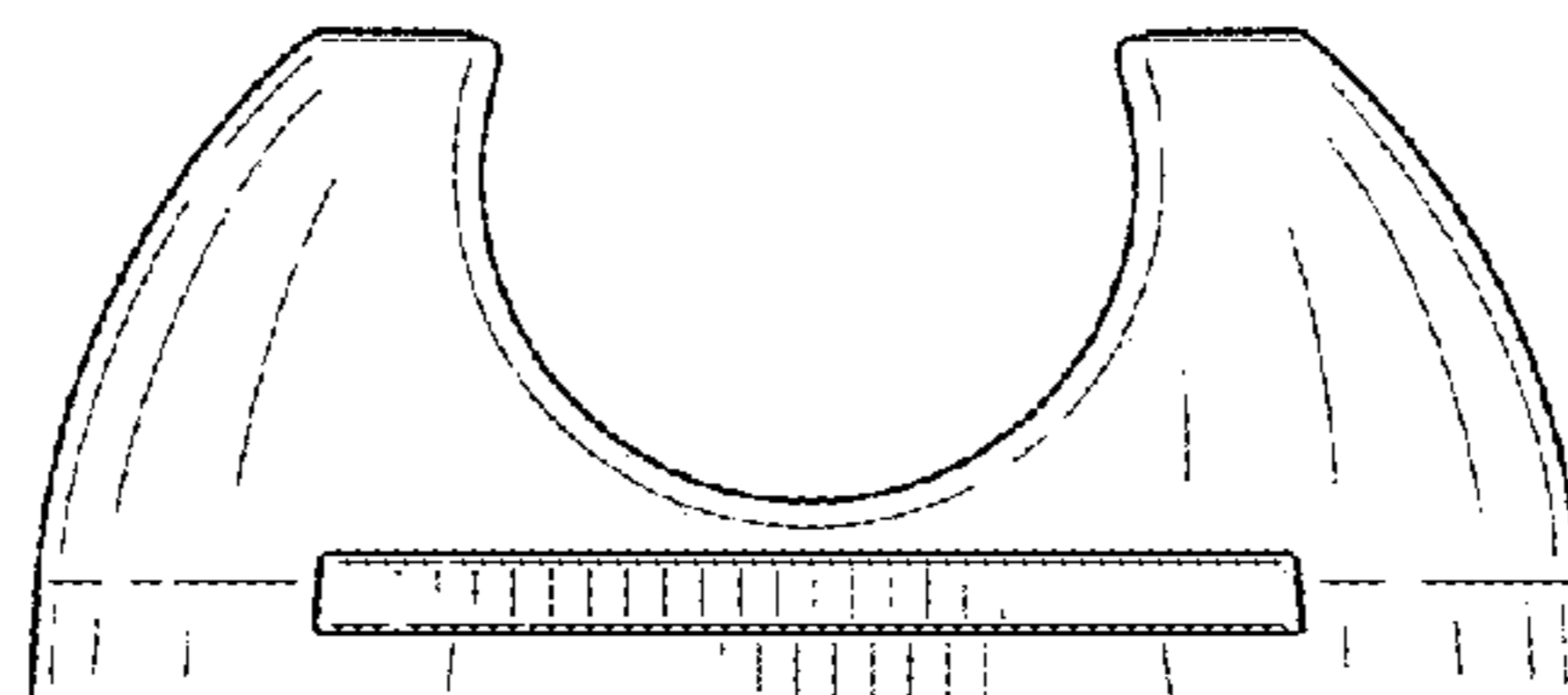


FIG. 8

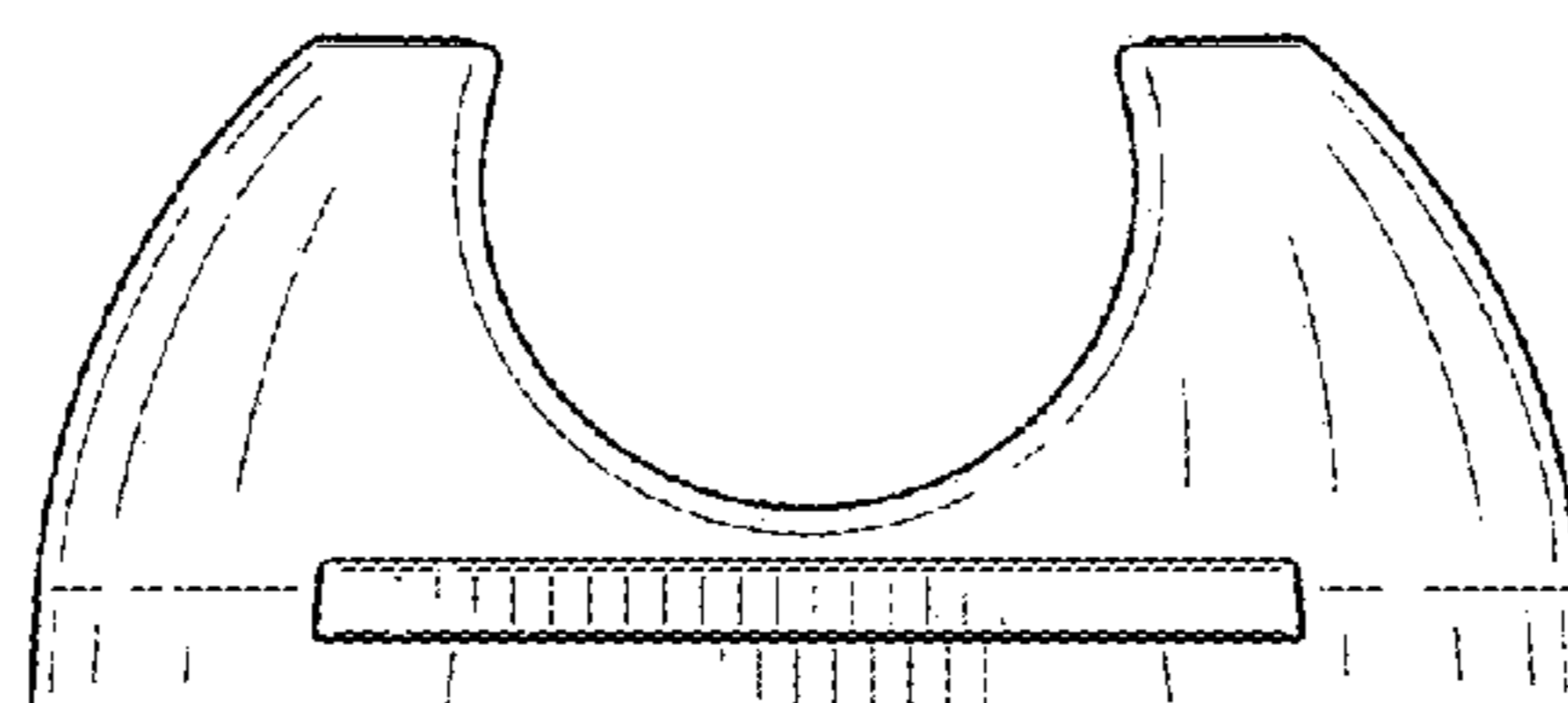


FIG. 9