



US00D766000S

(12) **United States Design Patent** (10) **Patent No.:** **US D766,000 S**  
**Williams** (45) **Date of Patent:** **\*\* Sep. 13, 2016**

(54) **COLLAPSIBLE IRONING CHEST/BENCH**

(71) Applicant: **Rebecca Williams**, Fort Myers, FL (US)

(72) Inventor: **Rebecca Williams**, Fort Myers, FL (US)

(\*\*) Term: **15 Years**

(21) Appl. No.: **29/529,456**

(22) Filed: **Jun. 8, 2015**

(51) **LOC (10) Cl.** ..... **06-01**

(52) **U.S. Cl.**  
USPC ..... **D6/336**

(58) **Field of Classification Search**  
 USPC ..... D6/334, 335, 336, 338, 349, 355, 381,  
 D6/716, 716.1; 297/118, 119, 135, 144,  
 297/232, 445.1, 448.1, 452.18, 156, 175,  
 297/216.1; 5/12.1, 12.2; D32/66  
 CPC ..... A47C 1/02; A47C 1/12; A47C 11/00;  
 A47C 17/00; A47C 17/02; A47C 4/52;  
 A47C 9/00

See application file for complete search history.

(56) **References Cited**

**U.S. PATENT DOCUMENTS**

D131,001 S \* 1/1942 Abramson ..... D6/336  
 D131,473 S \* 3/1942 Thelander ..... 297/462  
 3,892,441 A \* 7/1975 Roeshman ..... A47C 5/005  
 297/423.41  
 D250,860 S \* 1/1979 Castro ..... D6/336

D298,186 S \* 10/1988 Brannon ..... D6/336  
 D330,986 S \* 11/1992 Lau ..... D32/66  
 D468,915 S \* 1/2003 Talbott ..... D32/37  
 D495,522 S \* 9/2004 Sanchez ..... D6/336  
 D502,023 S \* 2/2005 Anderson ..... D6/336  
 D597,272 S \* 7/2009 Auguste ..... D32/66  
 D608,515 S \* 1/2010 Park ..... D32/66  
 D610,818 S \* 3/2010 Crane ..... D6/349  
 D674,616 S \* 1/2013 Frankel ..... D6/349  
 D734,042 S \* 7/2015 Williams ..... D6/336

\* cited by examiner

*Primary Examiner* — Sandra Snapp

(74) *Attorney, Agent, or Firm* — San Diego IP Law Group LLP

(57) **CLAIM**

I claim the ornamental design for a collapsible ironing chest/bench, as shown and described.

**DESCRIPTION**

FIG. 1 is a perspective view of a collapsible ironing chest/bench shown with the attachments shown in a retracted position;

FIG. 2 is a front view thereof;

FIG. 3 is a rear view thereof;

FIG. 4 is a side view thereof;

FIG. 5 is an opposite side view thereof;

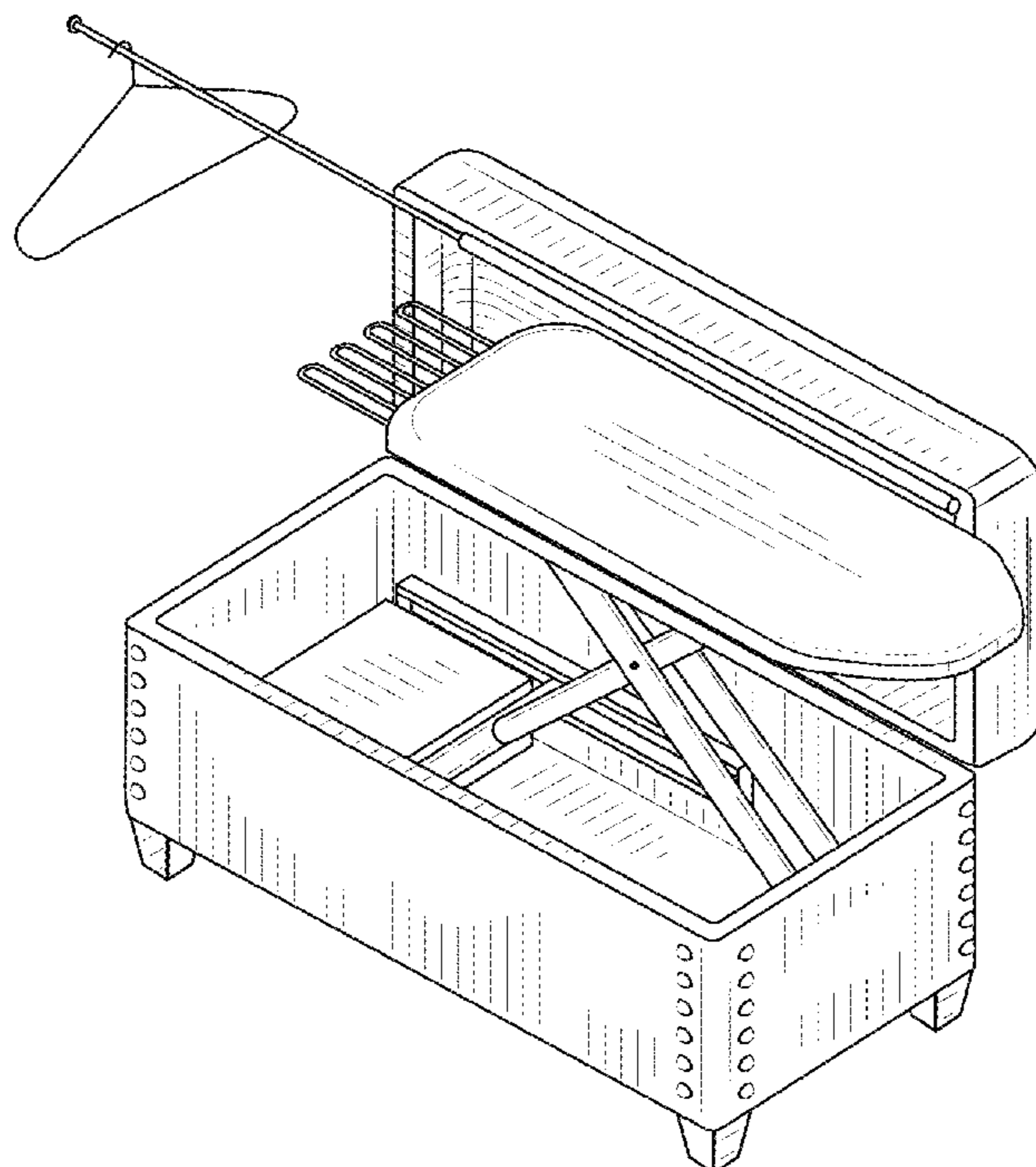
FIG. 6 is a top plan view thereof;

FIG. 7 is a bottom view thereof; and,

FIG. 8 is a perspective view thereof with the attachments shown in an extended position.

The broken lines shown in the drawings are for illustrative purposes only and form no part of the claimed design.

**1 Claim, 4 Drawing Sheets**



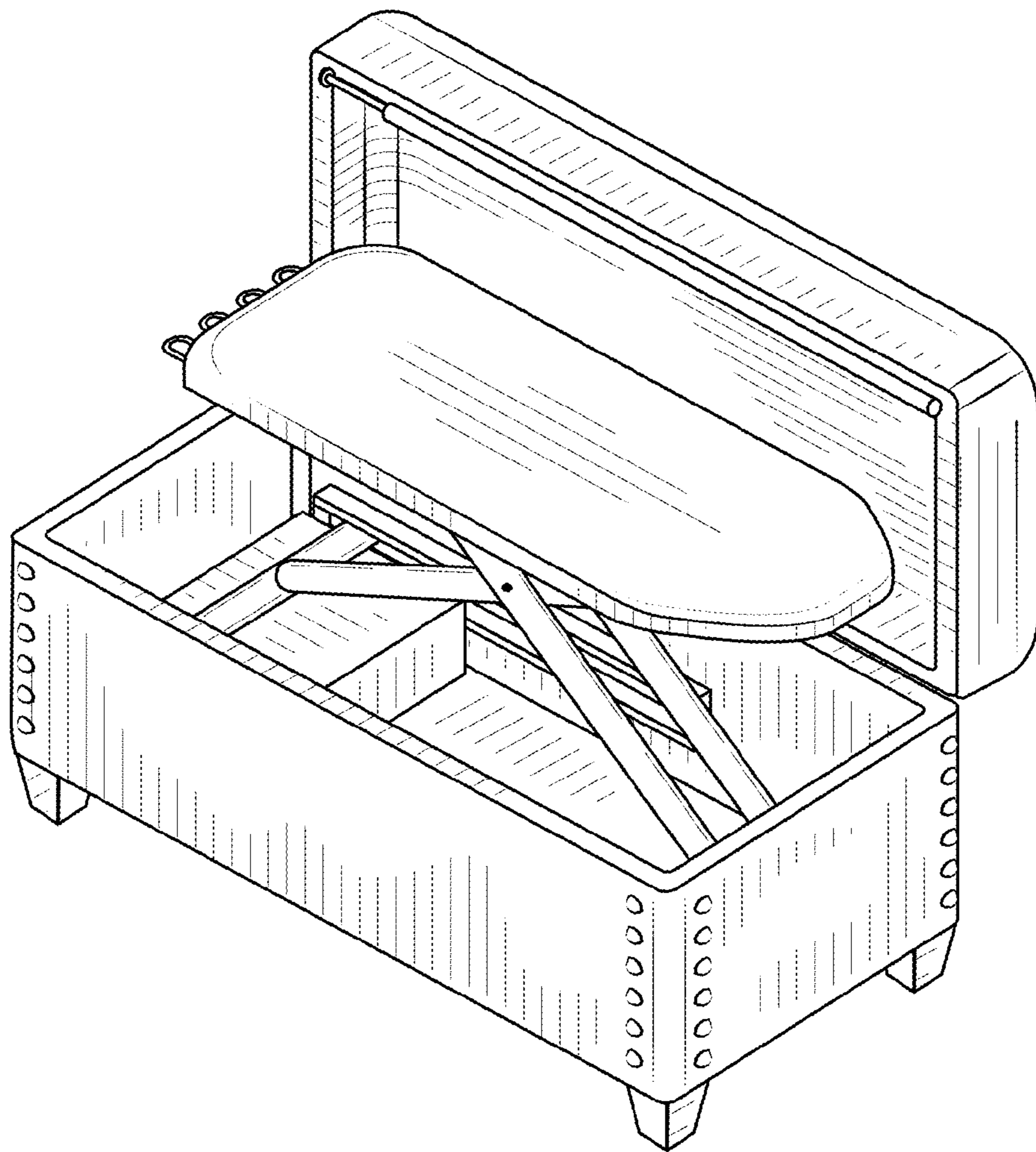


FIG. 1

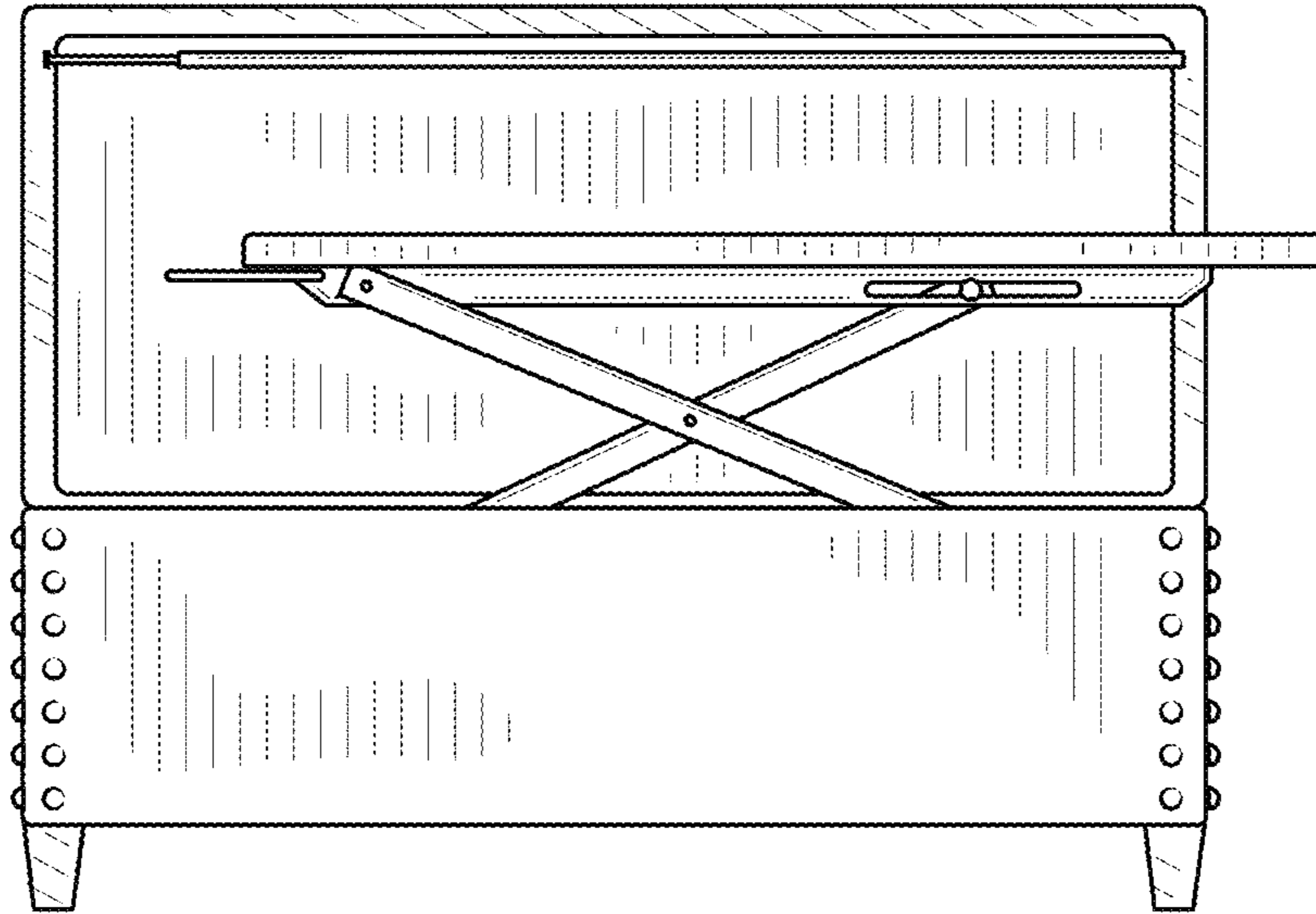


FIG. 2

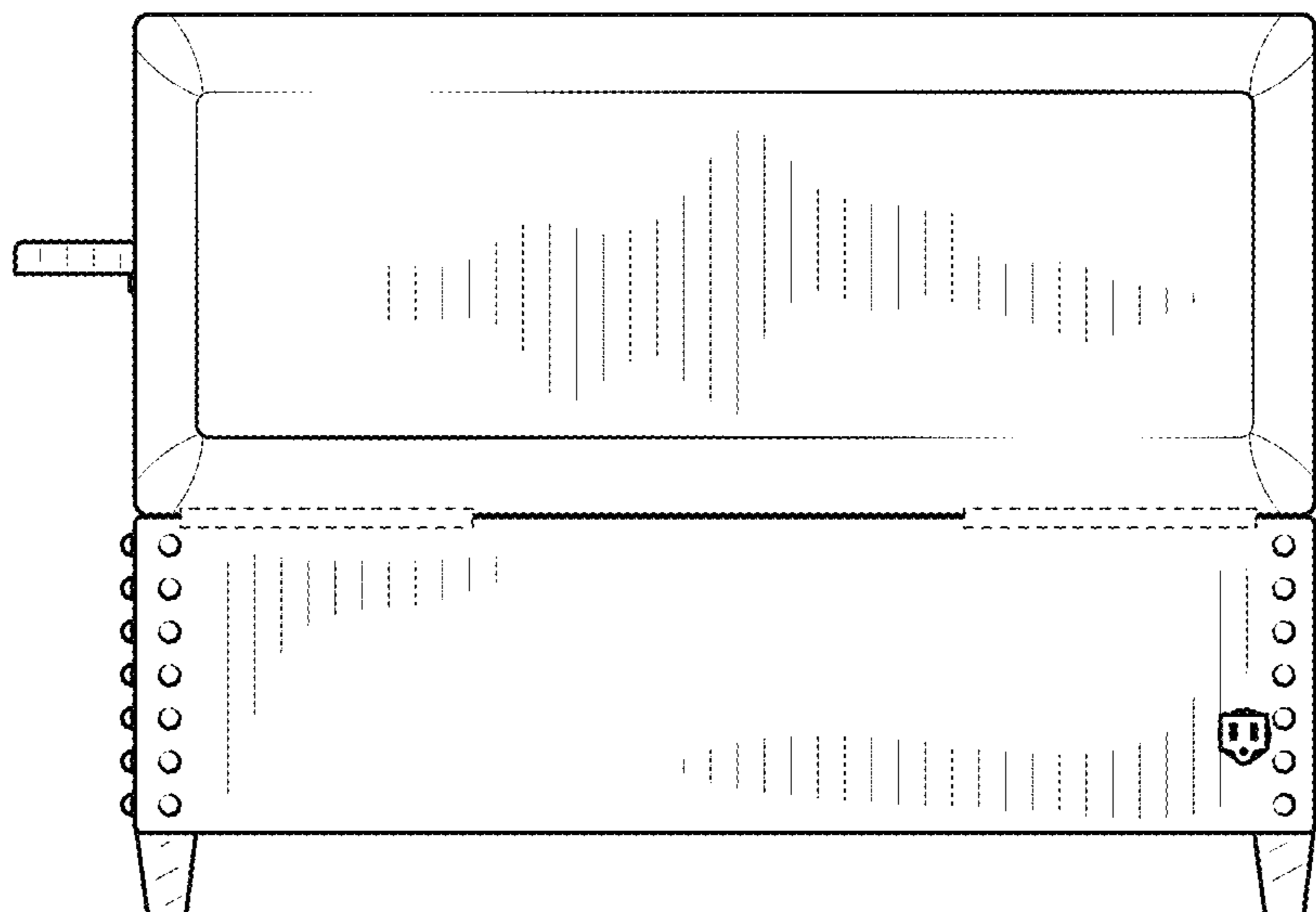


FIG. 3

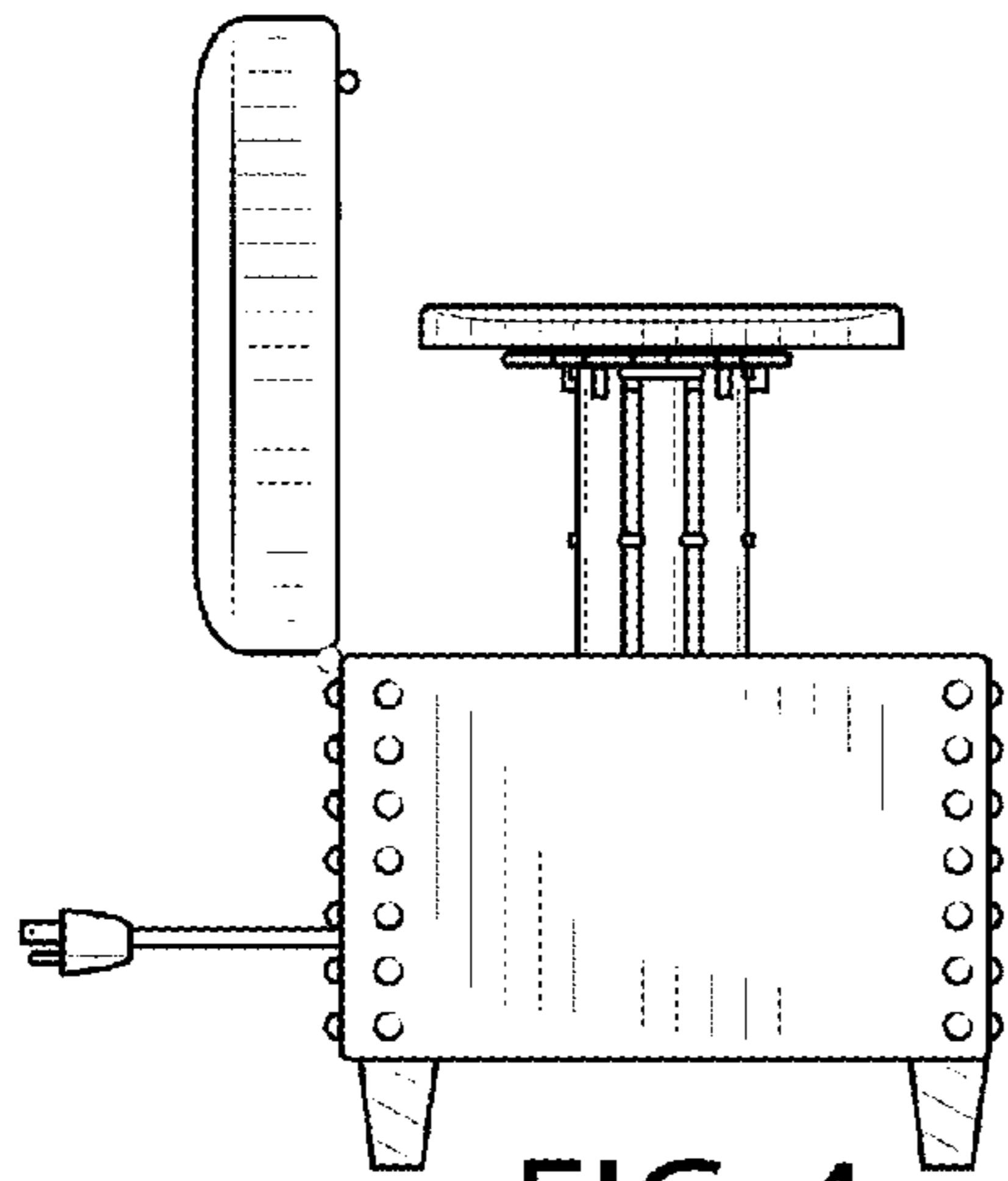


FIG. 4

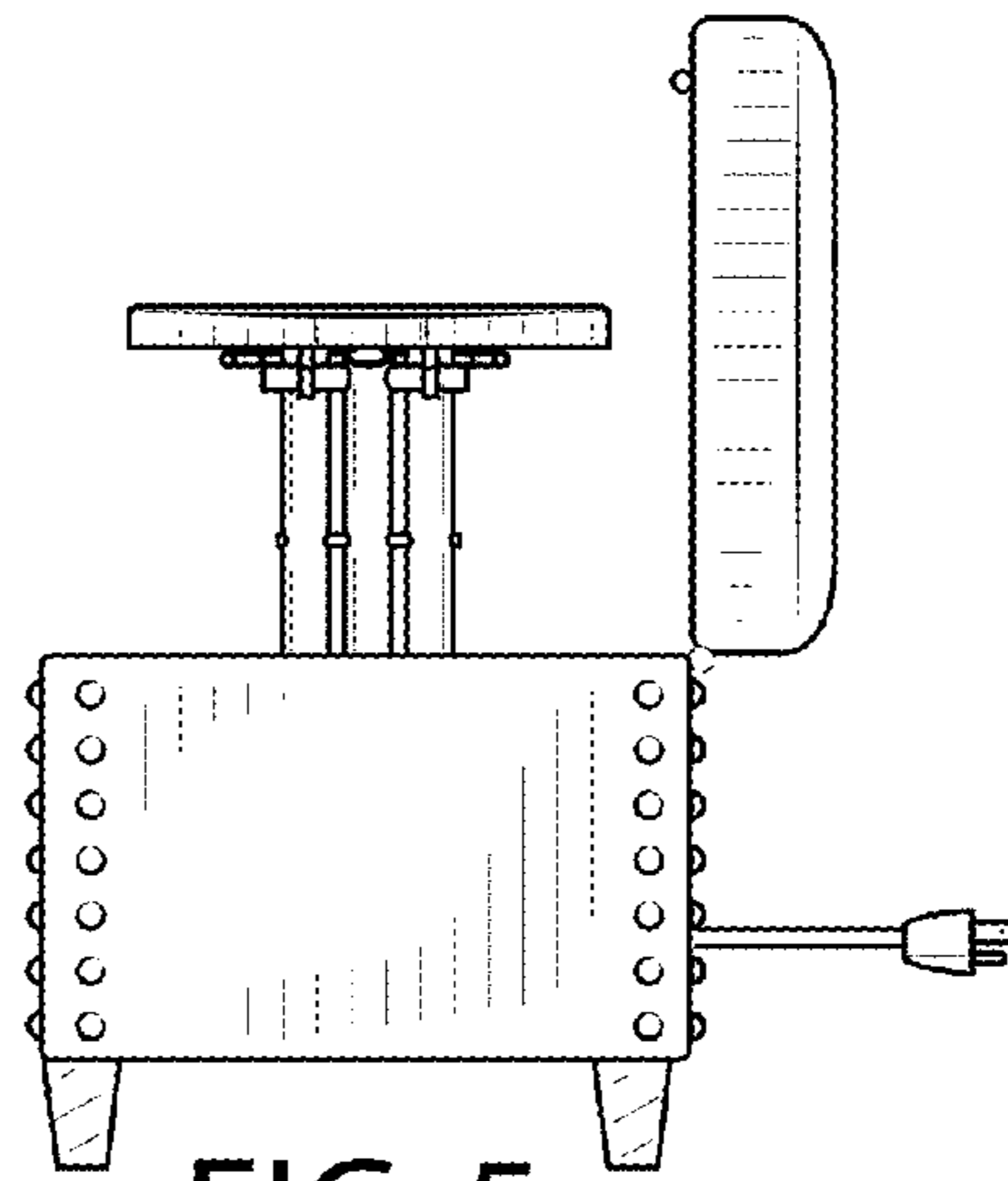


FIG. 5

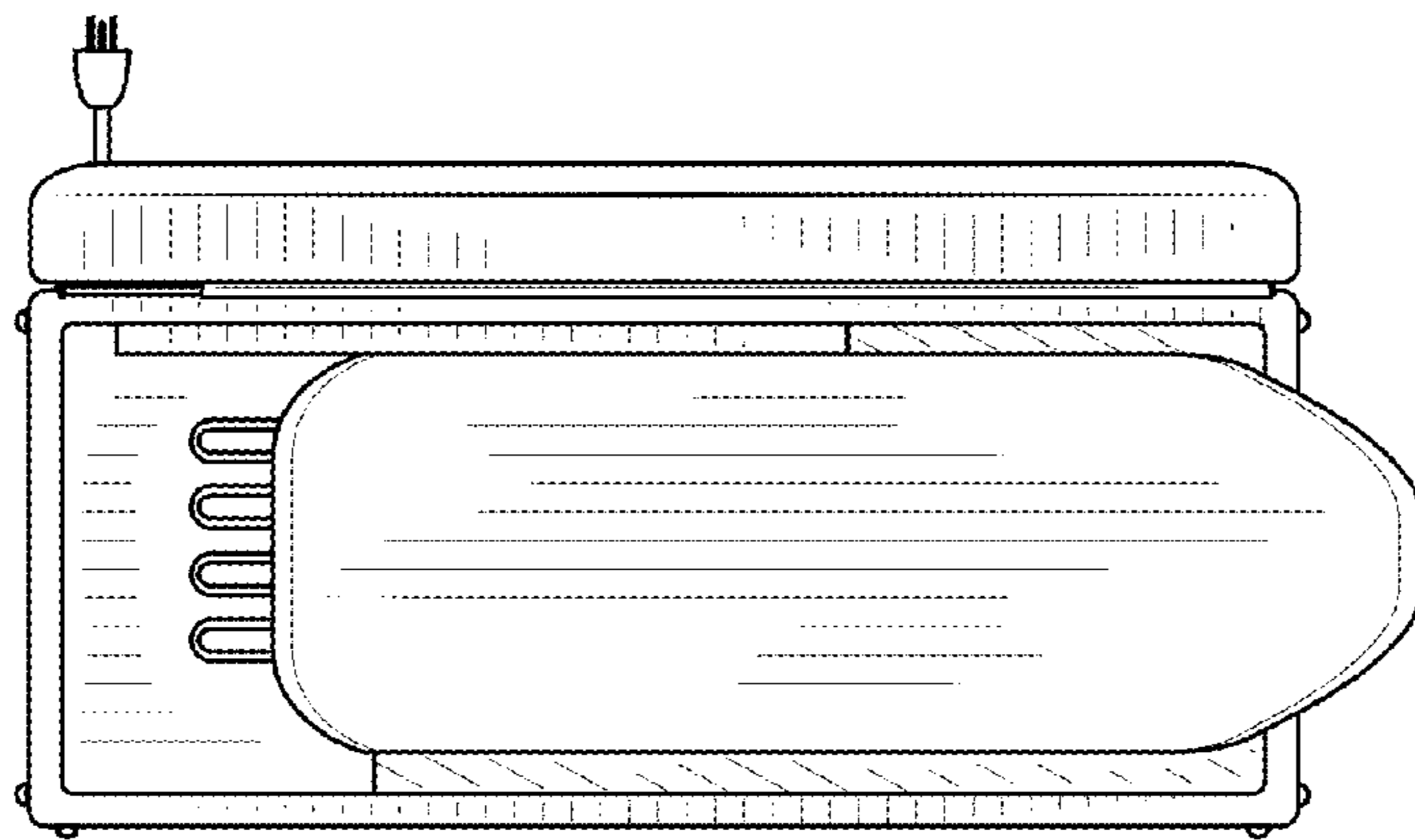


FIG. 6

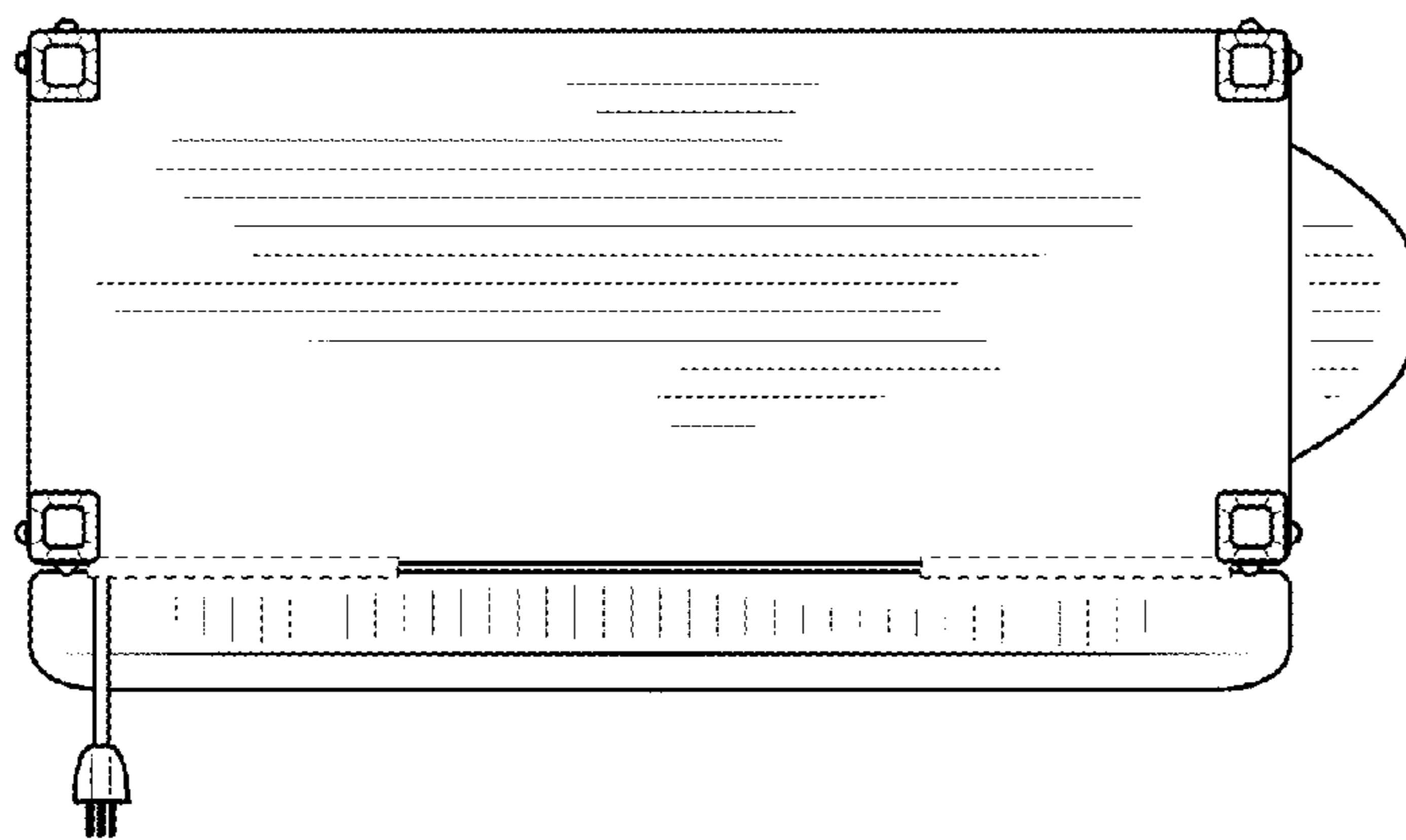


FIG. 7



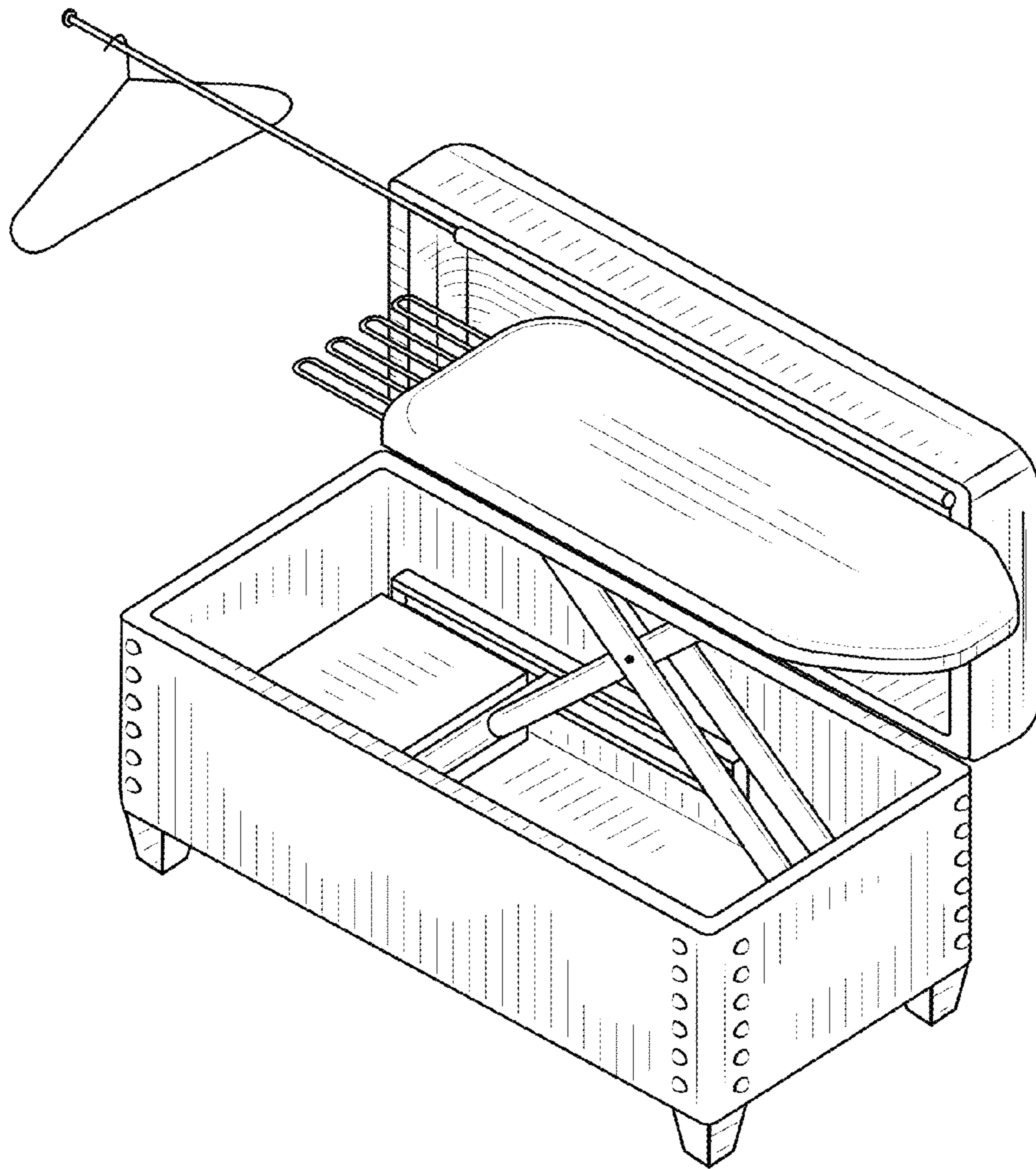


FIG. 8