



US00D765997S

(12) **United States Design Patent** (10) **Patent No.:** **US D765,997 S**
Sandgrund (45) **Date of Patent:** **** Sep. 13, 2016**

(54) **SHELF**
(71) Applicant: **David Sandgrund**, New York, NY (US)
(72) Inventor: **David Sandgrund**, New York, NY (US)
(**) Term: **15 Years**
(21) Appl. No.: **29/535,459**
(22) Filed: **Aug. 6, 2015**

Related U.S. Application Data

(63) Continuation of application No. 29/471,079, filed on Oct. 28, 2013, now Pat. No. Des. 740,038.

(51) **LOC (10) Cl.** **06-08**

(52) **U.S. Cl.**

USPC **D6/327**; D6/705.1

(58) **Field of Classification Search**

USPC D6/315-328, 553, 567, 569, 570, 572, D6/574, 703.1, 702, 705, 705.1, 705.2, D6/705.5, 706, 707, 707.2; 223/85-98; 211/10, 13.1, 16, 45, 48, 49.1, 71.01, 211/85.11, 85.3, 87.01, 90.02, 94.01, 94.02, 211/94.03, 117; 108/28, 59, 64, 91, 106, 108/107, 144.11, 147.11, 147.17; D8/380, D8/381

CPC A47G 25/28; A47G 25/746; A47G 25/26; A47G 25/0664; A47F 7/163; A47F 5/0846; A47F 5/0892; A47F 5/0006; A47F 5/0018; A47F 7/19; A47F 7/24; A47F 5/0093; A47F 7/281; A47F 5/0043; A47F 1/04; A47F 7/0007; A47F 5/06; A47B 81/00; A47B 57/42; A47B 96/027; A47B 87/02; A47B 81/007; A47B 57/30; A47B 96/02; A47B 47/021

See application file for complete search history.

(56) **References Cited**

U.S. PATENT DOCUMENTS

378,201 A 2/1888 Jacoby
1,446,036 A 2/1923 William

1,554,137 A 9/1925 Slifkin
1,978,494 A * 10/1934 Junkers E04C 2/08
297/452.65
D157,460 S 2/1950 Ziolkowski et al.
2,937,759 A 5/1960 Smith
D257,195 S 10/1980 Swett et al.
D289,353 S 4/1987 Davis et al.
D301,407 S 6/1989 Boeri
5,050,744 A 9/1991 Floyd
D371,870 S 7/1996 Sylvester
5,865,325 A 2/1999 Comstock
6,189,706 B1 2/2001 Akins
6,591,996 B1 7/2003 Wu

(Continued)

FOREIGN PATENT DOCUMENTS

FR 616 335 A 1/1927
FR 2 182 318 A5 12/1973

Primary Examiner — Derrick Holland

Assistant Examiner — Lauren Calve

(74) *Attorney, Agent, or Firm* — Ladas & Parry LLP

(57) **CLAIM**

I claim the ornamental design for a shelf, as shown and described.

DESCRIPTION

FIG. 1 is a perspective view showing my new design for a shelf.

FIG. 2 is a front view thereof.

FIG. 3 is a rear view thereof.

FIG. 4 is a right side view thereof.

FIG. 5 is a top view thereof.

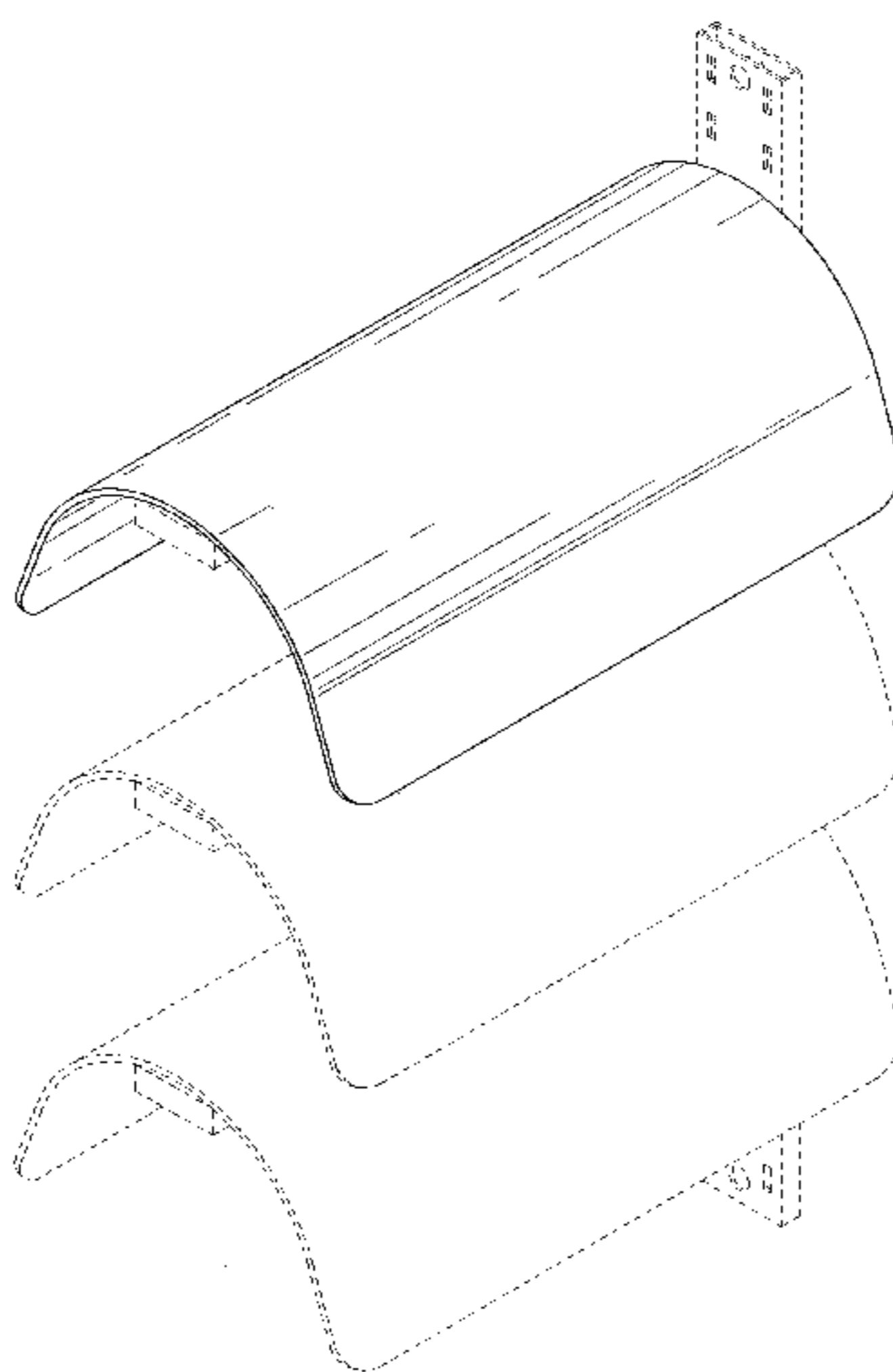
FIG. 6 is a bottom view thereof.

FIG. 7 is a second perspective view thereof, shown in an alternative configuration; and,

FIG. 8 is a third perspective view thereof, shown in environmental use.

The broken lines represent unclaimed subject matter and form no part of the claimed design.

1 Claim, 7 Drawing Sheets



(56)

References Cited

U.S. PATENT DOCUMENTS

D503,046 S 3/2005 Calazzo
6,955,270 B2 10/2005 Lay et al.
D525,460 S * 7/2006 Nobles D6/332
D587,022 S 2/2009 Goodman et al.
8,141,720 B2 3/2012 Kellogg et al.

D740,038 S * 10/2015 Sandgrund D6/327
2002/0134742 A1 9/2002 Huang
2007/0241072 A1 10/2007 Bryant et al.
2008/0121146 A1 5/2008 Burns et al.
2009/0194495 A1 8/2009 Kellogg et al.
2014/0196451 A1 * 7/2014 Bateman F03B 13/182
60/499
2014/0284291 A1 9/2014 Sandgrund

* cited by examiner

FIG. 1

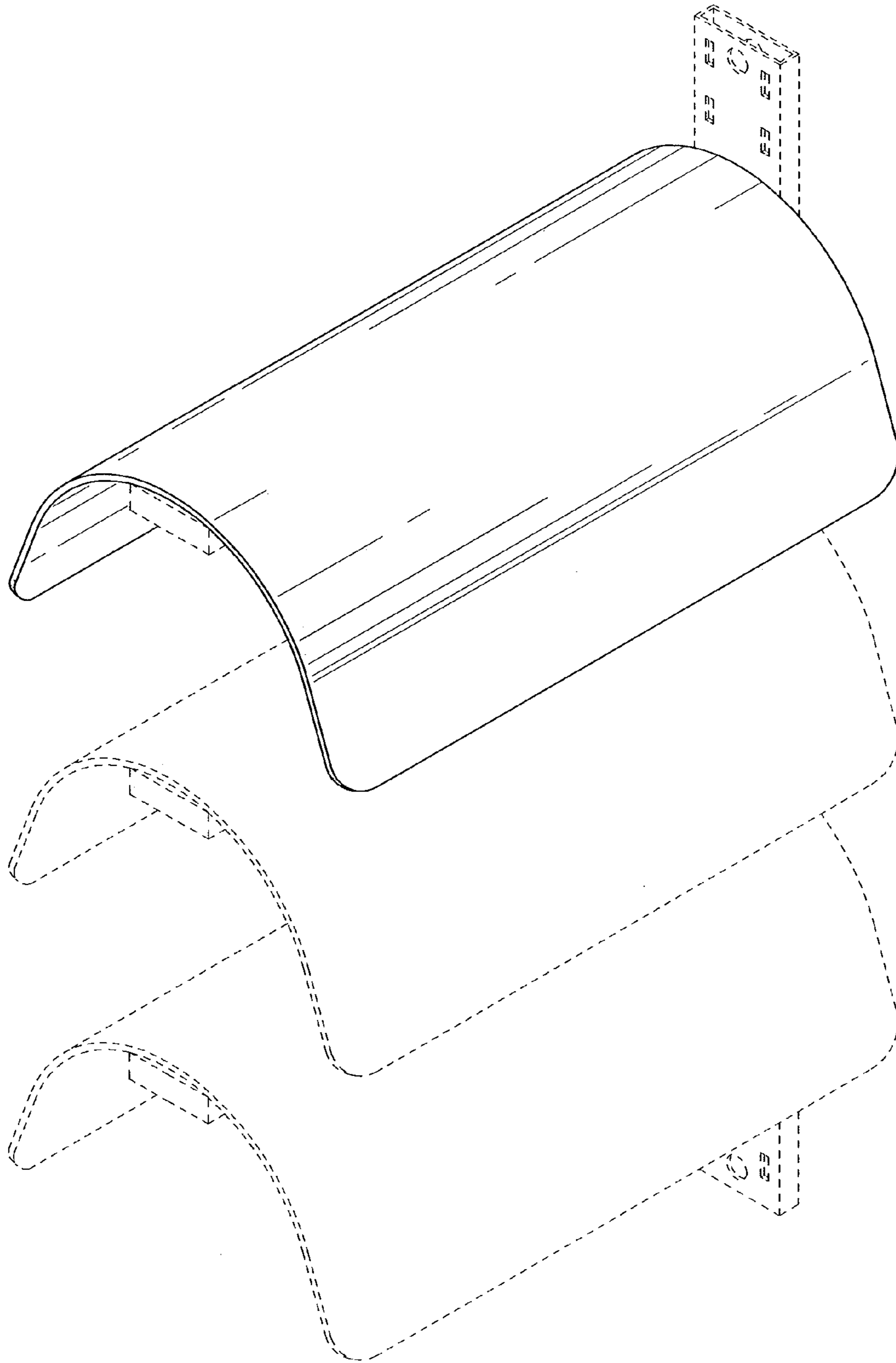


FIG. 2

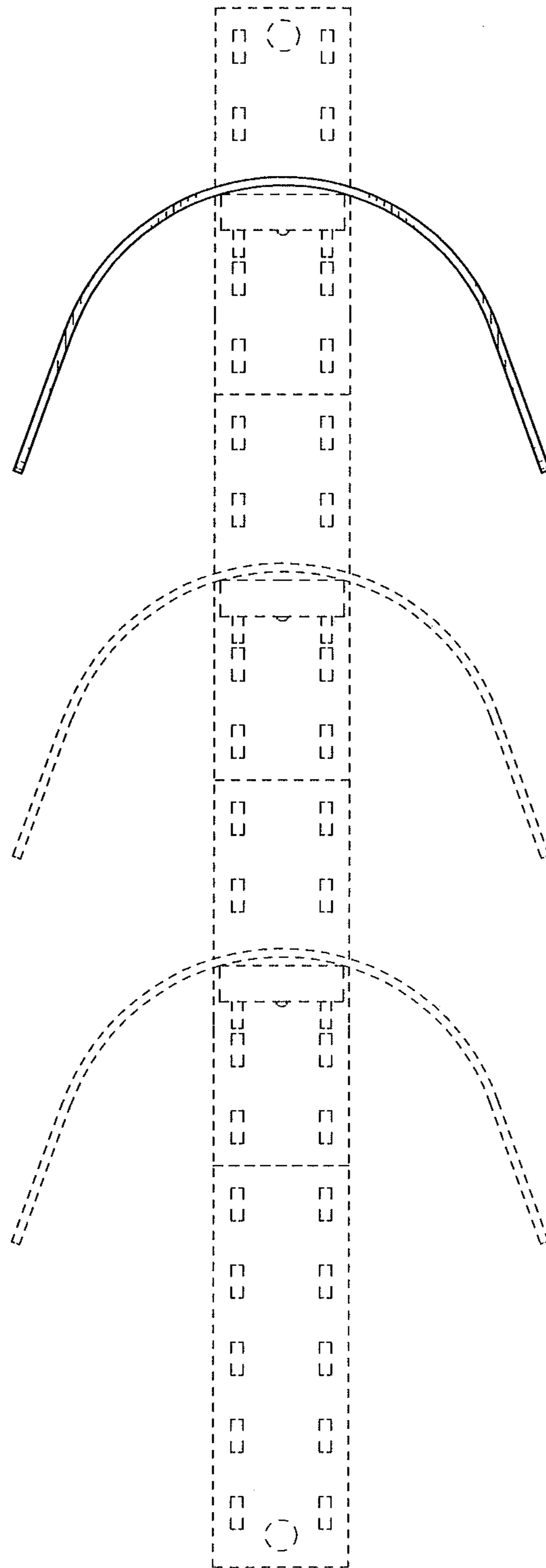


FIG. 3

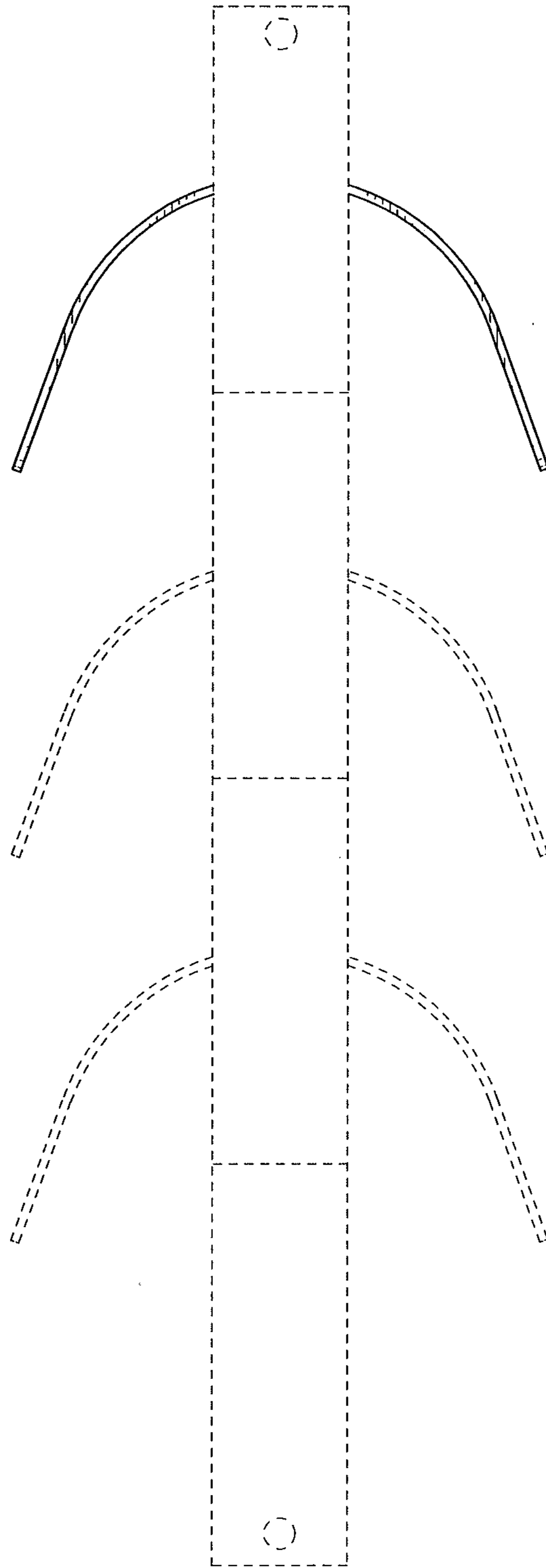


FIG. 4

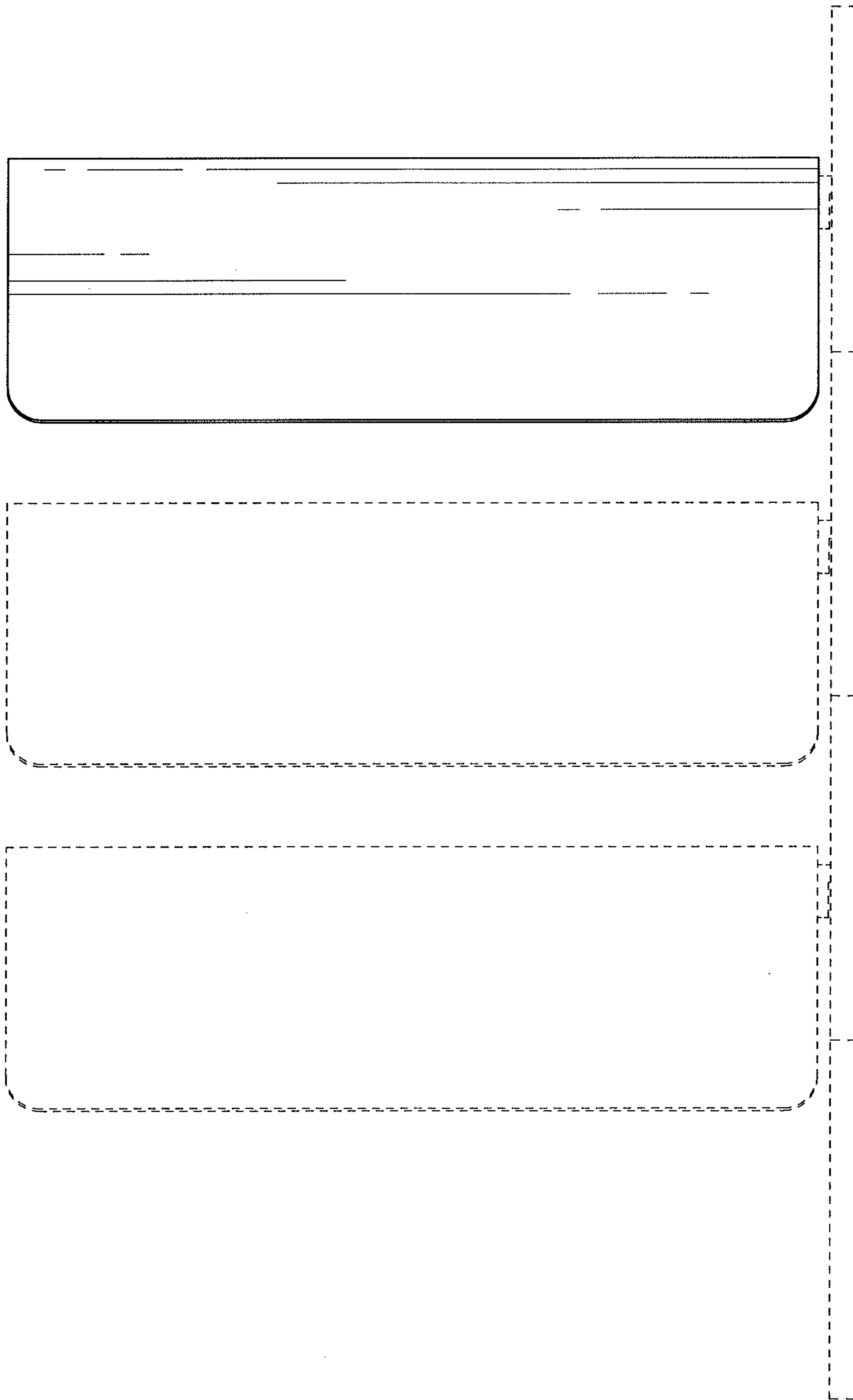


FIG. 6

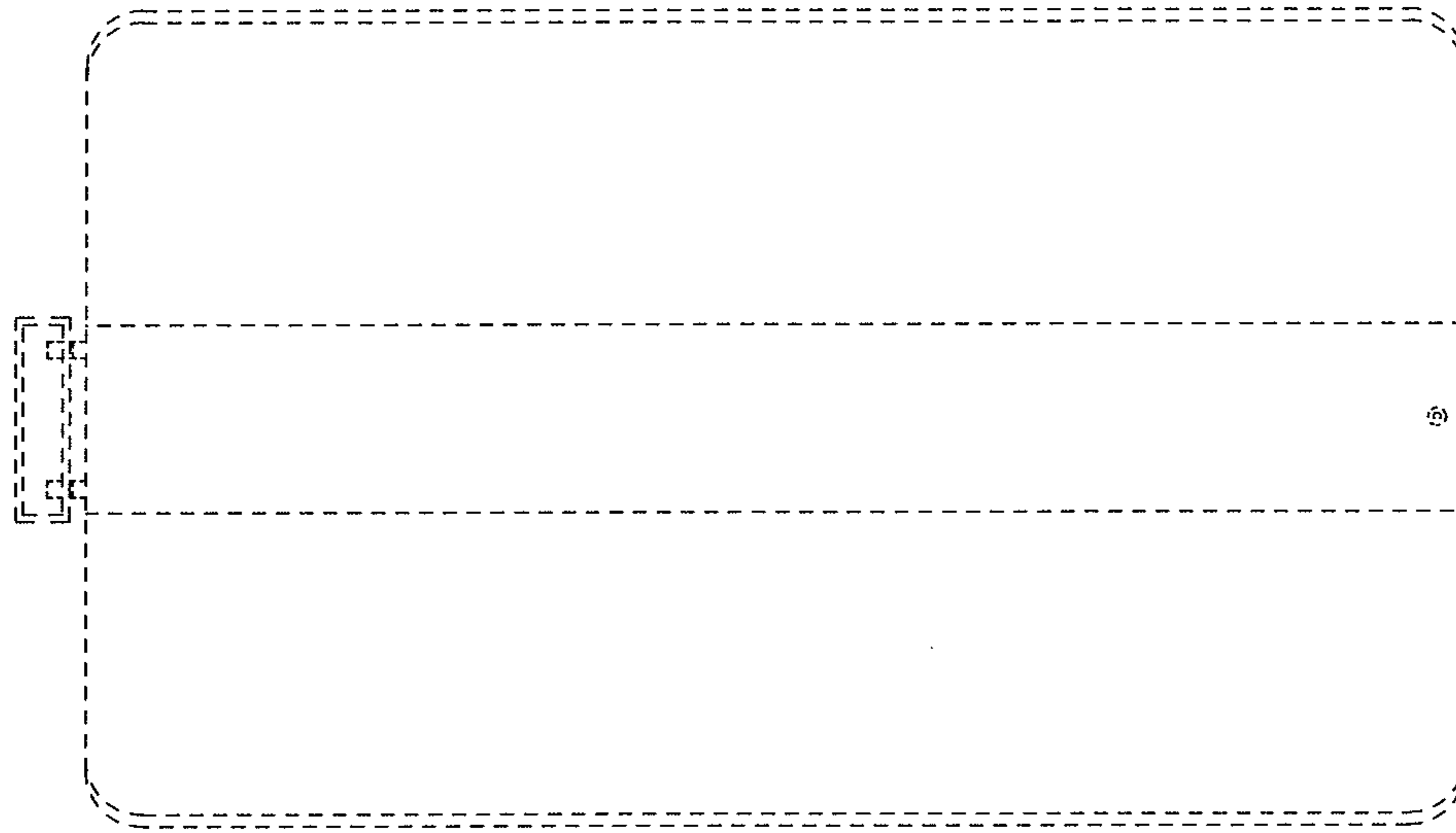


FIG. 5

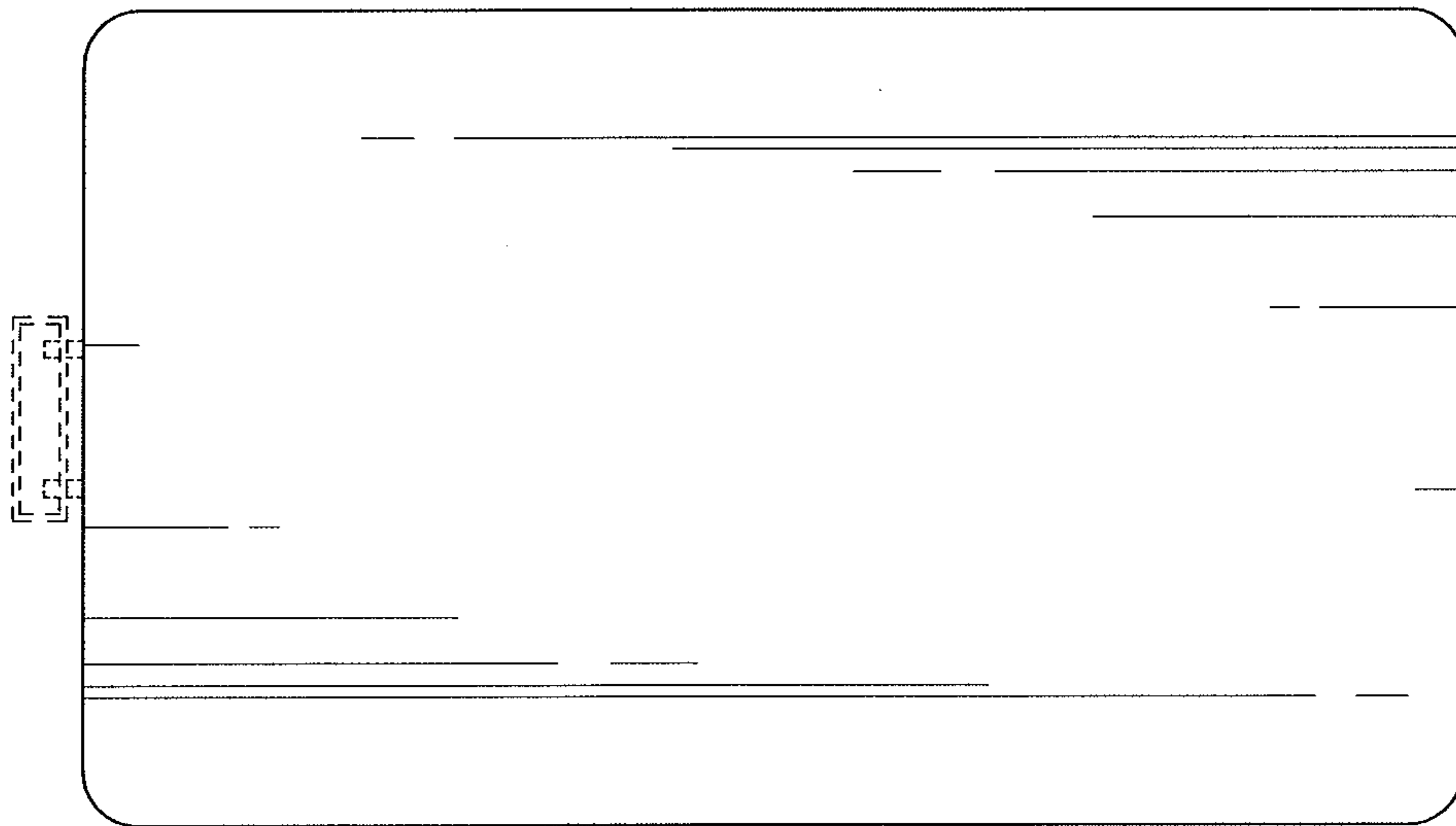


FIG. 7

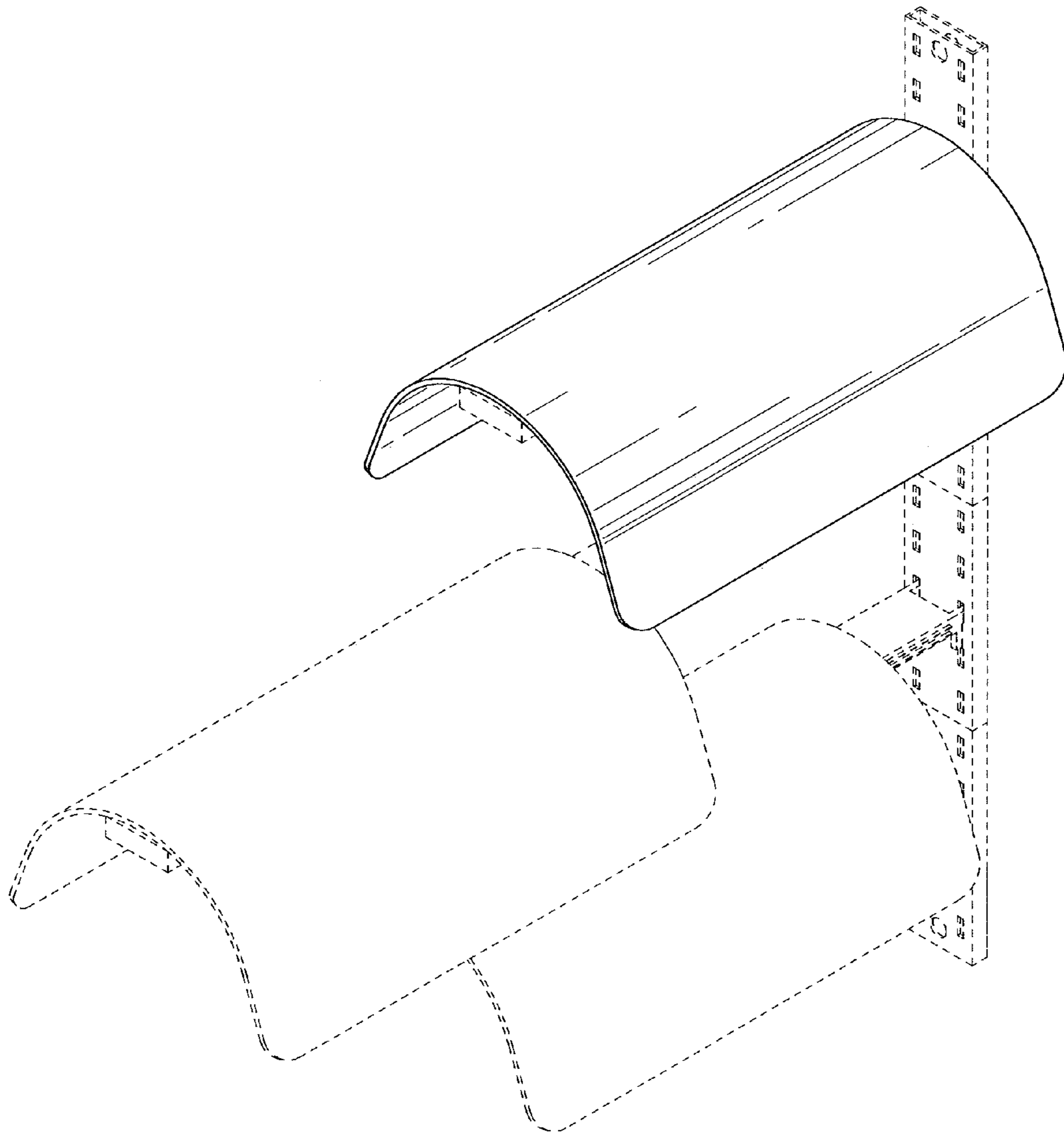


FIG. 8

