



US00D765996S

(12) **United States Design Patent** (10) **Patent No.:** **US D765,996 S**
Dolar et al. (45) **Date of Patent:** **** Sep. 13, 2016**

- (54) **PERSONAL VIEWING DEVICE**
- (71) Applicant: **ADProducts, LLC**, Spokane, WA (US)
- (72) Inventors: **Ronald E. Dolar**, Spokane, WA (US);
Dan C. Cummings, Spokane, WA (US); **Russell D. Marshall**, Spokane, WA (US); **Bobby G. Head**, Rathdrum, ID (US); **Timothy W. Bardell**, Sunnyside, WA (US); **Steven M. Albrecht**, Sunnyside, WA (US)
- (73) Assignee: **ADProducts, LLC**, Spokane, WA (US)
- (**) Term: **14 Years**
- (21) Appl. No.: **29/512,925**
- (22) Filed: **Dec. 23, 2014**

Related U.S. Application Data

- (63) Continuation of application No. 14/460,766, filed on Aug. 15, 2014.
- (51) **LOC (10) Cl.** **06-07**
- (52) **U.S. Cl.**
USPC **D6/312**
- (58) **Field of Classification Search**
USPC D6/300-314, 419, 396, 411, 420, 429;
40/711, 714-716, 739, 734, 746, 749,
40/765, 780, 789, 790; 248/466, 469, 472;
359/879, 871, 872; D20/41
CPC A47G 1/16; A47G 1/02; A47G 1/24;
G02B 7/182; A61B 5/0079; A61M 2209/084
See application file for complete search history.

(56) **References Cited**

U.S. PATENT DOCUMENTS

- 1,220,069 A * 3/1917 Capdevila A47G 1/16
248/474
- 2,017,472 A * 10/1935 Re A47G 1/02
248/474

- D160,995 S * 11/1950 Busa D6/301
- 3,509,831 A 5/1970 Schnetzer
- 3,781,093 A * 12/1973 Grabijas F16M 11/14
248/481

(Continued)

FOREIGN PATENT DOCUMENTS

AT 371324 6/1983

OTHER PUBLICATIONS

“ADproducts Announces Wall Mirror Mounts” (via LinkedIn) available Oct. 26, 2015, [online], [site visited Apr. 29, 2016]. Available from internet, <URL: <https://www.linkedin.com/pulse/adproducts-announces-wall-mirror-mounts-ron-dolar>*

(Continued)

Primary Examiner — Cathron Brooks
Assistant Examiner — Teddy Falloway
(74) *Attorney, Agent, or Firm* — Lee & Hayes, PLLC

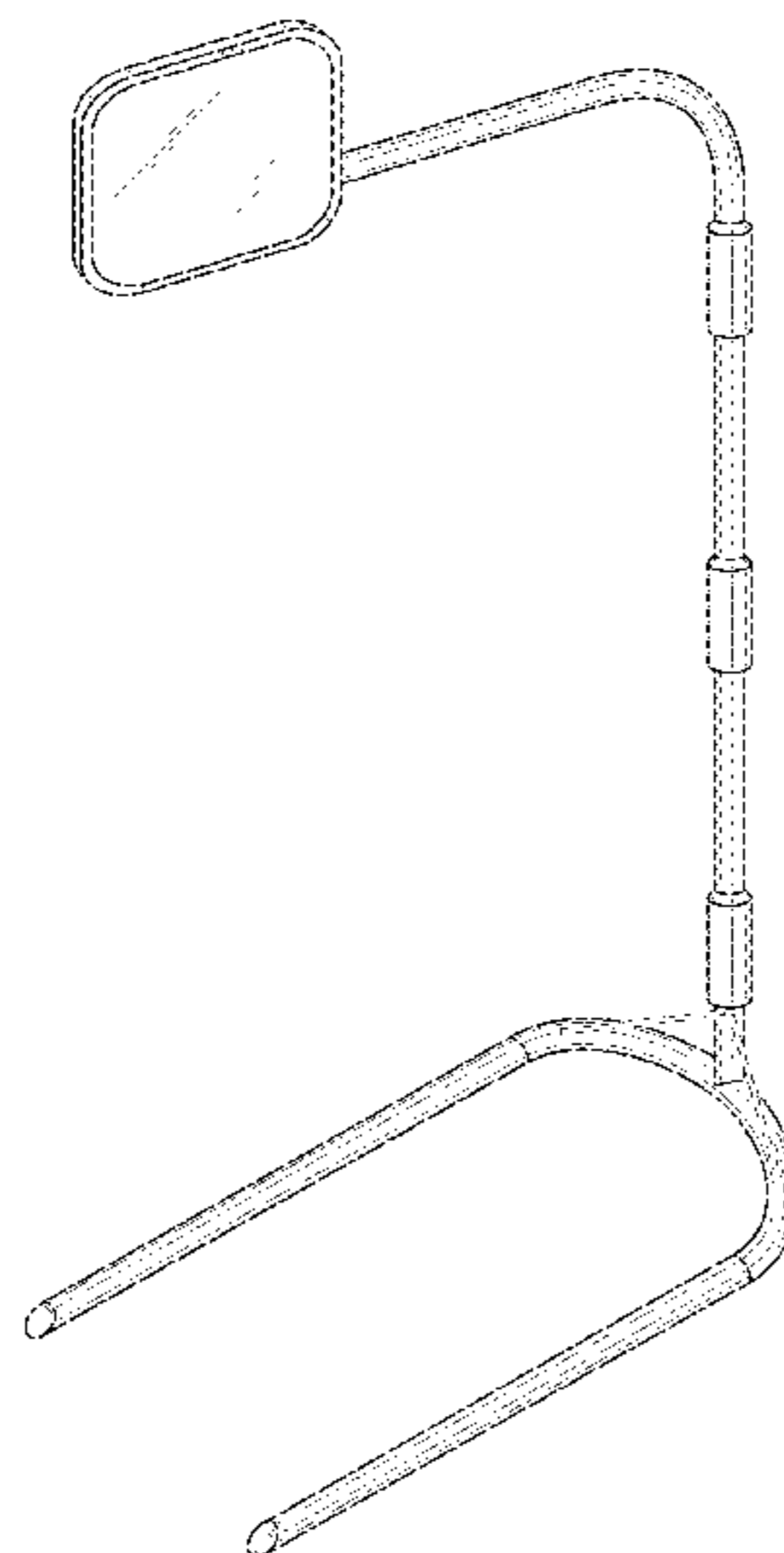
(57) **CLAIM**

The ornamental design for a personal viewing device, as shown and described.

DESCRIPTION

FIG. 1 is a left perspective view of a personal viewing device showing Applicant’s design;
FIG. 2 is a frontal view thereof;
FIG. 3 is a rear view thereof;
FIG. 4 is a left side view thereof;
FIG. 5 is a right side view thereof;
FIG. 6 is a top view thereof; and,
FIG. 7 is a bottom view thereof.
The broken lines shown are included for the purpose of illustrating portions of the personal viewing device that form no part of the claimed design.

1 Claim, 5 Drawing Sheets



(56)

References Cited

U.S. PATENT DOCUMENTS

D246,016 S * 10/1977 Brady D6/700
 D253,323 S * 11/1979 Blatzer D6/310
 4,339,104 A * 7/1982 Weidman F16M 11/10
 248/407
 4,748,058 A 5/1988 Craig, Jr.
 4,860,989 A 8/1989 Rose et al.
 5,012,852 A * 5/1991 Blackhurst A61G 15/10
 160/351
 D324,462 S * 3/1992 Karnaze 248/441.1
 5,135,191 A 8/1992 Schmuhl
 5,337,989 A 8/1994 Apple
 5,355,539 A 10/1994 Boettger
 5,359,461 A 10/1994 Rice
 5,556,070 A * 9/1996 Viebrock F16M 11/28
 248/188.5
 6,041,559 A 3/2000 Schickert
 D438,389 S * 3/2001 Ross D6/312
 6,327,982 B1 12/2001 Jackson
 6,499,851 B1 * 12/2002 Kelly B60R 1/003
 248/480
 6,619,685 B2 * 9/2003 Teague B60D 1/36
 280/477
 D574,167 S * 8/2008 Hodge D6/681
 7,832,694 B2 11/2010 German et al.
 8,393,749 B1 3/2013 Daicos
 9,304,285 B2 * 4/2016 Barbour F16M 1/00

2004/0233556 A1 11/2004 LaViola
 2005/0128611 A1 * 6/2005 Englander B60R 1/0605
 359/879
 2015/0173533 A1 * 6/2015 Dolar A47G 1/16
 248/474

OTHER PUBLICATIONS

AD Home Mirror System, available Jul. 16, 2015, [online], [site visited Apr. 29, 2016]. Available from internet, <URL: <http://adproducts.us/adProductsAvailableProducts.html>.*

AD Mirror System Demonstration (YouTube), available Mar. 26, 2015, [online], [site visited Apr. 29, 2016]. Video available from internet, <URL: <https://www.youtube.com/watch?v=snzW6hn2b4E>.*

Pyle Floor Stand, available Jan. 16, 2013, [online], [site visited Apr. 29, 2016]. Available from internet, <URL: <http://www.amazon.com/Pyle-PMKSPAD2-Universal-Android-Instrument/dp/B009WGPCOW>.*

Mukava Ergonomic Reading Table, available Apr. 8, 2015, [online], [site visited Apr. 29, 2016]. Available from internet, <URL: <http://www.mukava-tables.com/>.*

The PCT Search Report and Written Opinion mailed Apr. 21, 2015 for PCT application No. PCT/US2014/071076, 13 pages.

Denis Page, "Which Laptop (or Keyboard) Stand Should I Choose?", Indigo Maple, Aug. 6, 2012 <http://www.imc-laptop-stand.com/article-which-laptop-stand-should-i-choose.html>.

* cited by examiner

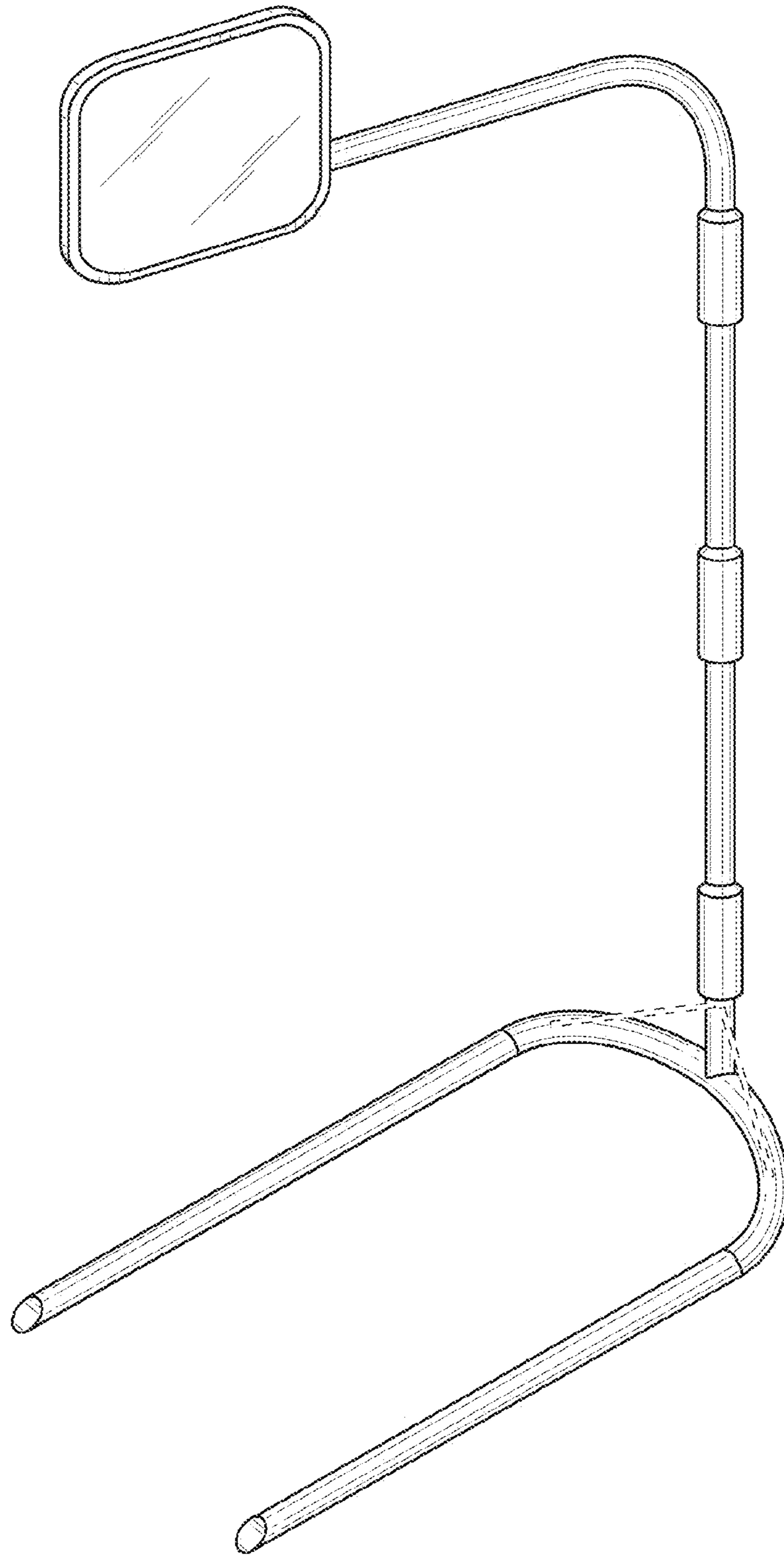


FIG. 1

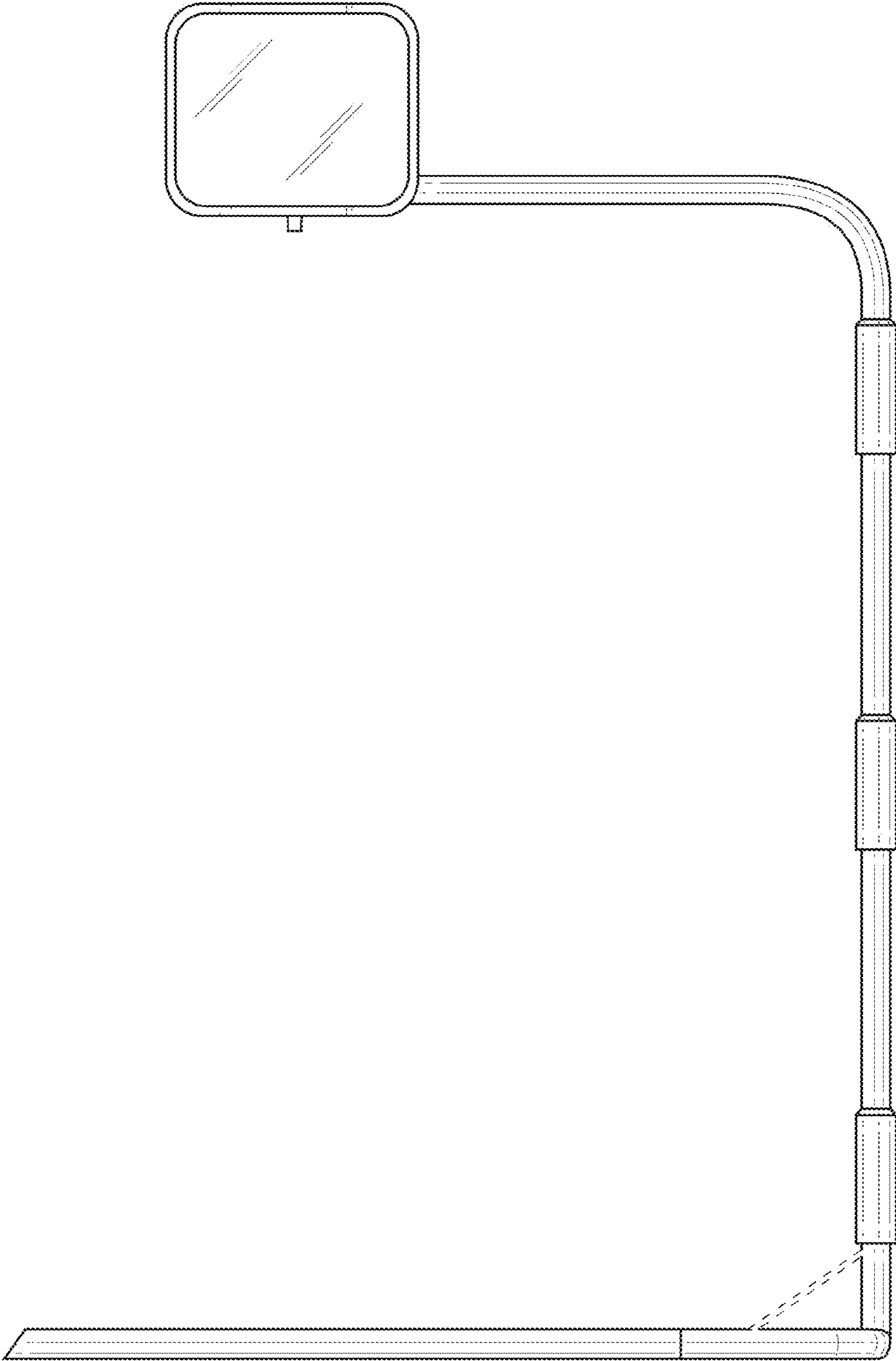


FIG. 2

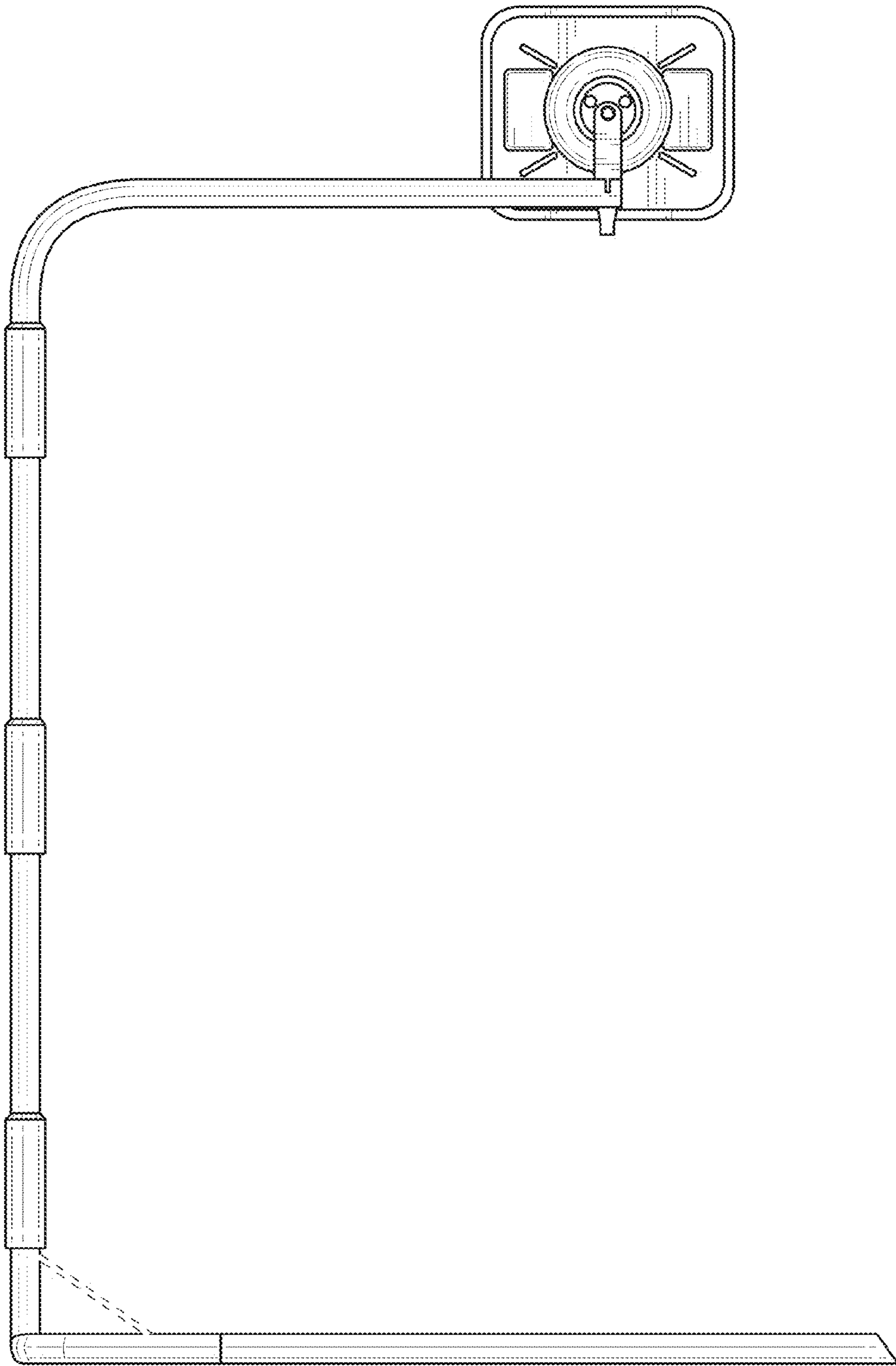


FIG. 3

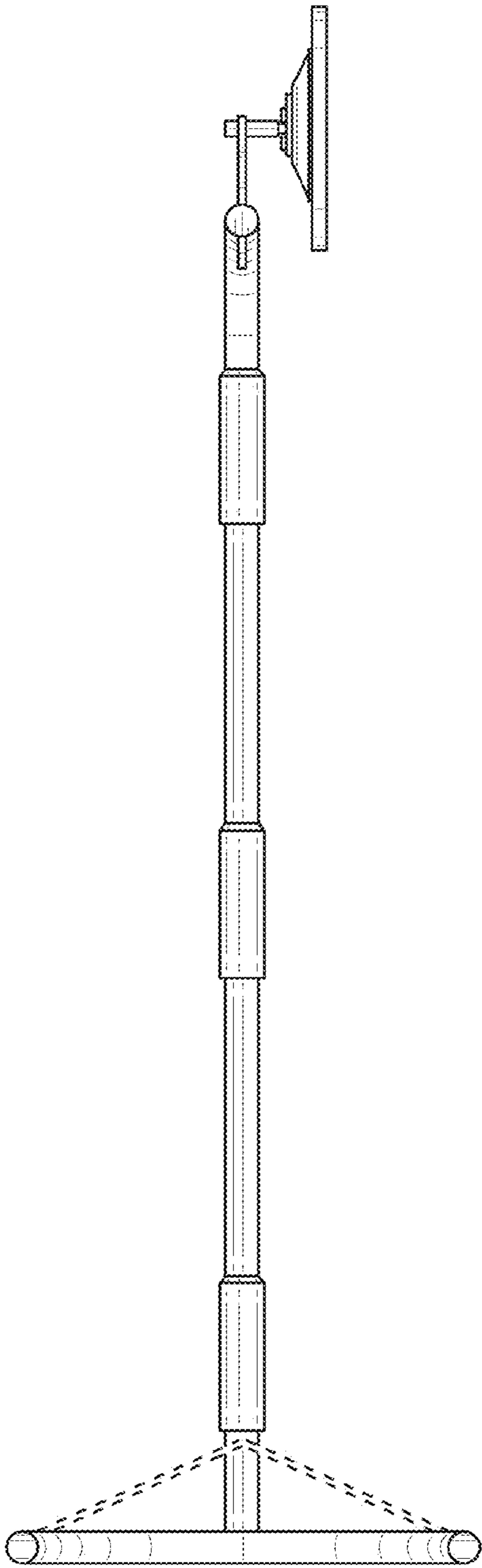


FIG. 4

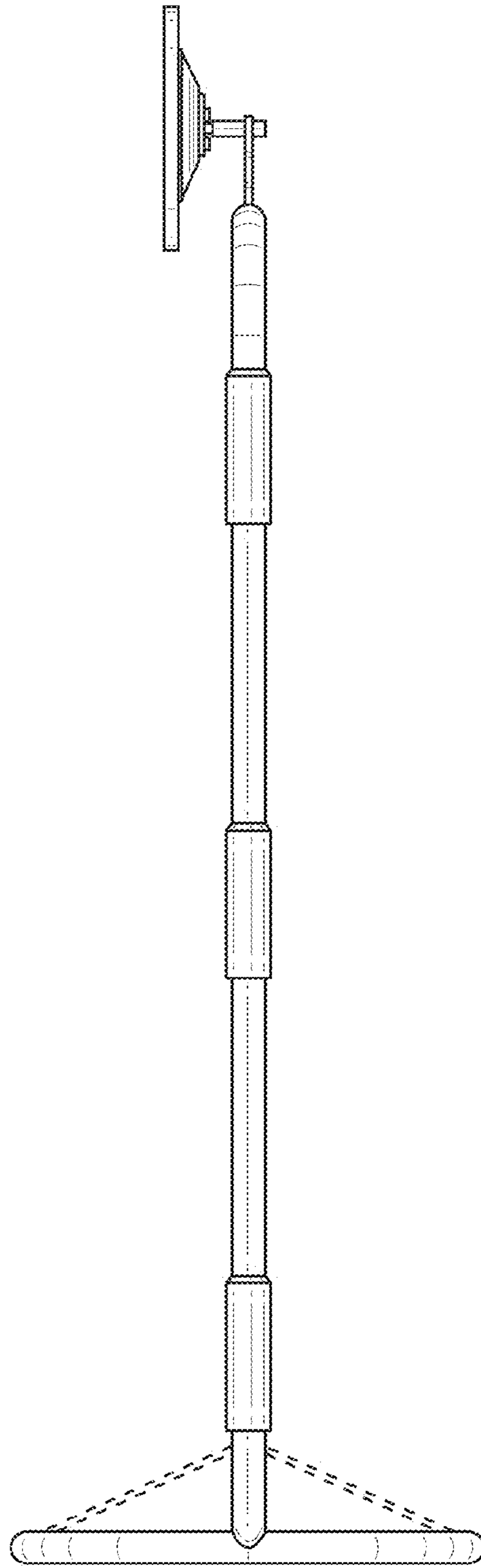


FIG. 5

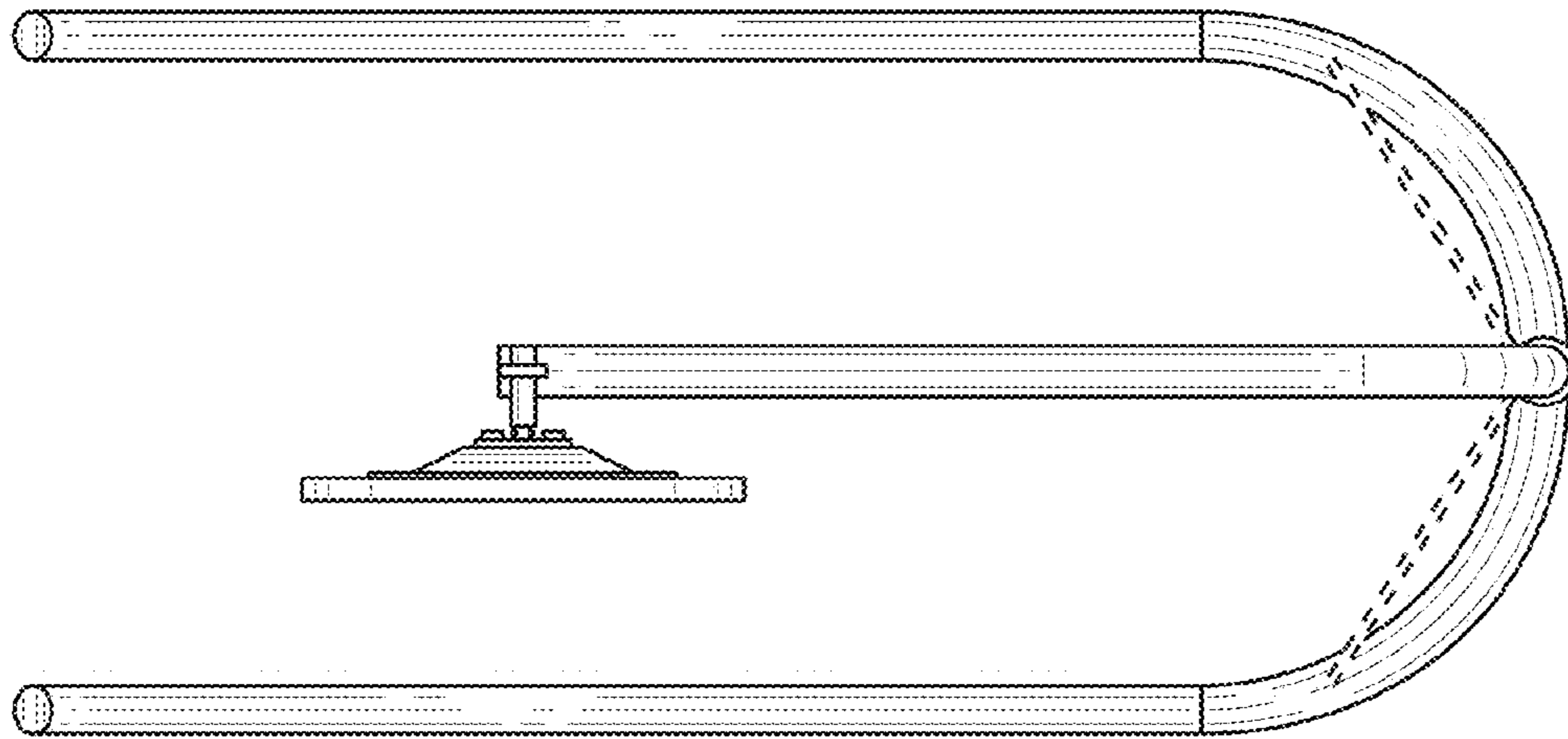


FIG. 6

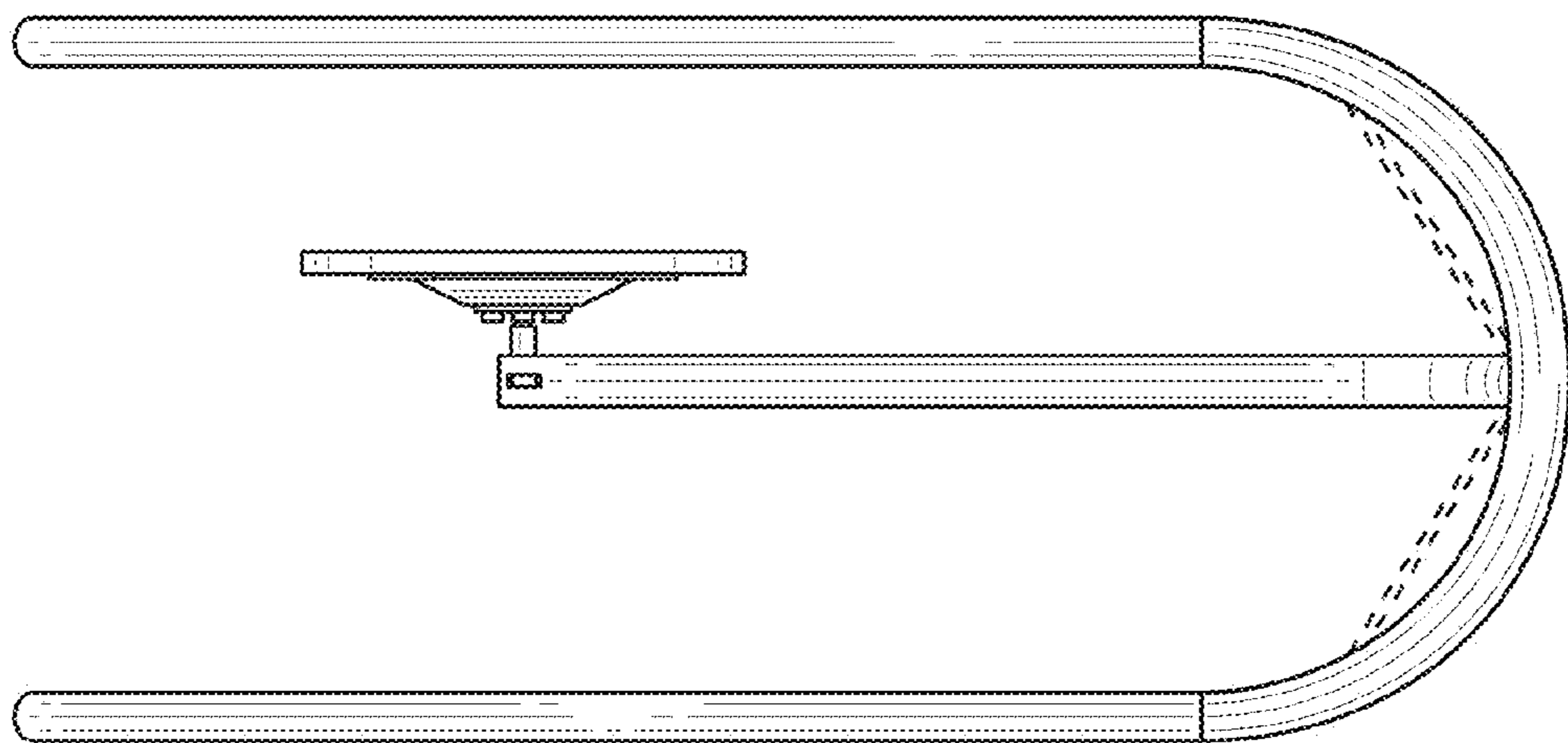


FIG. 7