

US00D765990S

(12) **United States Design Patent**
Kim

(10) **Patent No.:** **US D765,990 S**

(45) **Date of Patent:** **** Sep. 13, 2016**

(54) **COMBINED BRUSH AND COVER**

(71) Applicant: **Jin Kim**, Santa Fe Springs, CA (US)

(72) Inventor: **Jin Kim**, Santa Fe Springs, CA (US)

(**) Term: **14 Years**

(21) Appl. No.: **29/526,437**

(22) Filed: **May 8, 2015**

(51) **LOC (10) Cl.** **04-01**

(52) **U.S. Cl.**

USPC **D4/116; D4/127; D4/137**

(58) **Field of Classification Search**

USPC D4/114-116, 127, 128, 130, 132, 135,
D4/137; D8/300, 310; D32/40; 15/146,
15/159.1, 160, 171; 239/754; 401/268,
401/270, 271, 284, 286, 289

CPC ... A46B 11/06; A46B 11/063; A46B 11/066;
A46B 2200/30; A46B 2200/302; A47L
11/408; A47L 11/4088; A47L 13/26; B08B
1/00; B08B 1/002; B08B 3/02; B08B 3/024;
B08B 3/026; E01H 1/02; E01H 1/101

See application file for complete search history.

(56) **References Cited**

U.S. PATENT DOCUMENTS

| | | | | |
|--------------|---------|---------|-------|----------|
| D138,896 S * | 9/1944 | Edmonds | | 15/143.1 |
| D250,229 S * | 11/1978 | Werner | | D28/63 |
| D301,422 S * | 6/1989 | Schmidt | | D19/105 |
| D353,920 S * | 12/1994 | Daiker | | D32/54 |
| D358,033 S * | 5/1995 | Klump | | 401/190 |
| D392,432 S * | 3/1998 | Henrie | | D32/40 |
| D520,244 S * | 5/2006 | Huller | | D4/124 |
| D521,738 S * | 5/2006 | Huller | | D4/124 |
| D559,487 S * | 1/2008 | Kohut | | D32/45 |

| | | | | |
|--------------|---------|----------|-------|--------|
| D609,870 S * | 2/2010 | Hilger | | D32/40 |
| D621,161 S * | 8/2010 | Griffith | | D4/114 |
| D670,469 S * | 11/2012 | Polk | | D32/40 |

* cited by examiner

Primary Examiner — Keli L Hill

(74) *Attorney, Agent, or Firm* — East West Law Group;
Heedong Chae

(57) **CLAIM**

The ornamental design for a combined brush and cover, as shown and described.

DESCRIPTION

FIG. 1 is a perspective view of a combined brush and cover, showing my new design;

FIG. 2 is a front elevational view thereof;

FIG. 3 is a rear elevational view thereof;

FIG. 4 is a left side elevational view thereof;

FIG. 5 is a right side elevational view thereof;

FIG. 6 is a top plan view thereof;

FIG. 7 is a bottom plan view of thereof;

FIG. 8 is a perspective view of the brush, shown separately for ease of illustration;

FIG. 9 is a front elevational view thereof;

FIG. 10 is a rear elevational view thereof;

FIG. 11 is a left side elevational view thereof;

FIG. 12 is a right side elevational view thereof;

FIG. 13 is a top plan view thereof;

FIG. 14 is a bottom plan view thereof;

FIG. 15 is a perspective view of the cover, shown separately for ease of illustration;

FIG. 16 is a front elevational view thereof;

FIG. 17 is a rear elevational view thereof;

FIG. 18 is a left side elevational view thereof;

FIG. 19 is a right side elevational view thereof;

FIG. 20 is a top plan view thereof; and,

FIG. 21 is a bottom plan view thereof.

1 Claim, 21 Drawing Sheets

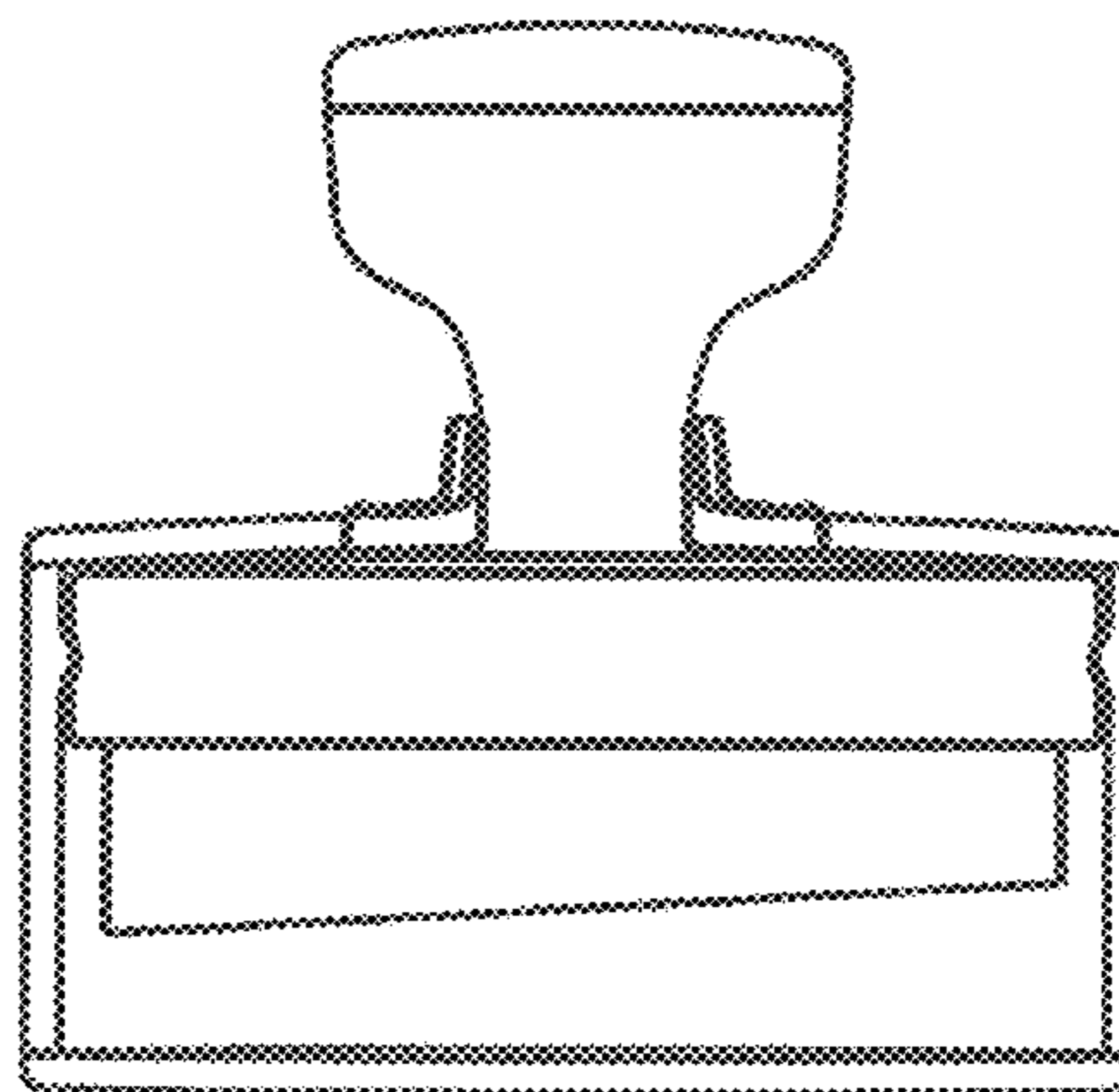
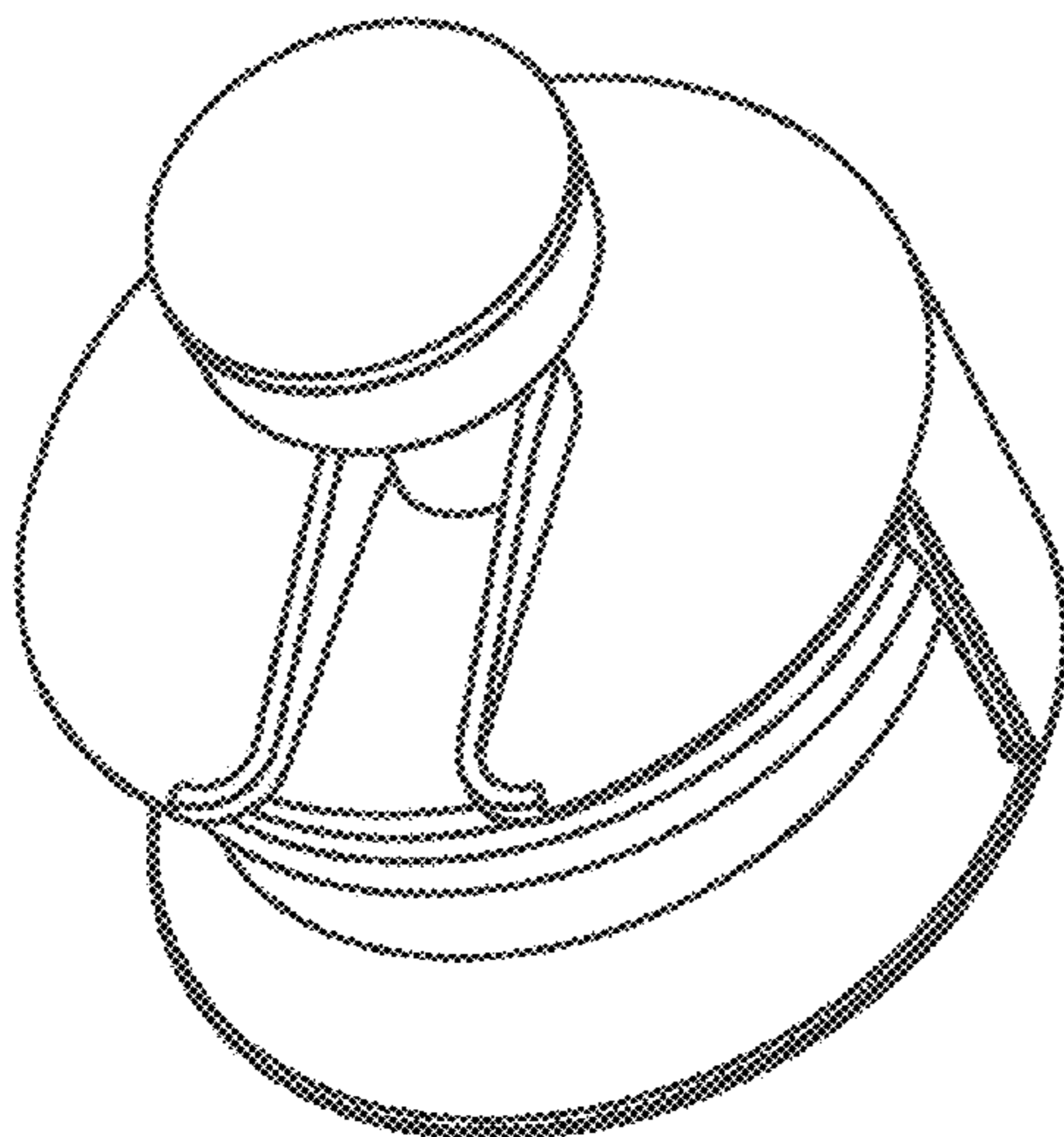


FIG. 1

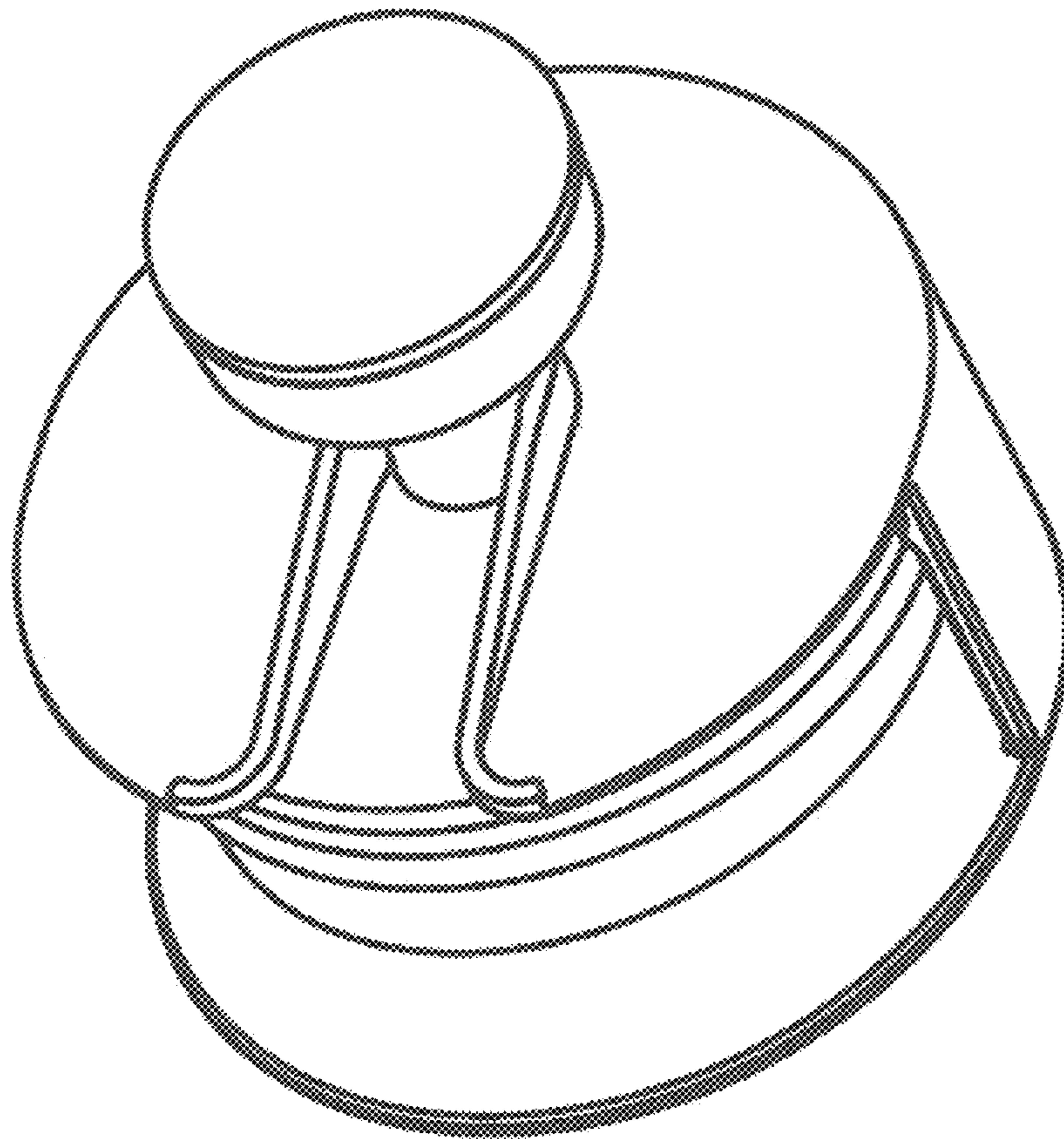


FIG. 2

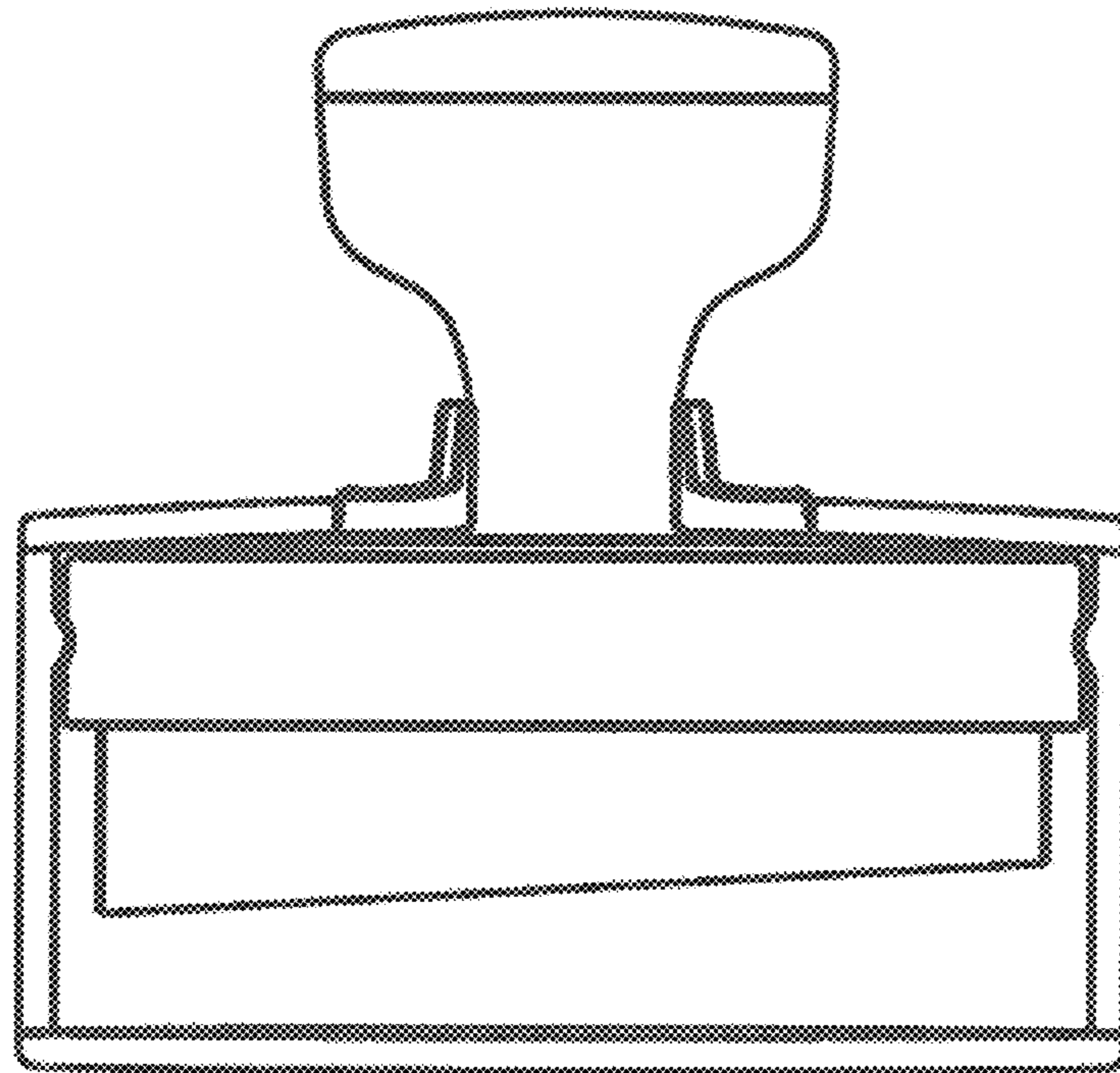


FIG. 3

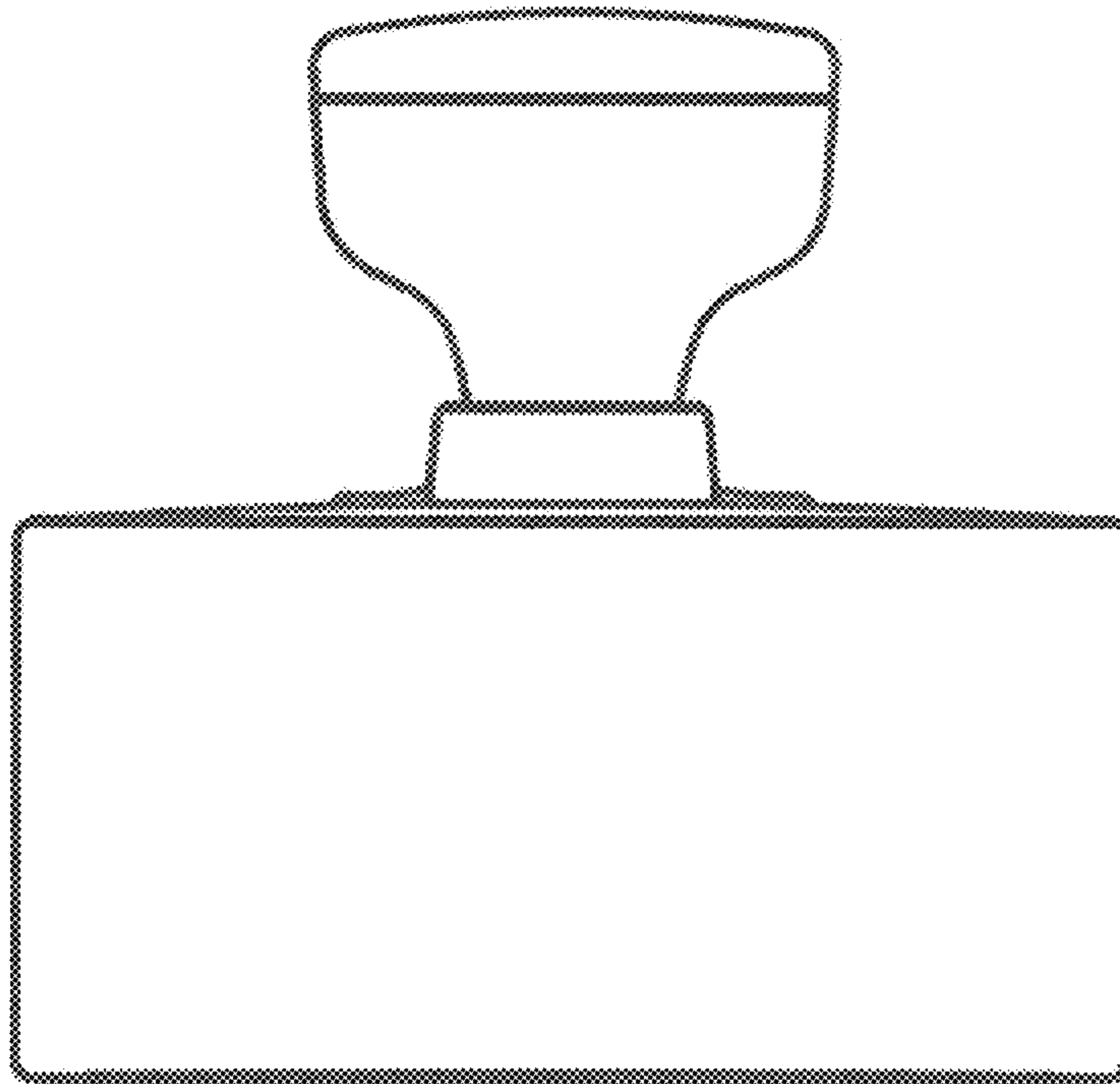


FIG. 4

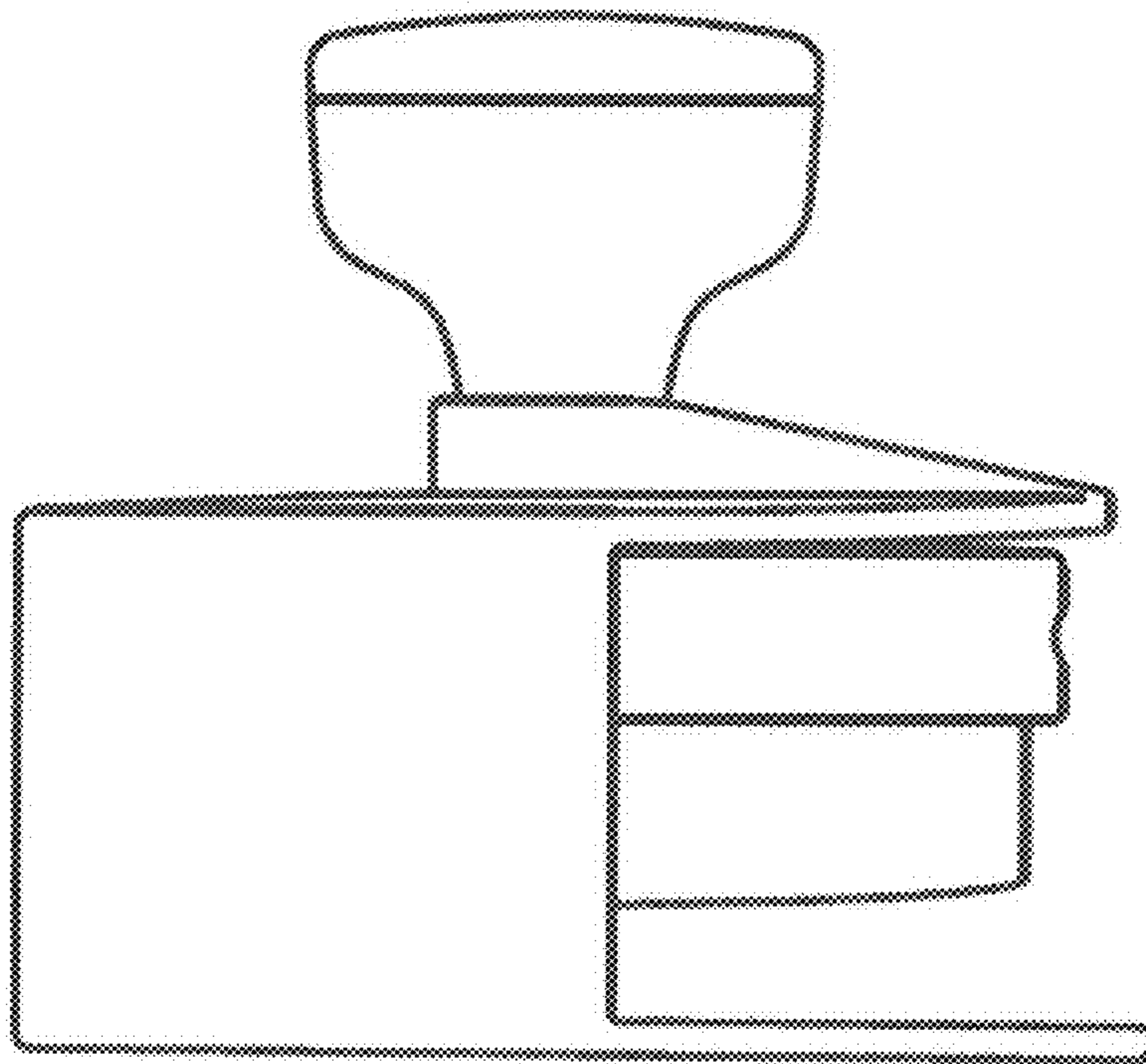


FIG. 5

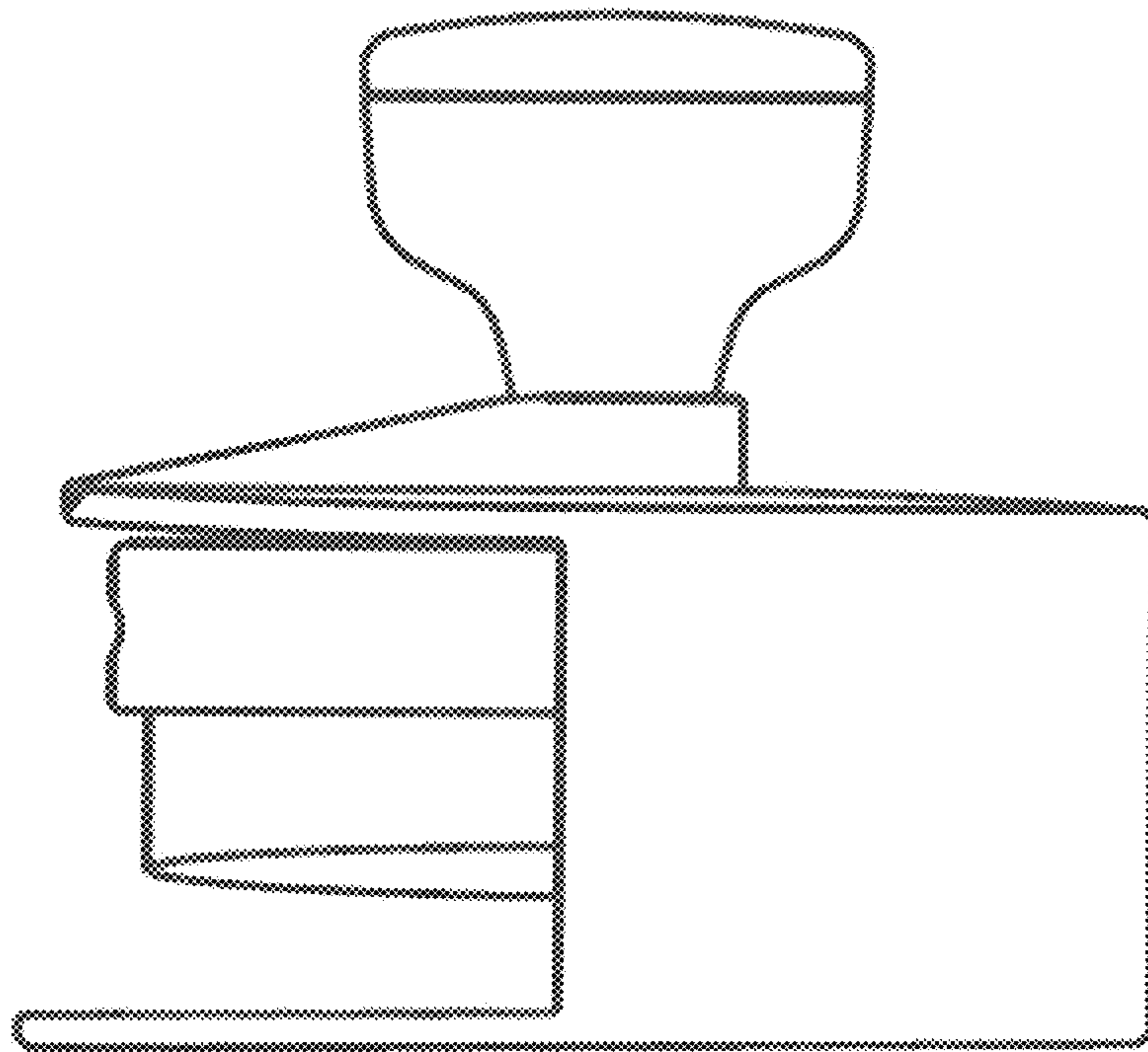


FIG. 6

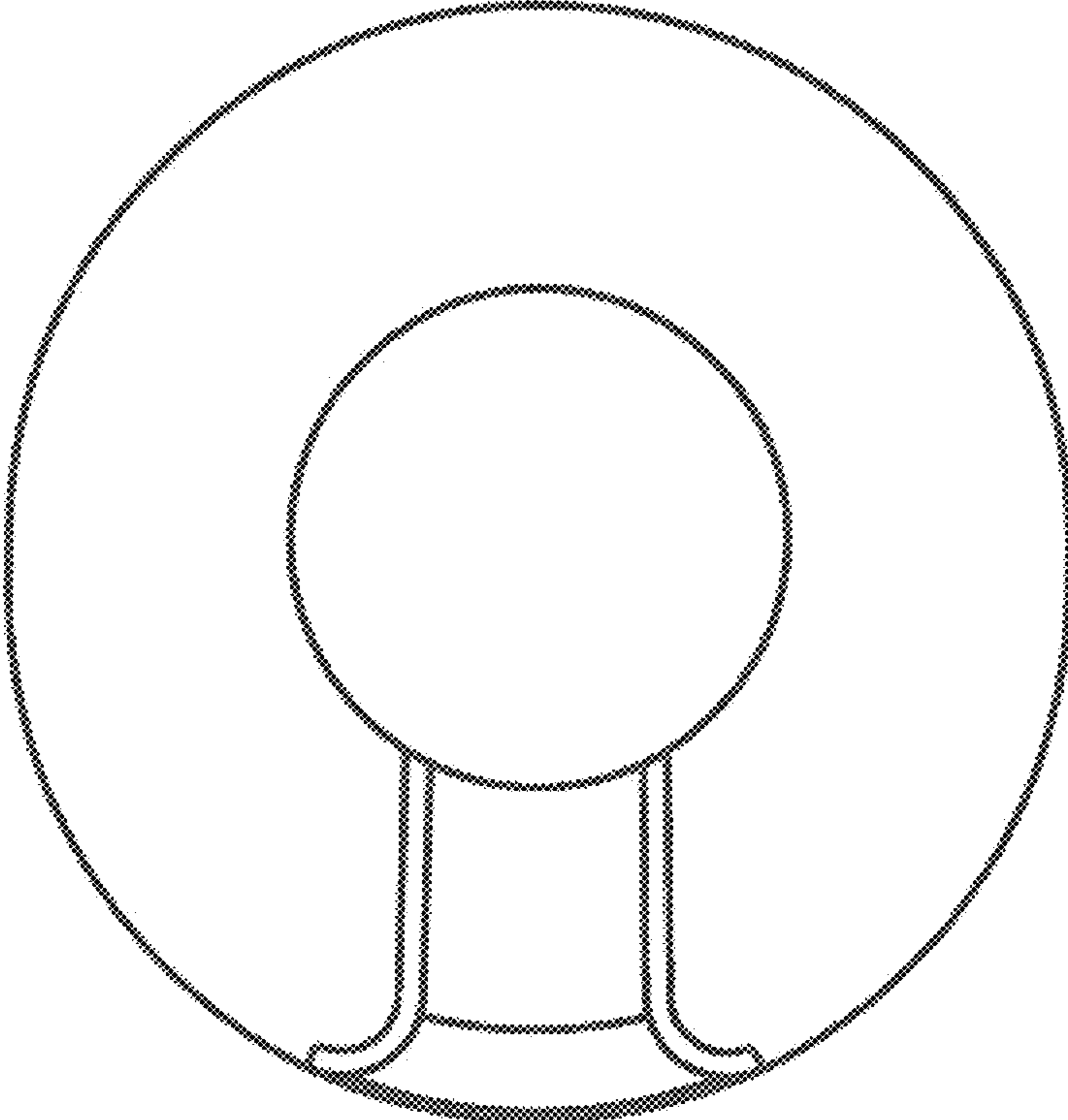


FIG. 7

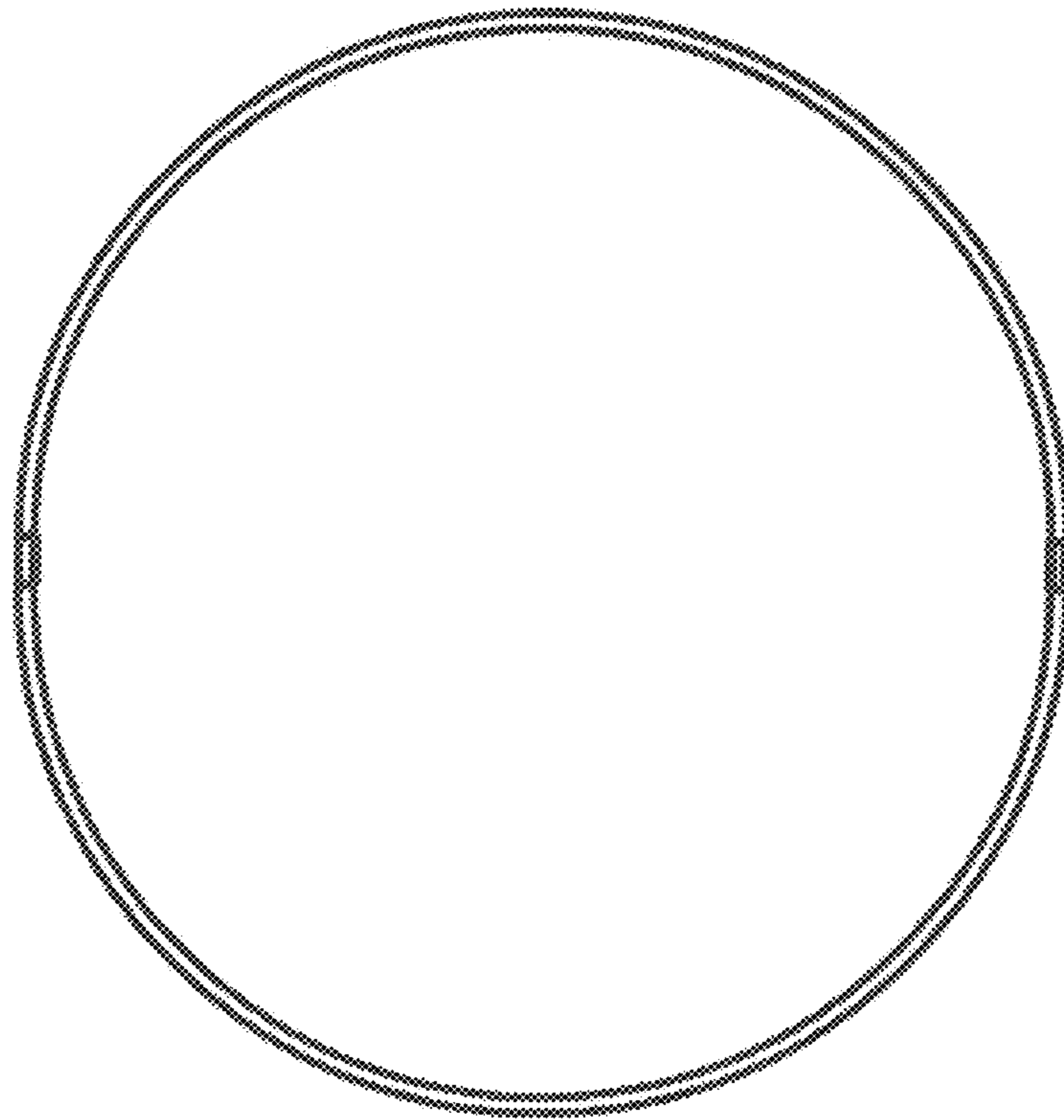


FIG. 8

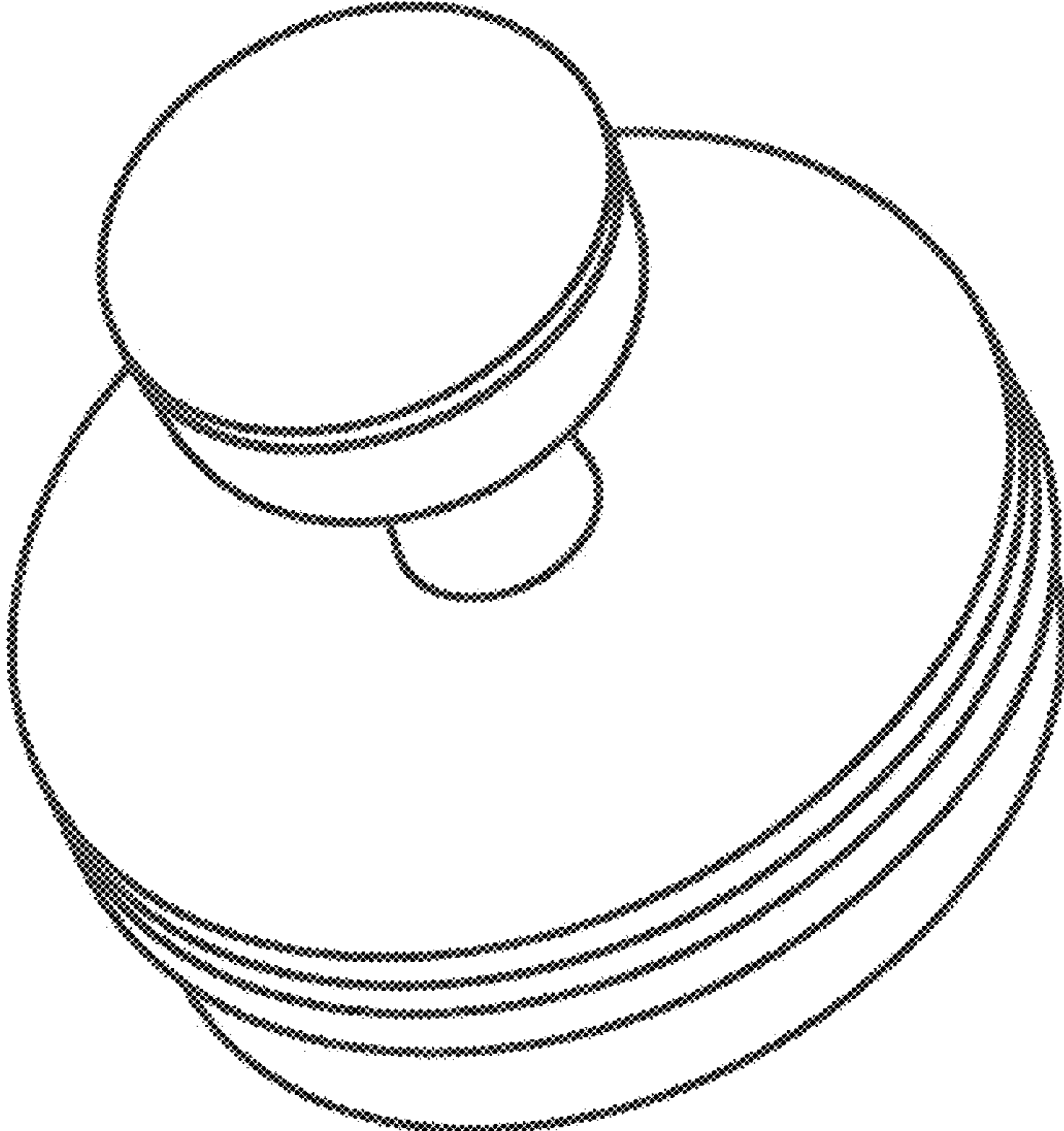


FIG. 9

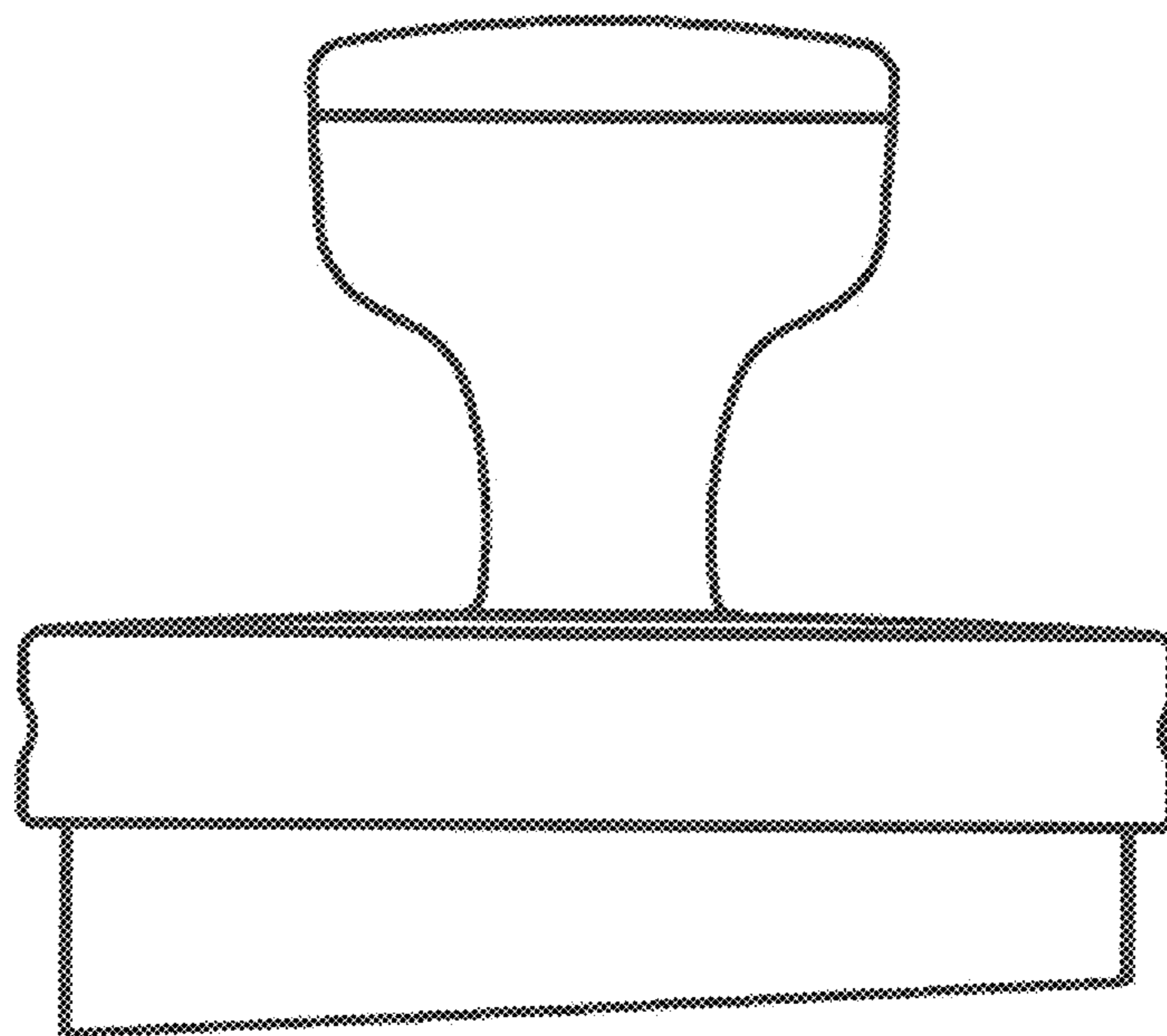


FIG. 10

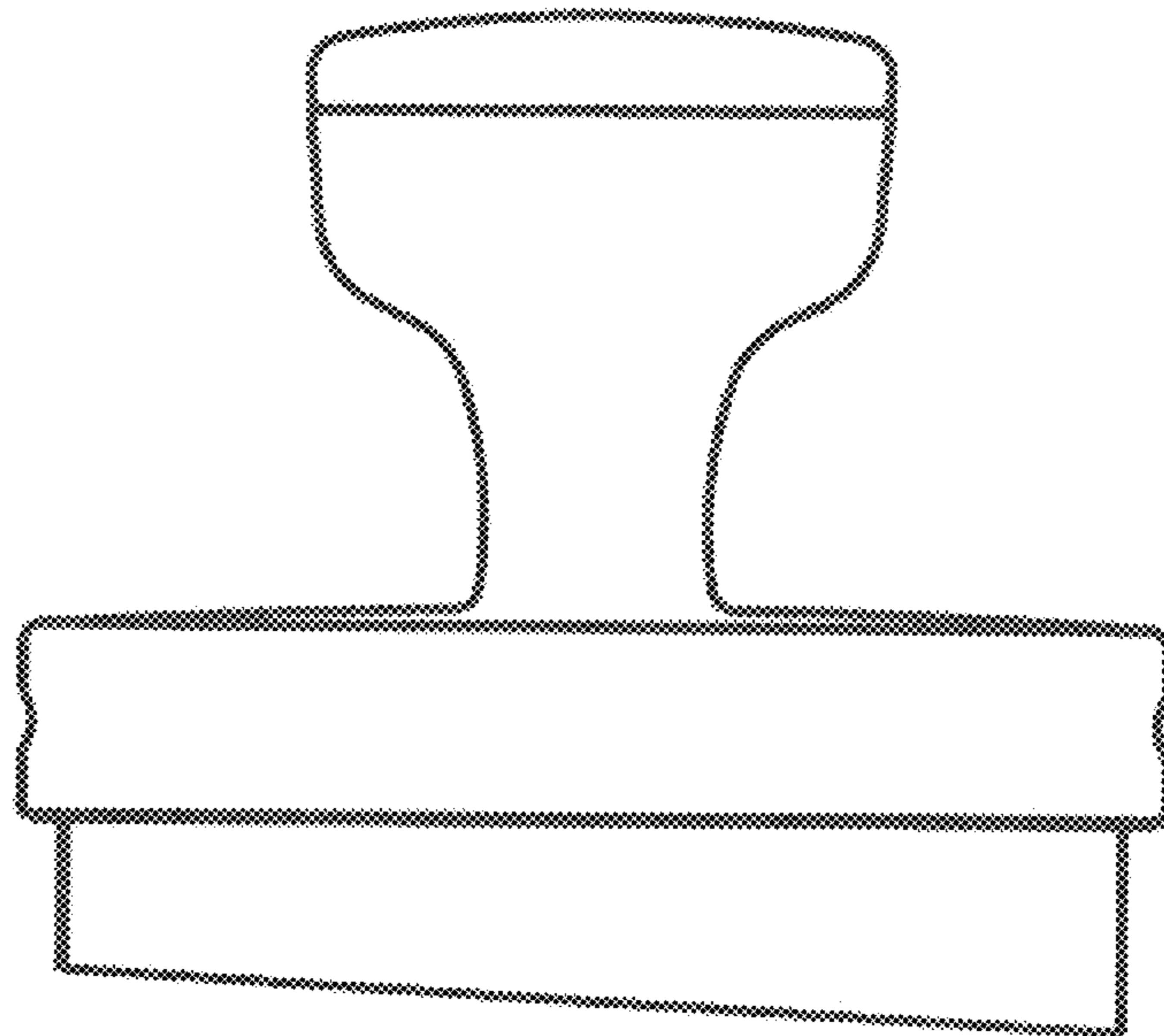


FIG. 11

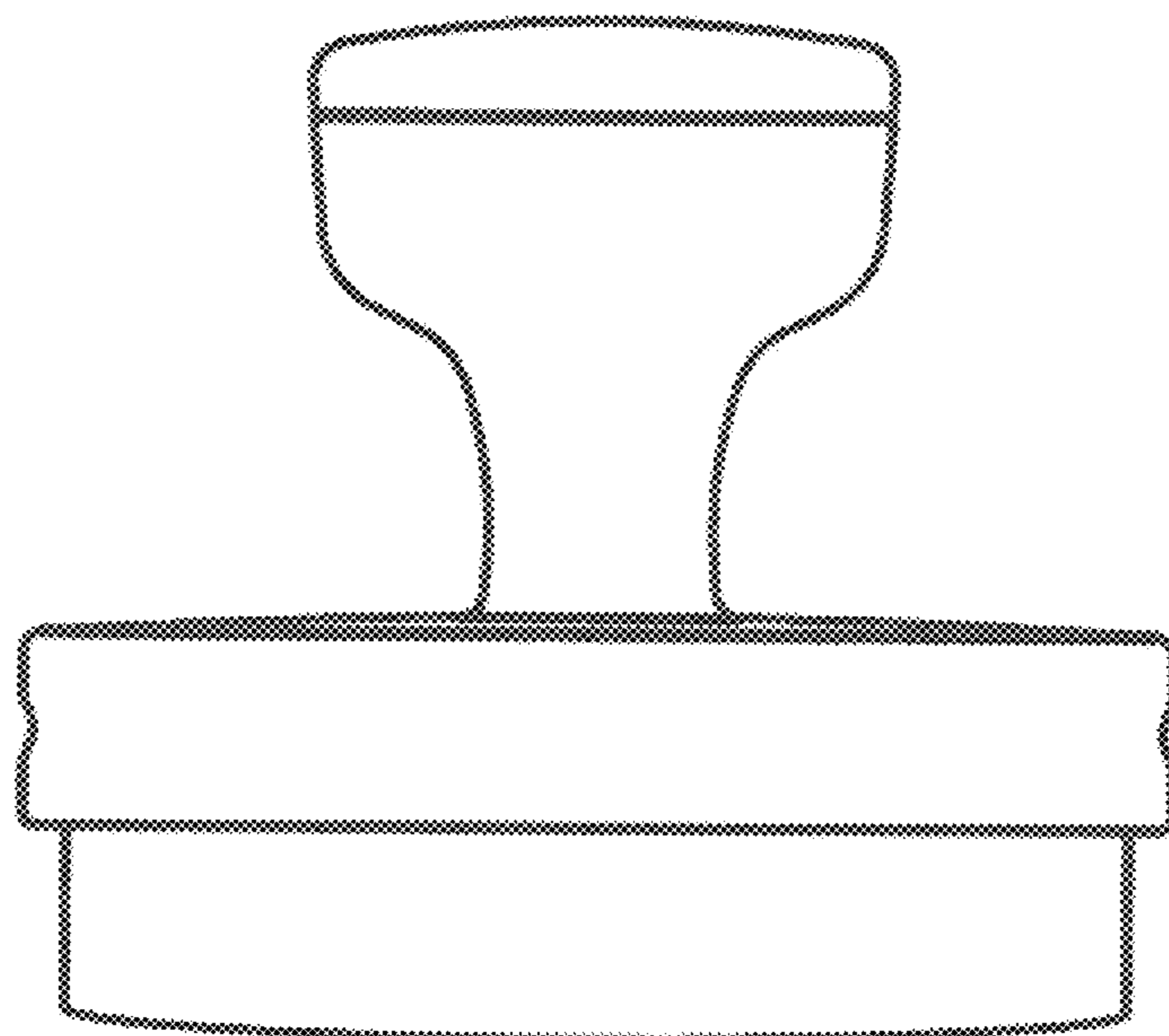


FIG. 12

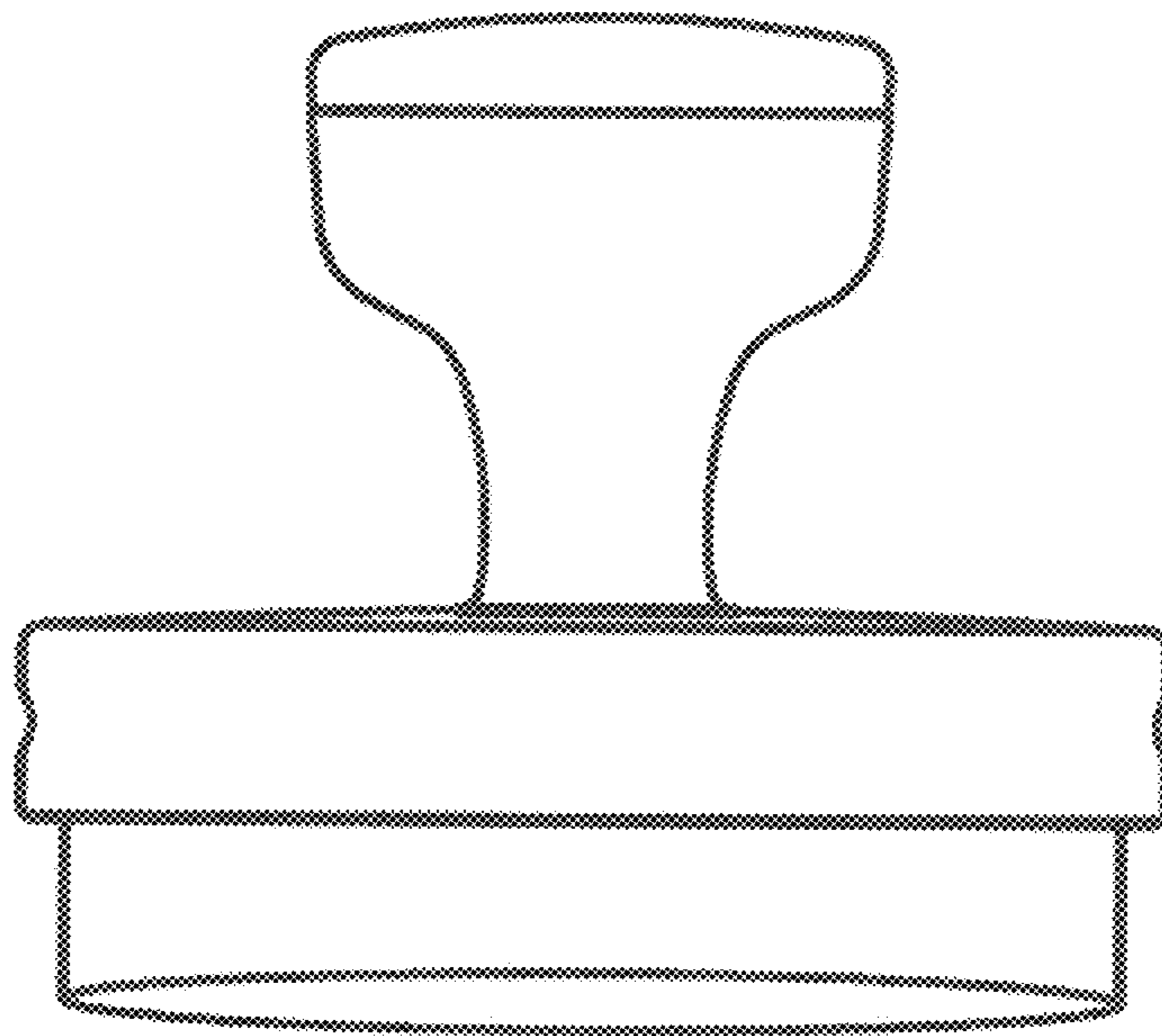


FIG. 13

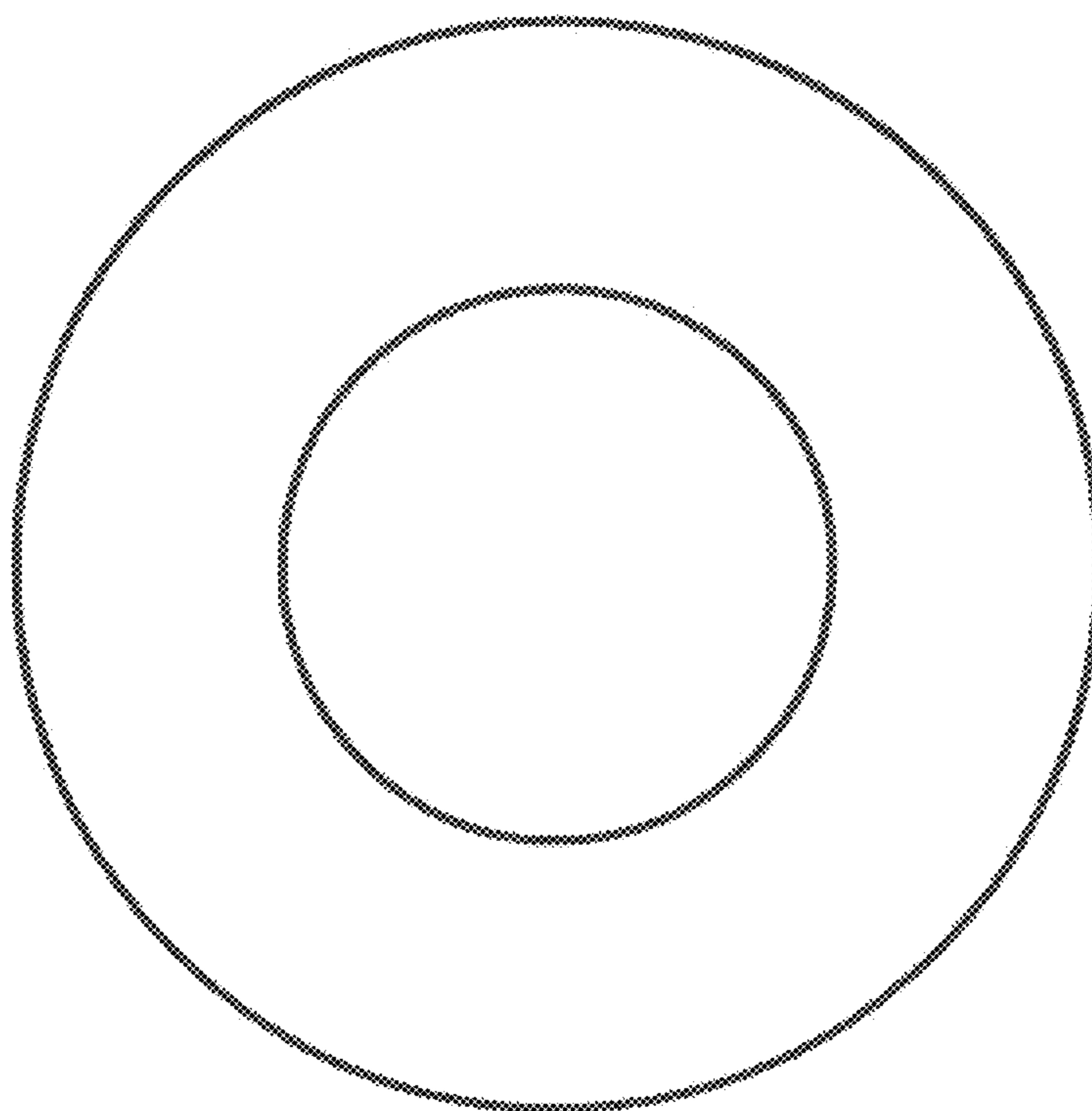


FIG. 14

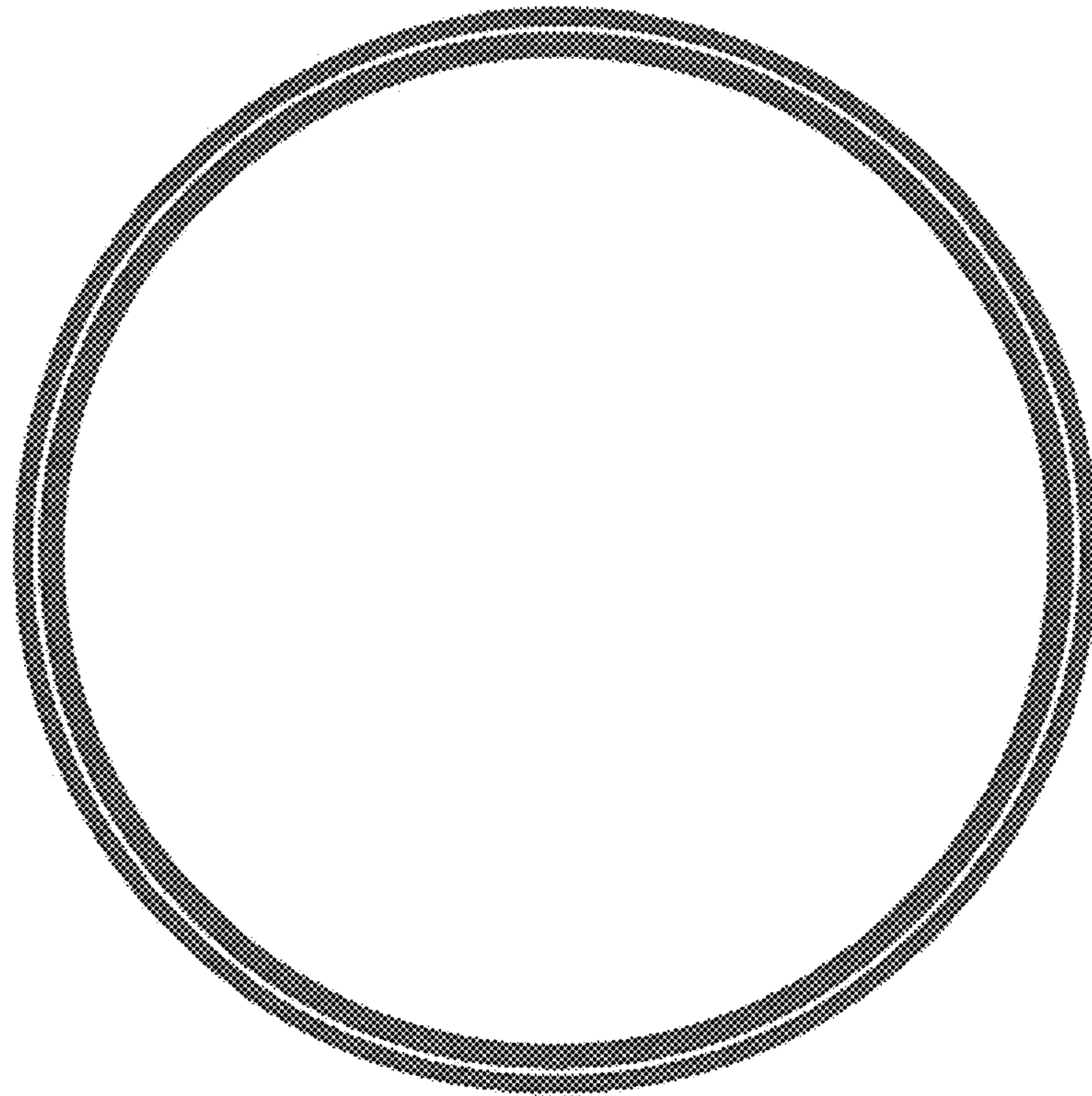


FIG. 15

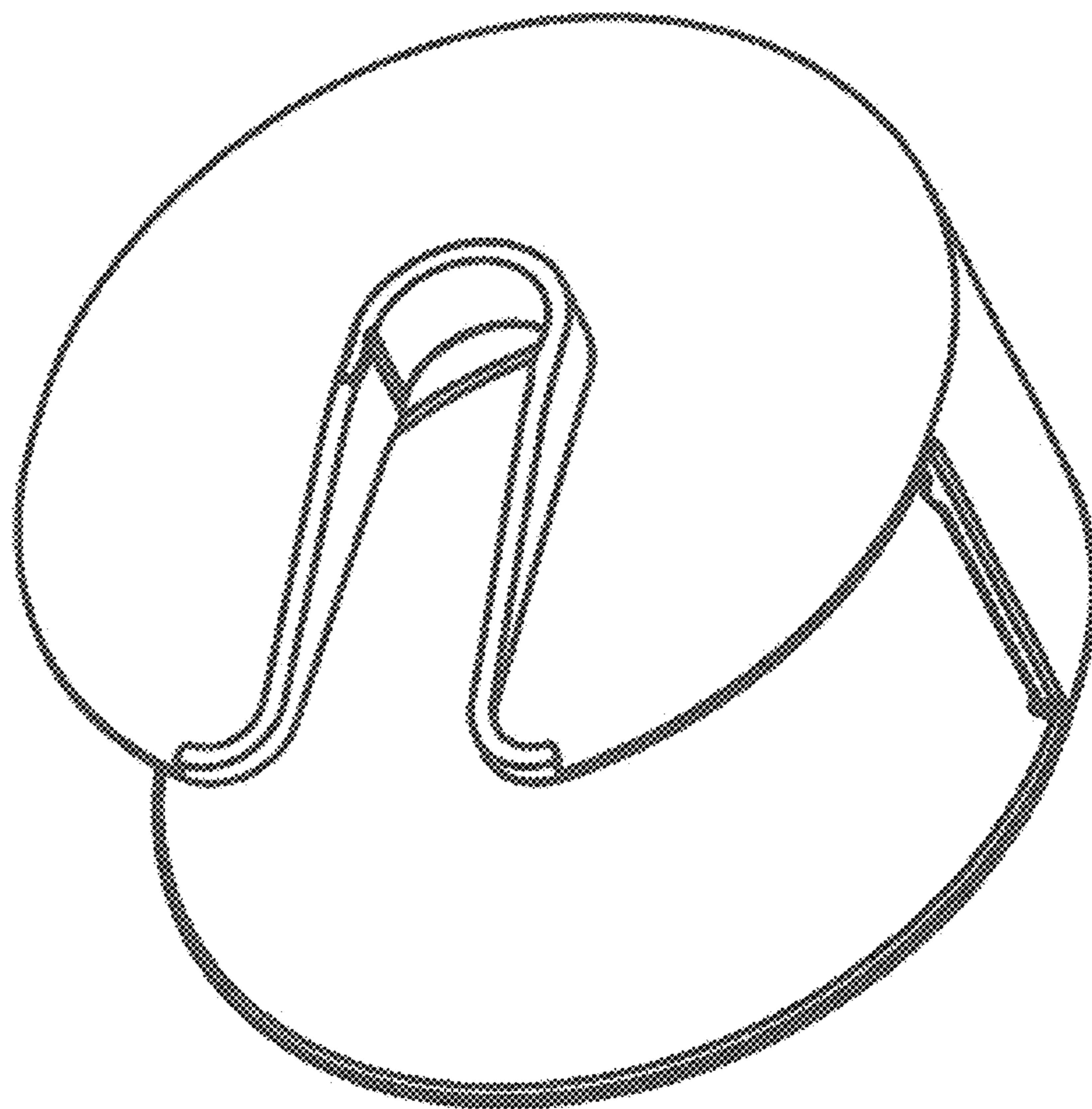


FIG. 16

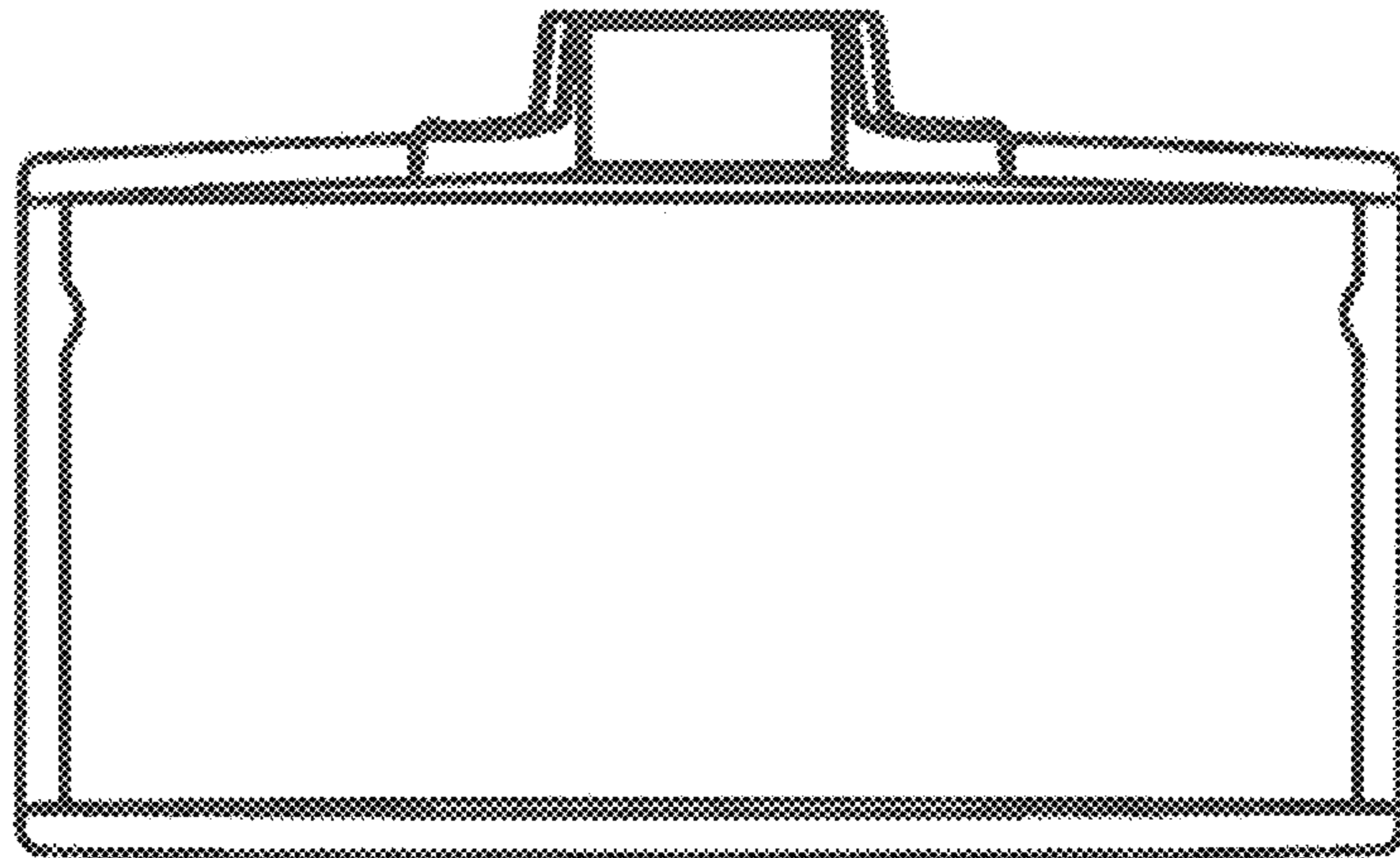


FIG. 17

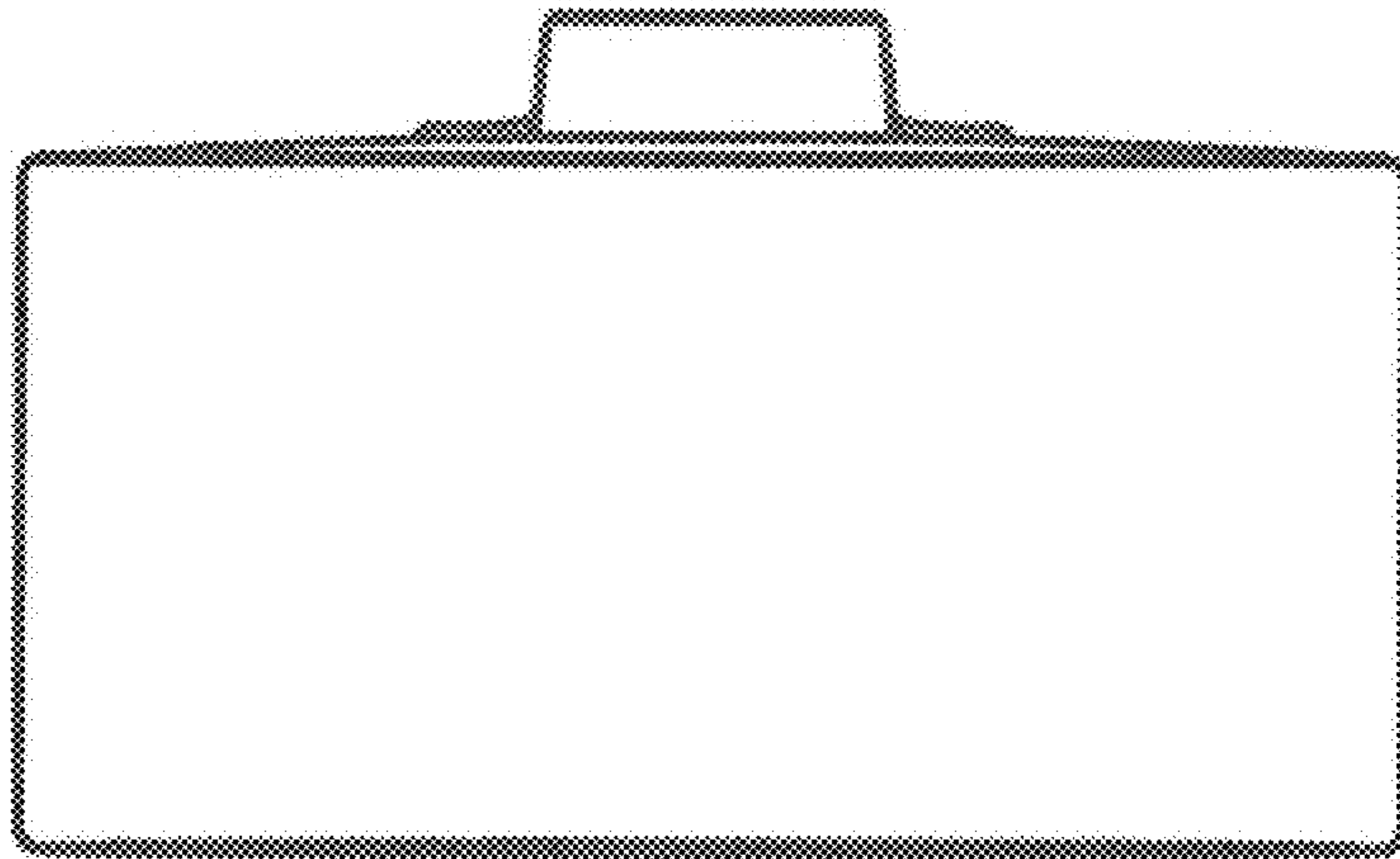


FIG. 18

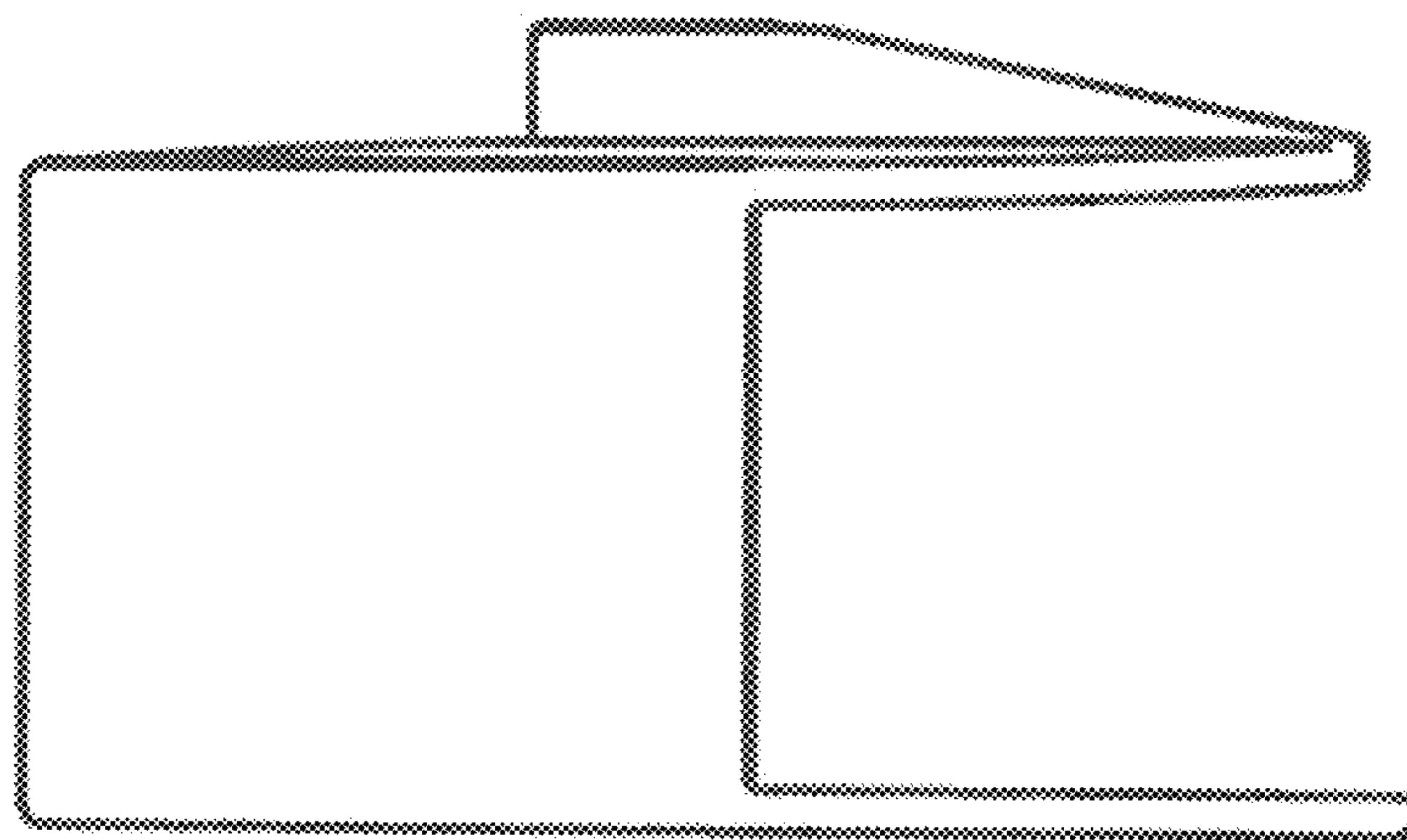


FIG. 19

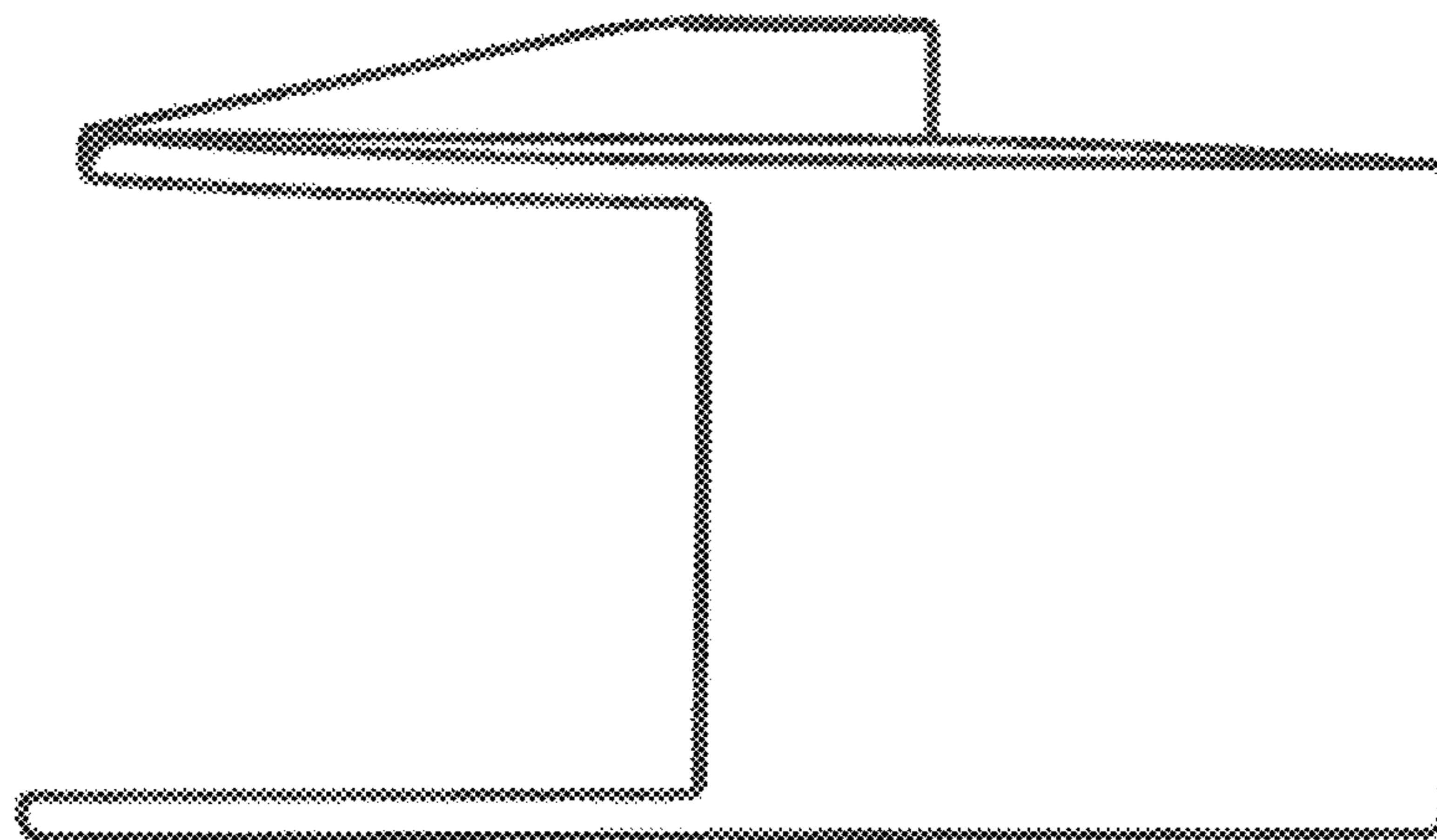


FIG. 20

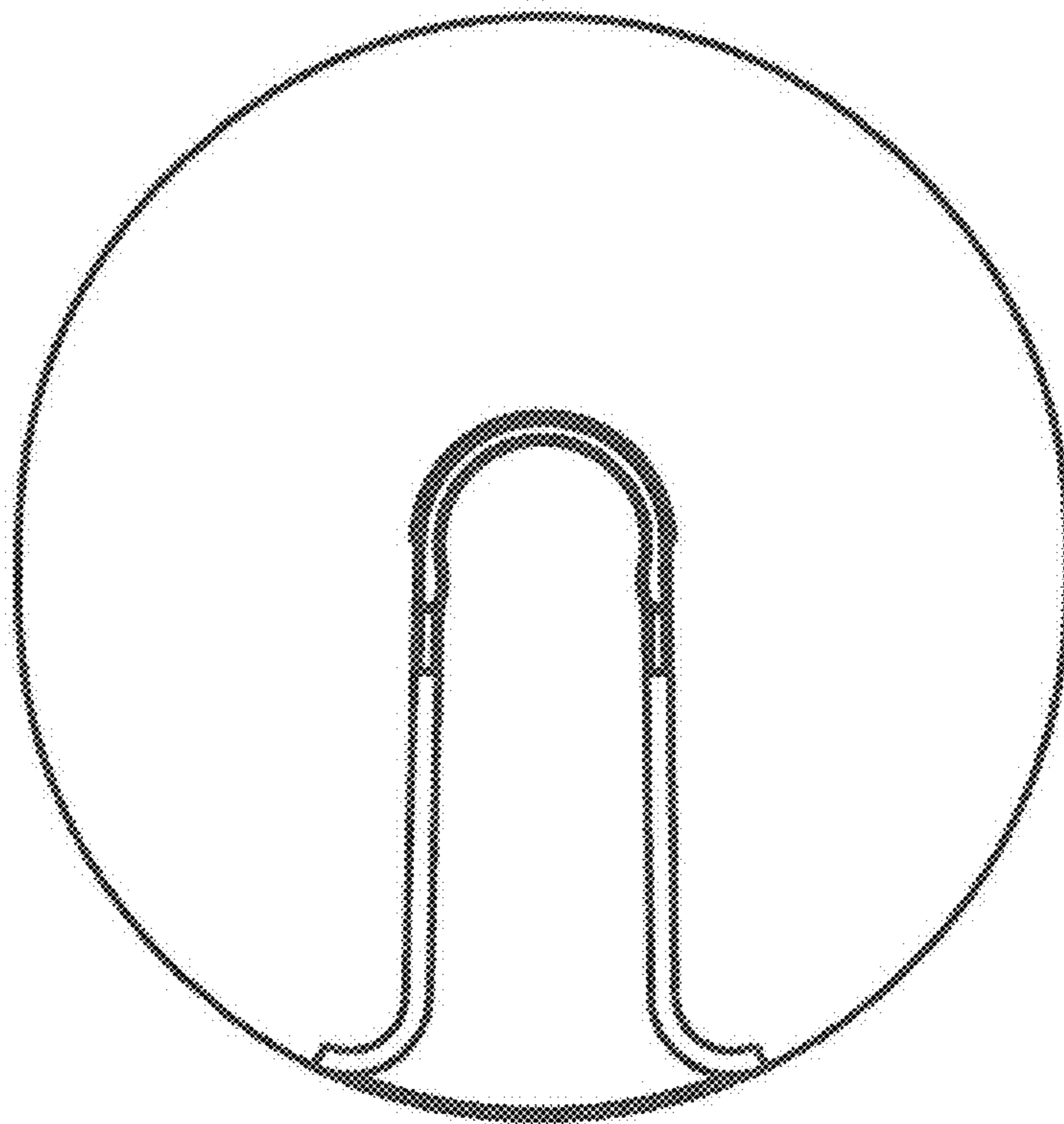


FIG. 21

