



US00D765979S

(12) **United States Design Patent** (10) **Patent No.:** **US D765,979 S**
Ascolese (45) **Date of Patent:** **** Sep. 13, 2016**

(54) **LUGGAGE ASSISTANT**

(71) Applicant: **Lisa Ascolese**, Farmingdale, NJ (US)

(72) Inventor: **Lisa Ascolese**, Farmingdale, NJ (US)

(73) Assignee: **Lisa Ascolese**, Farmingdale, NJ (US)

(**) Term: **14 Years**

(21) Appl. No.: **29/518,897**

(22) Filed: **Feb. 27, 2015**

(51) **LOC (10) Cl.** **03-01**

(52) **U.S. Cl.**
USPC **D3/318**

(58) **Field of Classification Search**
USPC D3/318
CPC A45C 13/08
See application file for complete search history.

(56) **References Cited**

U.S. PATENT DOCUMENTS

D491,368 S *	6/2004	Koenig	D3/318
D522,244 S *	6/2006	Toler	D3/318
D557,899 S *	12/2007	Chang	D3/318
D660,596 S *	5/2012	Sanchez	D3/318
D667,635 S *	9/2012	Sanchez	D3/318
D705,541 S *	5/2014	Harris	D3/318

* cited by examiner

Primary Examiner — Holly Baynham

(74) *Attorney, Agent, or Firm* — Moser Taboada

(57) **CLAIM**

The ornamental design for a luggage assistant, as shown and described.

DESCRIPTION

FIG. 1 is a perspective view of a first embodiment of a luggage assistant embodying the new design, shown in use mounted over a suitcase;

FIG. 2 is a front view thereof;
 FIG. 3 is back view thereof;
 FIG. 4 is a right side view thereof;
 FIG. 5 is a left side view thereof;
 FIG. 6 is a top view thereof; and
 FIG. 7 is a bottom view thereof.
 FIG. 8 is a perspective view of the first embodiment of the luggage assistant embodying the new design, in artificially expanded configuration;
 FIG. 9 is a front view thereof;
 FIG. 10 is back view thereof;
 FIG. 11 is a right side view thereof;
 FIG. 12 is a left side view thereof;
 FIG. 13 is a top view thereof; and
 FIG. 14 is a bottom view thereof.
 FIG. 15 is a perspective view of a second embodiment of the luggage assistant embodying the new design, shown in use mounted over a suitcase;
 FIG. 16 is a front view thereof;
 FIG. 17 is back view thereof;
 FIG. 18 is a right side view thereof;
 FIG. 19 is a left side view thereof;
 FIG. 20 is a top view thereof; and
 FIG. 21 is a bottom view thereof.
 FIG. 22 is a perspective view of the second embodiment of the luggage assistant embodying the new design, in artificially expanded configuration;
 FIG. 23 is a front view thereof;
 FIG. 24 is back view thereof;
 FIG. 25 is a right side view thereof;
 FIG. 26 is a left side view thereof;
 FIG. 27 is a top view thereof; and
 FIG. 28 is a bottom view thereof.
 FIG. 29 is a perspective view of a third embodiment of the luggage assistant embodying the new design, shown in use mounted over a suitcase;
 FIG. 30 is a front view thereof;
 FIG. 31 is back view thereof;
 FIG. 32 is a right side view thereof;
 FIG. 33 is a left side view thereof;
 FIG. 34 is a top view thereof; and
 FIG. 35 is a bottom view thereof.

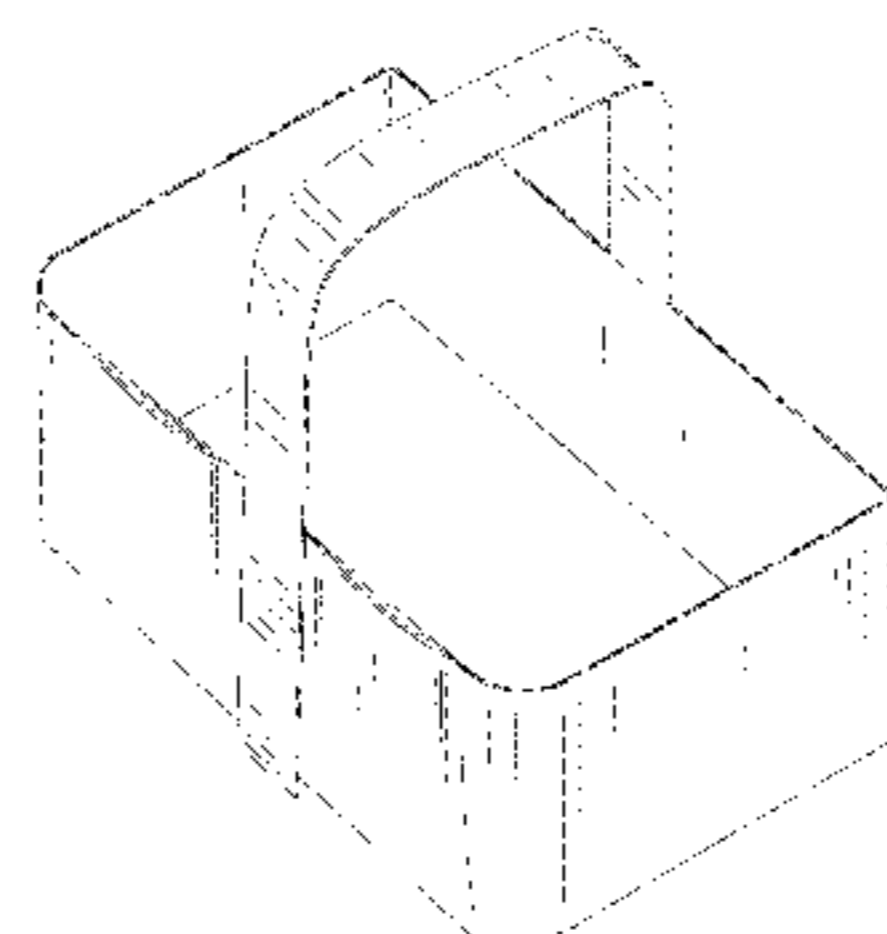
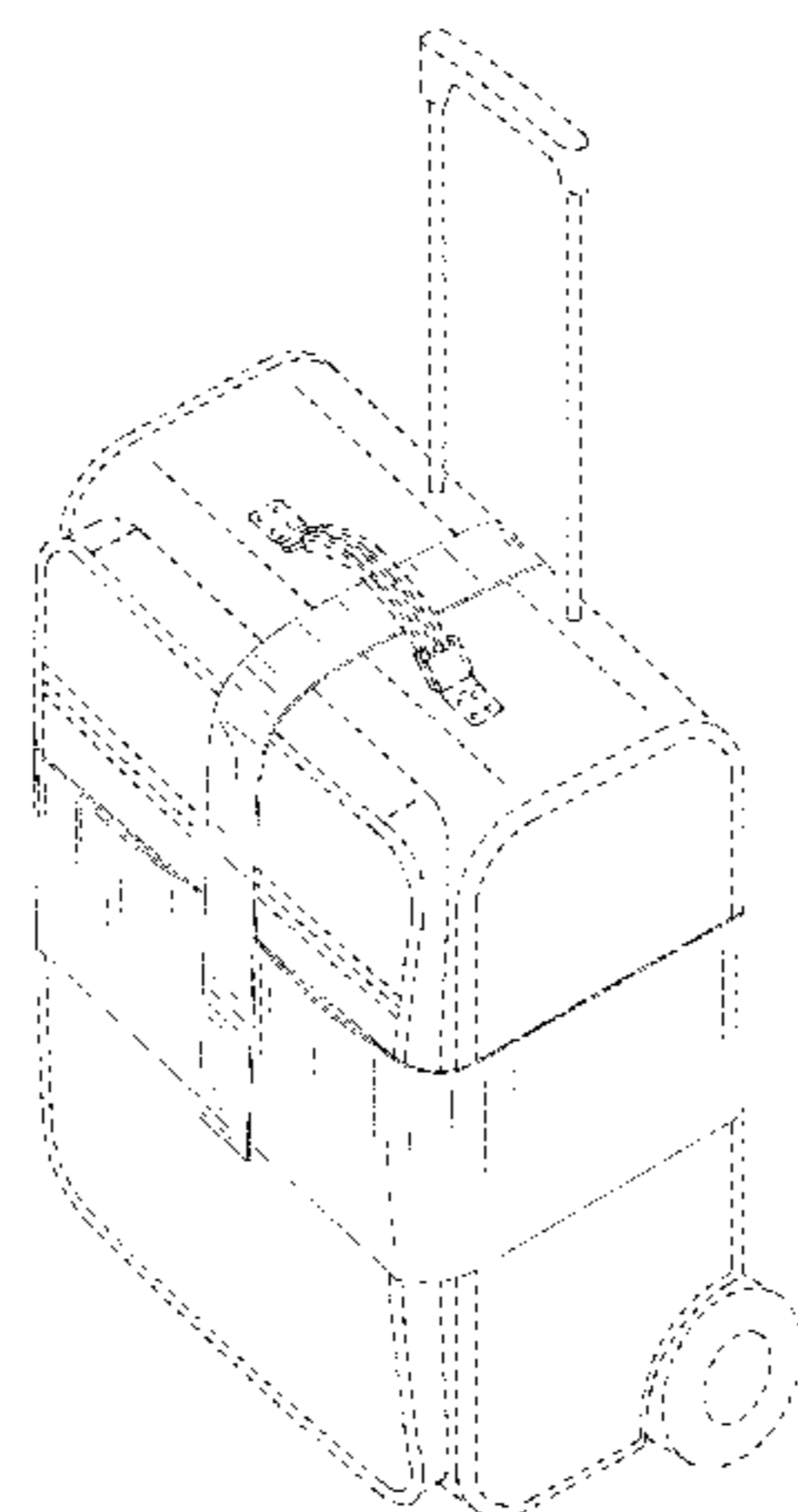


FIG. **36** is a perspective view of the second embodiment of the luggage assistant embodying the new design, in artificially expanded configuration;

FIG. **37** is a front view thereof;

FIG. **38** is back view thereof;

FIG. **39** is a right side view thereof;

FIG. **40** is a left side view thereof;

FIG. **41** is a top view thereof; and,

FIG. **42** is a bottom view thereof.

FIGS. **1-42** illustrate one, two and three strap embodiments of the luggage assistant design, shown in use mounted over a suitcase, and shown without the suitcase, preserved in the same shape when mounted to illustrate the design. The luggage assistant is made of fabric.

The broken lines showing luggage are included for the purpose of illustrating environment and forms no part of the claimed design.

1 Claim, 36 Drawing Sheets

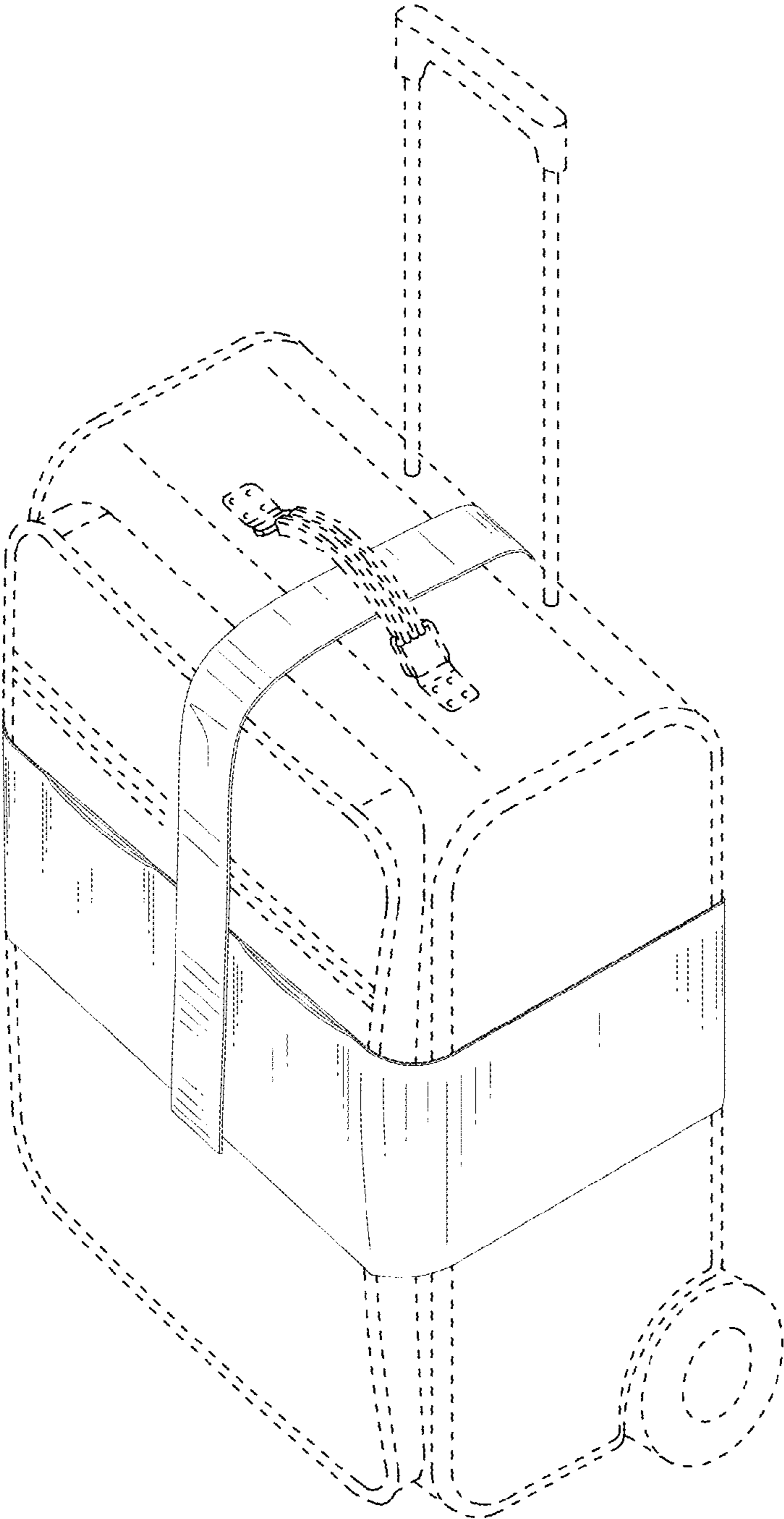


FIG. 1

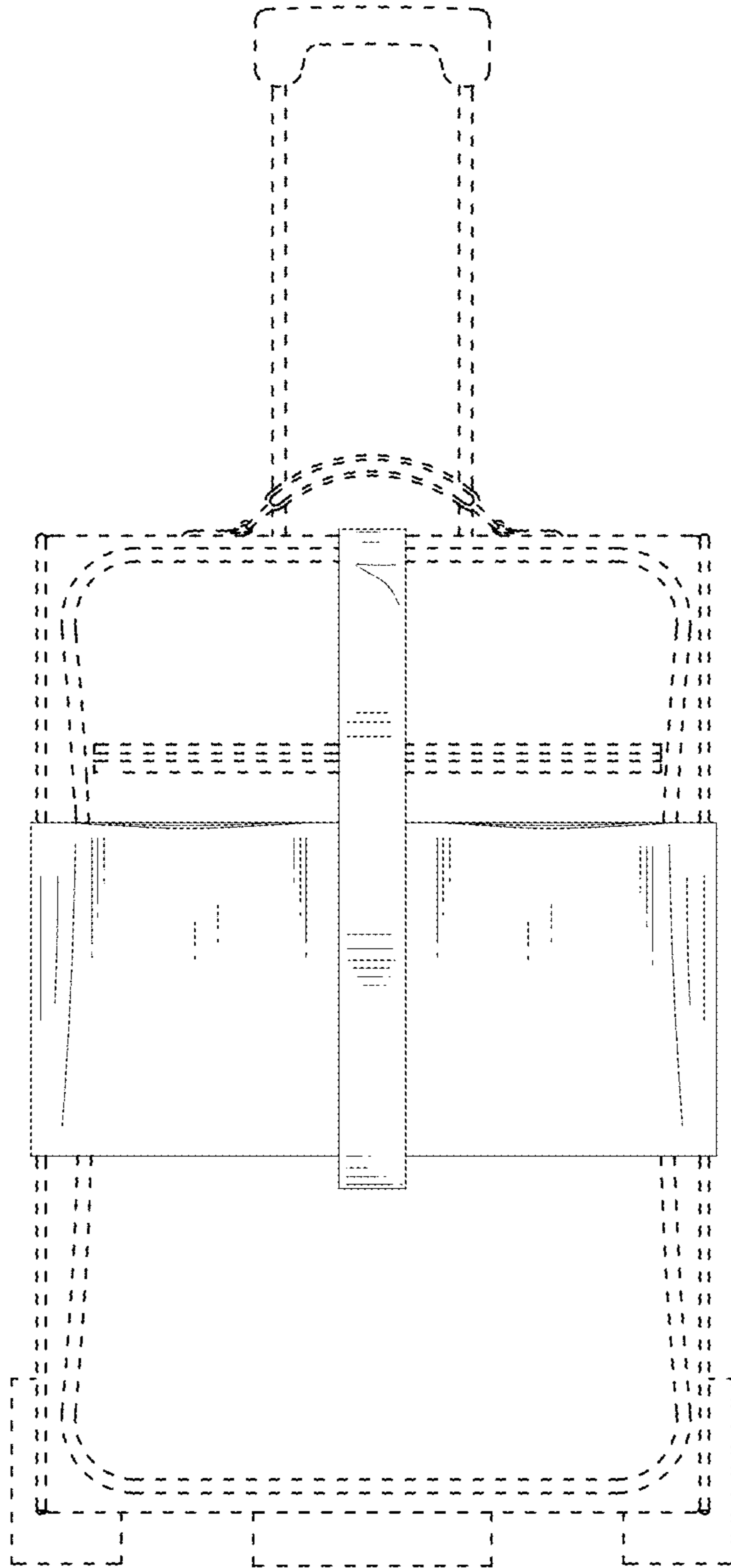


FIG. 2

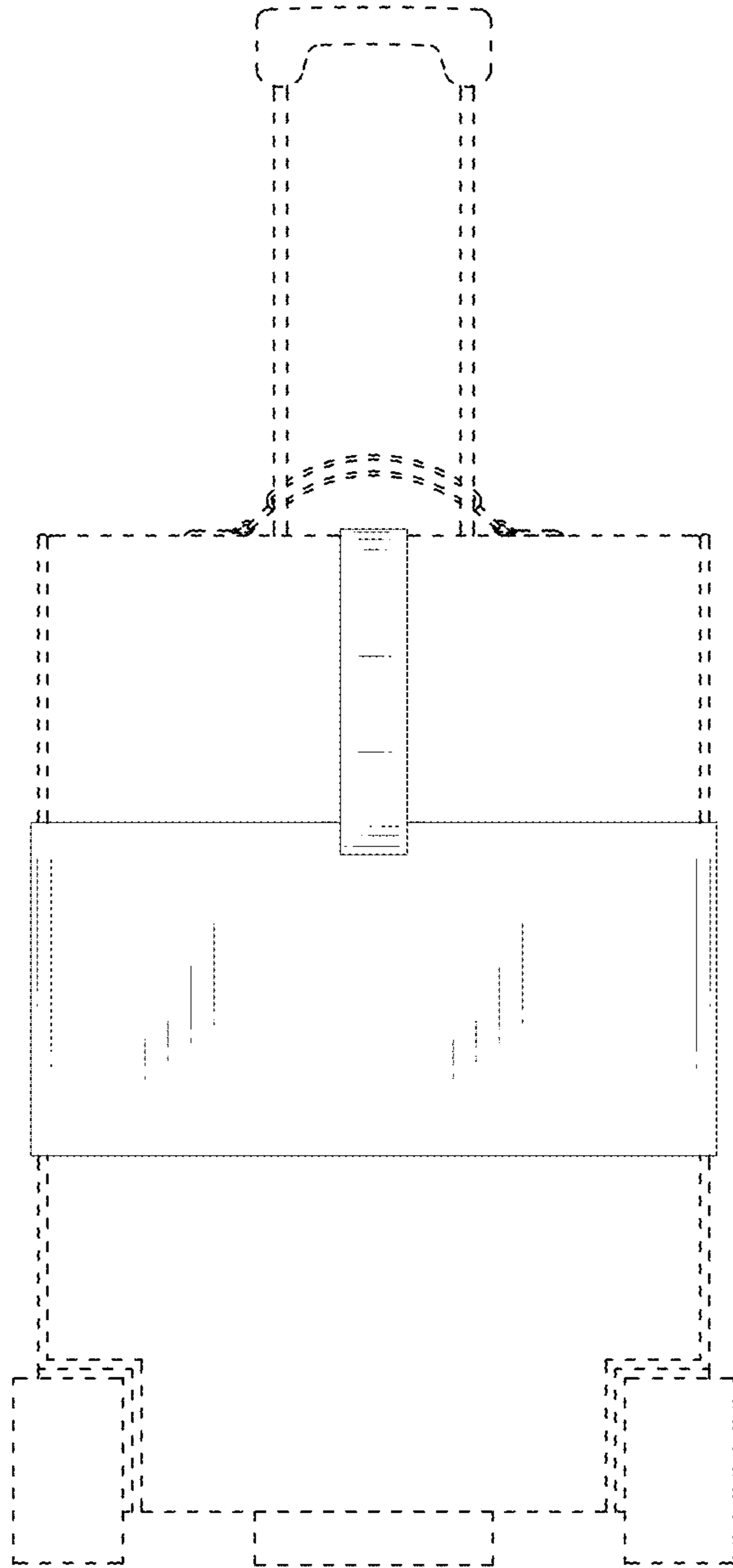


FIG. 3

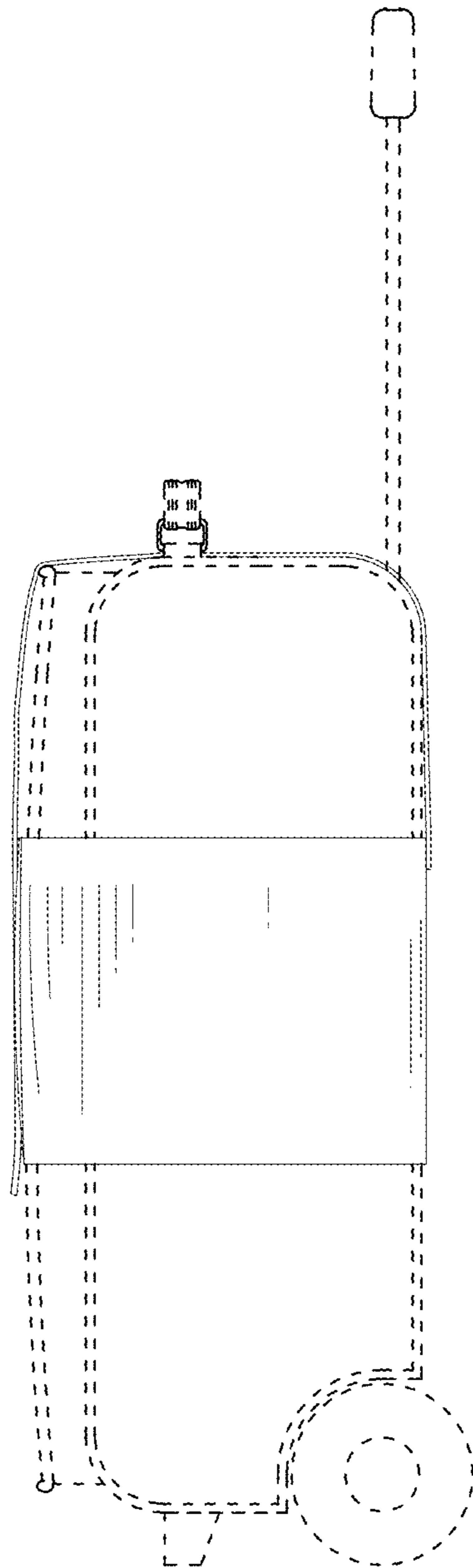


FIG. 4

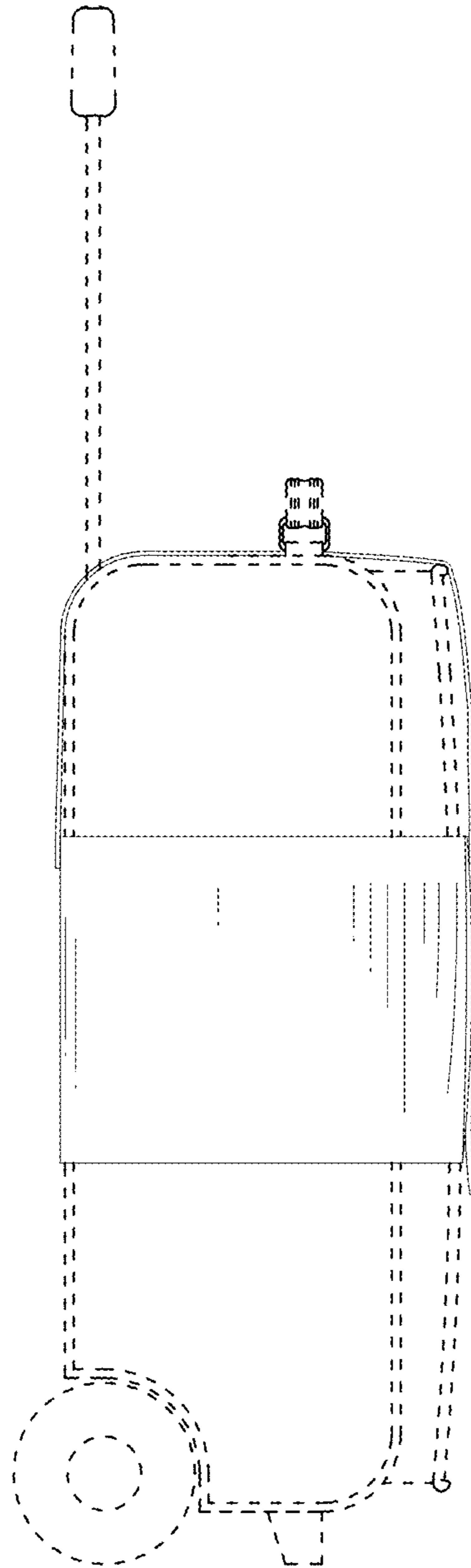


FIG. 5

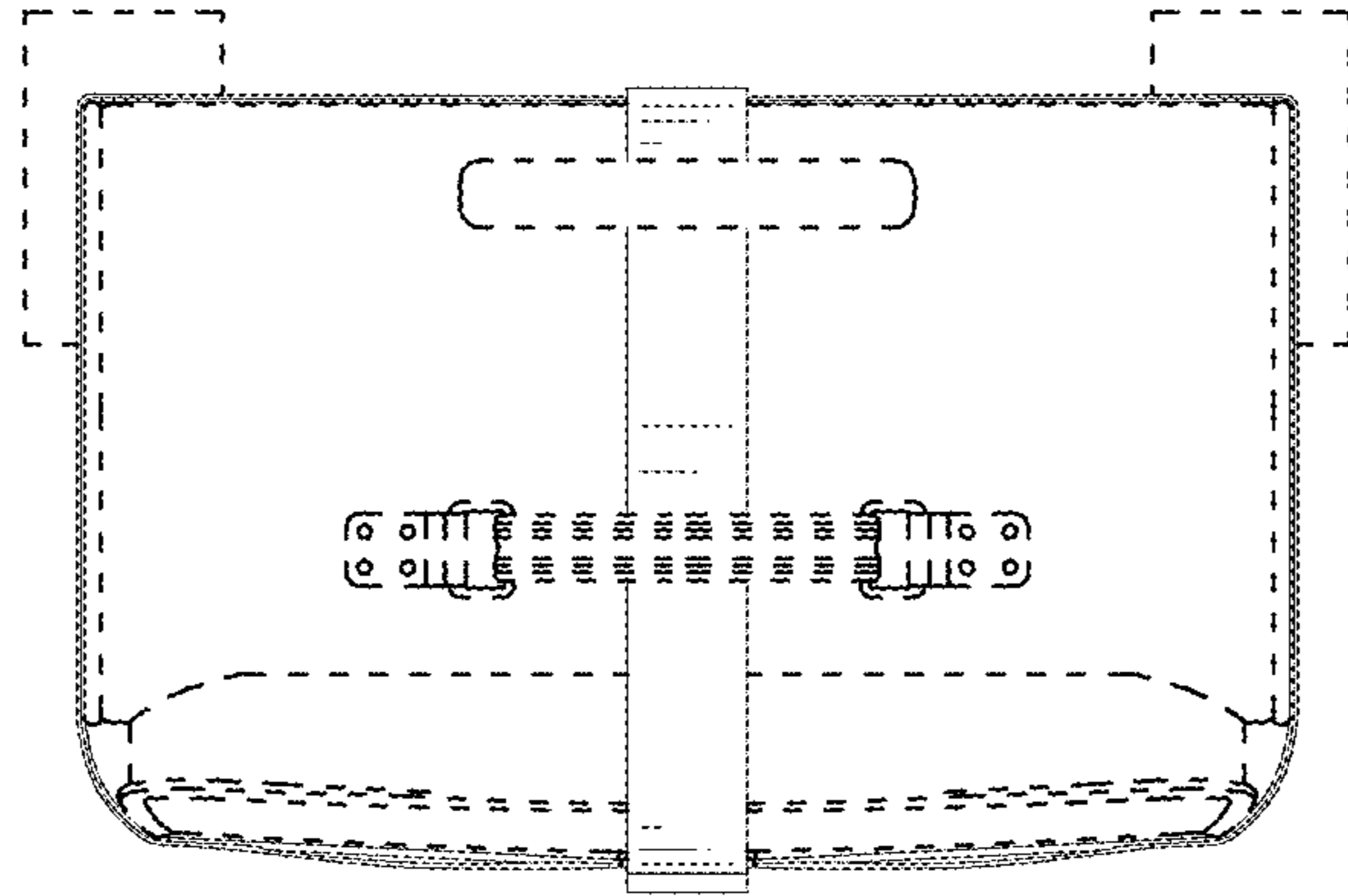


FIG. 6

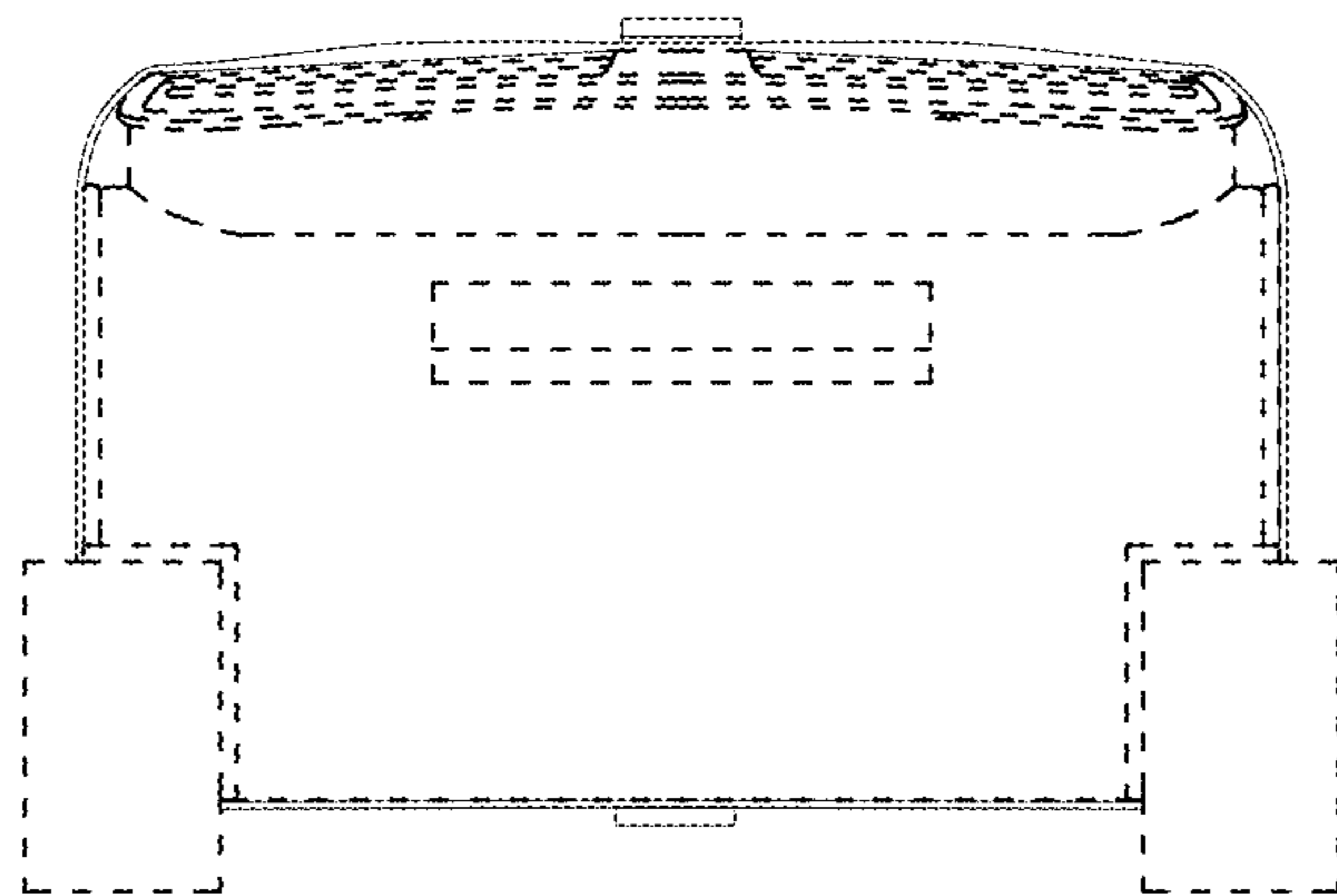


FIG. 7

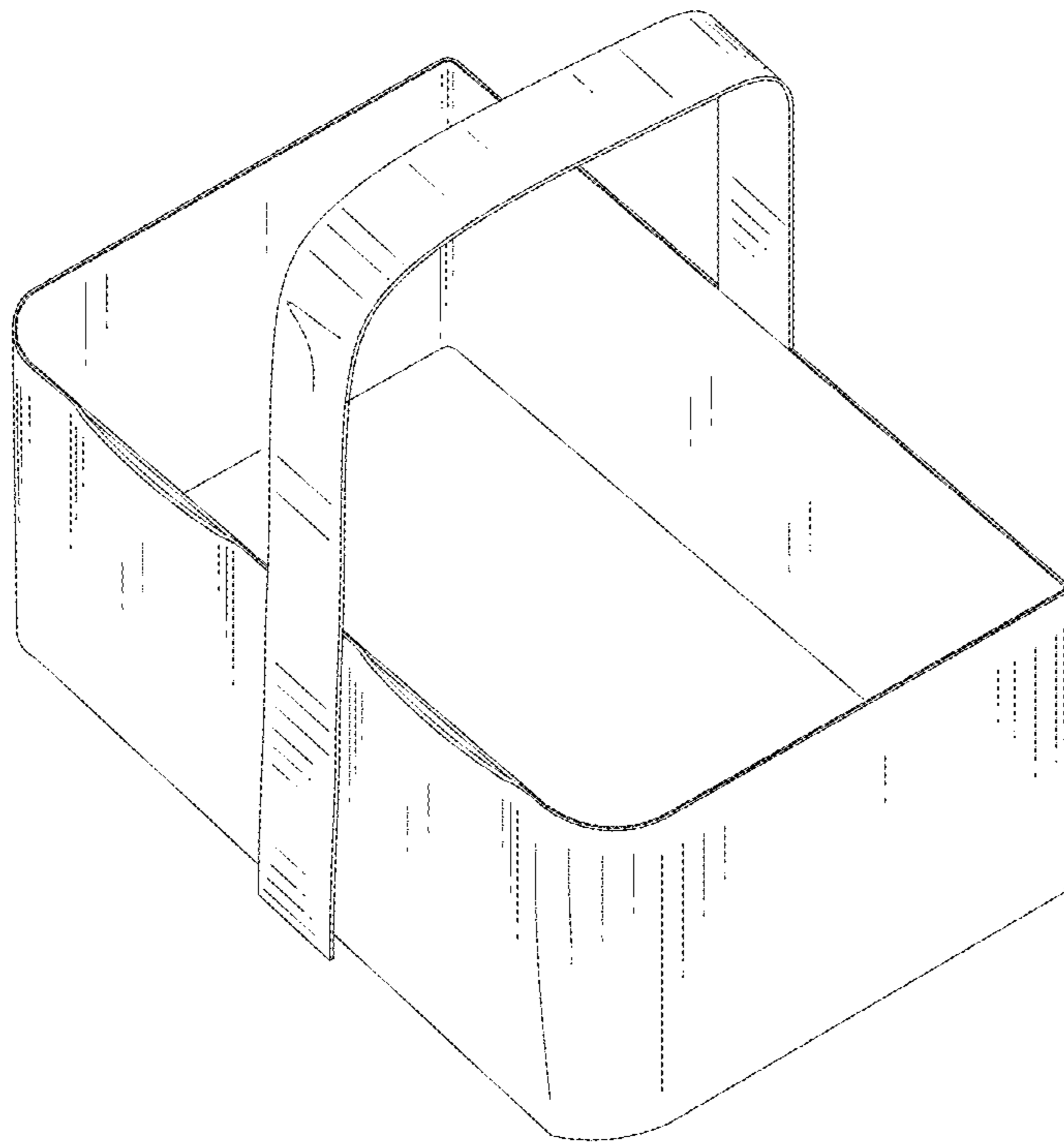


FIG. 8

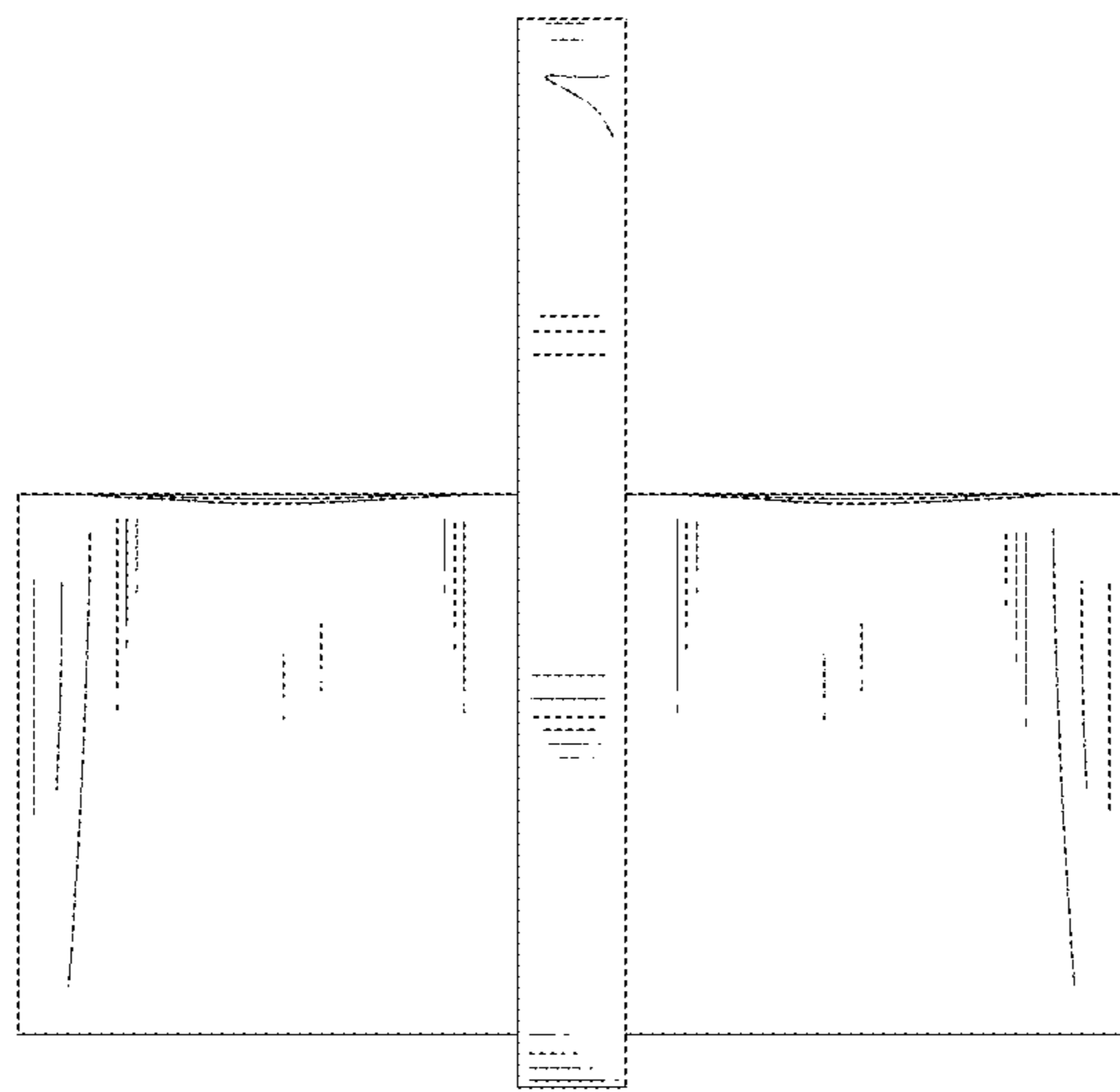


FIG. 9

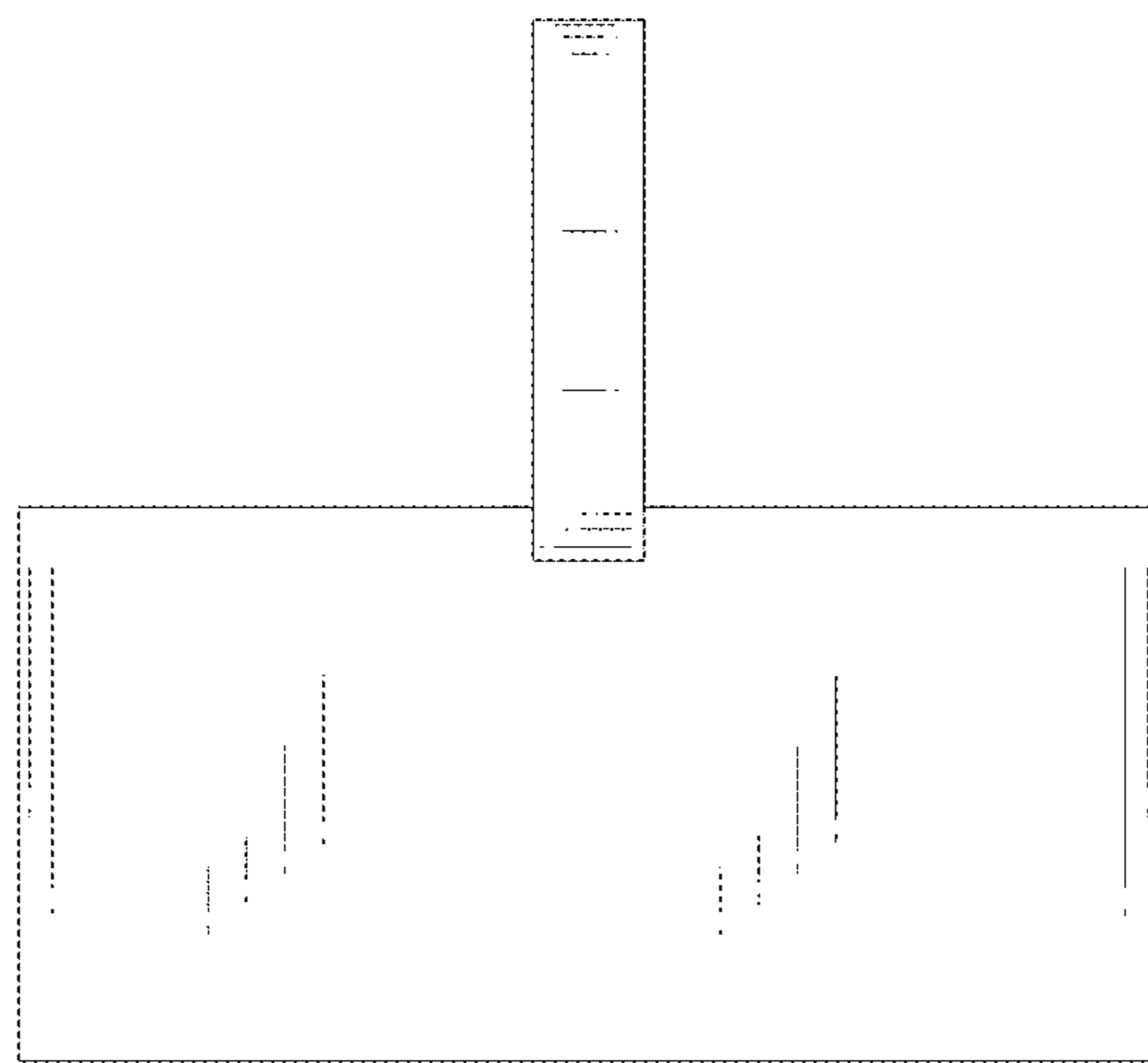


FIG. 10

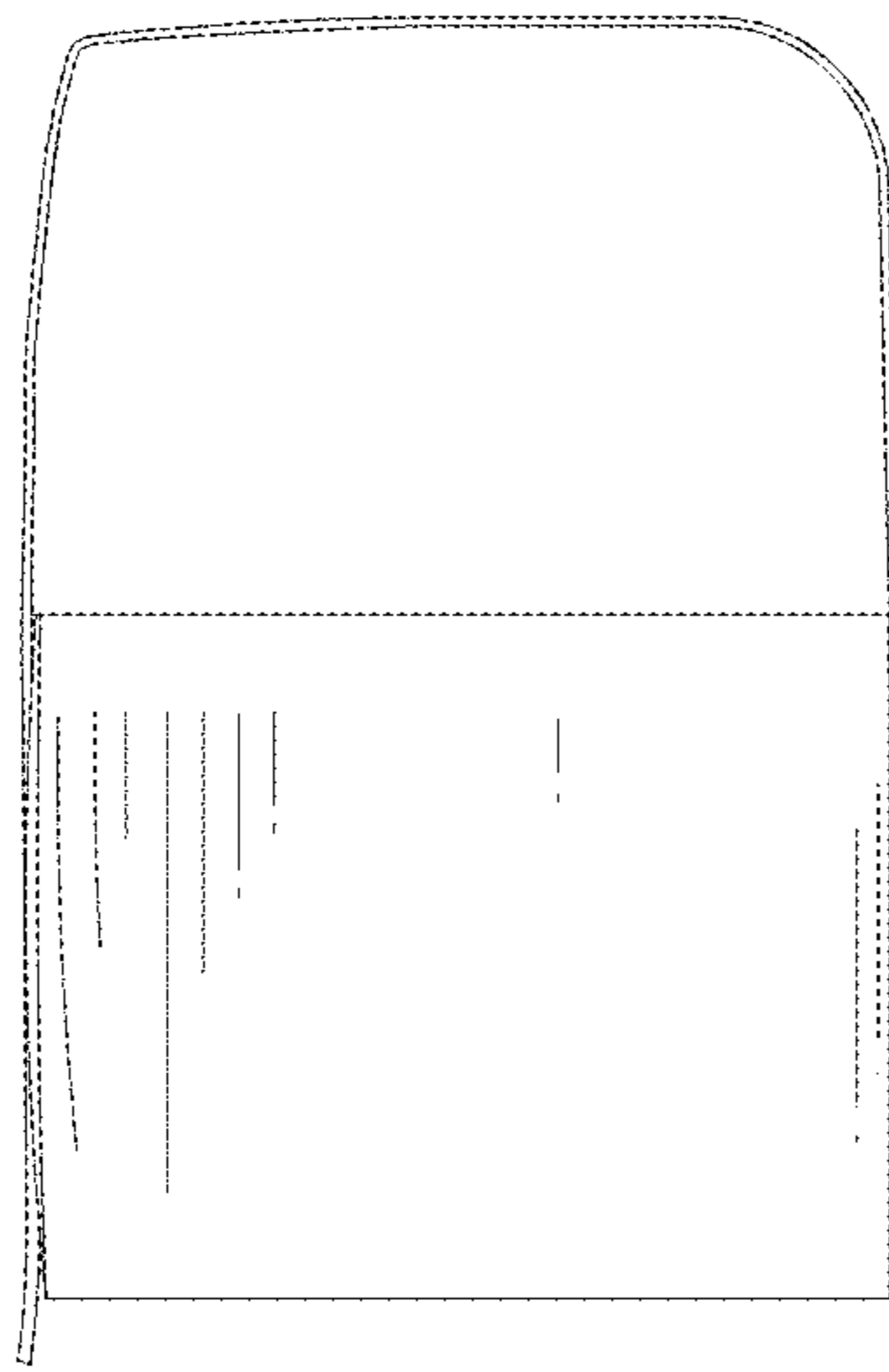


FIG. 11

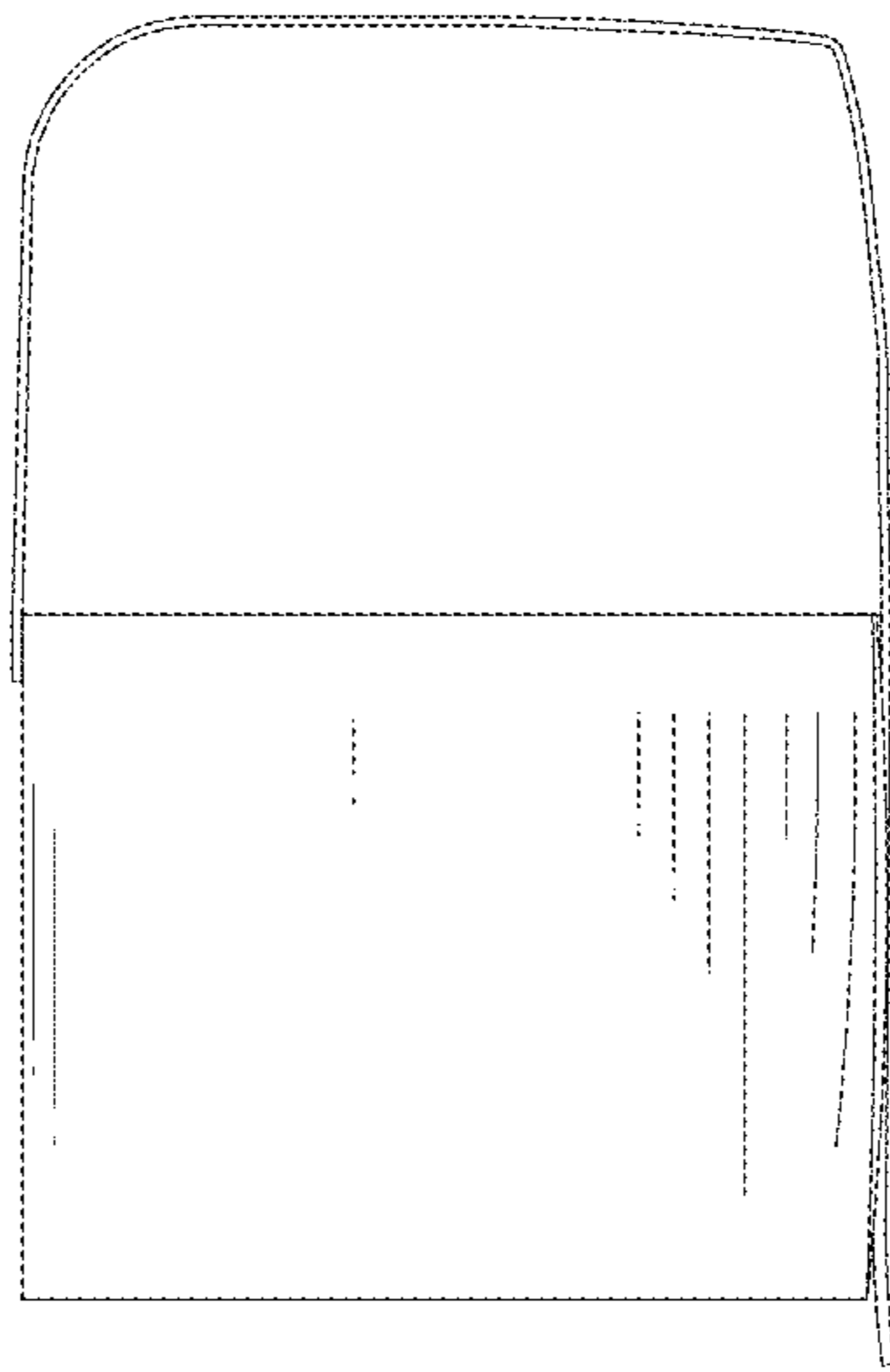


FIG. 12

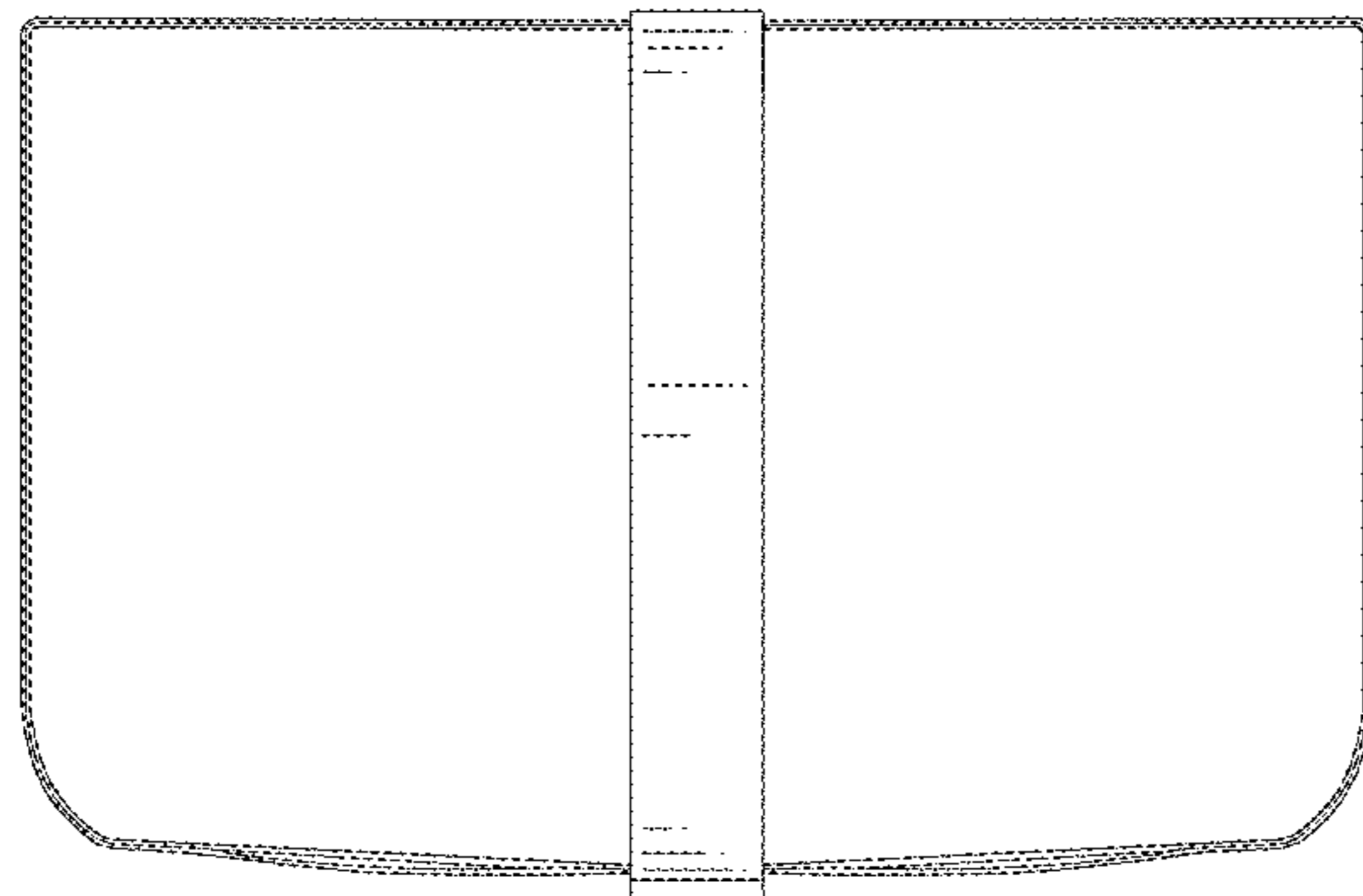


FIG. 13

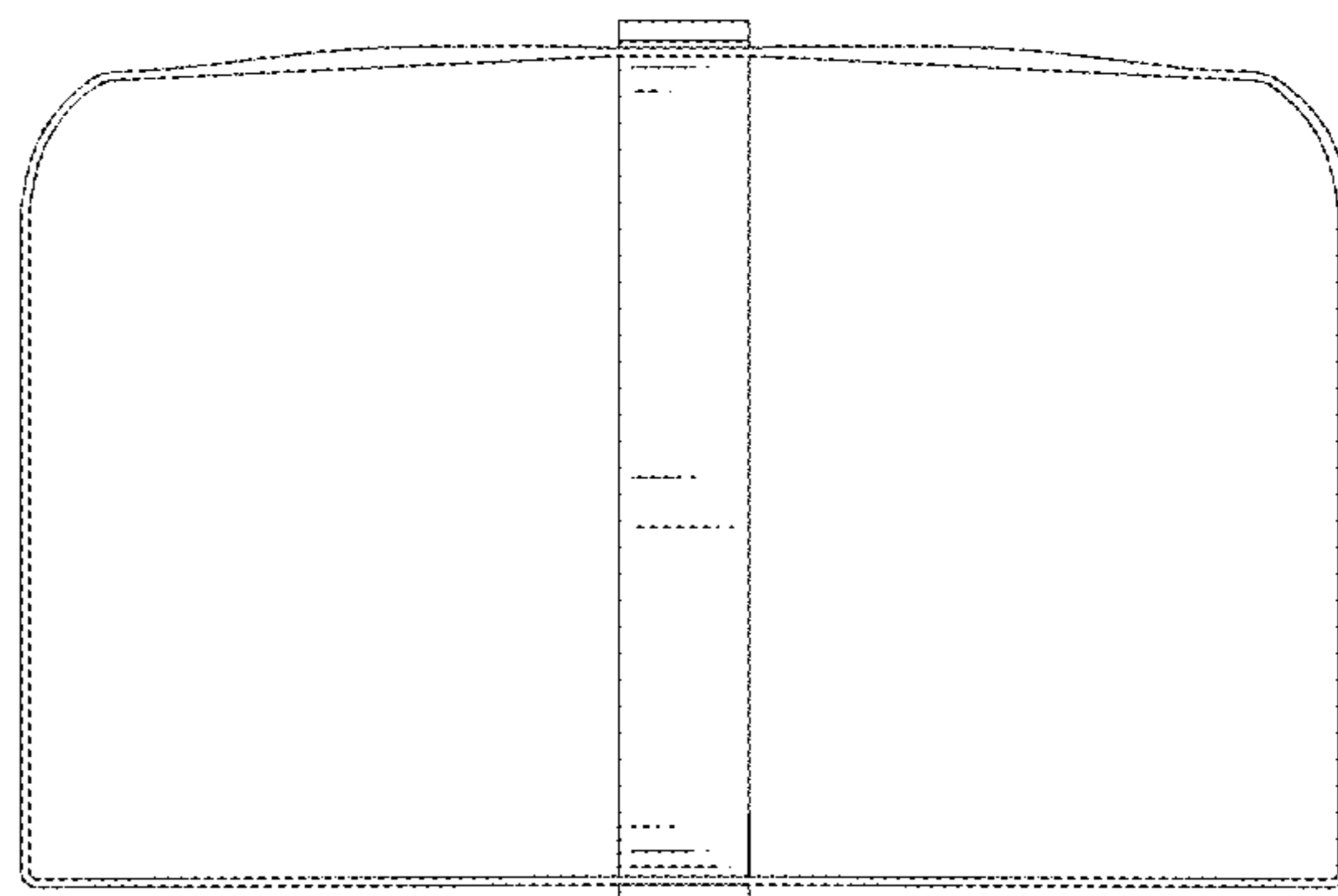


FIG. 14

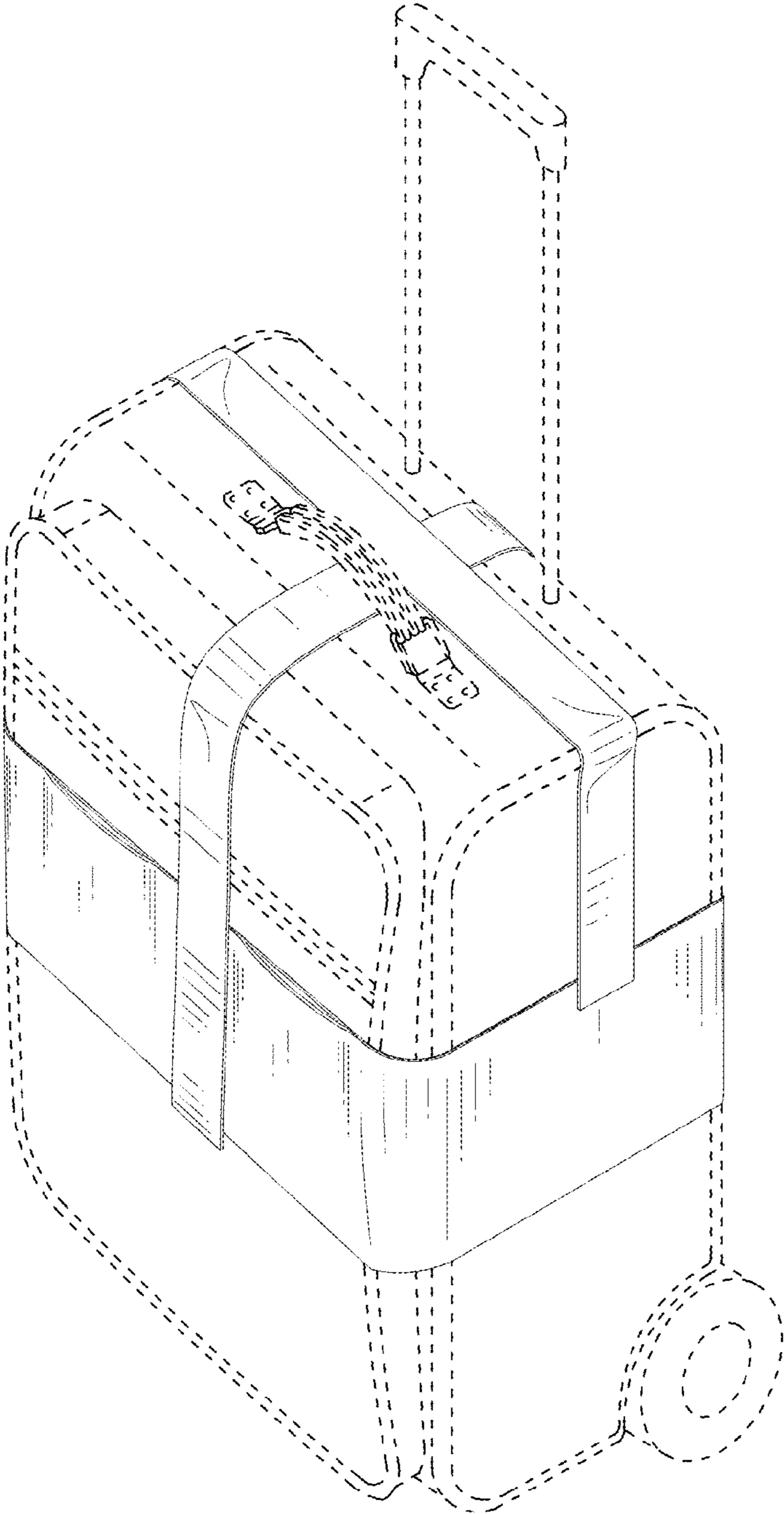


FIG. 15

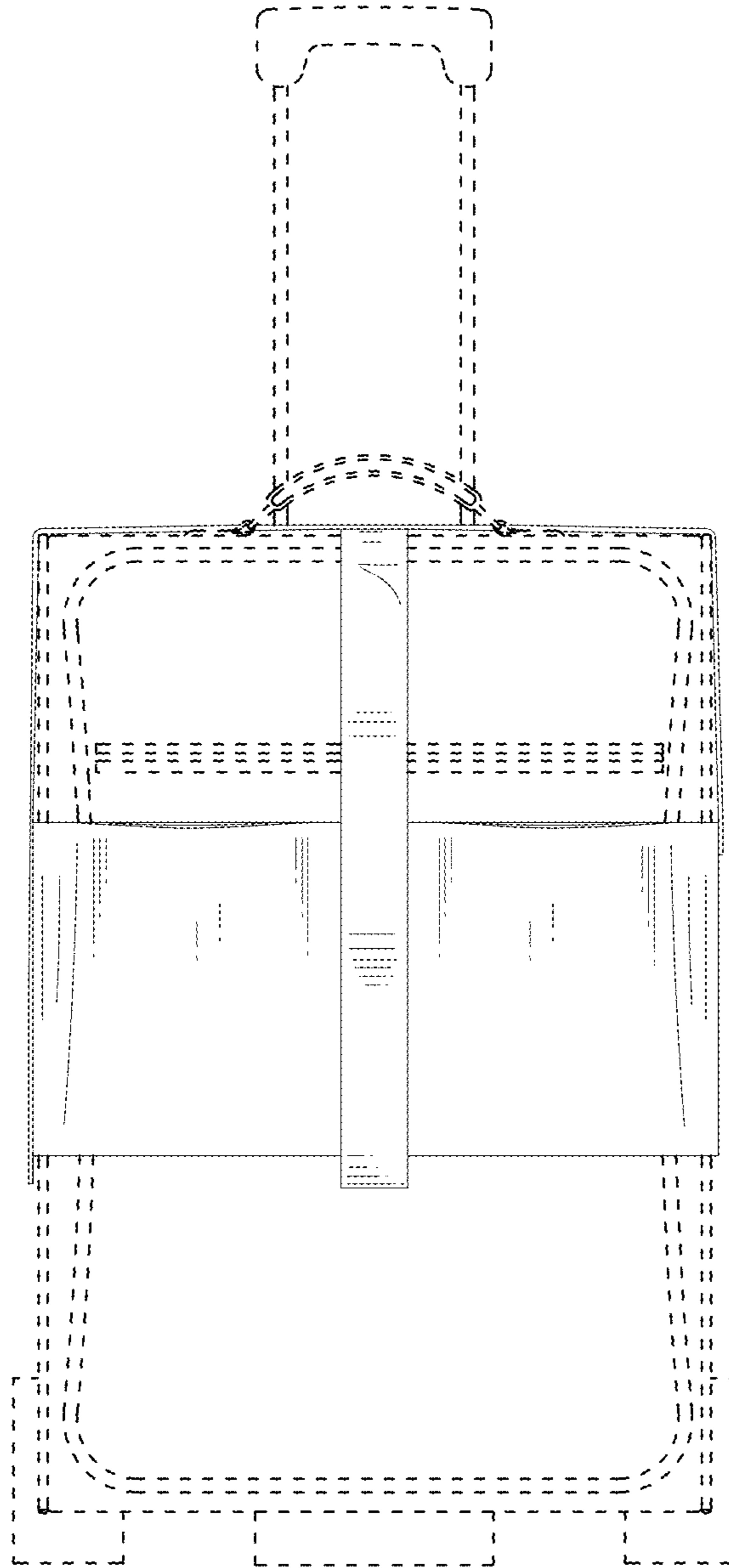


FIG. 16

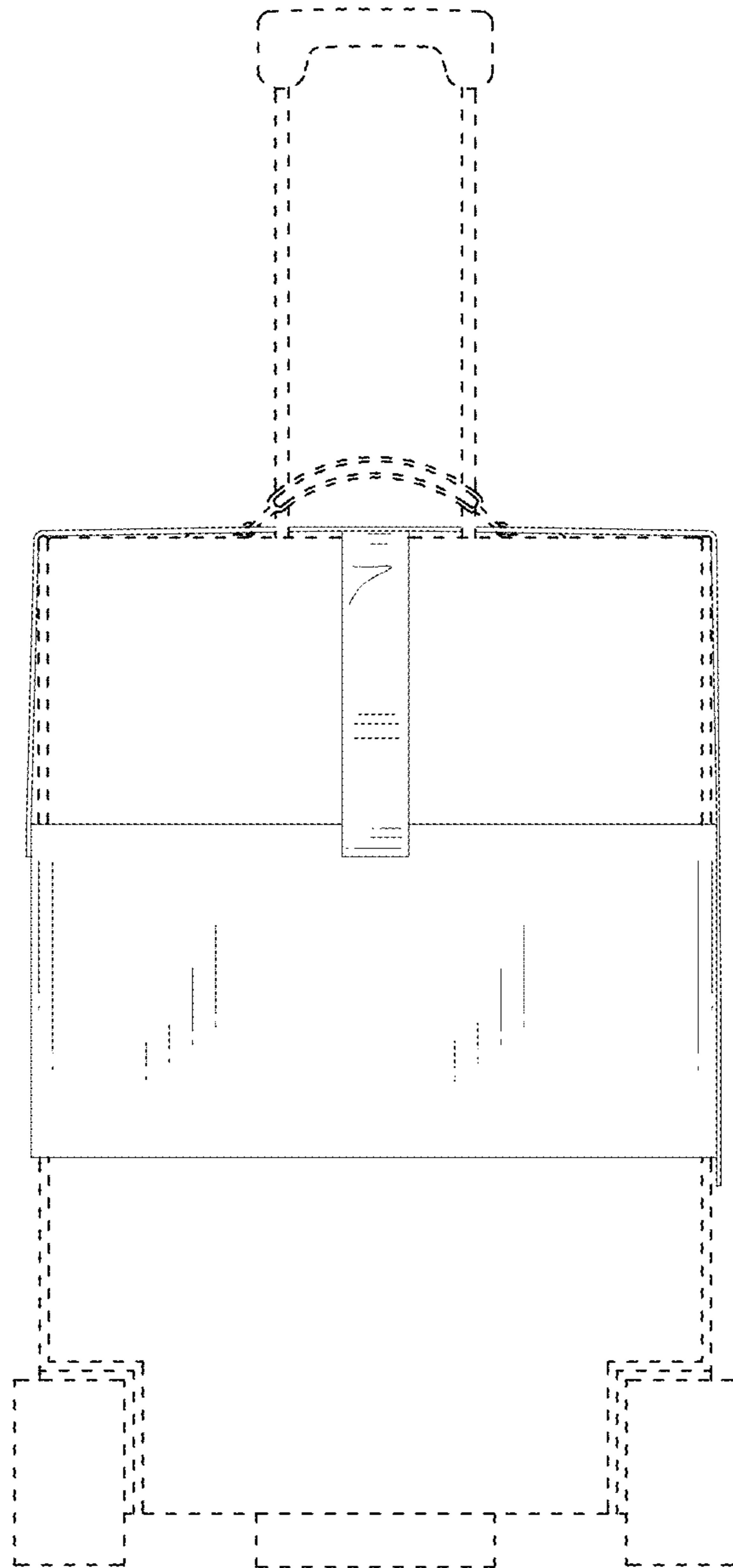


FIG. 17

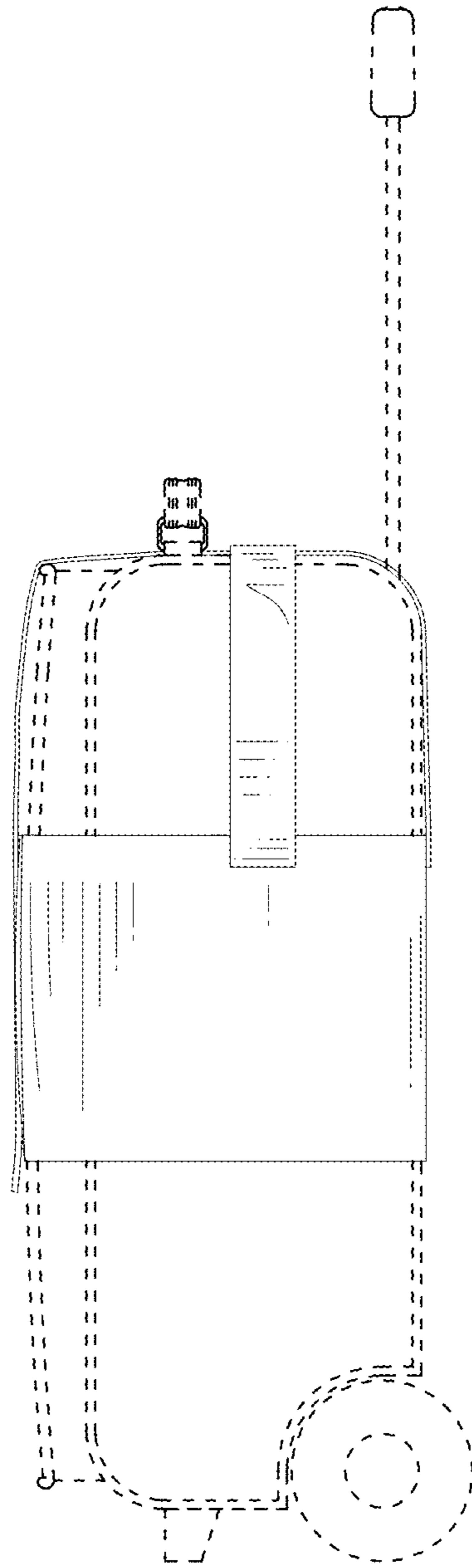


FIG. 18

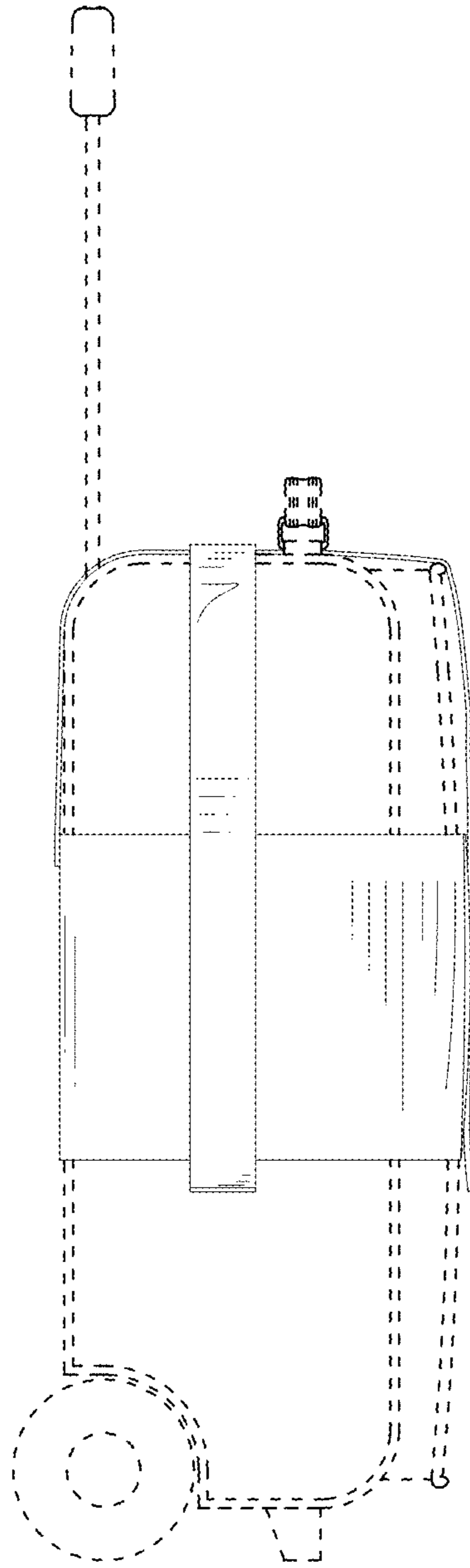


FIG. 19

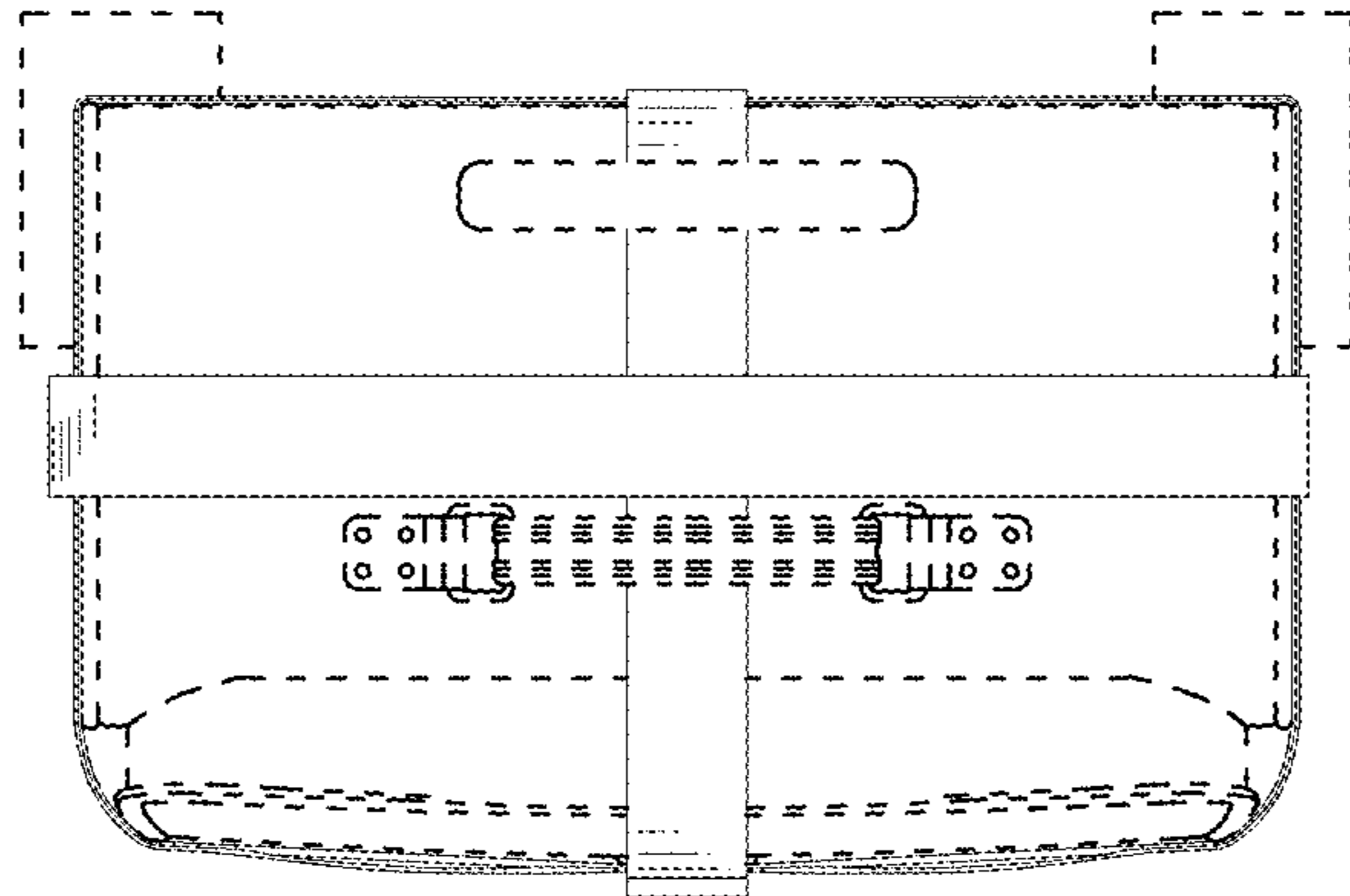


FIG. 20

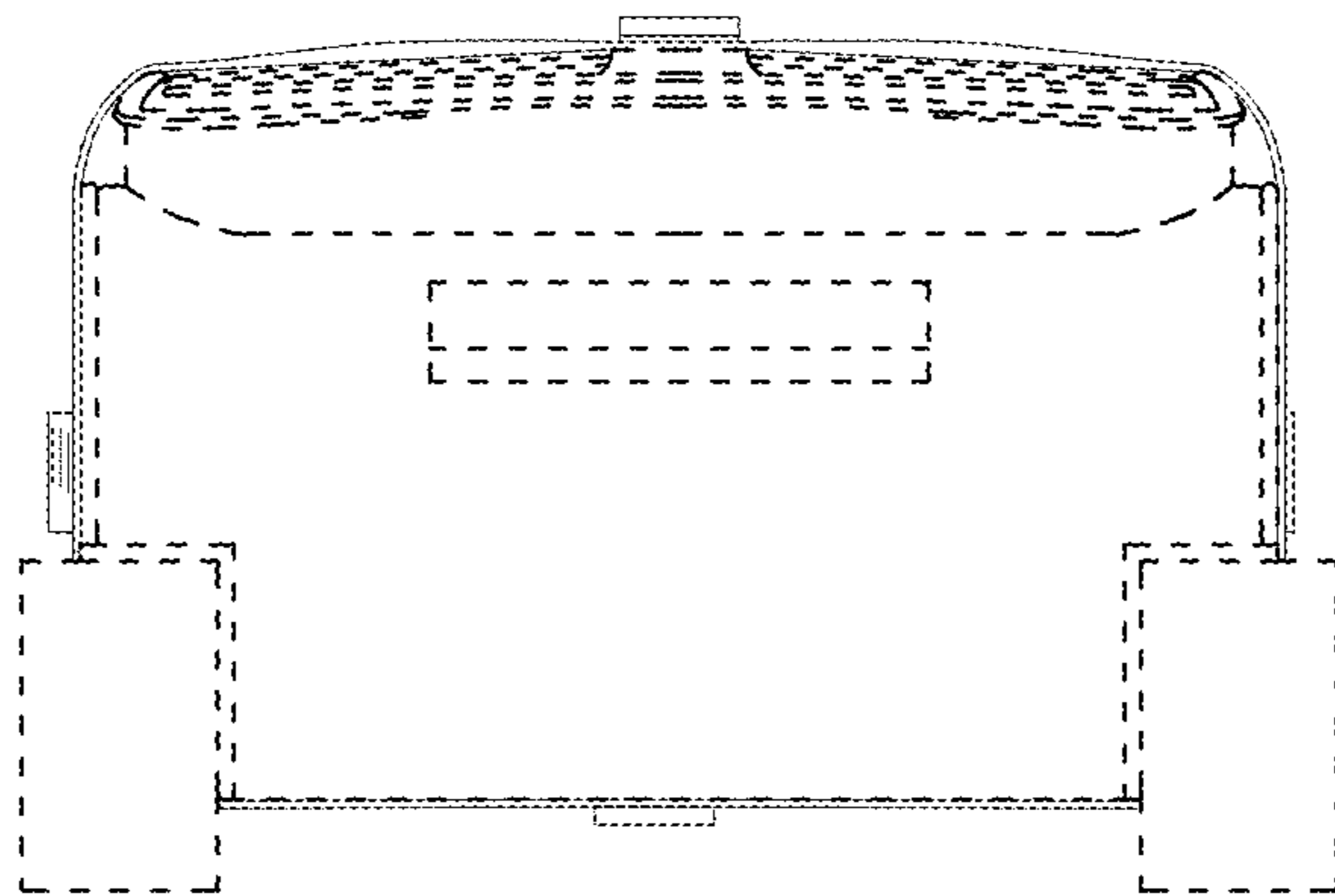


FIG. 21

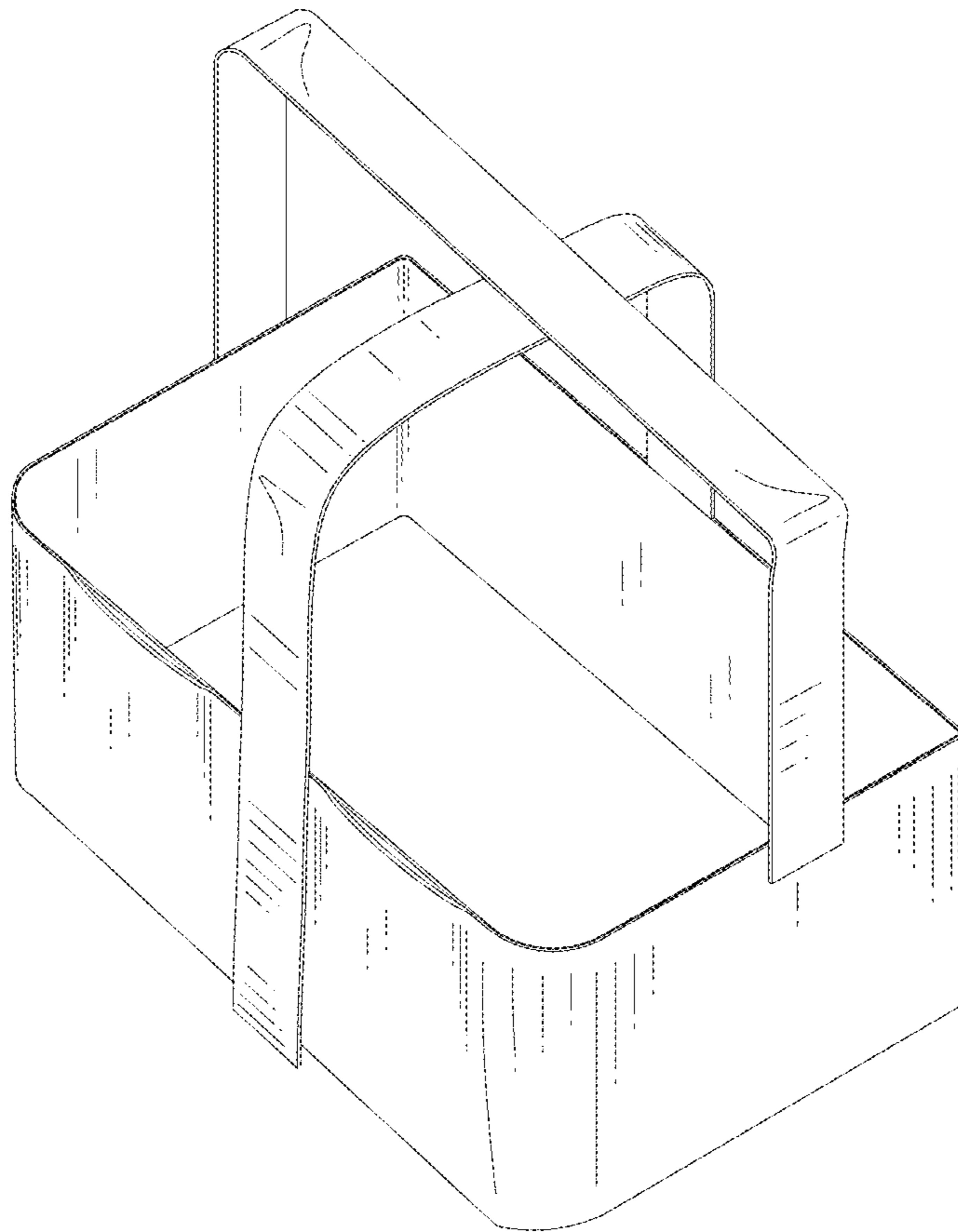


FIG. 22

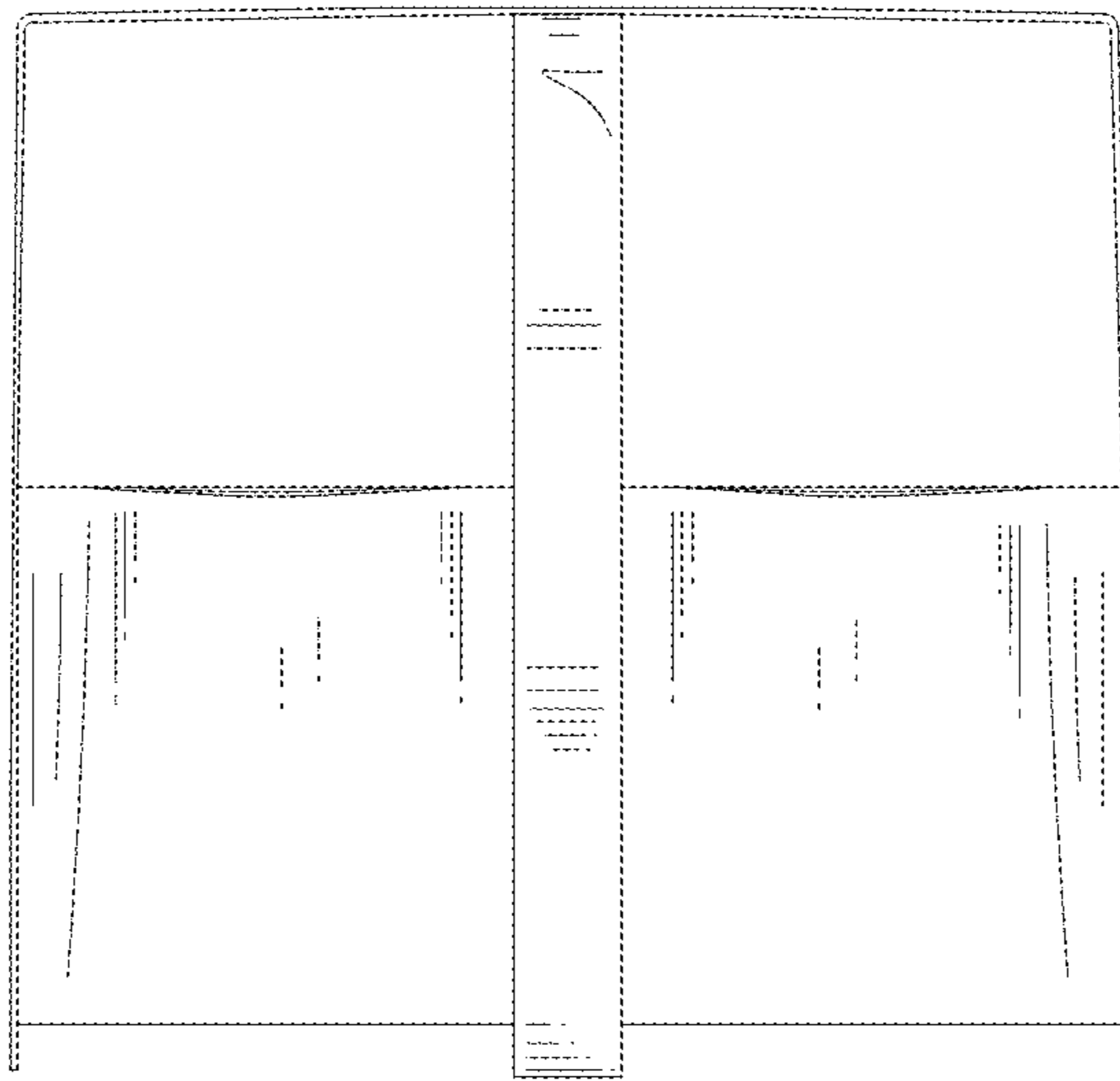


FIG. 23

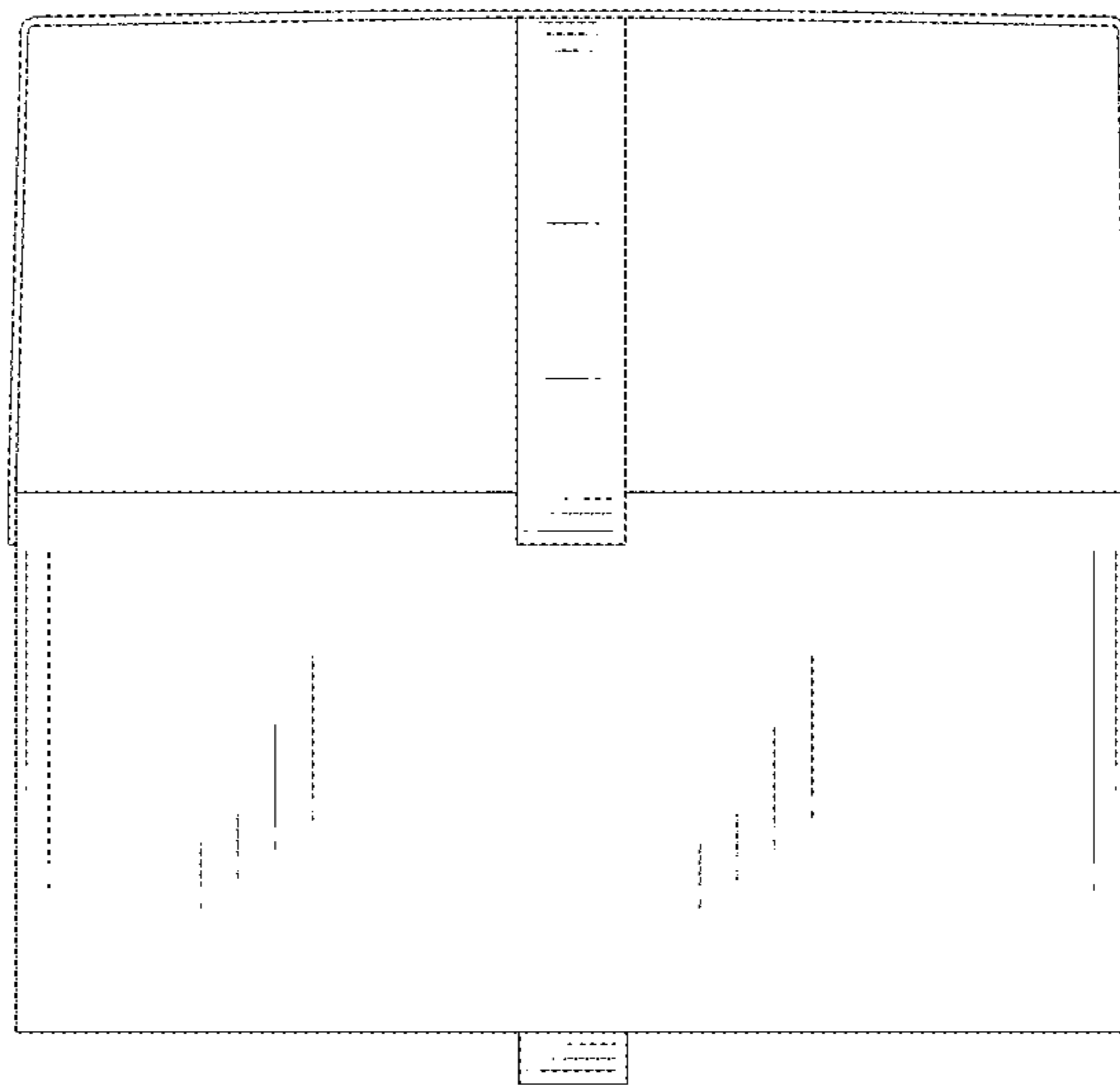


FIG. 24

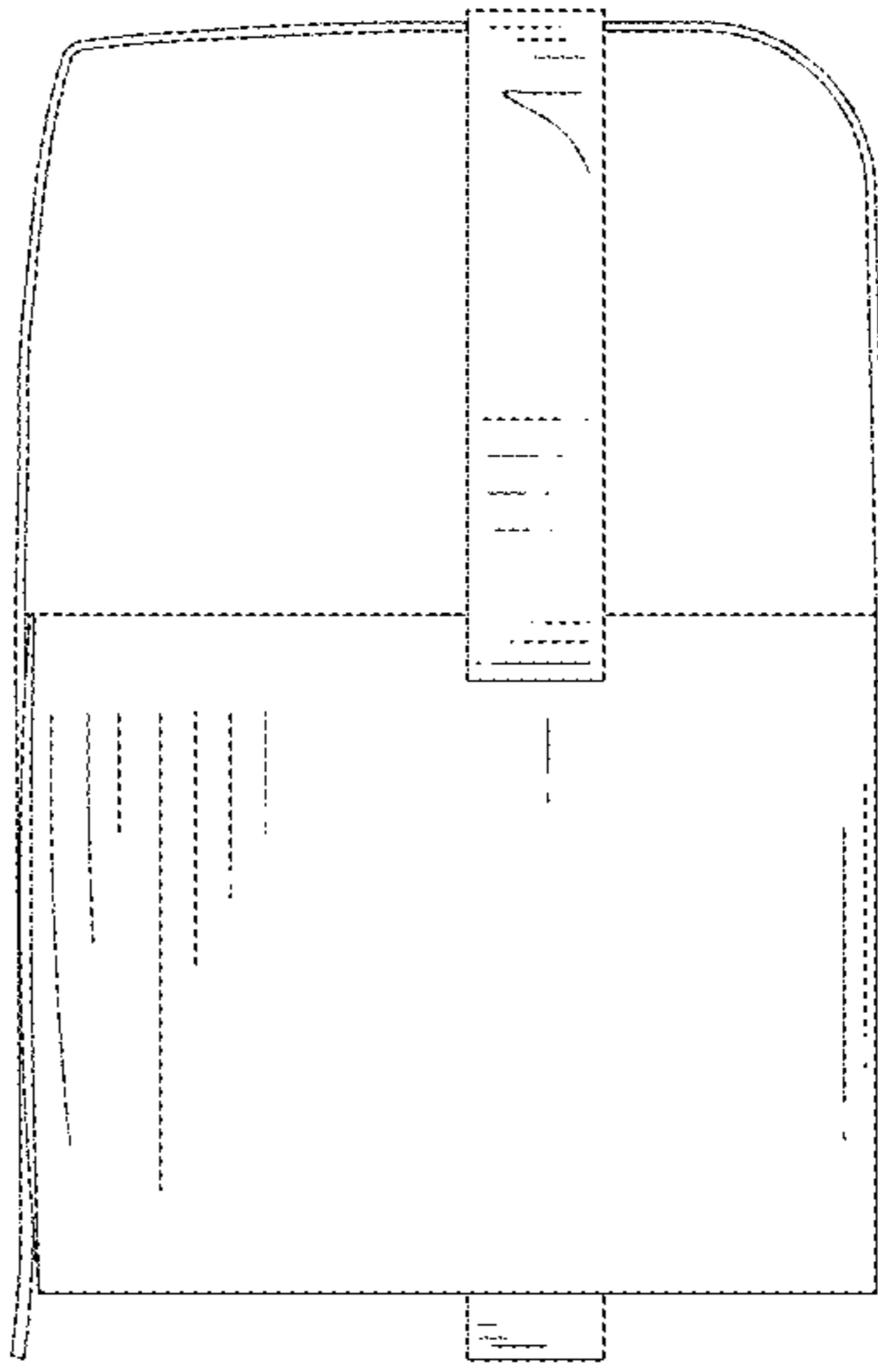


FIG. 25

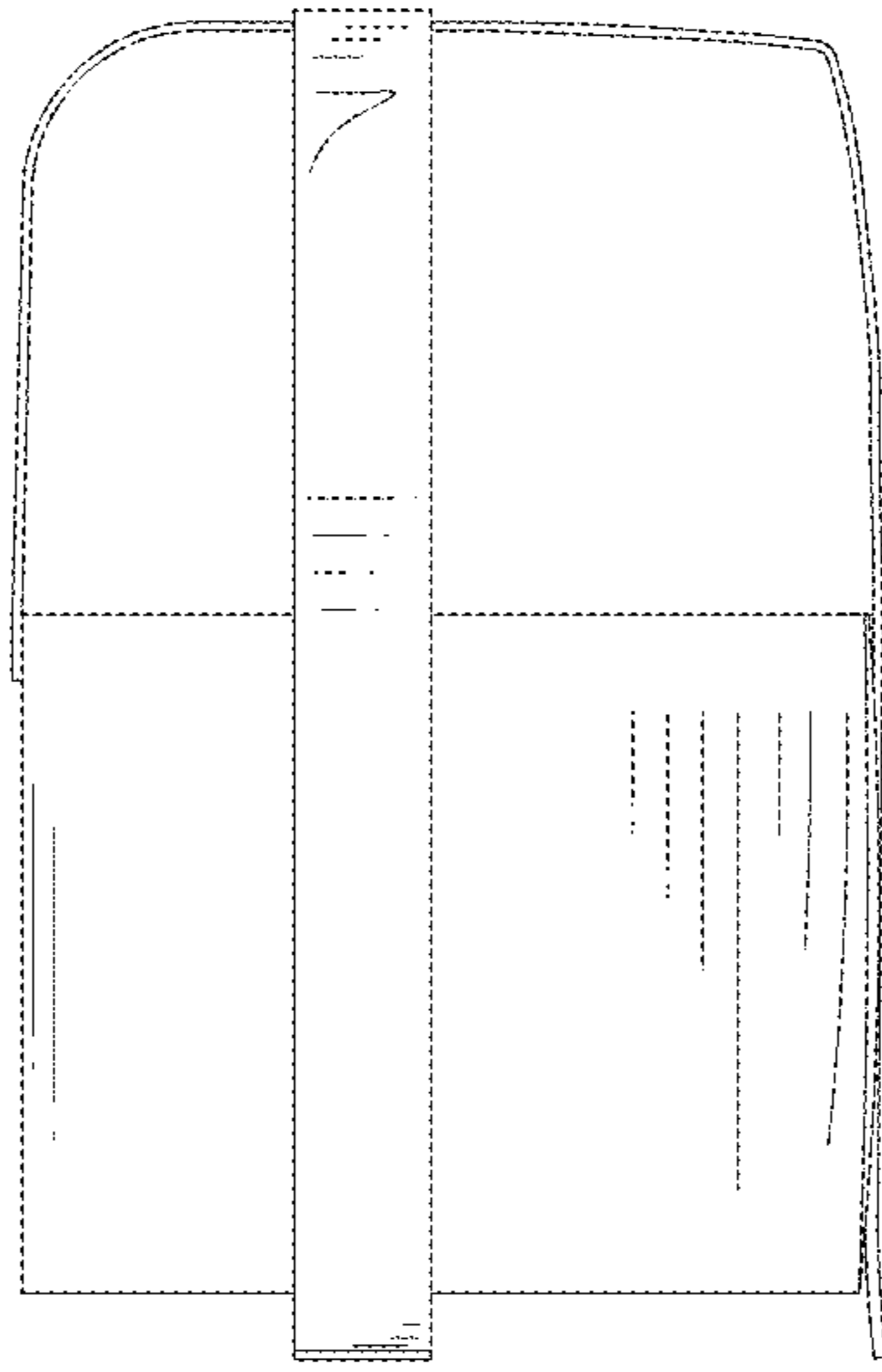


FIG. 26

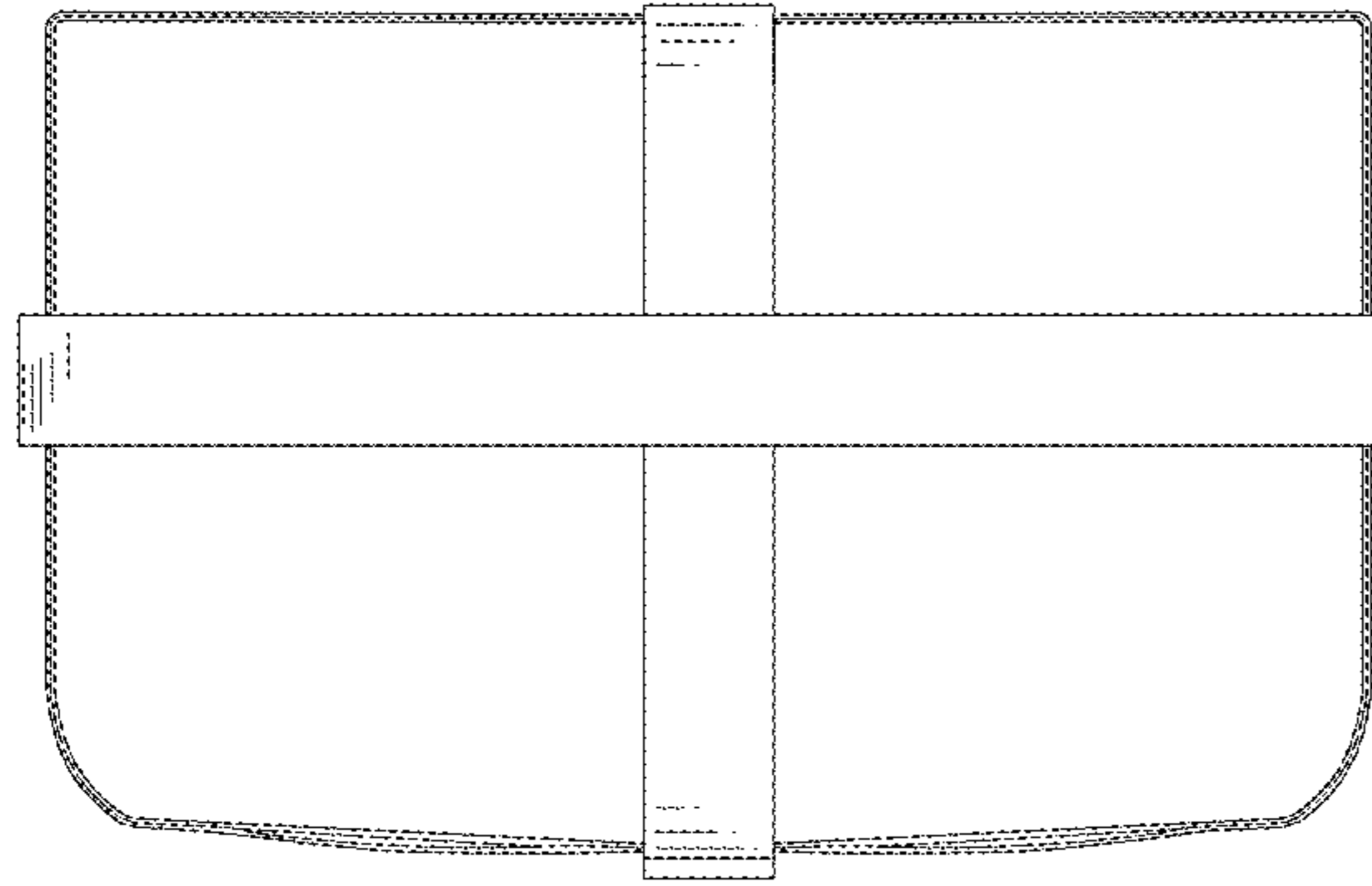


FIG. 27

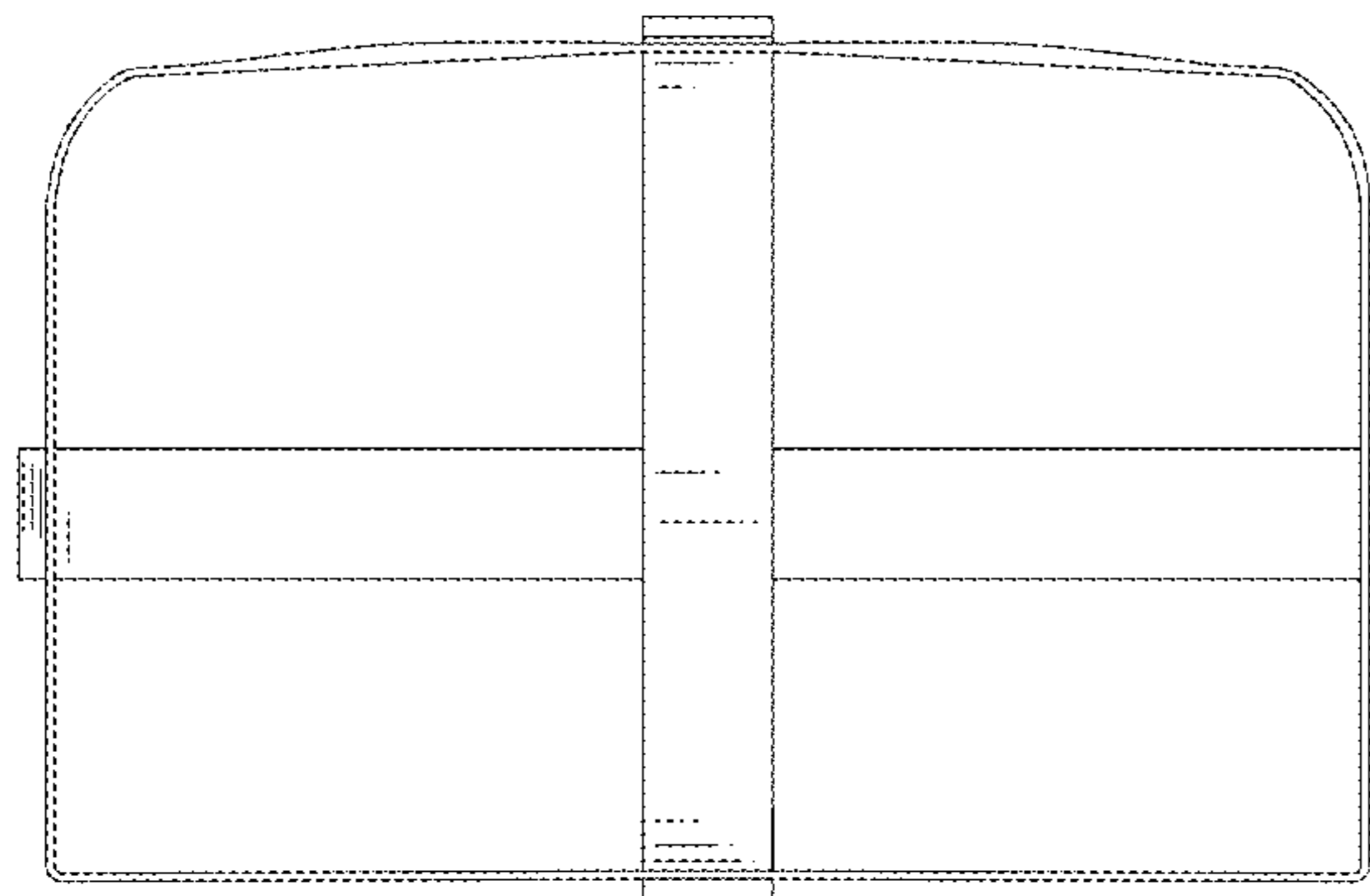


FIG. 28

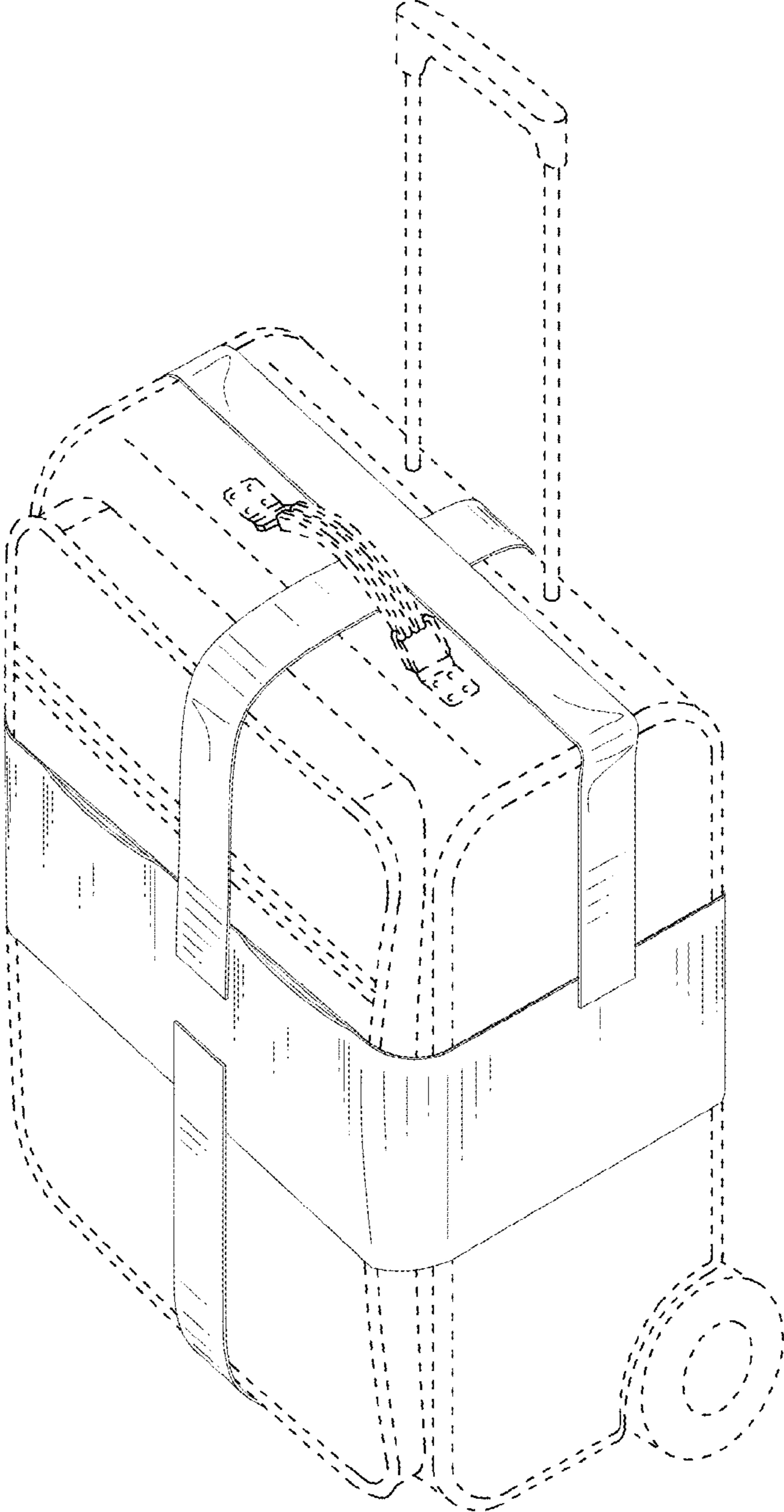


FIG. 29

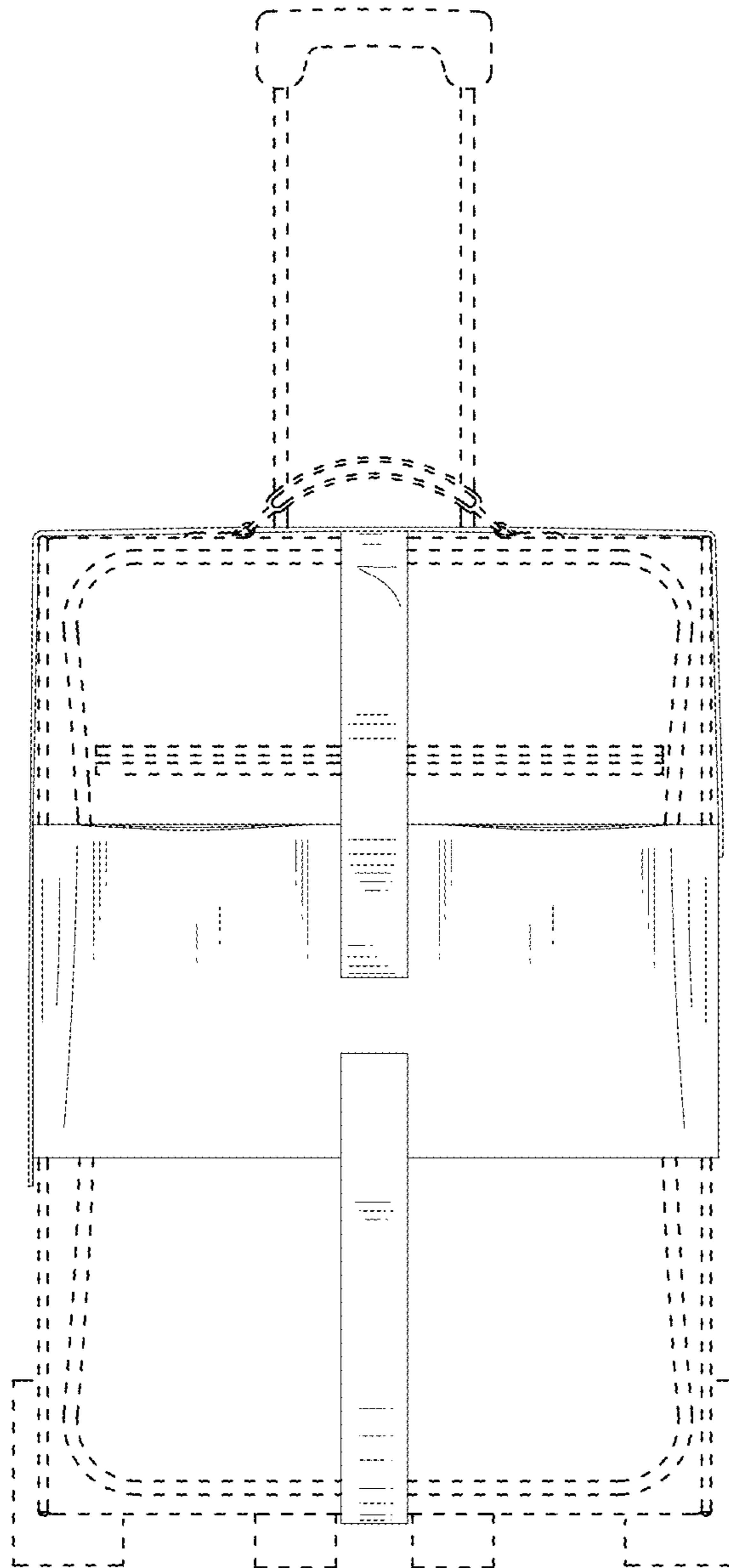


FIG. 30

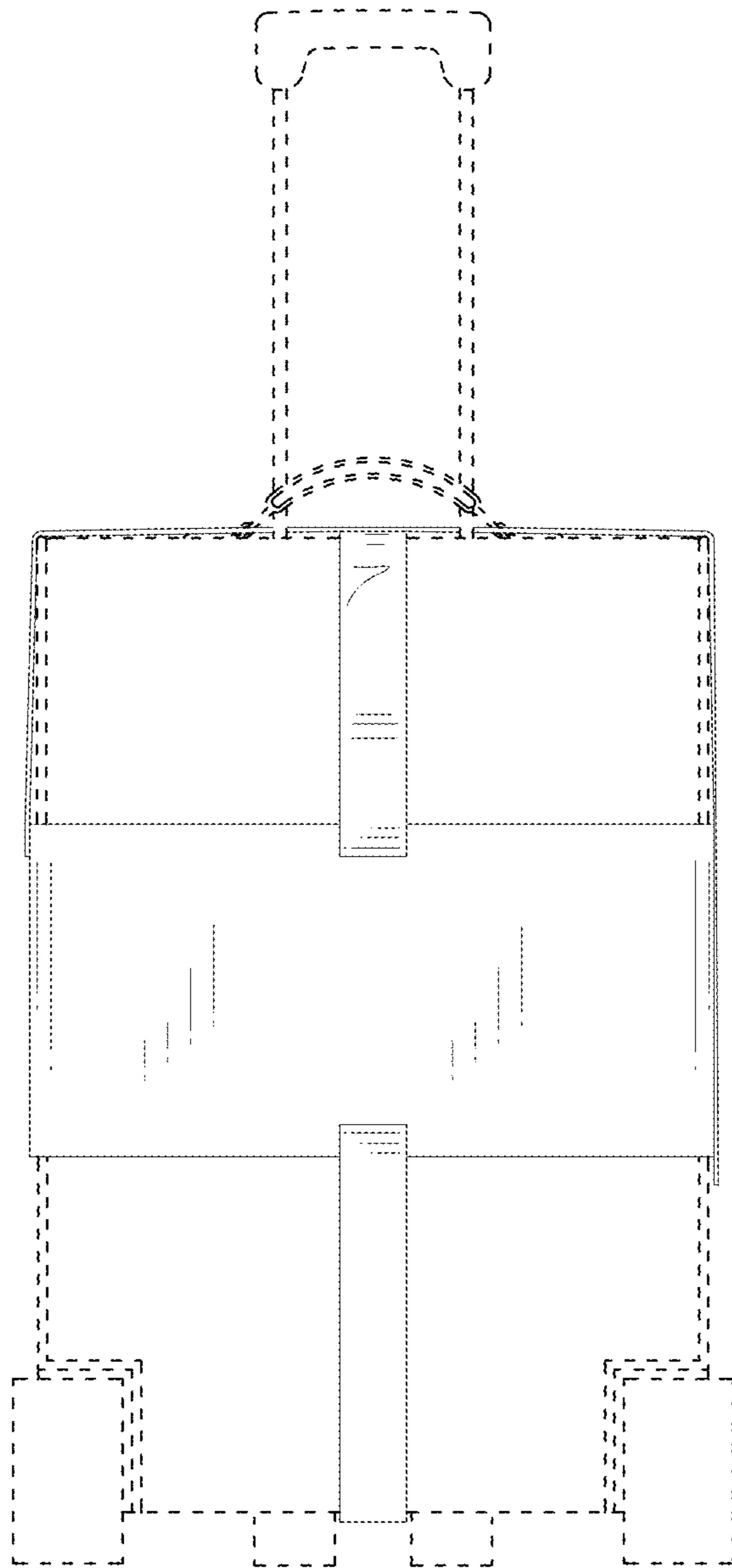


FIG. 31

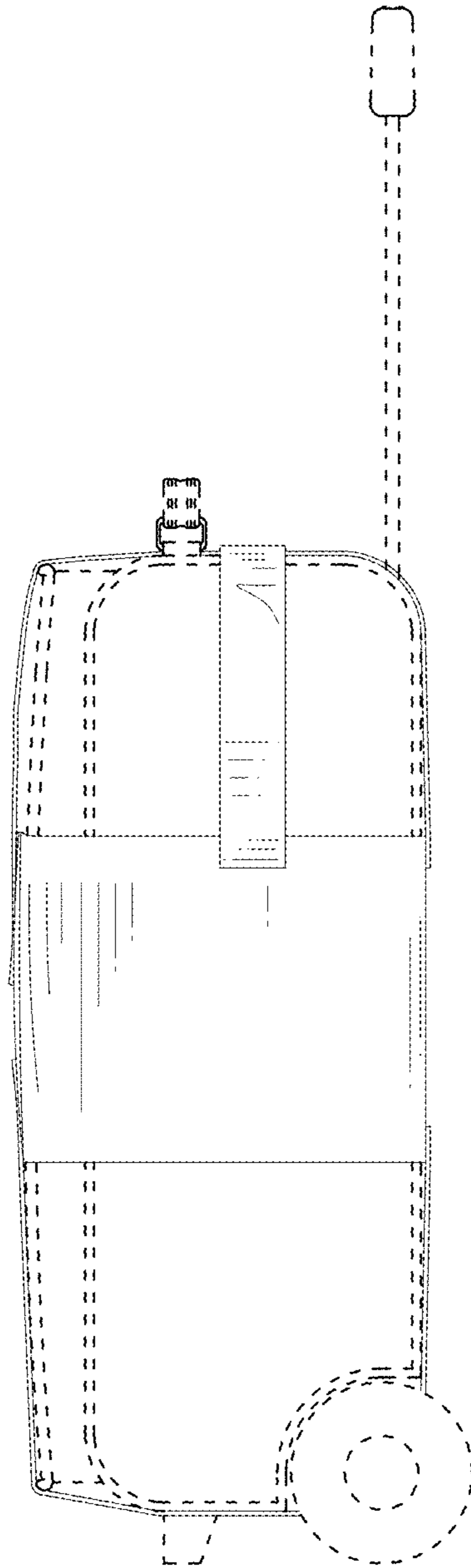


FIG. 32

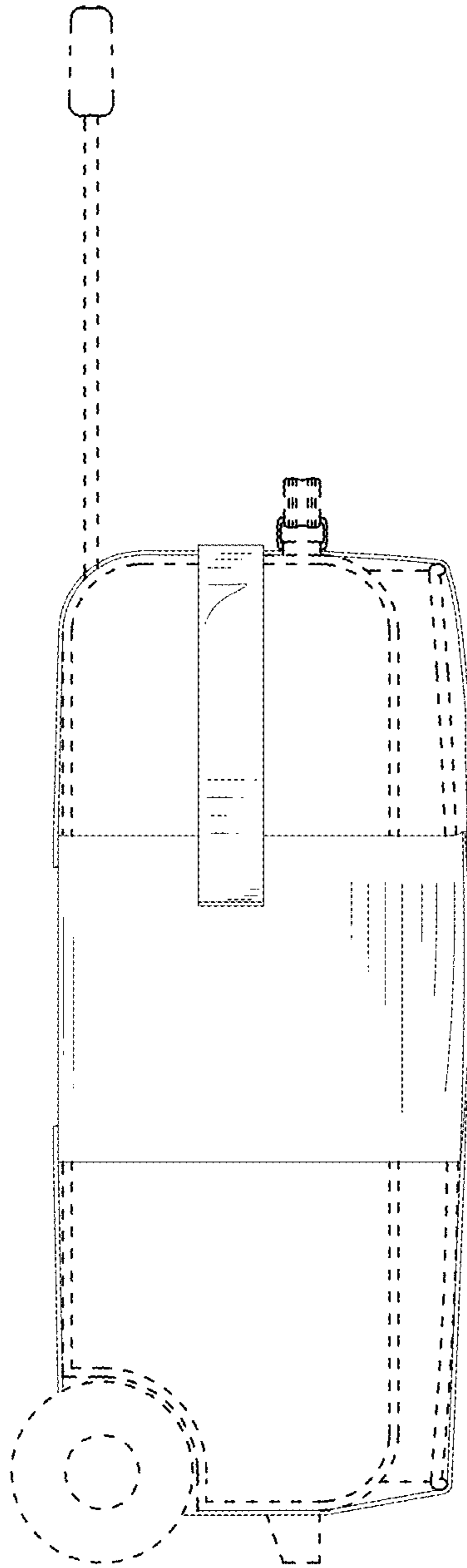


FIG. 33

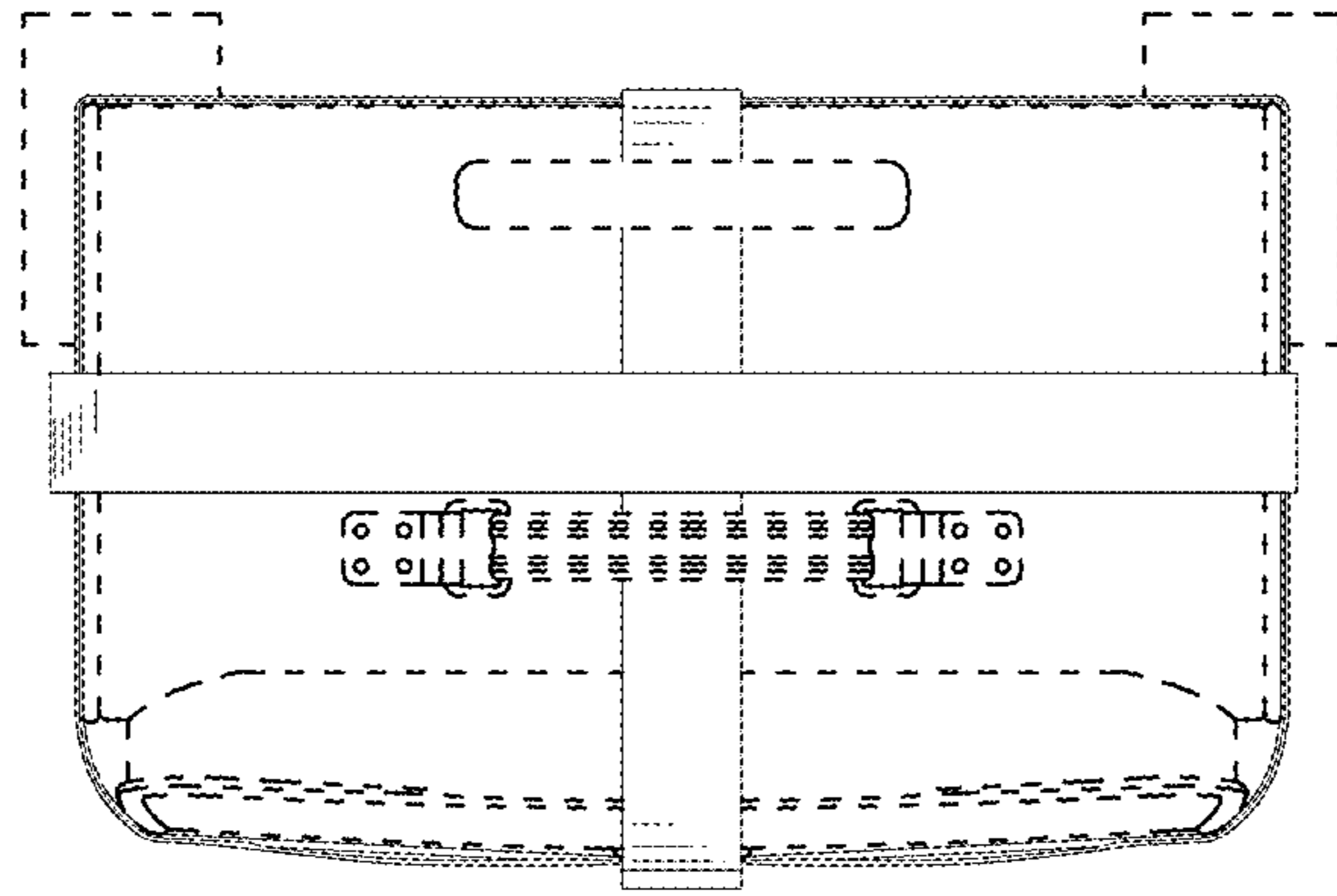


FIG. 34

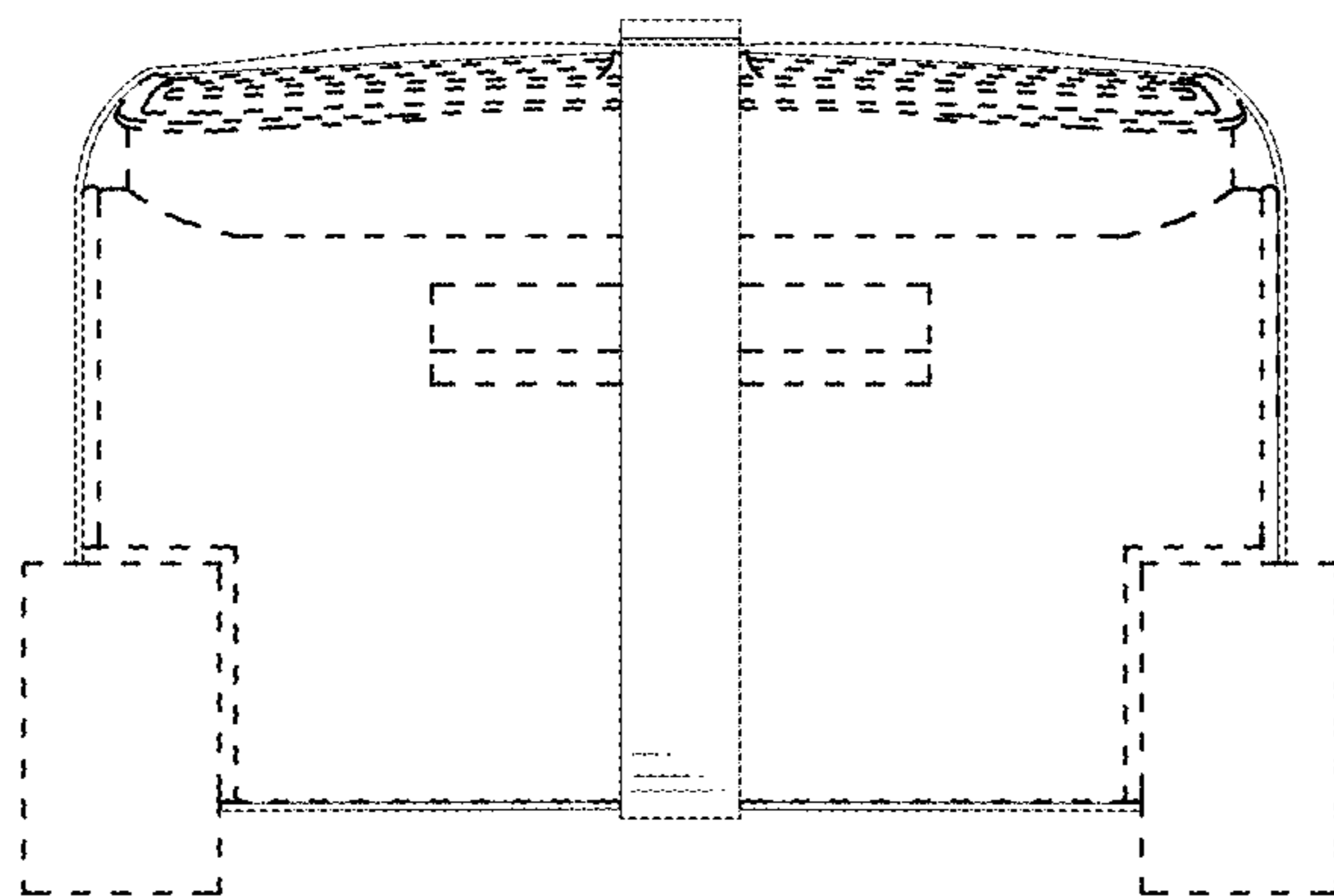


FIG. 35

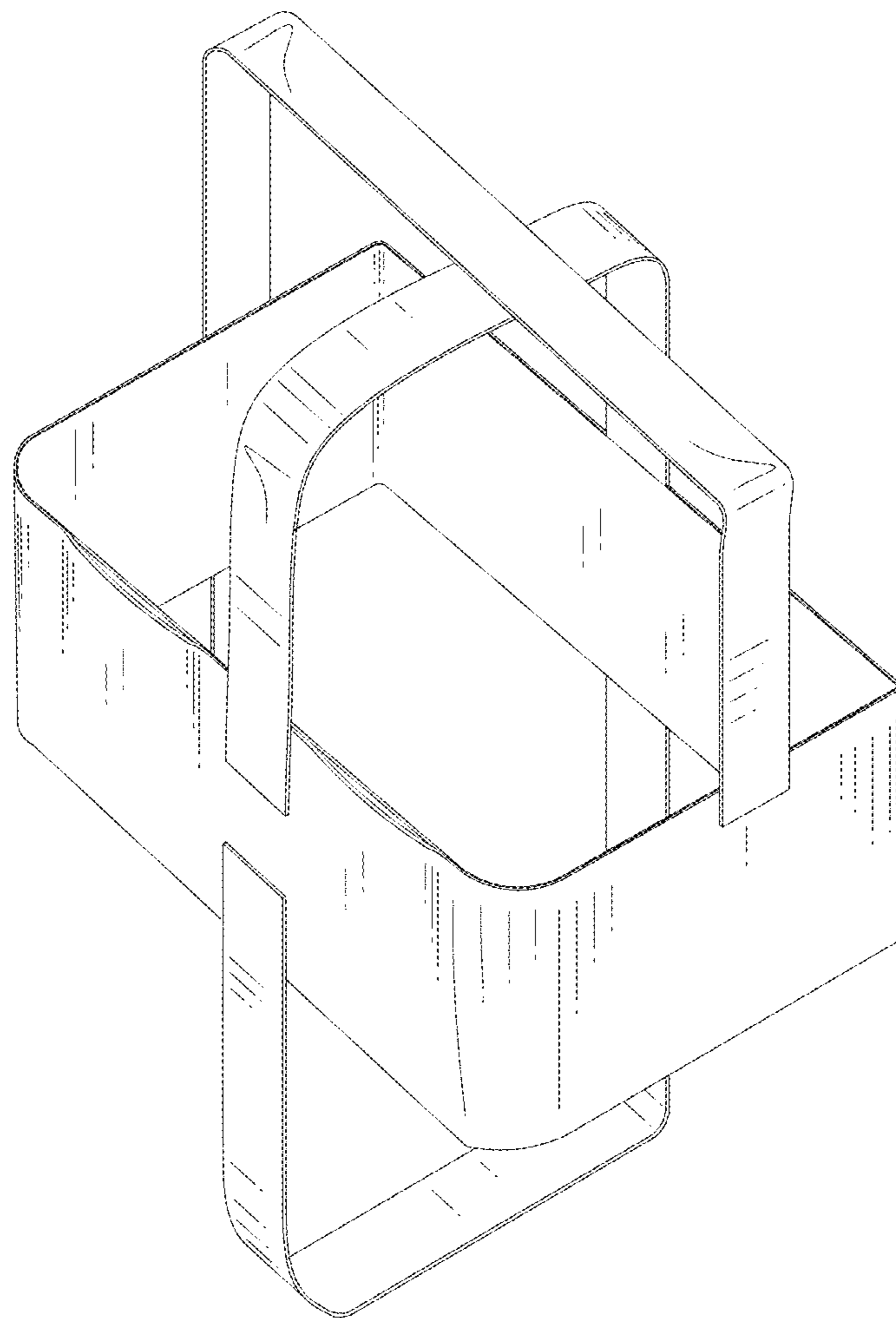


FIG. 36

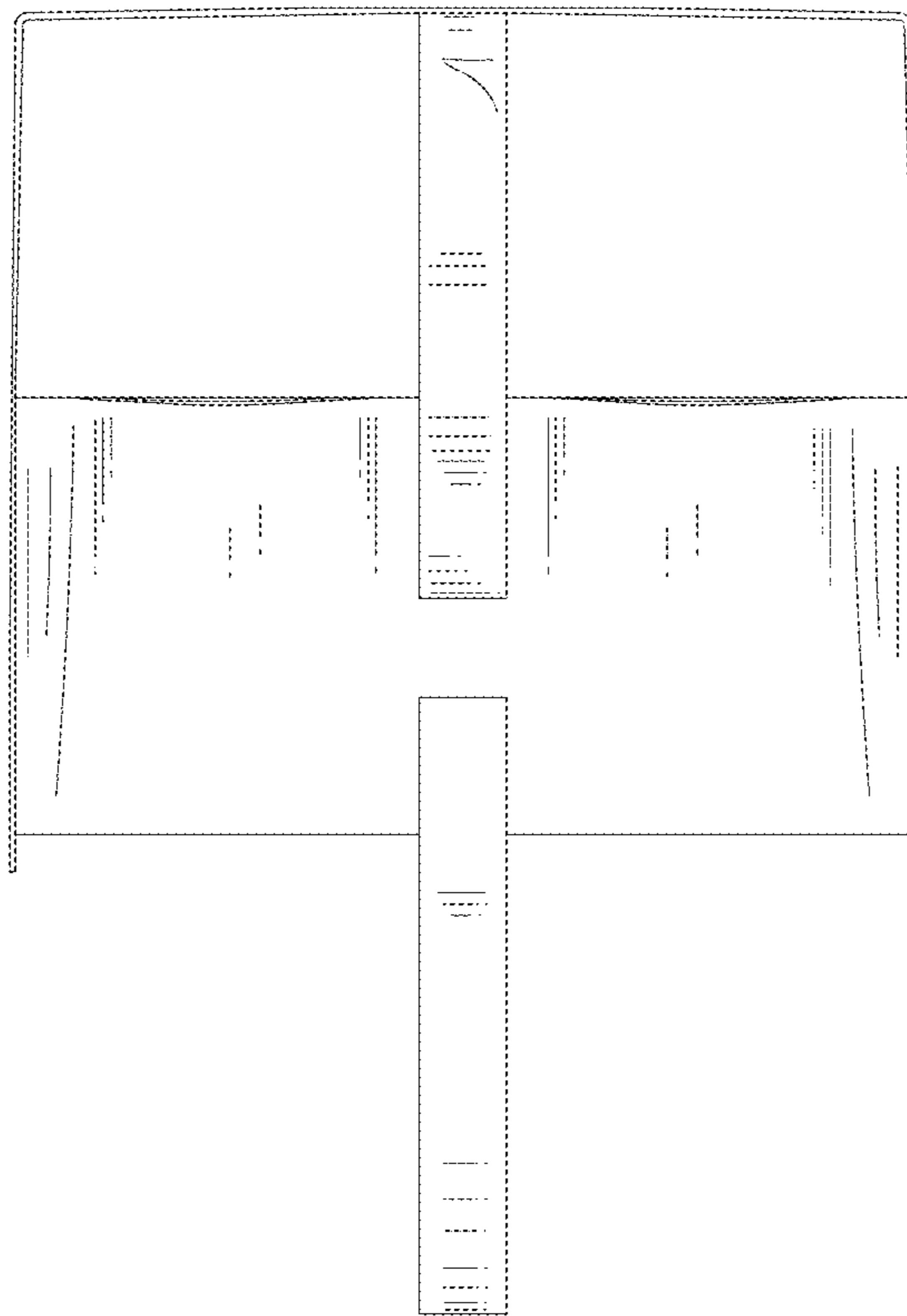


FIG. 37

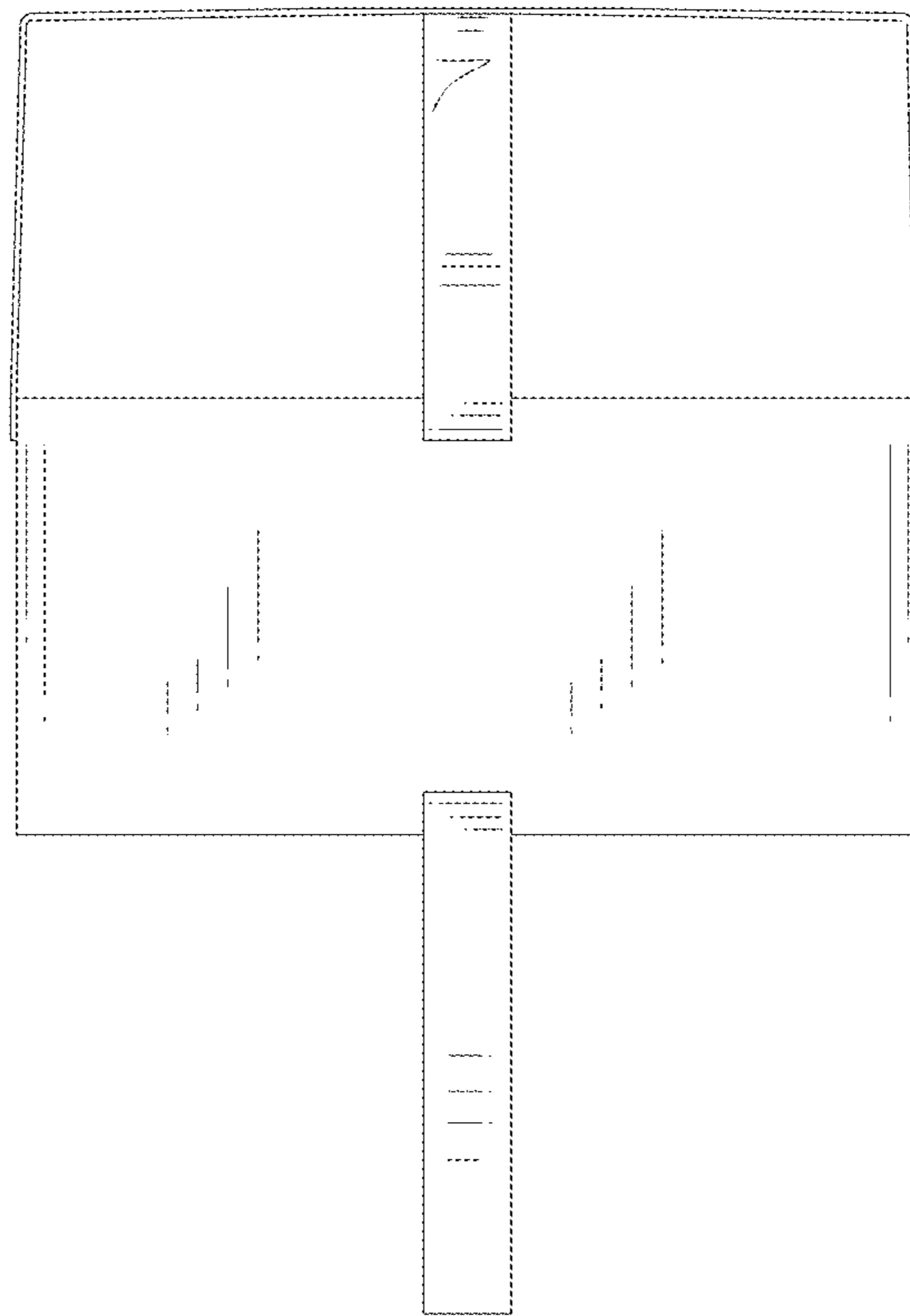


FIG. 38

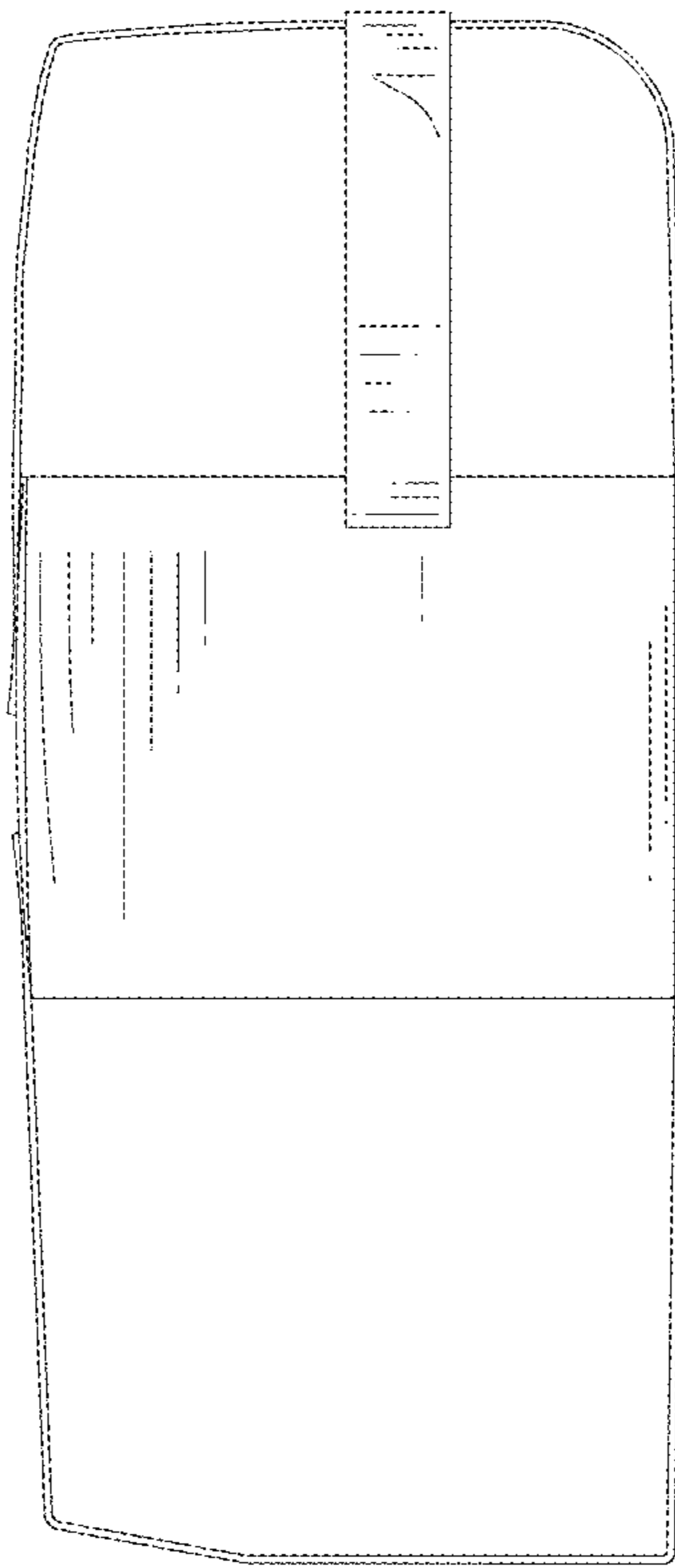


FIG. 39

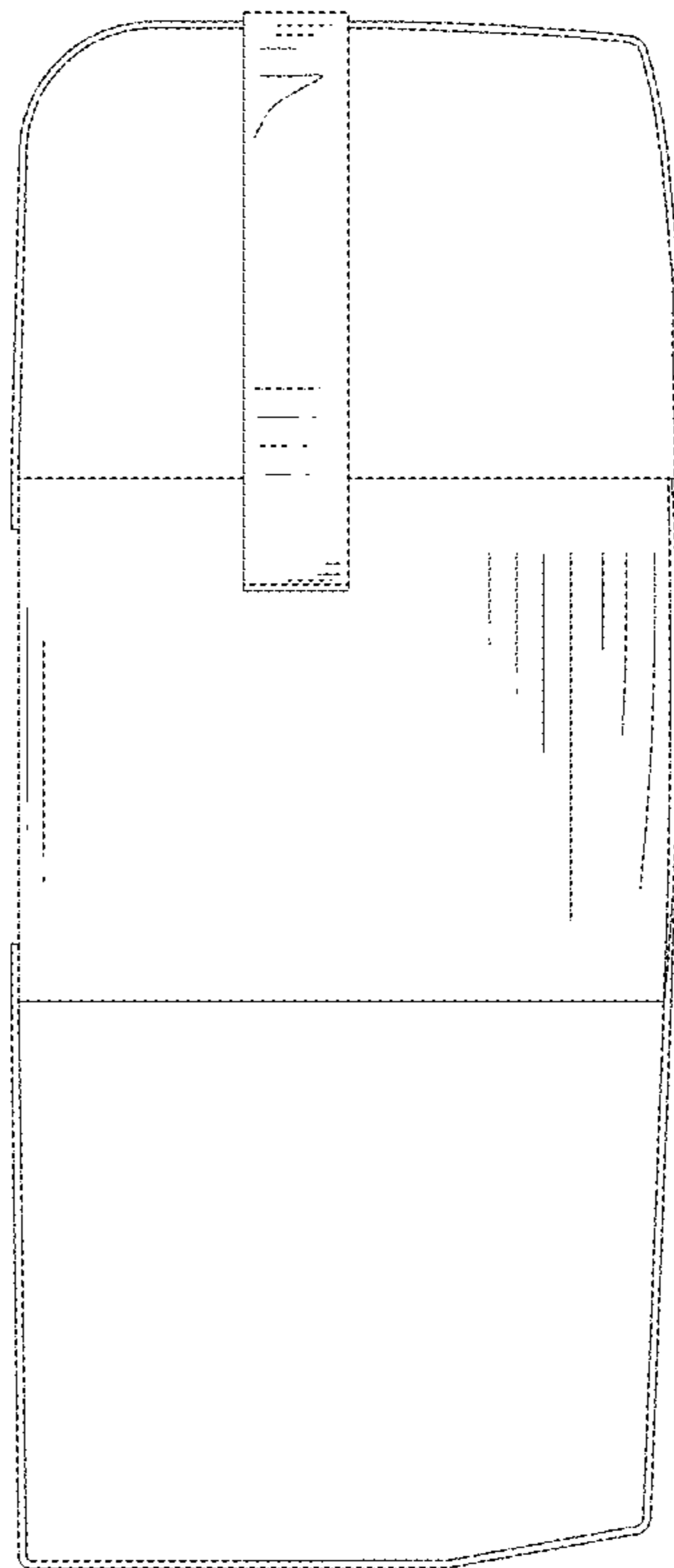


FIG. 40

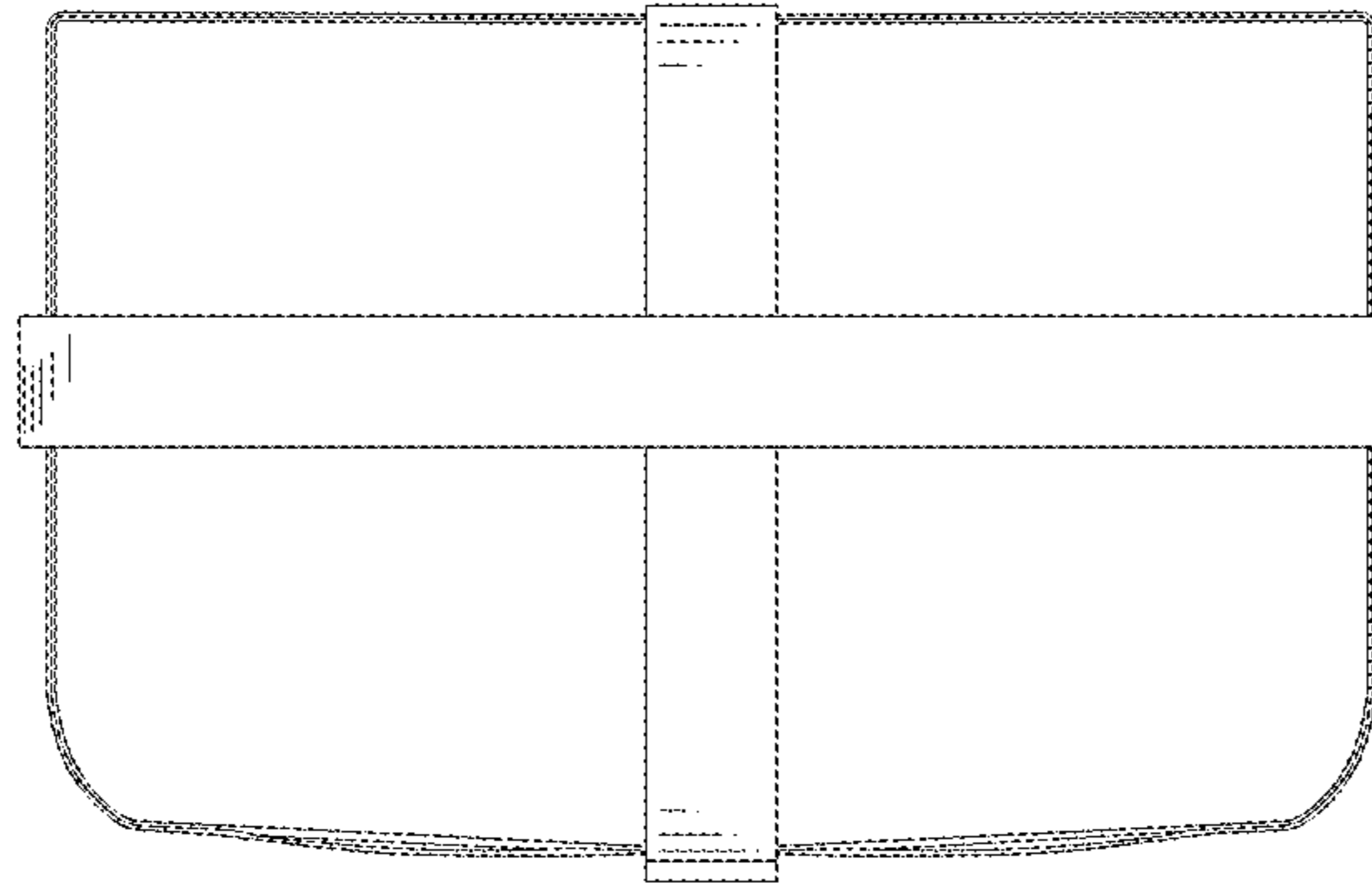


FIG. 41

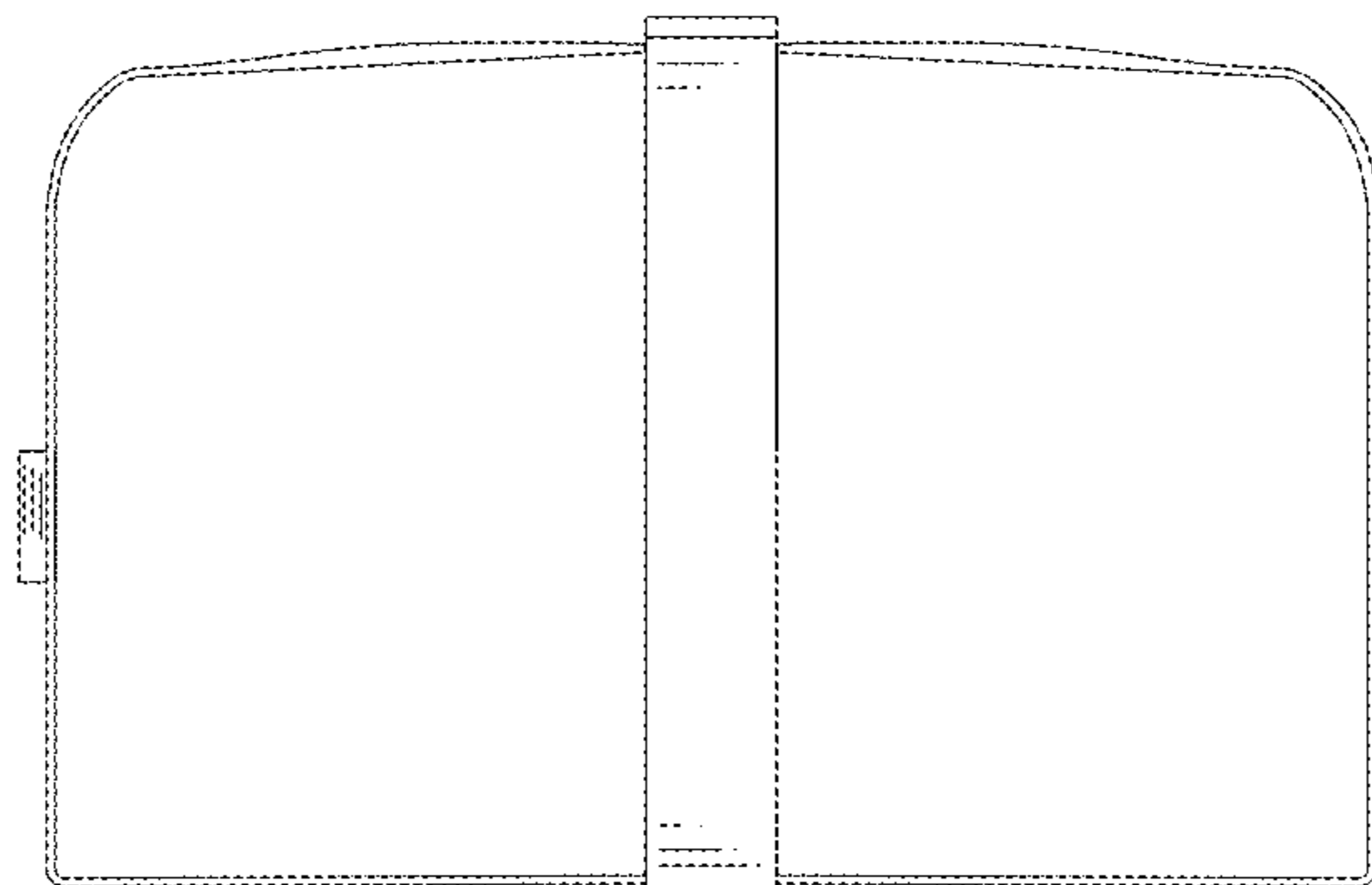


FIG. 42