



US00D765975S

(12) **United States Design Patent**
Hoofnagle et al.

(10) **Patent No.:** **US D765,975 S**
(45) **Date of Patent:** **** Sep. 13, 2016**

(54) **CARRYING CASE FOR AN OPTICAL LAUNCH FIBER ASSEMBLY**

(71) Applicant: **Fluke Corporation**, Everett, WA (US)

(72) Inventors: **Wayne S. Hoofnagle**, Kirkland, WA (US); **William H. Burke**, Shoreline, WA (US)

(73) Assignee: **Fluke Corporation**, Everett, WA (US)

(**) Term: **14 Years**

(21) Appl. No.: **29/519,042**

(22) Filed: **Mar. 2, 2015**

(51) **LOC (10) Cl.** **03-01**

(52) **U.S. Cl.**

USPC **D3/301; D3/215; D3/905**

(58) **Field of Classification Search**

USPC **D3/218, 270, 201, 273, 276, 283, 284, D3/285, 287, 289, 301, 902, 318, 321, 323, D3/203.1, 215, 905; D6/407**

CPC **A45C 5/00; A45C 2011/002; A45C 2013/025; A45C 5/08**

See application file for complete search history.

(56) **References Cited**

U.S. PATENT DOCUMENTS

D383,620 S *	9/1997	Smith	D6/407
D432,344 S *	10/2000	Eskandry	D3/201
D435,385 S *	12/2000	Eskandry	D3/218
D484,731 S *	1/2004	Tung	D3/270
D489,529 S *	5/2004	Vish	D3/218
D511,895 S *	11/2005	Vish	D3/318
D517,364 S *	3/2006	Nieves	D6/407
D612,595 S *	3/2010	McCurdy	D3/218
D630,835 S *	1/2011	Easley	D3/203.1
D645,251 S *	9/2011	Lee	D3/301
D655,558 S *	3/2012	Koplin	D6/601

OTHER PUBLICATIONS

GovGroup Store, "Fluke Networks Reference Test Cord . . . ", Accessed May 31, 2016. (<http://www.govgroup.com/fluke-networks-nfk1-1smplx-sc-reference-test-cord-62.5-2582023-prd1.htm>).*

* cited by examiner

Primary Examiner — Jennifer Rivard

Assistant Examiner — April Rivas

(74) *Attorney, Agent, or Firm* — Locke Lord LLP; Scott D. Wofsy; Christopher J. Capelli

(57) **CLAIM**

The ornamental design for a carrying case for an optical launch fiber assembly, as shown and described.

DESCRIPTION

FIG. 1 is a perspective view of the carrying case in a closed condition, as viewed from the bottom of the case;

FIG. 2 is a bottom plan view of the carrying case in a closed condition;

FIG. 3 is a top plan view of the carrying case in a closed condition;

FIG. 4 is a right side elevational view of the carrying case in a closed condition;

FIG. 5 is a left side elevational view of the carrying case in a closed condition;

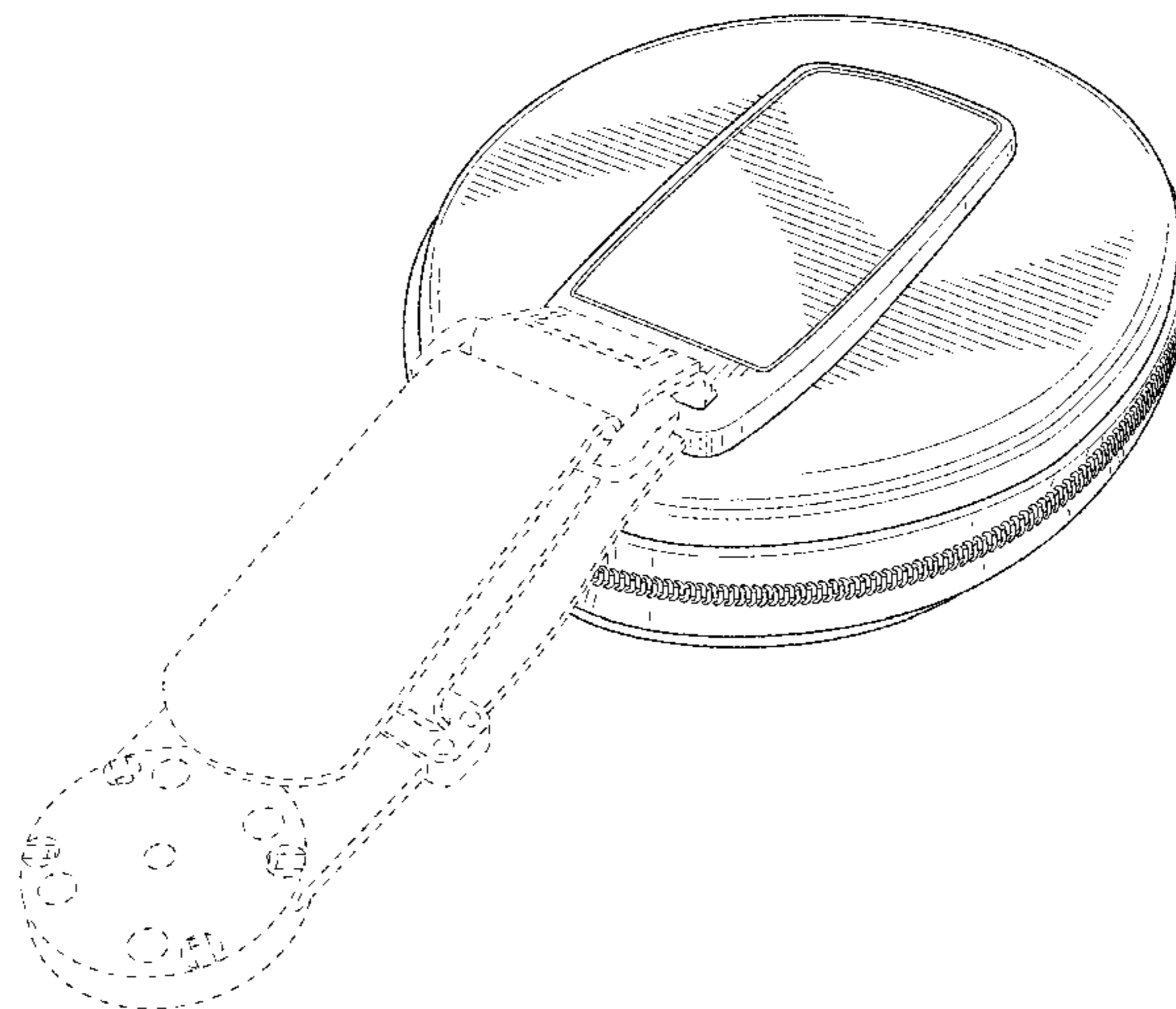
FIG. 6 is a front elevational view of the carrying case in a closed condition;

FIG. 7 is a rear elevational view of the carrying case in a closed condition; and,

FIG. 8 is a top plan view of the carrying case in an open condition.

The structural features depicted in broken lines have been shown for purposes of illustrating portions of the carrying case that form no part of the claimed design.

1 Claim, 7 Drawing Sheets



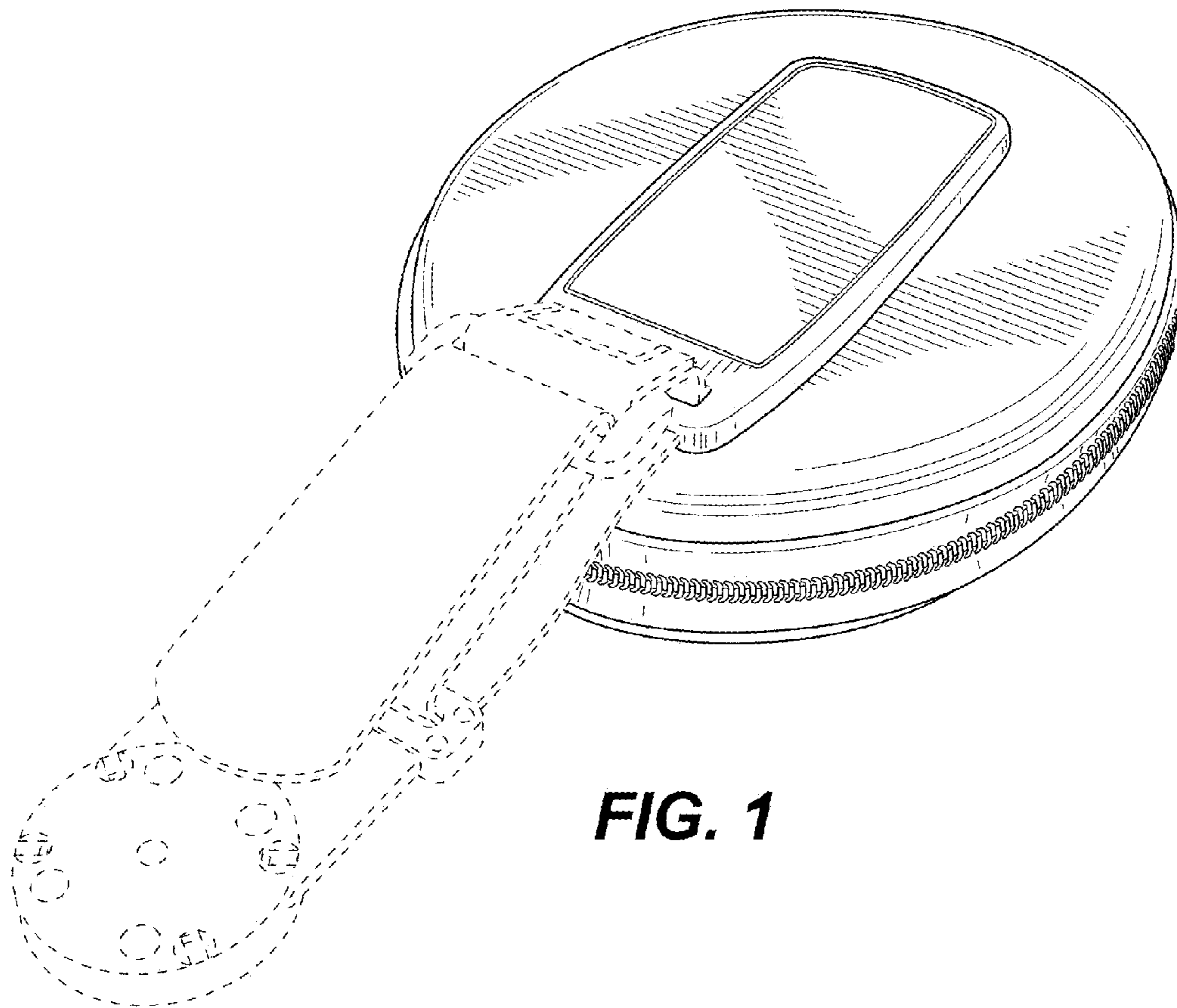


FIG. 1

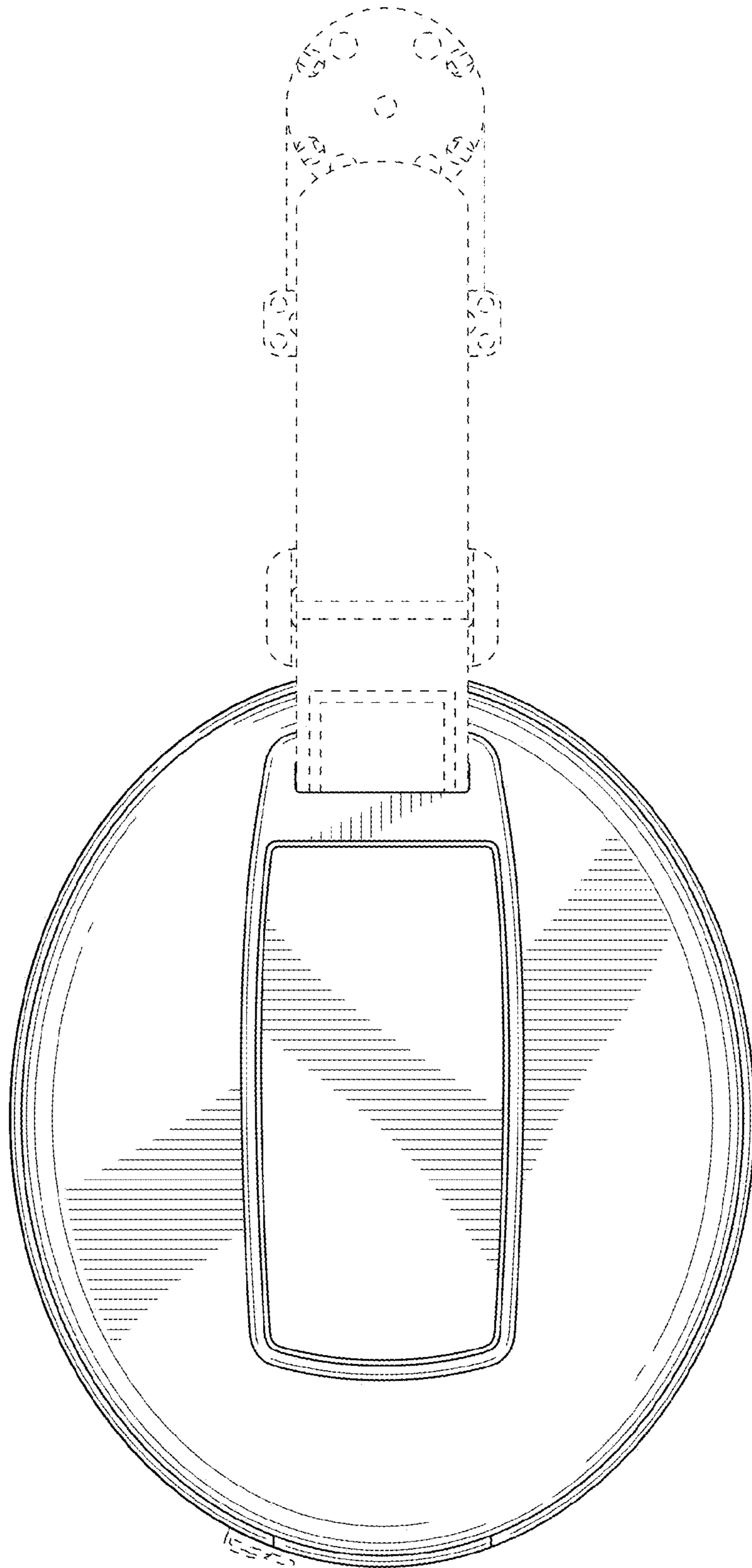


FIG. 2

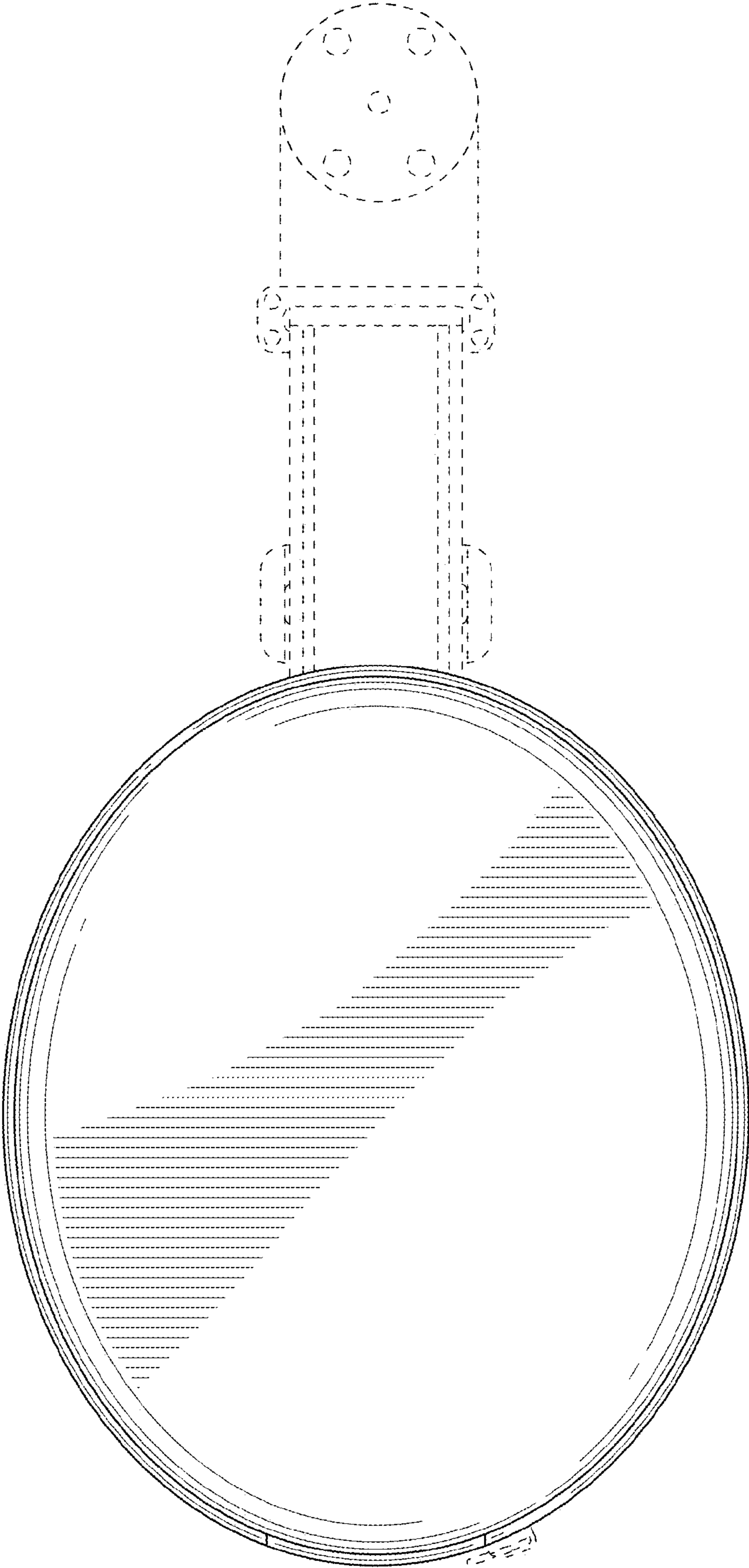


FIG. 3

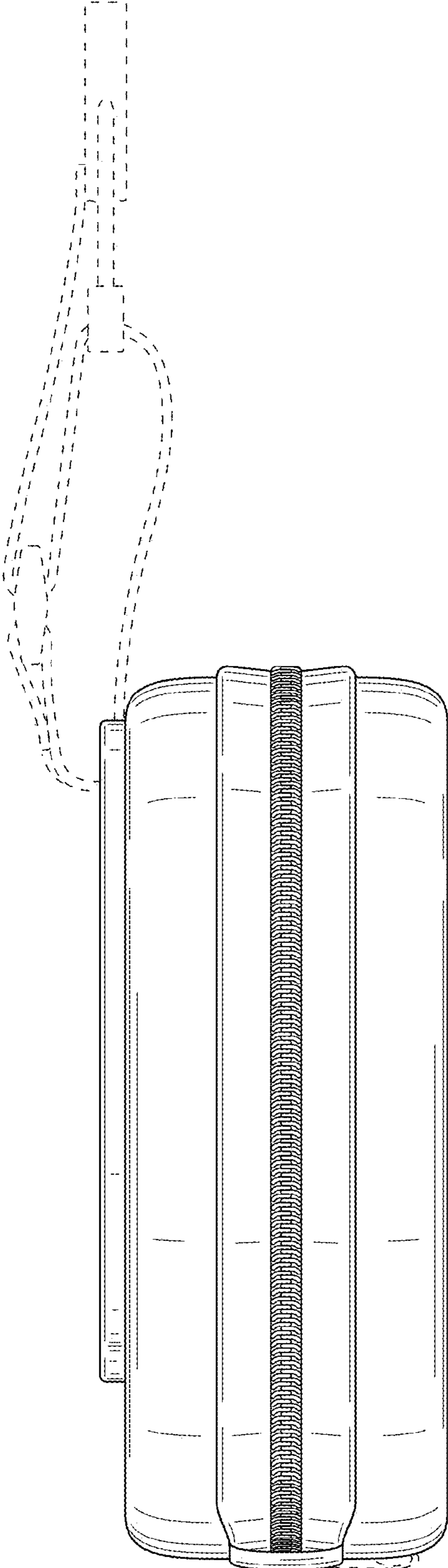


FIG. 4

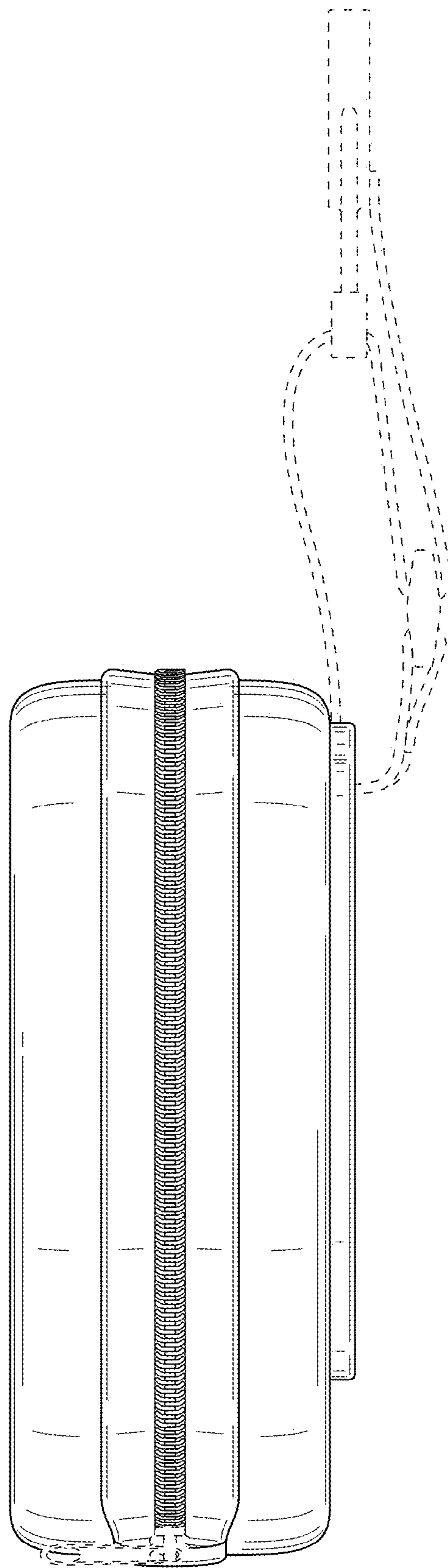


FIG. 5

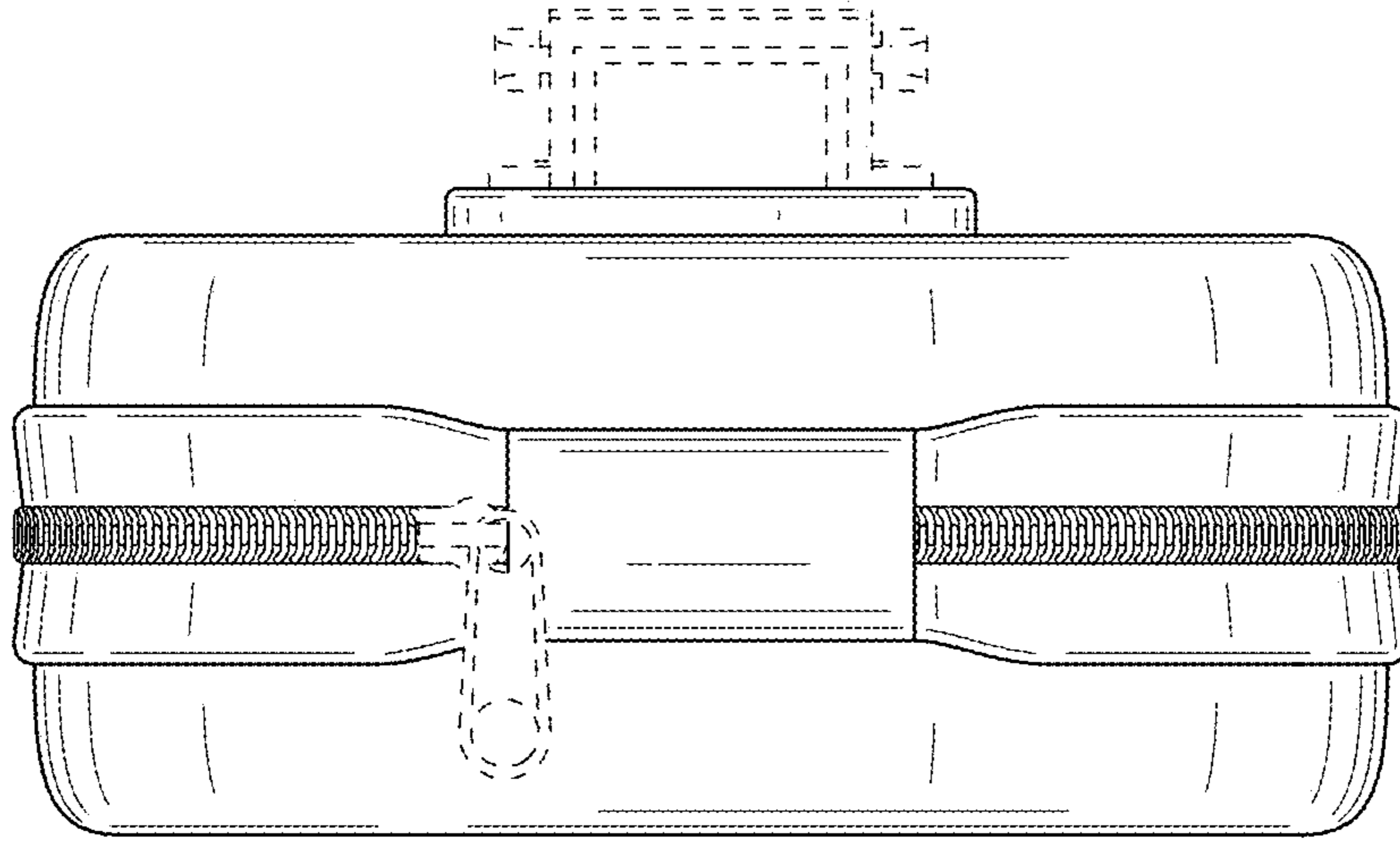


FIG. 6

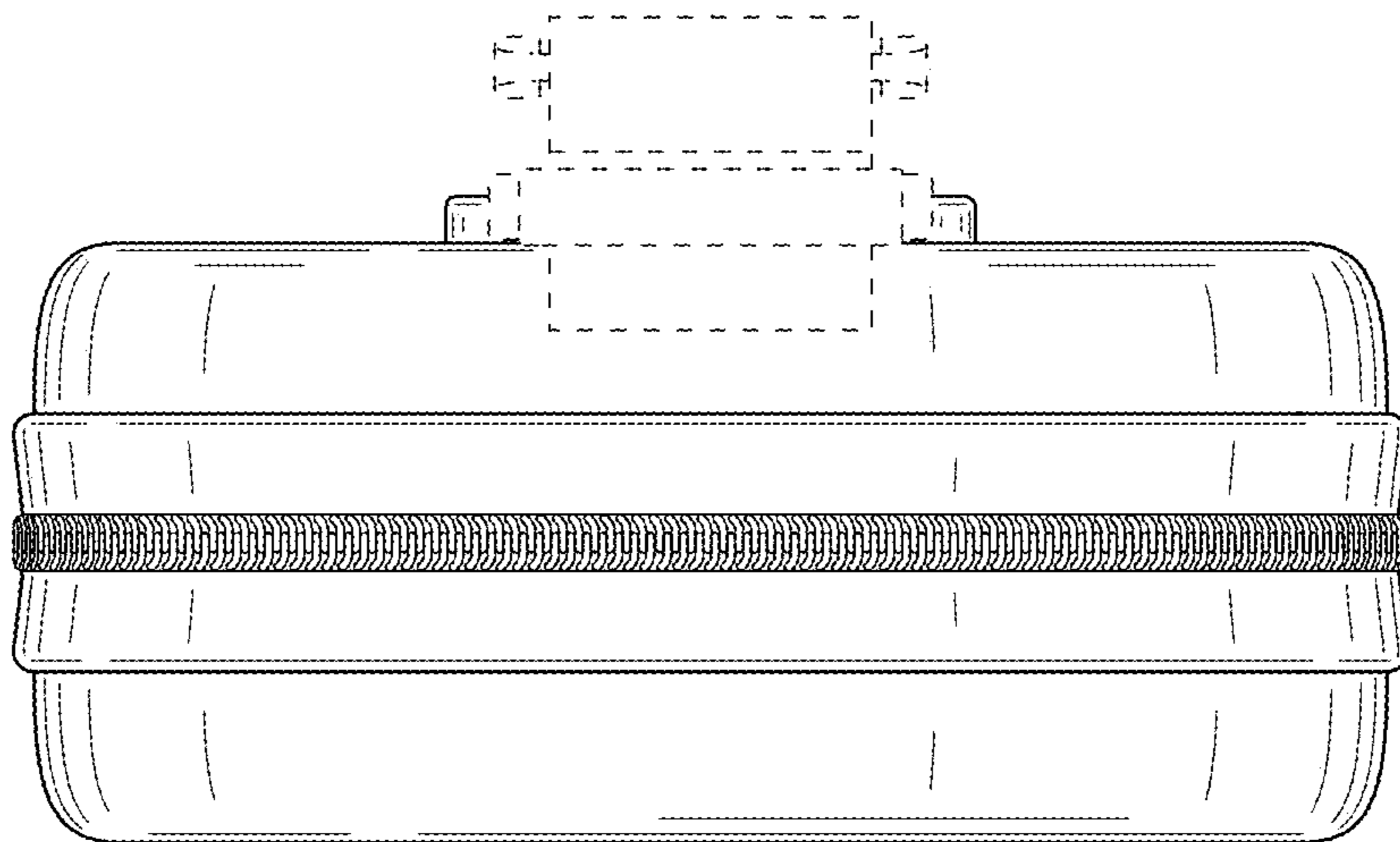


FIG. 7

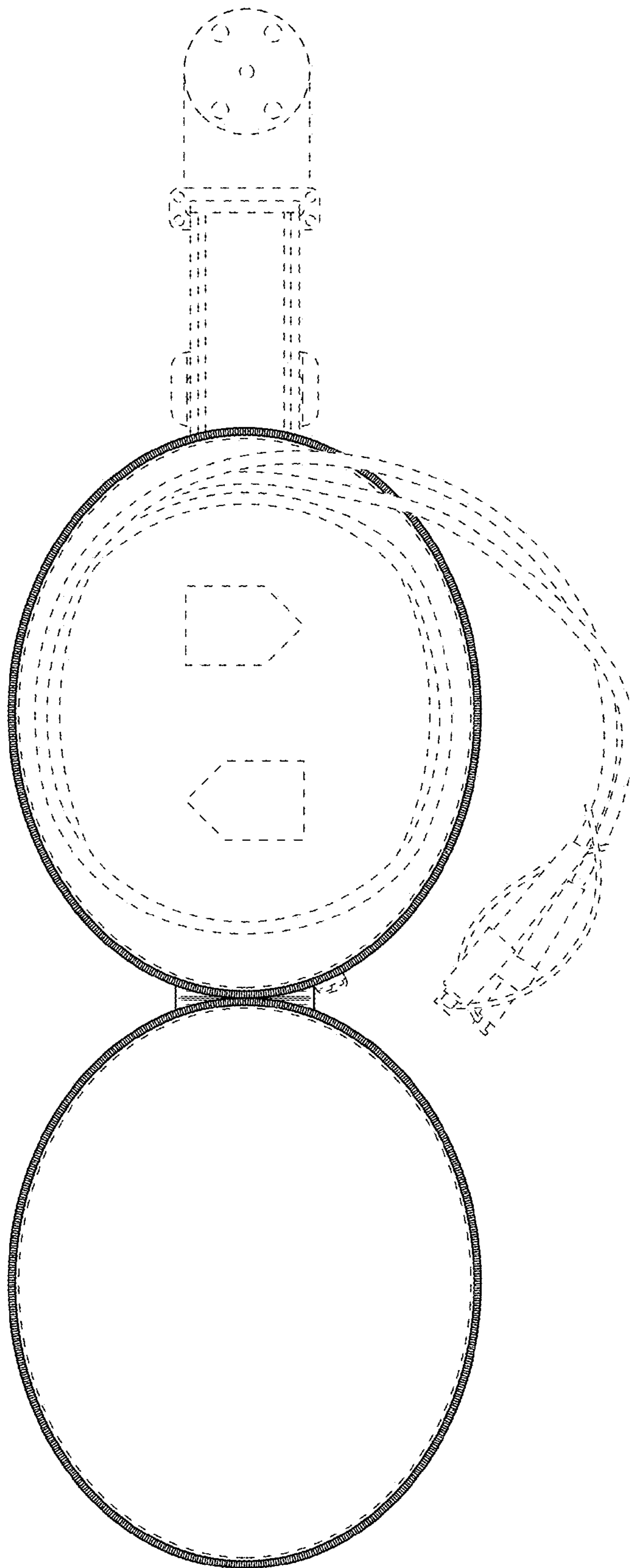


FIG. 8