



US00D765974S

(12) **United States Design Patent** (10) **Patent No.:** **US D765,974 S**
Tonelli et al. (45) **Date of Patent:** **** Sep. 13, 2016**

(54) **TRUNK**

(71) Applicant: **G.T. LINE - S.R.L.**, Valsamoggia, frazione Crespellano (IT)

(72) Inventors: **Massimo Tonelli**, Casalecchio di Reno (IT); **Alessio Concettoni**, Ancona (IT)

(73) Assignee: **G.T. LINE—S.R.L.**, Frazione Crespellano (IT)

(**) Term: **15 Years**

(21) Appl. No.: **29/540,341**

(22) Filed: **Sep. 23, 2015**

(30) **Foreign Application Priority Data**

Jun. 3, 2014 (EM) 002475814

(51) **LOC (10) Cl.** **03-01**

(52) **U.S. Cl.**
USPC **D3/279; D3/284; D3/294; D3/905**

(58) **Field of Classification Search**
USPC D3/905, 276, 279–284, 291, 294, 295, D3/298, 901, 302, 272, 273, 274, 903; 206/372–379, 508; 220/523–528, 826, 220/844
CPC B25H 3/02; B25H 3/021; B25H 3/022; B25H 3/023; B25H 3/025; B25H 3/026; B25H 3/027; B25H 3/028; B25H 3/00; B25H 3/003; B25H 3/006
See application file for complete search history.

(56) **References Cited**

U.S. PATENT DOCUMENTS

D441,954 S * 5/2001 Parker D3/273
D454,430 S * 3/2002 Sijmons D3/279
D462,168 S * 9/2002 Klemmensen D3/276
D467,426 S 12/2002 Hardigg et al.
D489,528 S * 5/2004 Ihenacho D3/279
6,761,366 B1 7/2004 Klemmensen et al.

D523,242 S * 6/2006 Hardigg D3/276
D607,207 S * 1/2010 Horiyama D3/279
D609,911 S * 2/2010 Twig D3/279
D649,350 S 11/2011 Shitrit

(Continued)

Primary Examiner — Jennifer Rivard

Assistant Examiner — April Rivas

(74) *Attorney, Agent, or Firm* — Cantor Colburn LLP

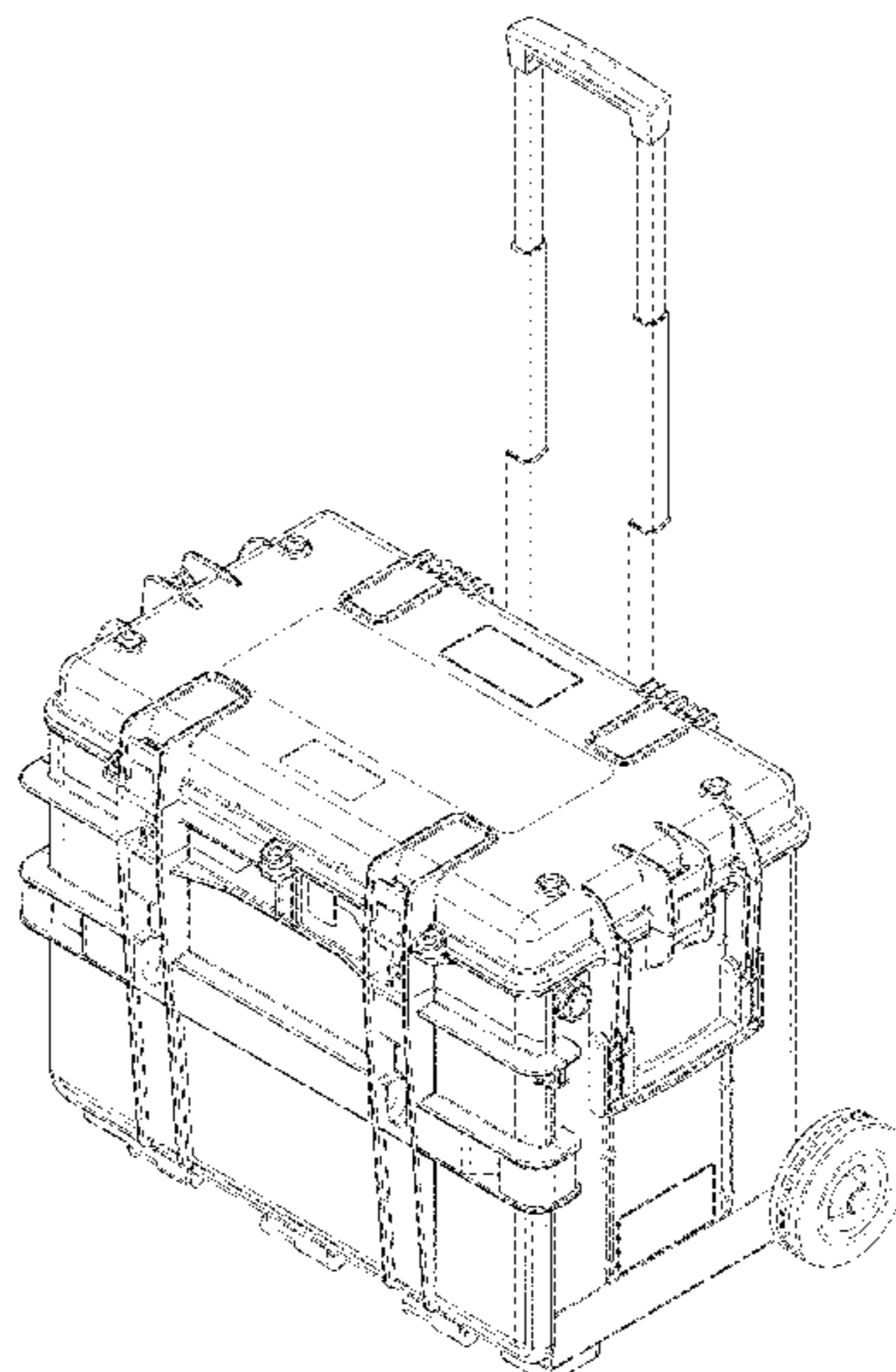
(57) **CLAIM**

We claim, the ornamental design for a trunk, as shown and described.

DESCRIPTION

FIG. 1 is a perspective view of a trunk showing our new design in an embodiment;
FIG. 2 is a front view thereof;
FIG. 3 is a rear view thereof;
FIG. 4 is a left side view thereof;
FIG. 5 is a top view thereof;
FIG. 6 is a bottom view thereof;
FIG. 7 is a perspective view thereof with a handle extended;
FIG. 8 is a right side view with the handle shown in a closed configuration;
FIG. 9 is a perspective view in an open configuration;
FIG. 10 is a perspective view thereof in a second embodiment;
FIG. 11 is a front view thereof;
FIG. 12 is a rear view thereof;
FIG. 13 is a left side view thereof;
FIG. 14 is a top view thereof;
FIG. 15 is a bottom view thereof;
FIG. 16 is a perspective view thereof with the handle extended;
FIG. 17 is a right side view with the handle shown in a closed configuration; and,
FIG. 18 is a perspective view in the open configuration.
The broken lines shown in the drawings illustrate portions of the trunk and form no part of the claimed design.

1 Claim, 18 Drawing Sheets



(56)

References Cited

U.S. PATENT DOCUMENTS

D649,783 S	12/2011	Brunner				
D653,832 S	2/2012	Vilkomirski et al.				
D668,869 S	10/2012	Yamamoto et al.				
D693,121 S	11/2013	Bensman et al.				
D702,044 S	4/2014	Shitrit et al.				
D709,287 S	7/2014	Shitrit et al.				
D710,099 S	8/2014	Horovitz et al.				
D710,100 S	8/2014	Brunner				
D711,105 S	8/2014	Brunner				
D718,051 S	11/2014	Frahm et al.				
D724,320 S *	3/2015	Russell	D3/273		* cited by examiner
					D728,934 S	5/2015 Brunner
					D742,640 S *	11/2015 Sabbag
					2002/0117414 A1 *	8/2002 Kipper
					 B25H 3/023
						206/373
					2002/0125159 A1 *	9/2002 Hann
					 B25H 3/021
						206/372
					2004/0134818 A1 *	7/2004 Cunningham
					 B25H 3/023
						206/373
					2009/0078593 A1 *	3/2009 Patstone
					 F16B 12/44
						206/216
					2011/0127264 A1 *	6/2011 Whalen
					 A45C 5/03
						220/203.01
					2014/0197059 A1 *	7/2014 Evans
					 B25H 3/02
						206/349

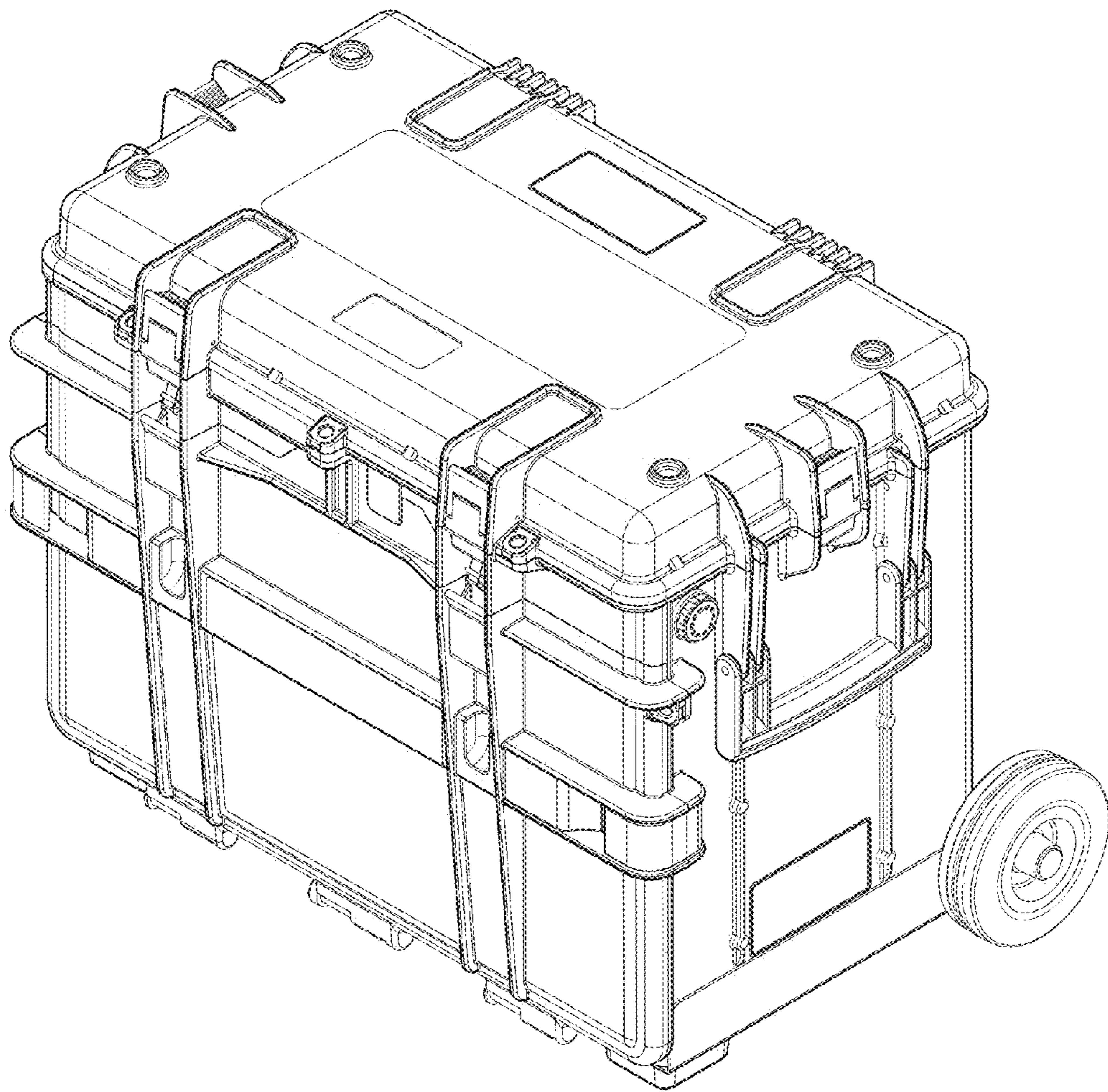


Fig. 1

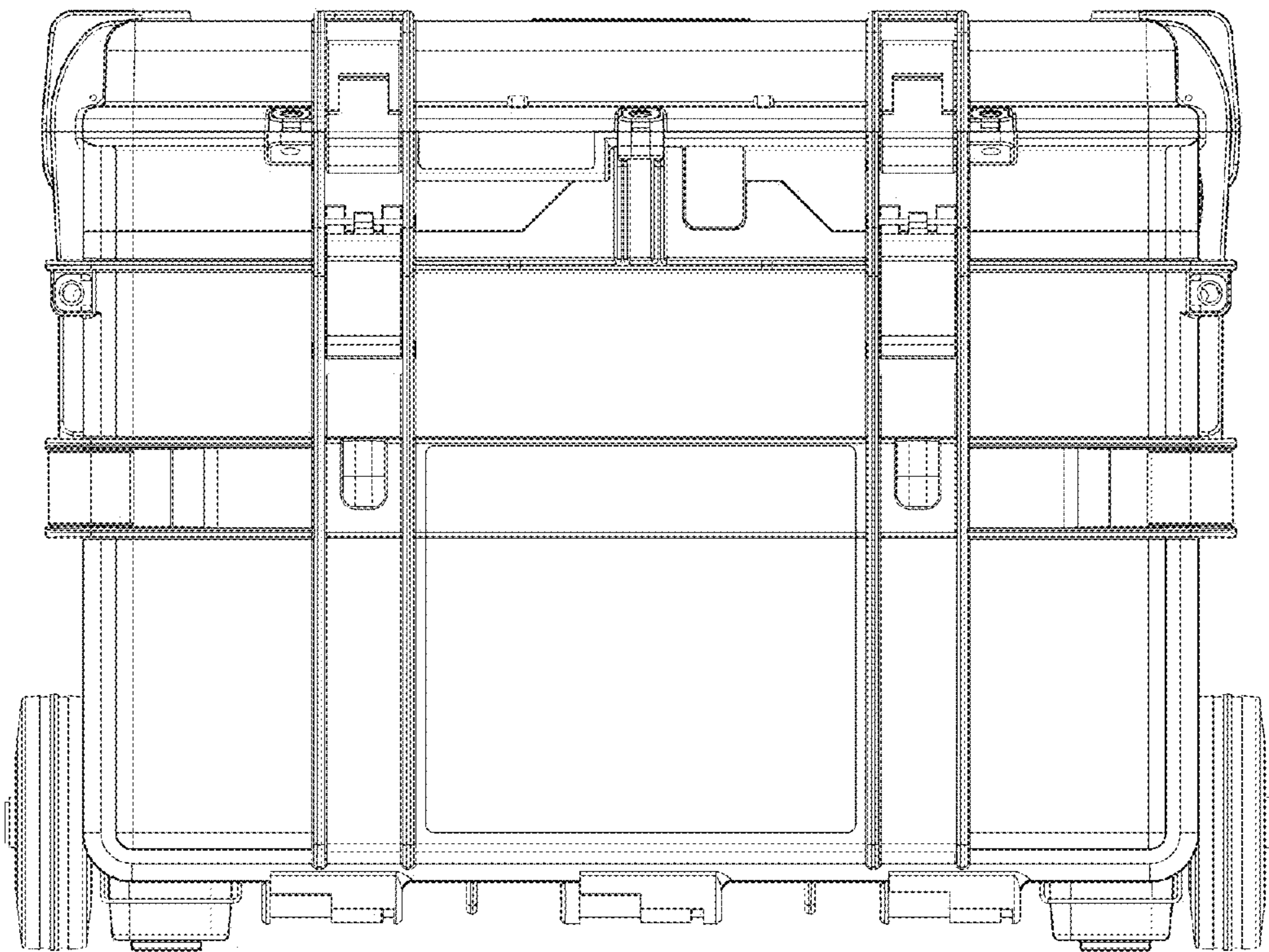


Fig. 2

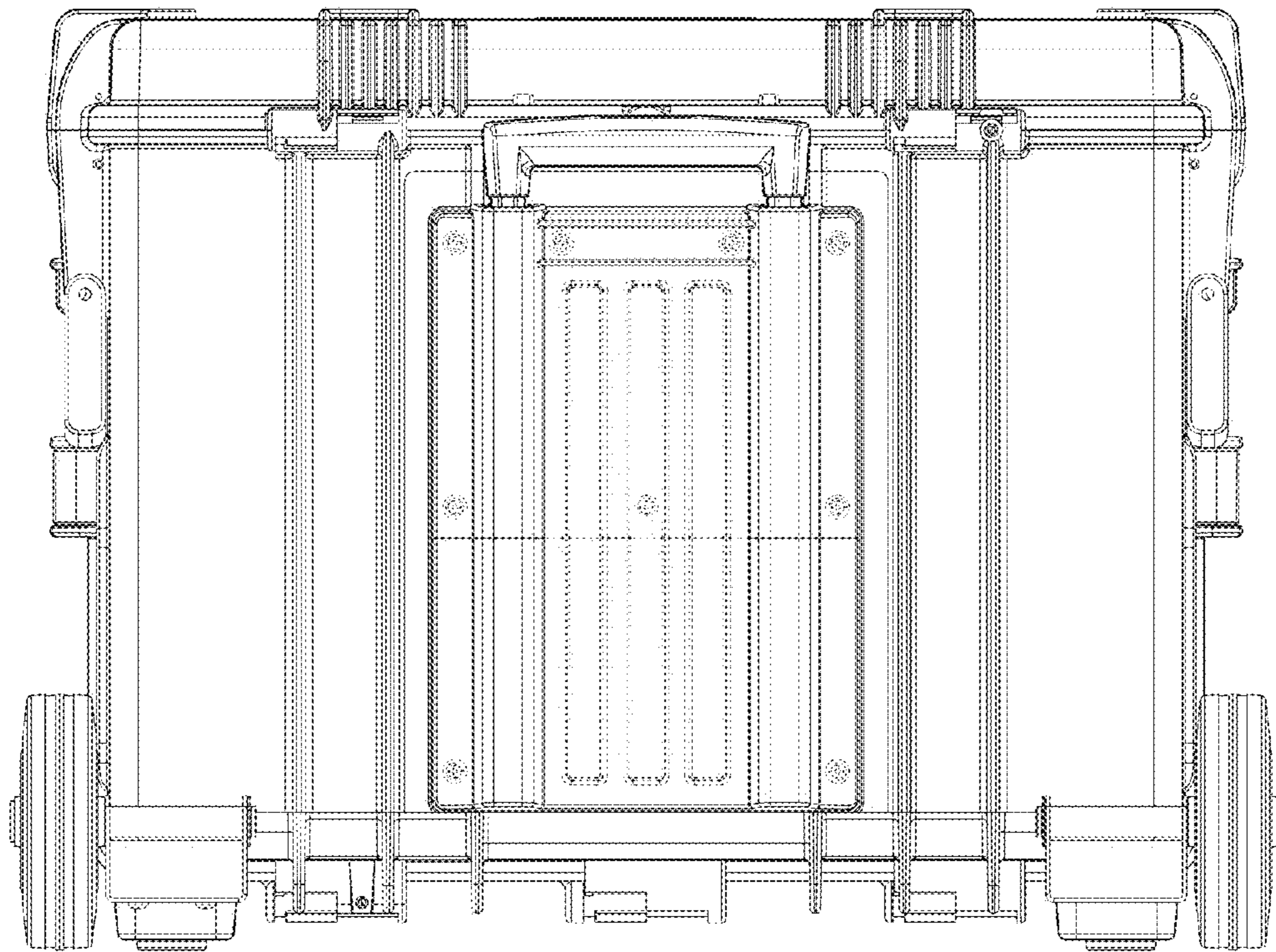


Fig. 3

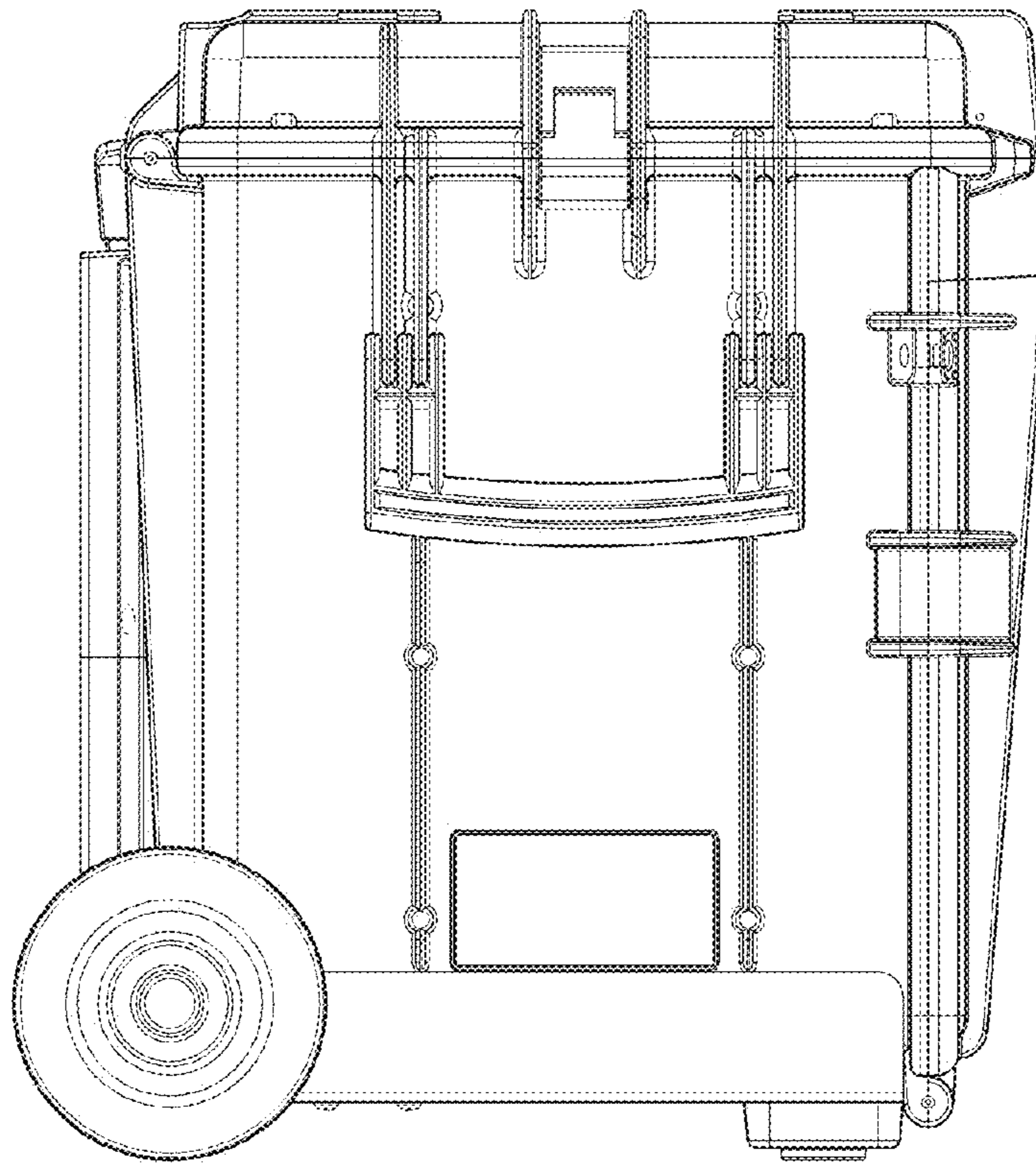


Fig. 4

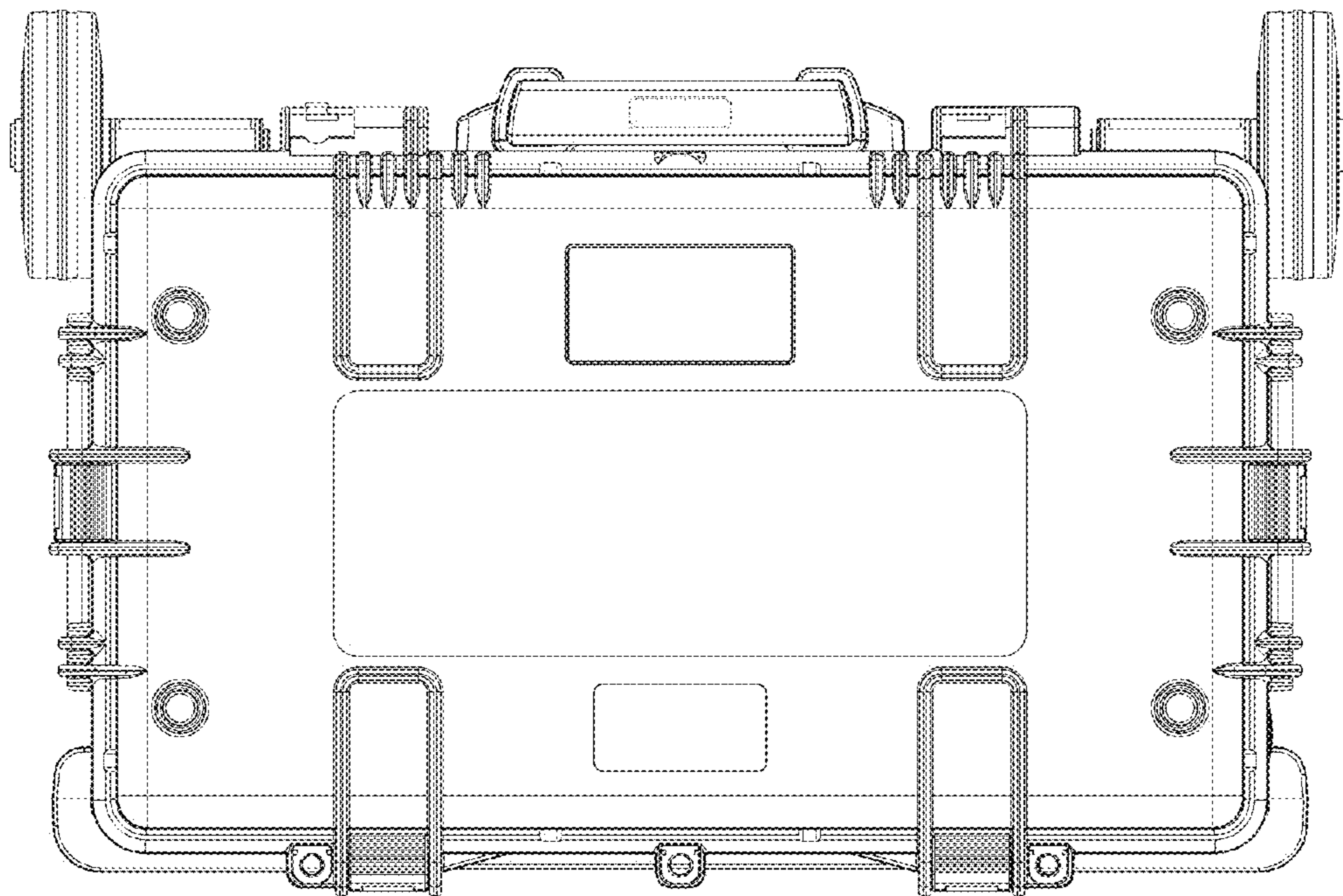


Fig. 5

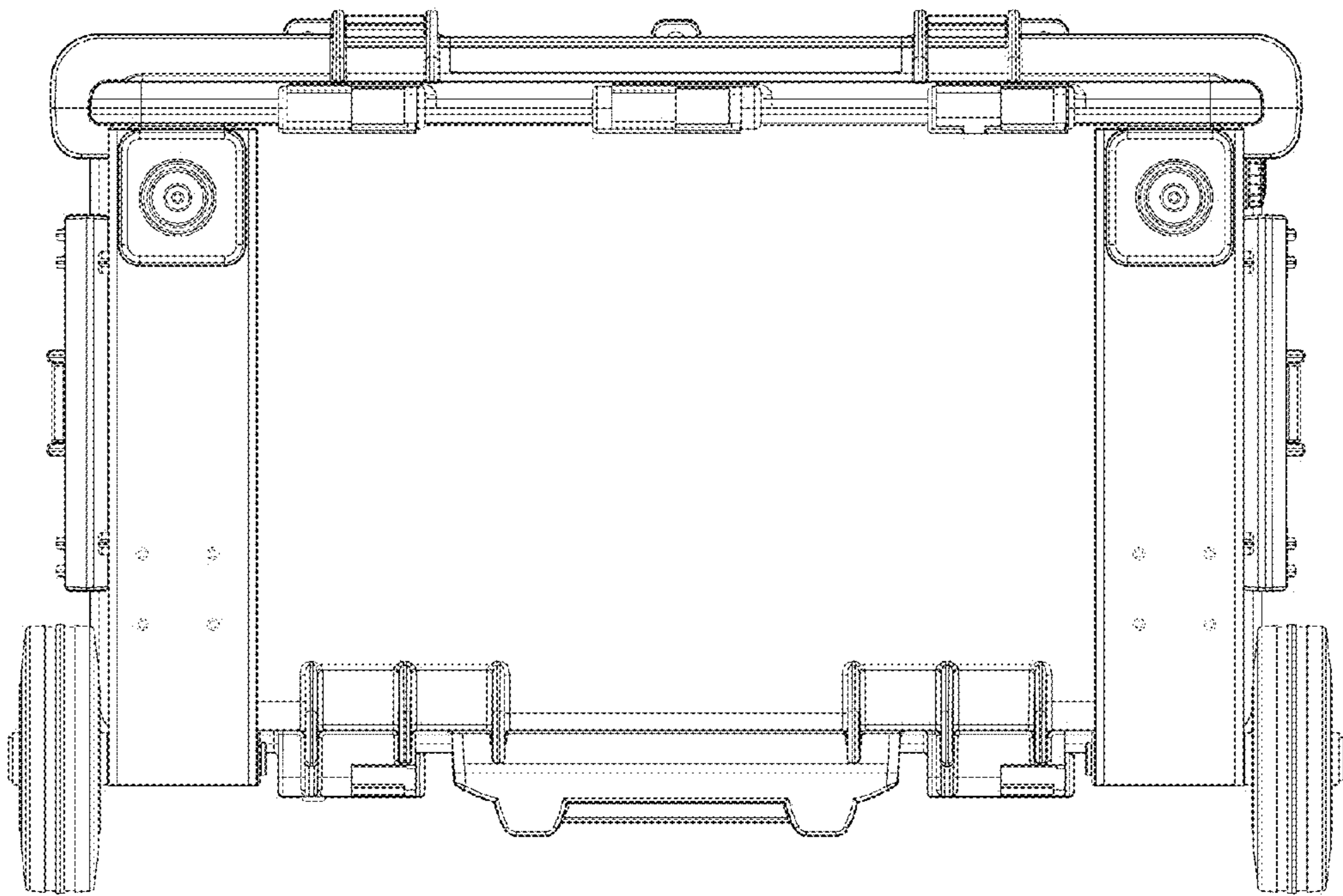


Fig. 6

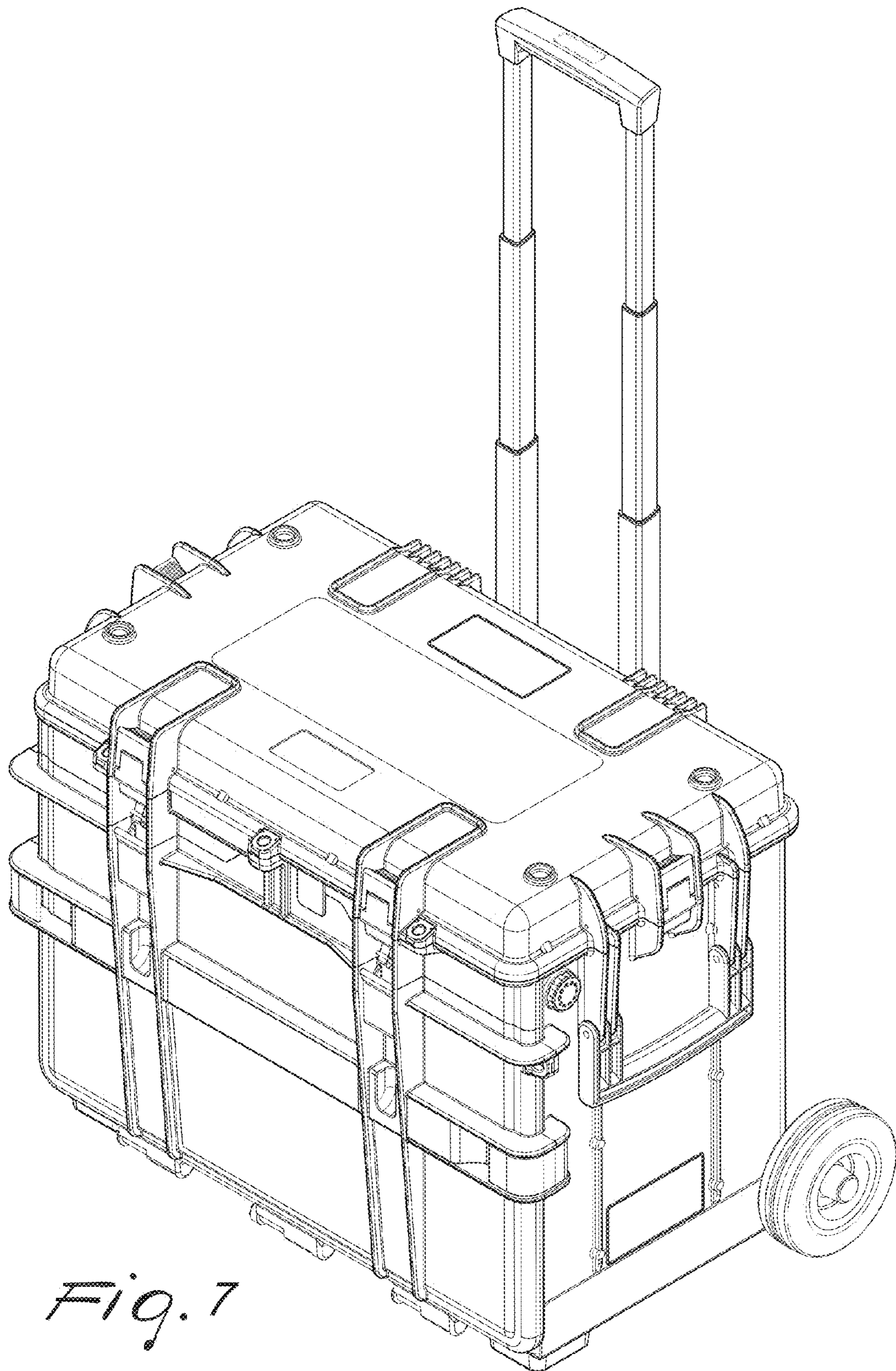


Fig. 7

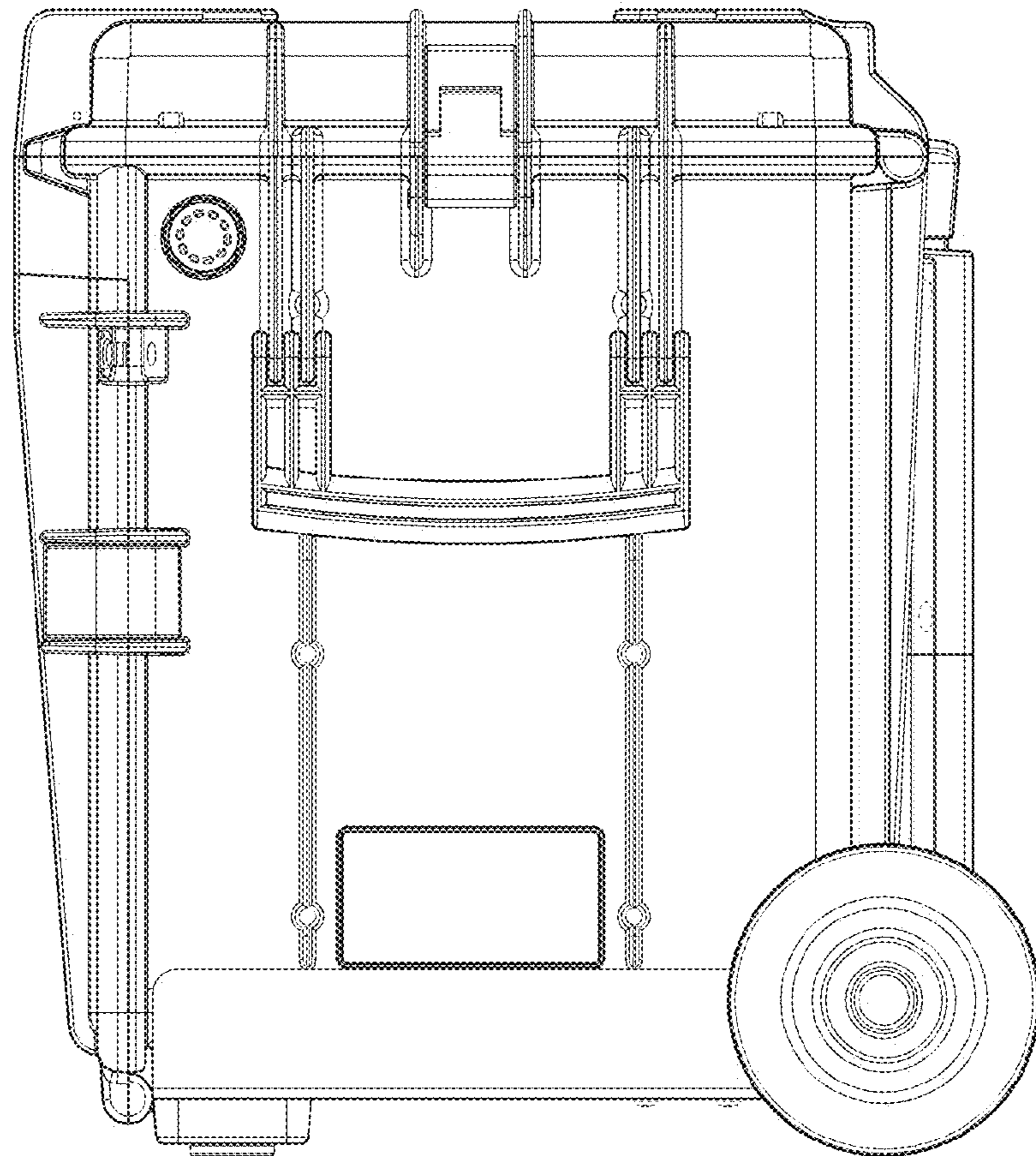


Fig. 8

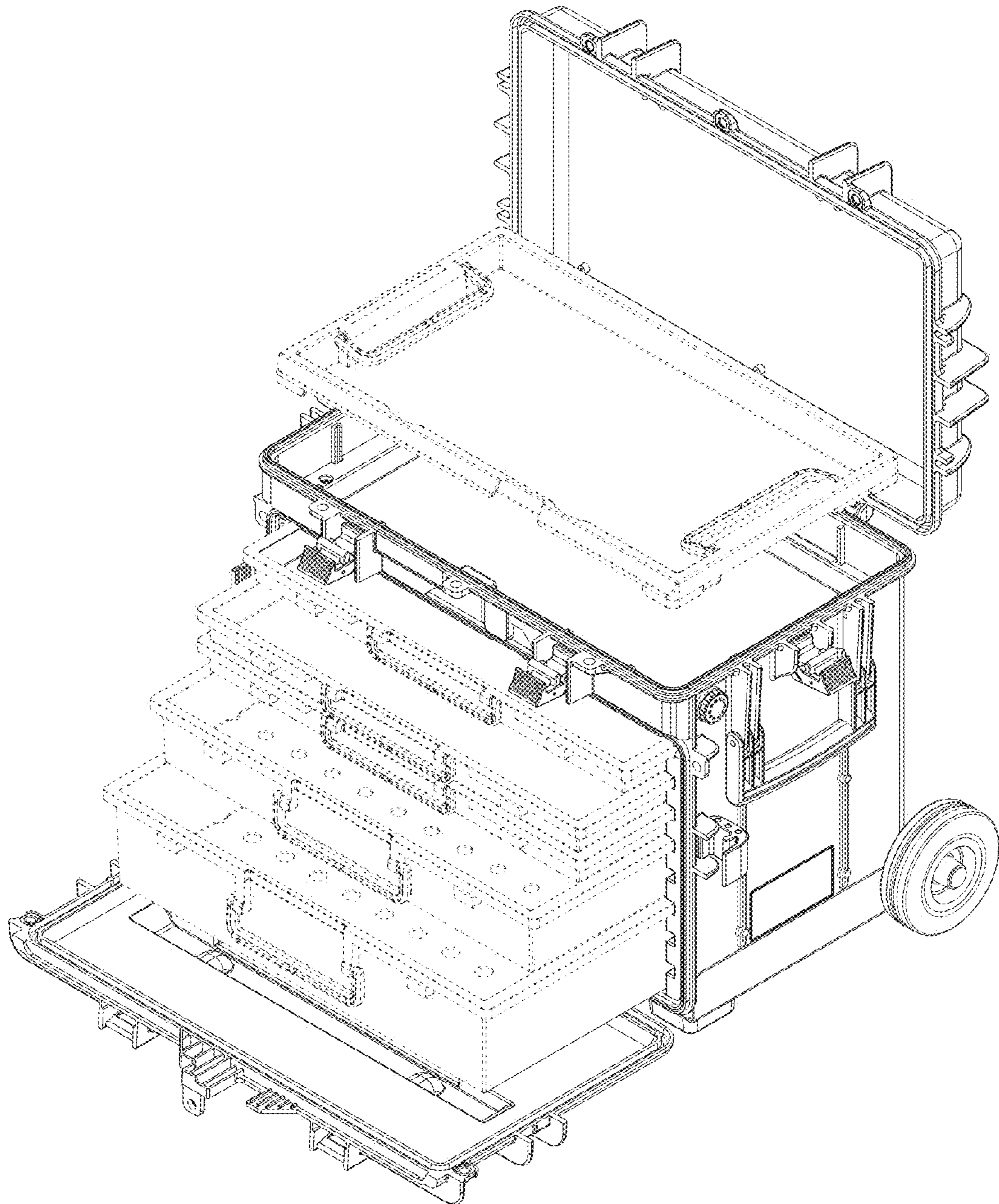


Fig. 9

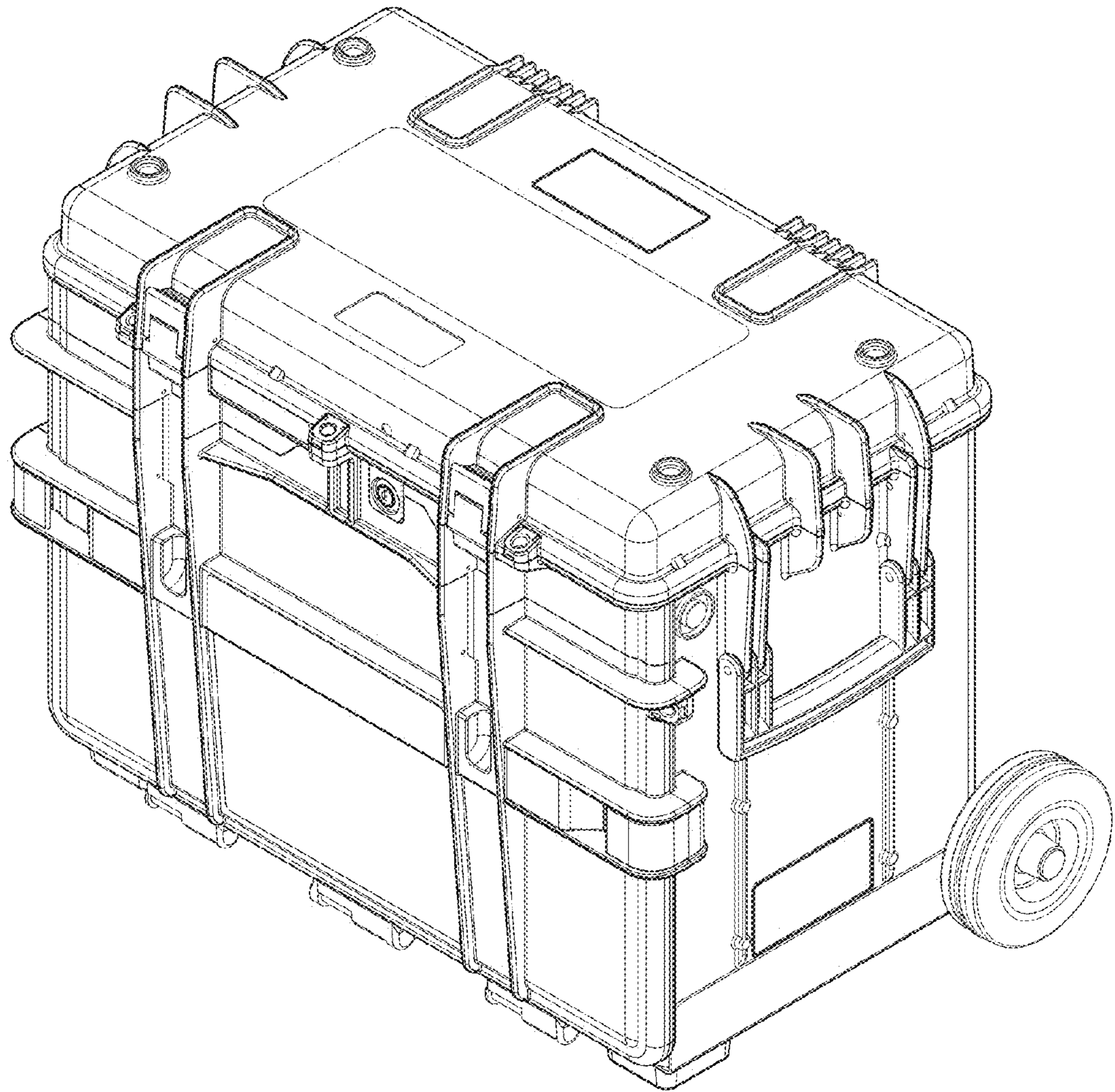


Fig. 10

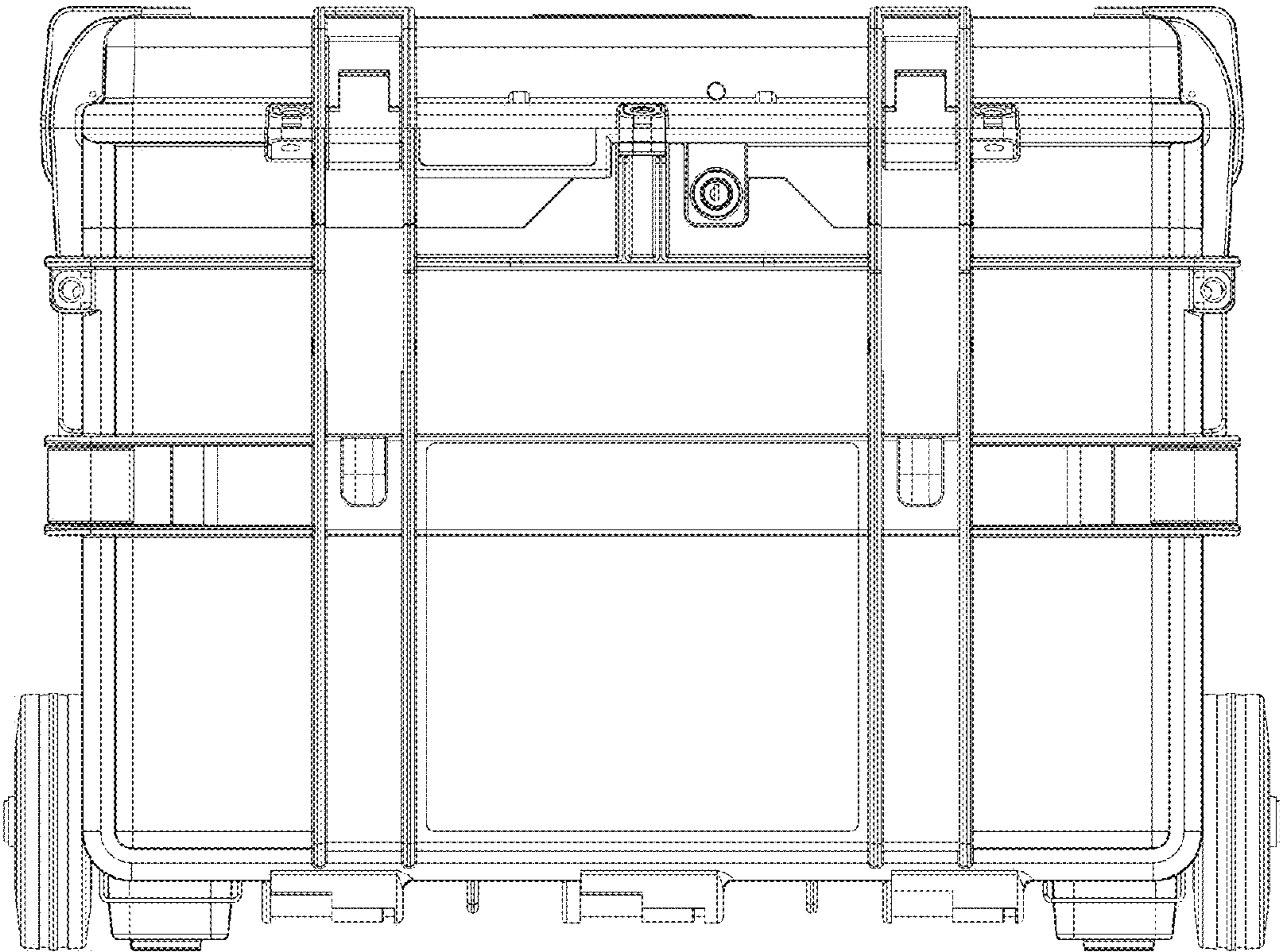


Fig. 11

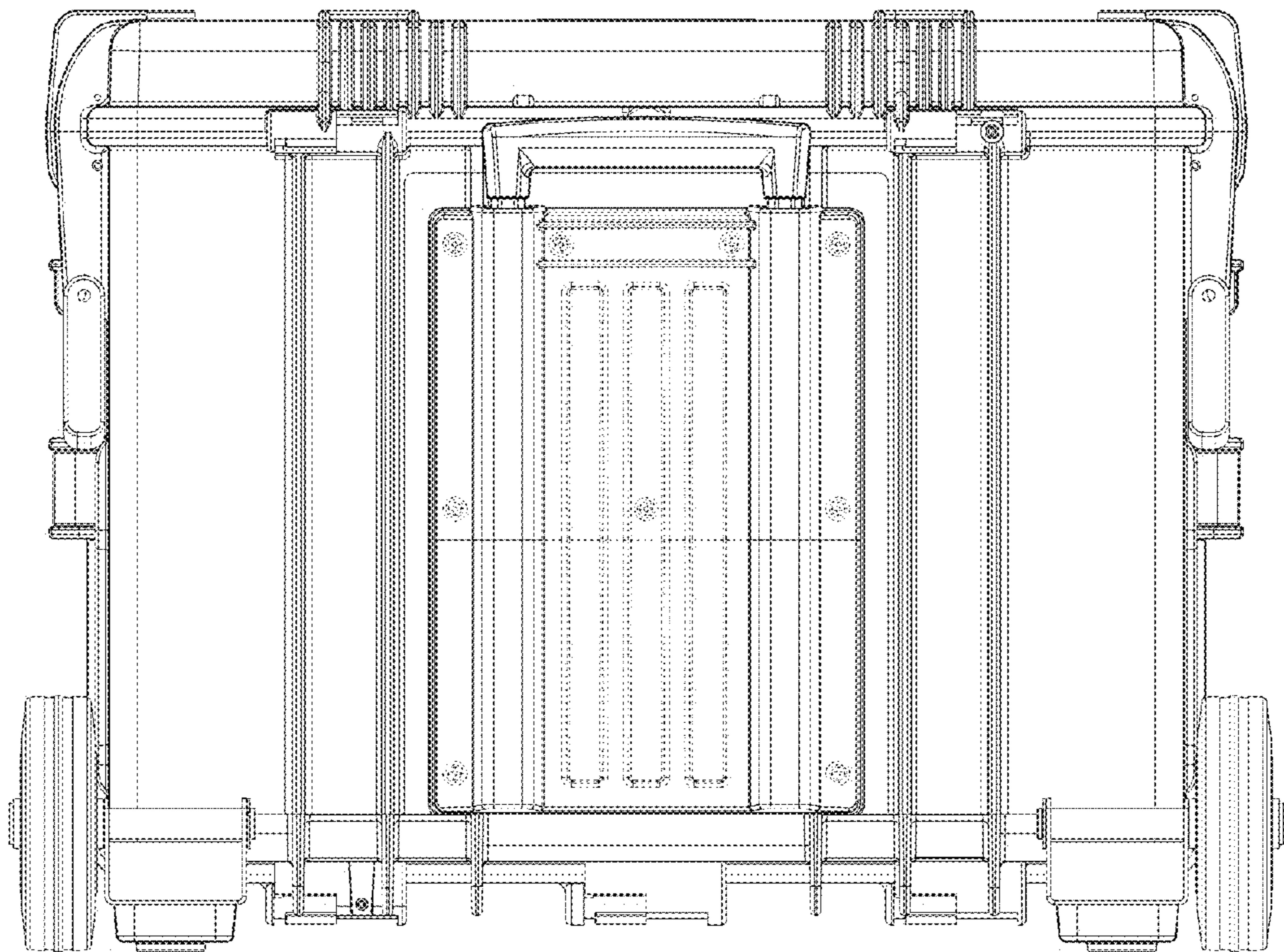


Fig. 12

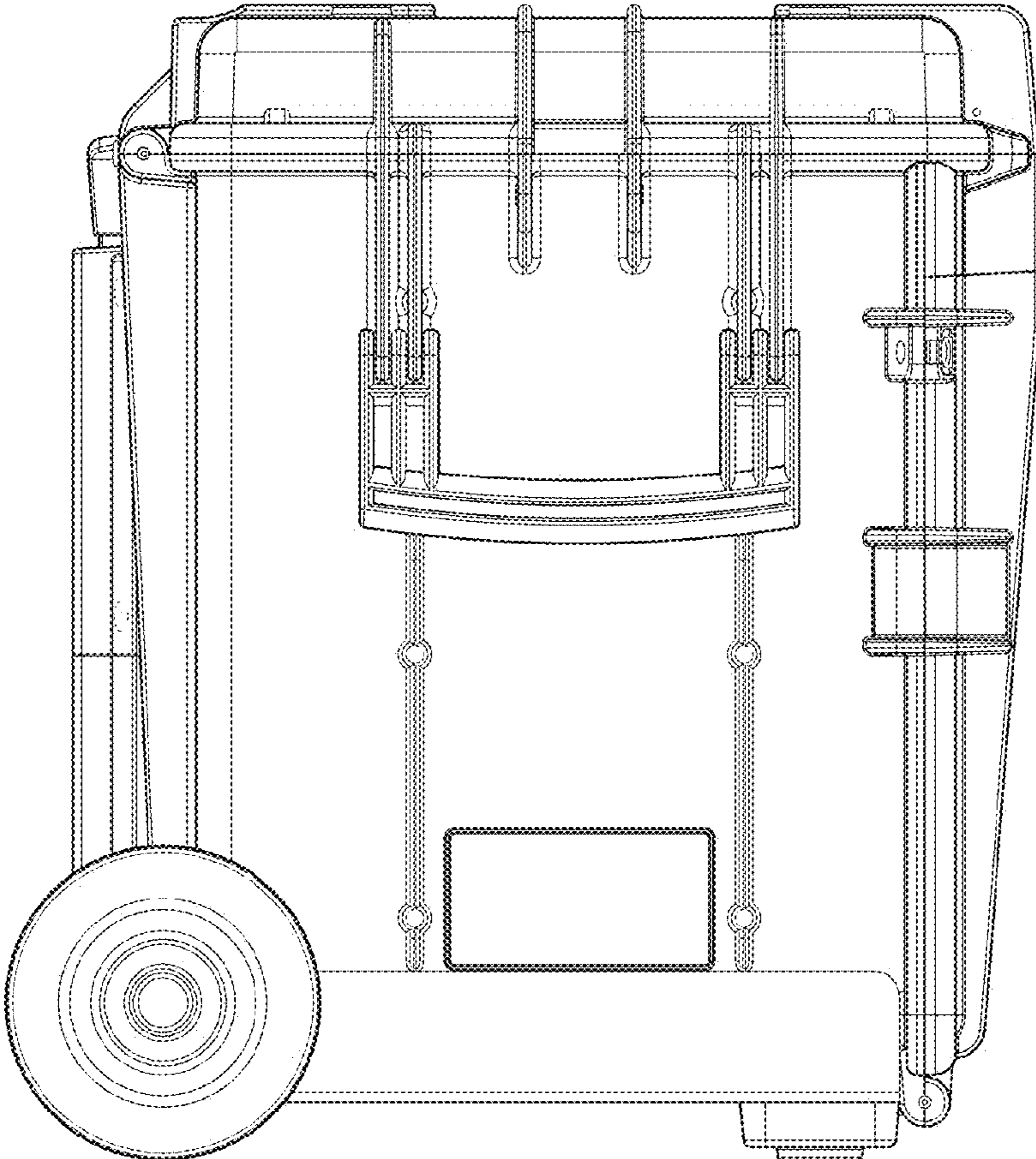


Fig. 13

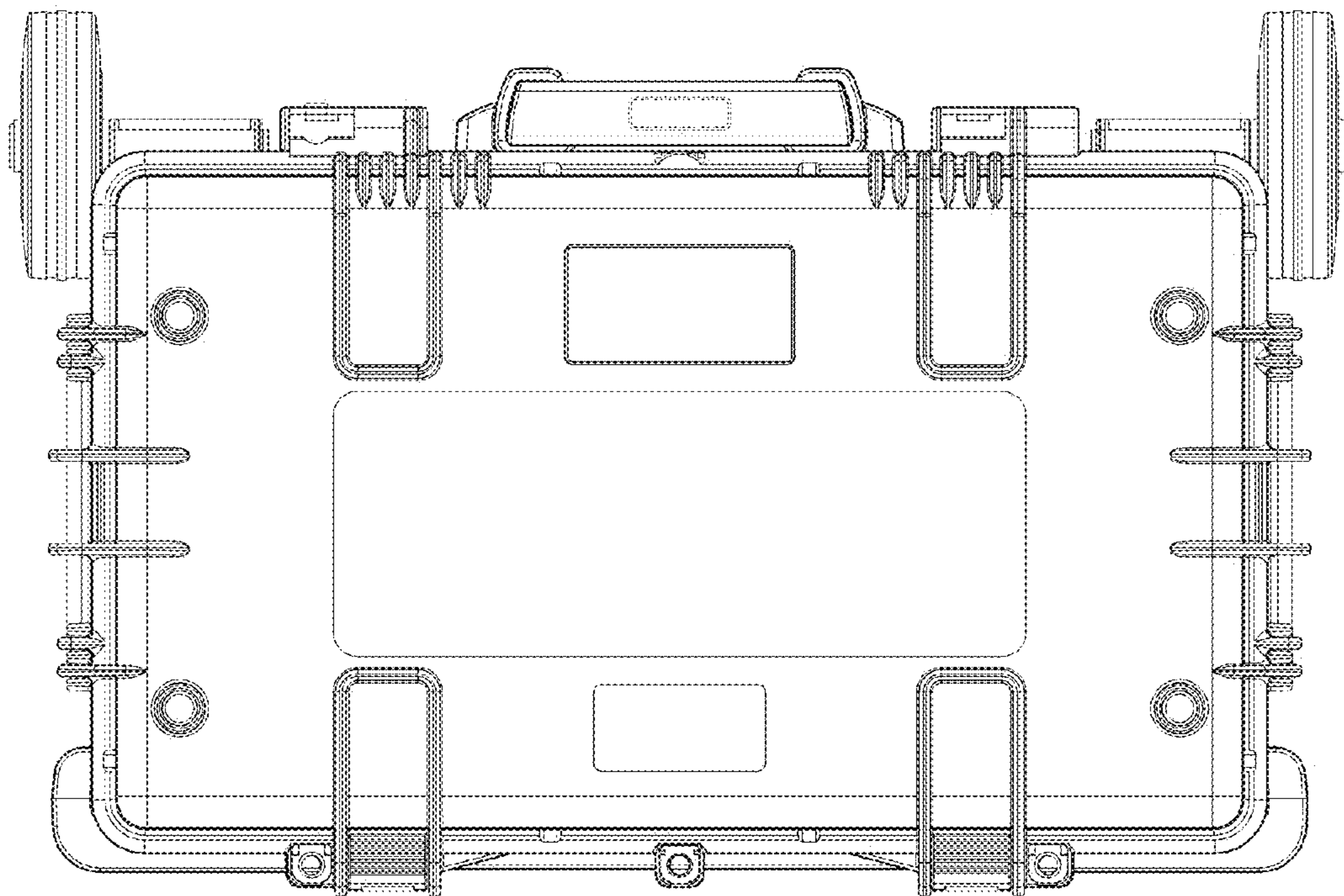


Fig. 14

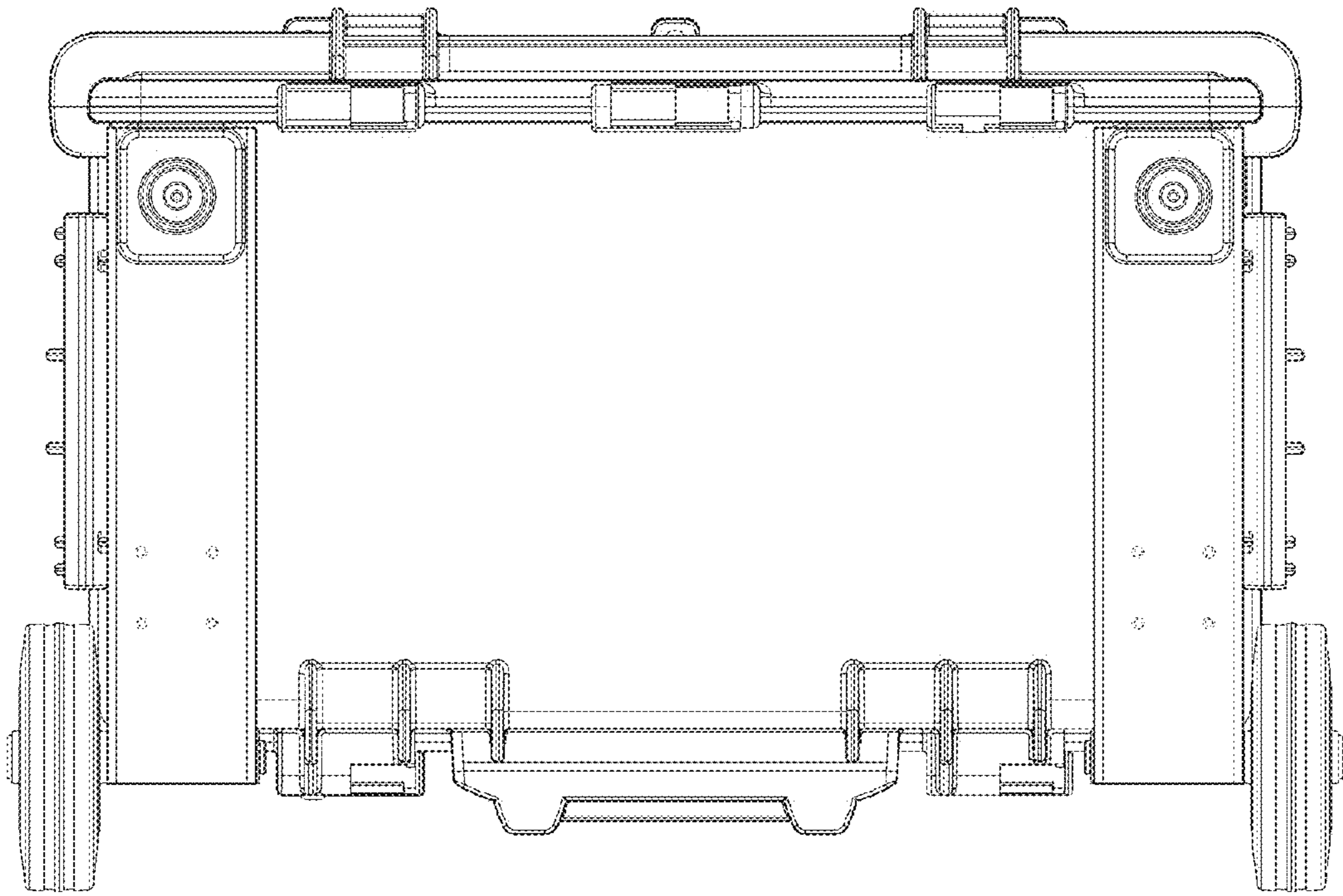


Fig. 15

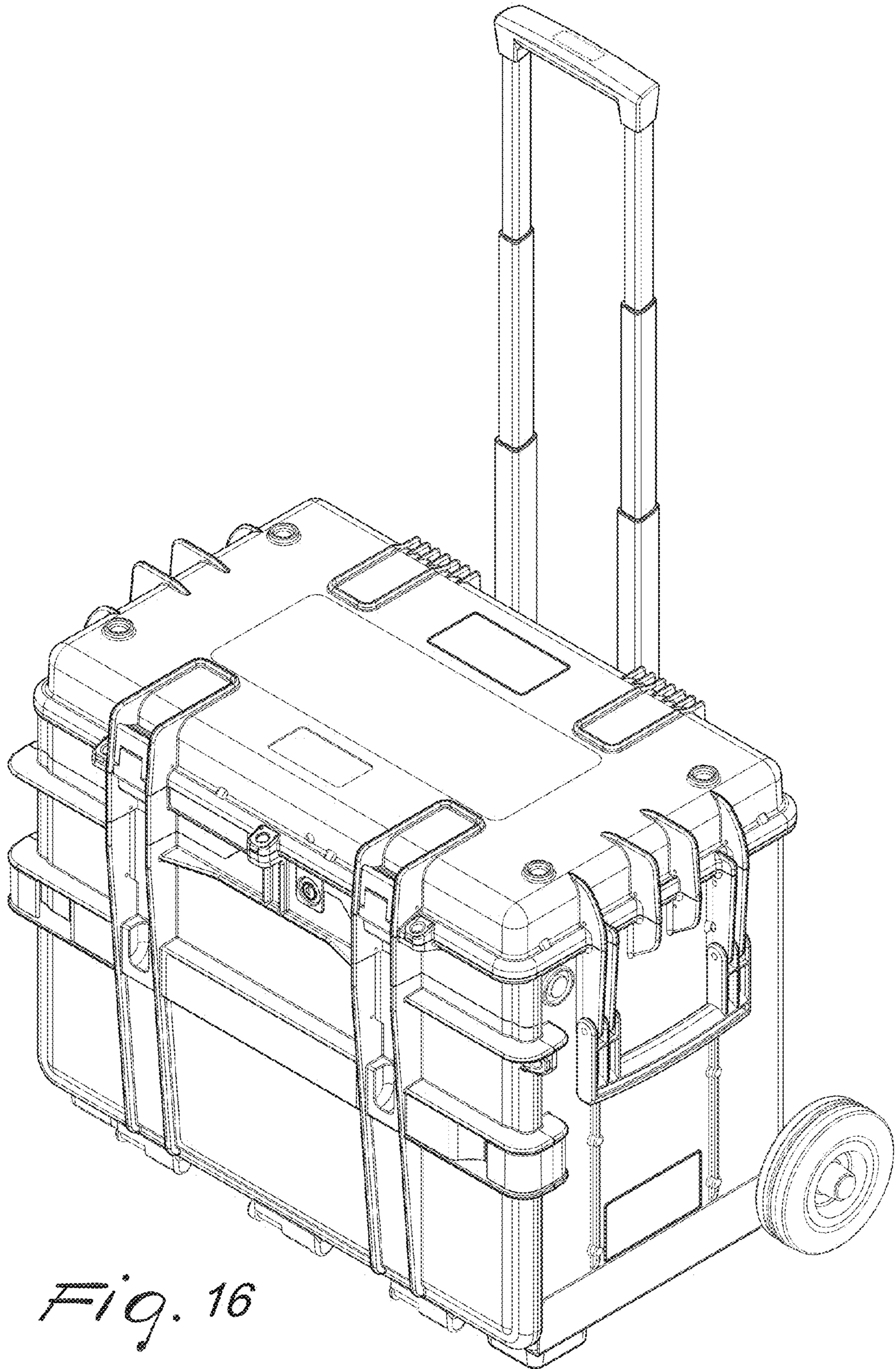


Fig. 16

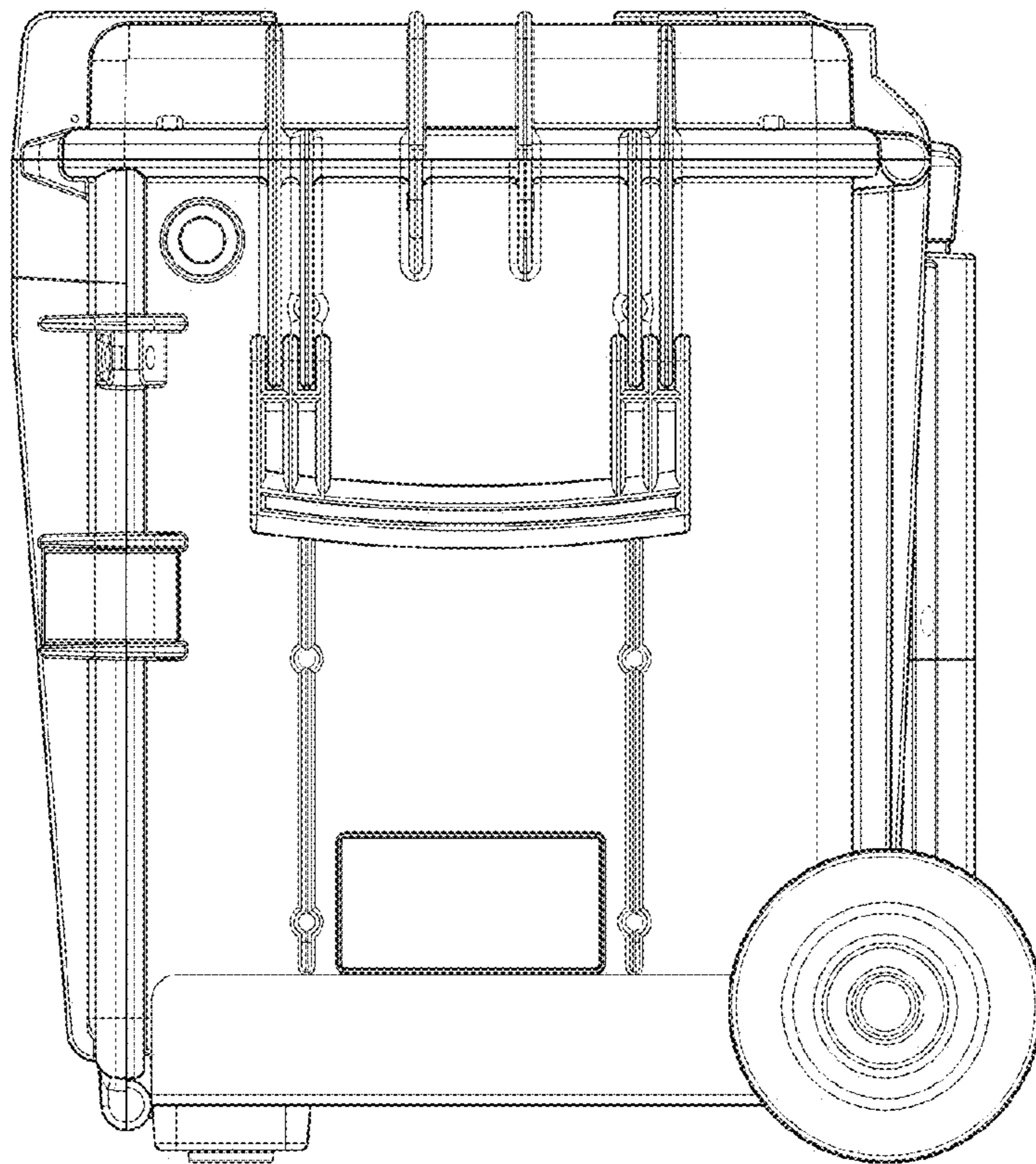


Fig. 17

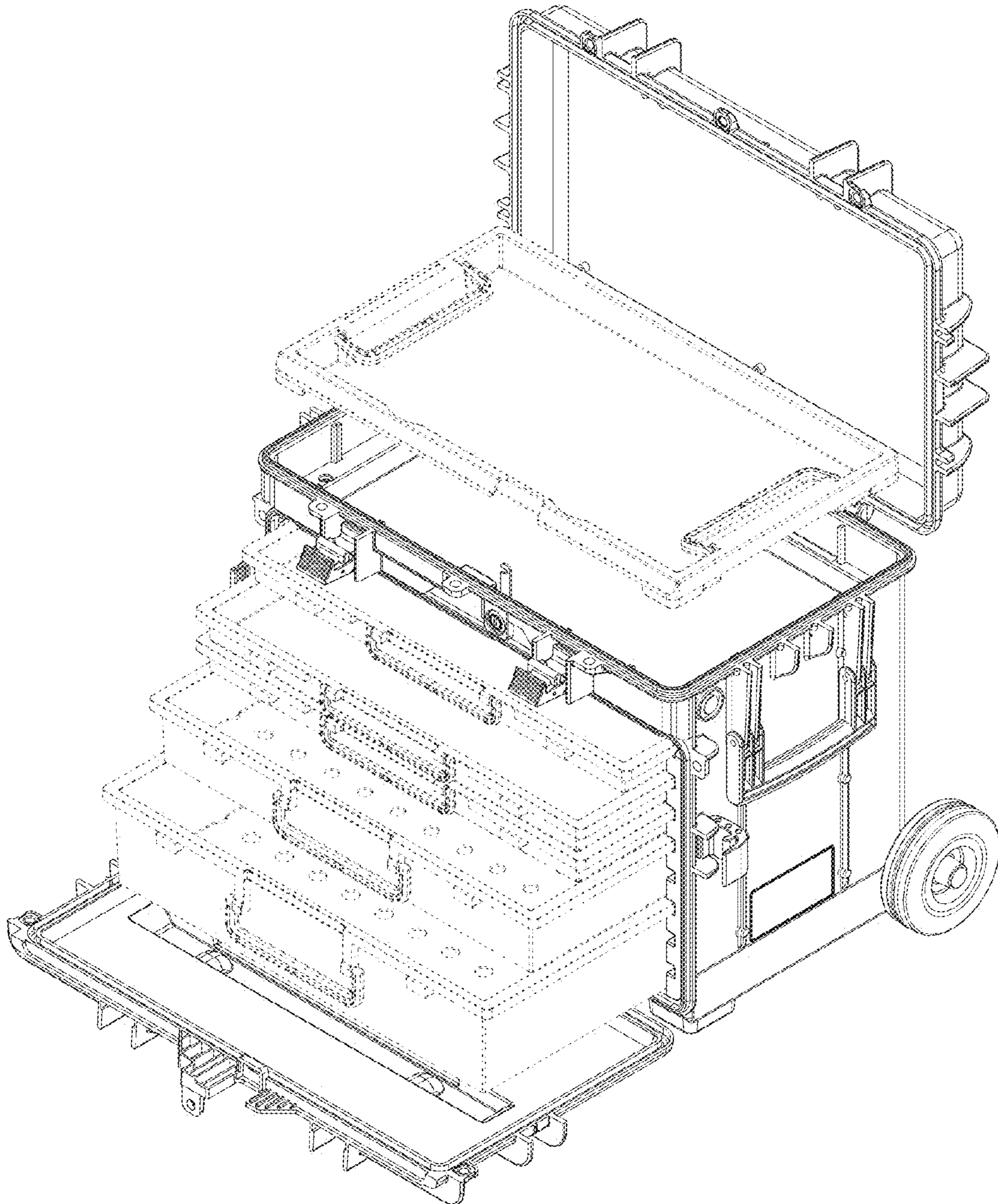


Fig. 18