



US00D765973S

(12) **United States Design Patent** (10) **Patent No.:** **US D765,973 S**
Tonelli et al. (45) **Date of Patent:** **** Sep. 13, 2016**

(54) **TRUNK** D462,168 S * 9/2002 Klemmensen D3/276
D467,426 S 12/2002 Hardigg et al.
(71) Applicant: **G.T. LINE—S.R.L.**, Valsamoggia, D489,528 S * 5/2004 Ihenacho D3/279
franzione Crespel (IT) (Continued)

(72) Inventors: **Massimo Tonelli**, Casalecchio di Reno (IT); **Alessio Concettoni**, Ancona (IT) *Primary Examiner* — Jennifer Rivard
Assistant Examiner — April Rivas
(74) *Attorney, Agent, or Firm* — Cantor Colburn LLP

(73) Assignee: **G.T. LINE—S.R.L.**, Frazione Crespellano (IT)

(**) Term: **15 Years**

(57) **CLAIM**
The ornamental design for a trunk, as shown and described.

(21) Appl. No.: **29/540,334**

(22) Filed: **Sep. 23, 2015**

DESCRIPTION

Related U.S. Application Data

(62) Division of application No. 29/510,284, filed on Nov. 26, 2014.

FIG. 1 is a perspective view of a trunk showing our new design in an embodiment;
FIG. 2 is a front view thereof;
FIG. 3 is a rear view thereof;
FIG. 4 is a left side view thereof;
FIG. 5 is a top view thereof;
FIG. 6 is a bottom view thereof;
FIG. 7 is a perspective view thereof with a handle extended;
FIG. 8 is a right side view with the handle shown in a closed configuration;
FIG. 9 is a perspective view in an open configuration;
FIG. 10 is a perspective view thereof in a second embodiment;
FIG. 11 is a front view thereof;
FIG. 12 is a rear view thereof;
FIG. 13 is a left side view thereof;
FIG. 14 is a top view thereof;
FIG. 15 is a bottom view thereof;
FIG. 16 is a perspective view thereof with the handle extended;
FIG. 17 is a right side with the handle shown in a closed configuration; and,
FIG. 18 is a perspective view in the open configuration.
The broken lines shown in the drawings illustrate portions of the trunk and form no part of the claimed design.

(30) **Foreign Application Priority Data**

Jun. 3, 2014 (EM) 002475814

(51) **LOC (10) Cl.** **03-01**

(52) **U.S. Cl.**
USPC **D3/279; D3/284; D3/294; D3/905**

(58) **Field of Classification Search**
USPC D3/905, 276, 279–284, 291, 294, 295, D3/298, 901, 302, 272, 273, 274, 903; 206/372–379, 508; 220/523–528, 826, 220/844
CPC B25H 3/02; B25H 3/021; B25H 3/022; B25H 3/023; B25H 3/025; B25H 3/026; B25H 3/027; B25H 3/028; B25H 3/00; B25H 3/003; B25H 3/006

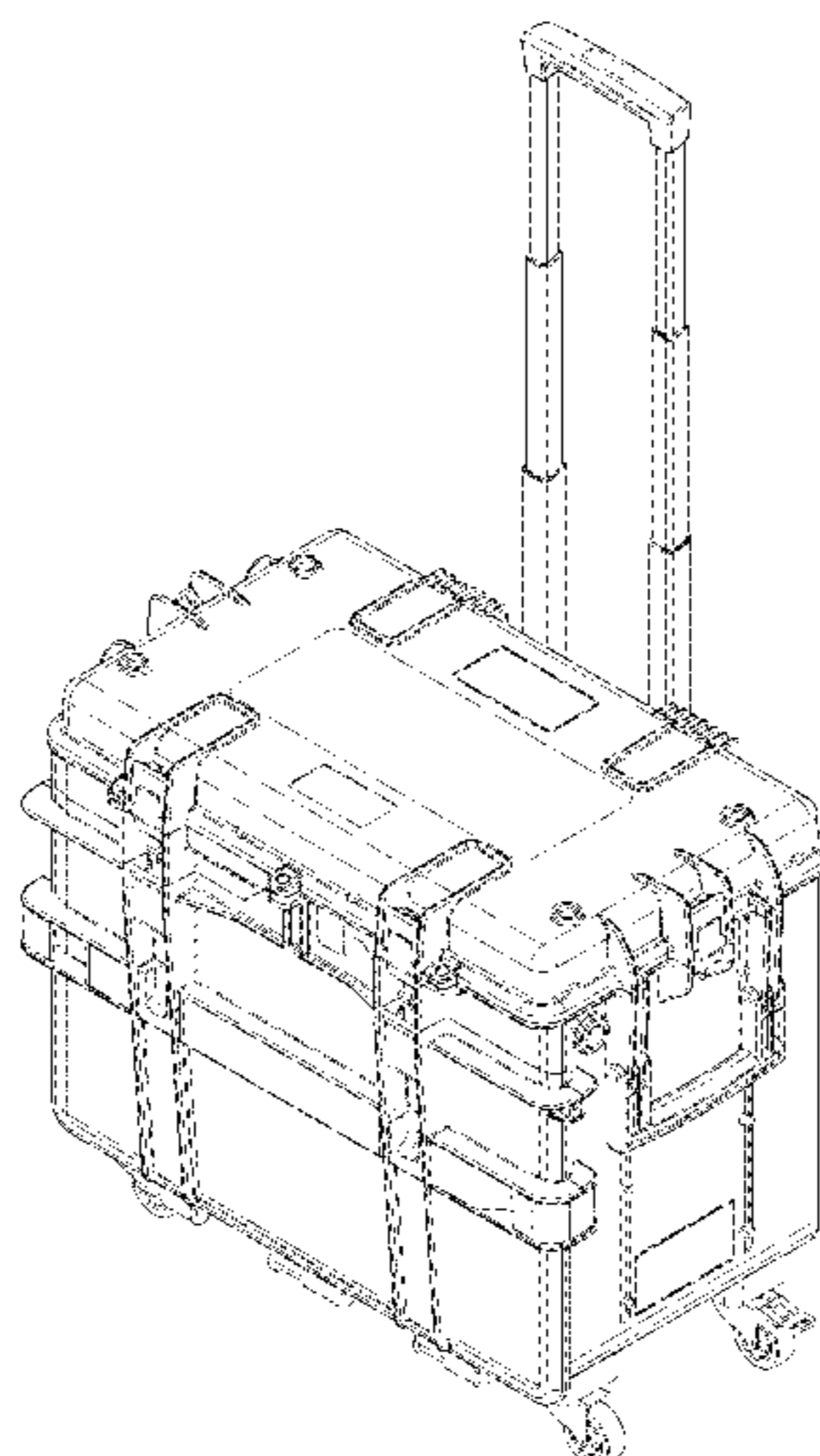
See application file for complete search history.

(56) **References Cited**

U.S. PATENT DOCUMENTS

D441,954 S * 5/2001 Parker D3/273
D454,430 S * 3/2002 Sijmons D3/279

1 Claim, 18 Drawing Sheets



(56)

References Cited

U.S. PATENT DOCUMENTS

6,761,366 B1	7/2004	Klemmensen et al.				
D523,242 S *	6/2006	Hardigg	D3/276			
D607,207 S *	1/2010	Horiyama	D3/279			
D609,911 S *	2/2010	Twig	D3/279			
D649,350 S	11/2011	Shitrit				
D649,783 S	12/2011	Brunner				
D653,832 S	2/2012	Vilkomirski et al.				
D668,869 S	10/2012	Yamamoto et al.				
D693,121 S	11/2013	Bensman et al.				
D702,044 S	4/2014	Shitrit et al.				
D709,287 S	7/2014	Shitrit et al.				
D710,099 S	8/2014	Horovitz et al.				
D710,100 S	8/2014	Brunner				
D711,105 S	8/2014	Brunner				
				D718,051 S	11/2014	Frahm et al.
				D724,320 S *	3/2015	Russell
				D728,934 S	5/2015	Brunner
				D742,640 S *	11/2015	Sabbag
				2002/0117414 A1 *	8/2002	Kipper
						B25H 3/023
						206/373
				2002/0125159 A1 *	9/2002	Hann
						B25H 3/021
						206/372
				2004/0134818 A1 *	7/2004	Cunningham
						B25H 3/023
						206/373
				2009/0078593 A1 *	3/2009	Patstone
						F16B 12/44
						206/216
				2011/0127264 A1 *	6/2011	Whalen
						A45C 5/03
						220/203.01
				2014/0197059 A1 *	7/2014	Evans
						B25H 3/02
						206/349

* cited by examiner

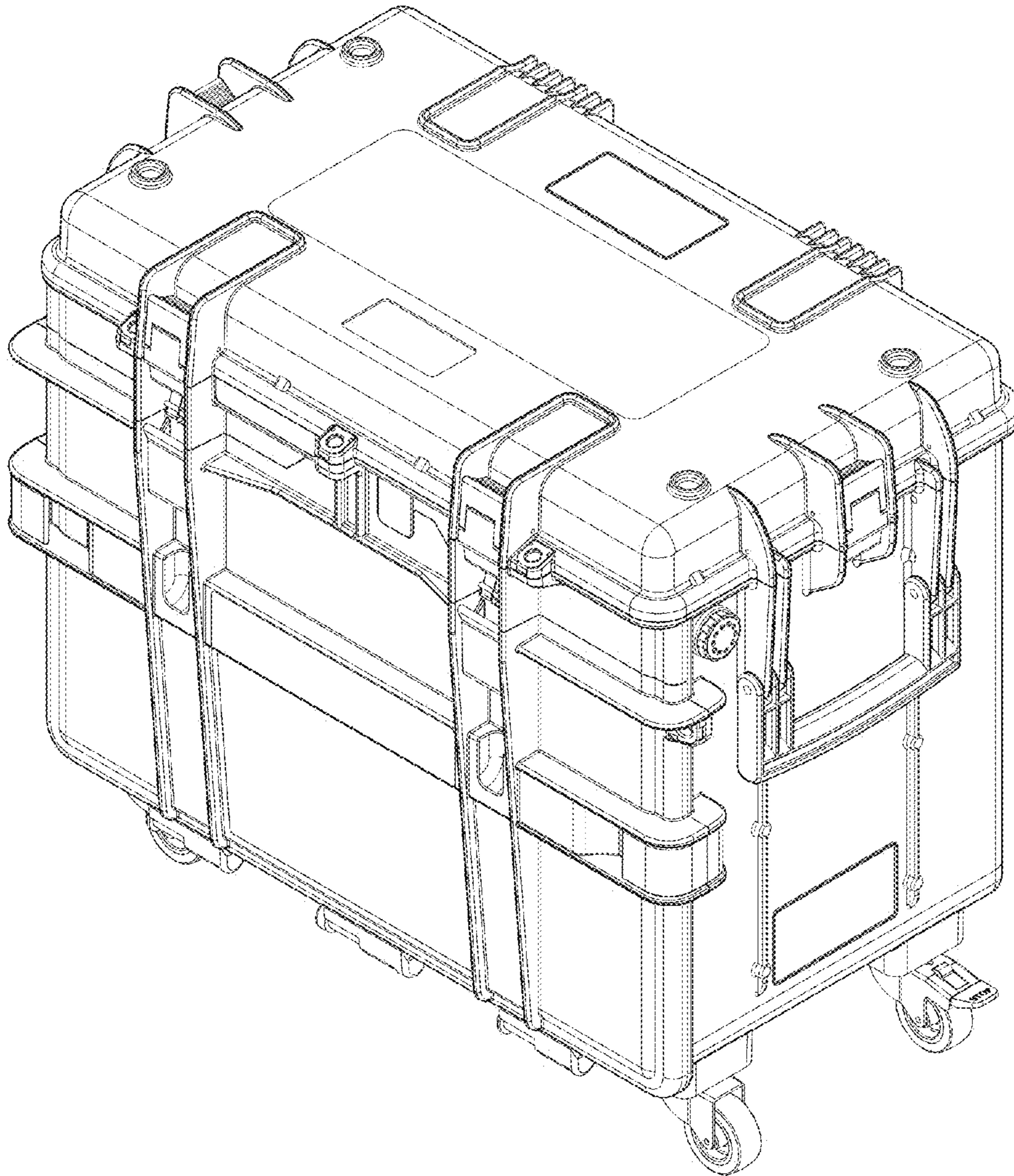


Fig. 1

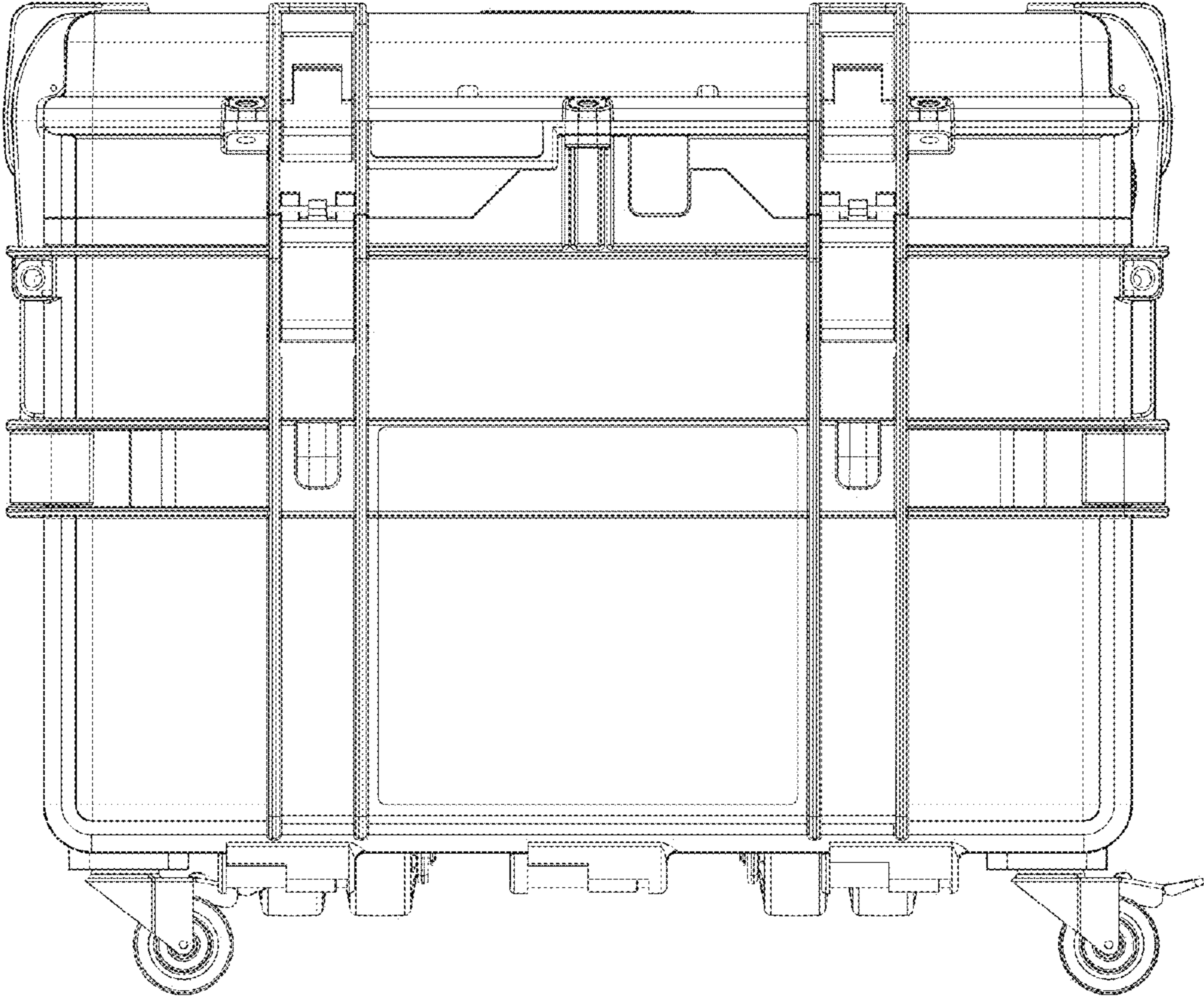


Fig. 2

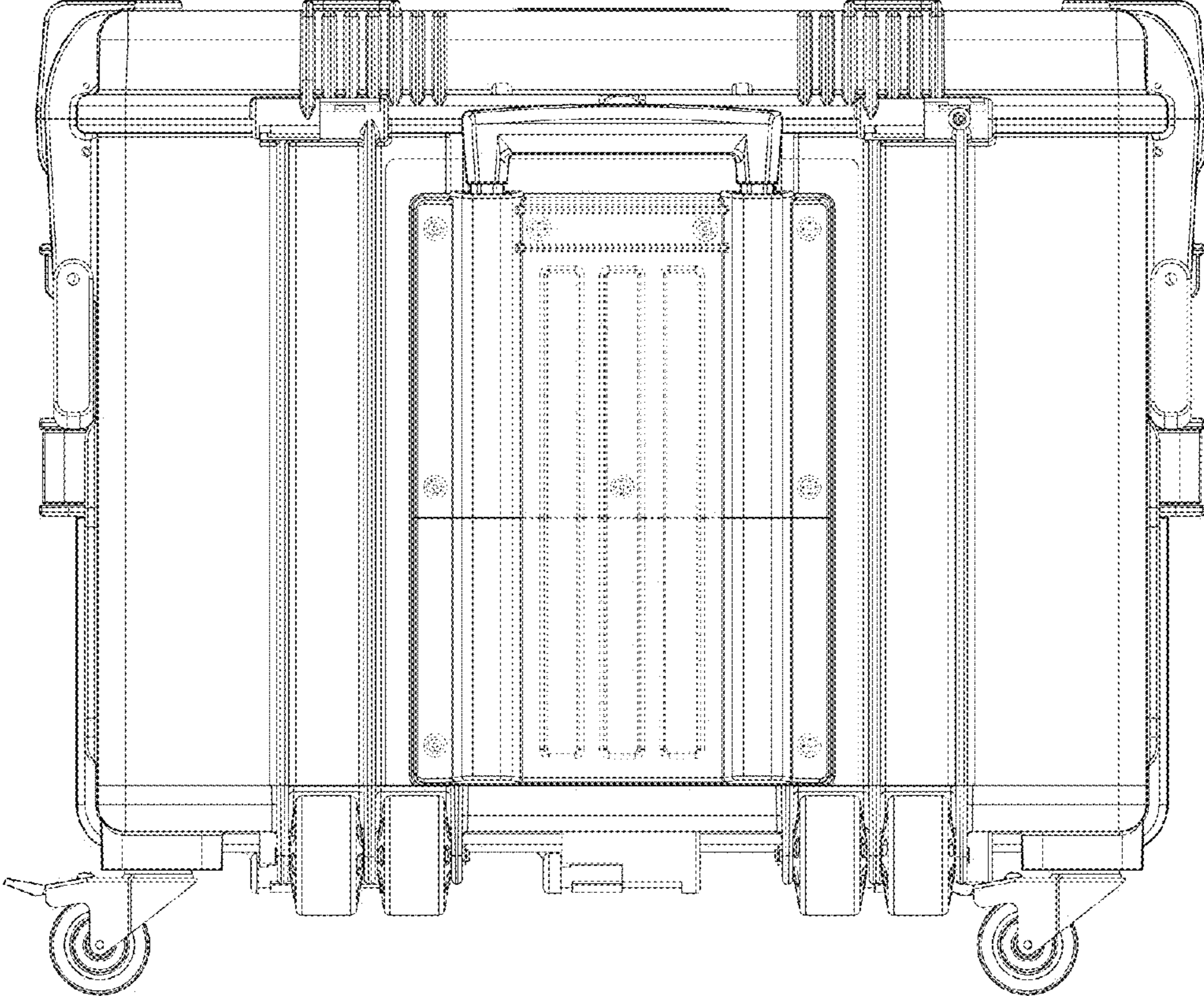


Fig. 3

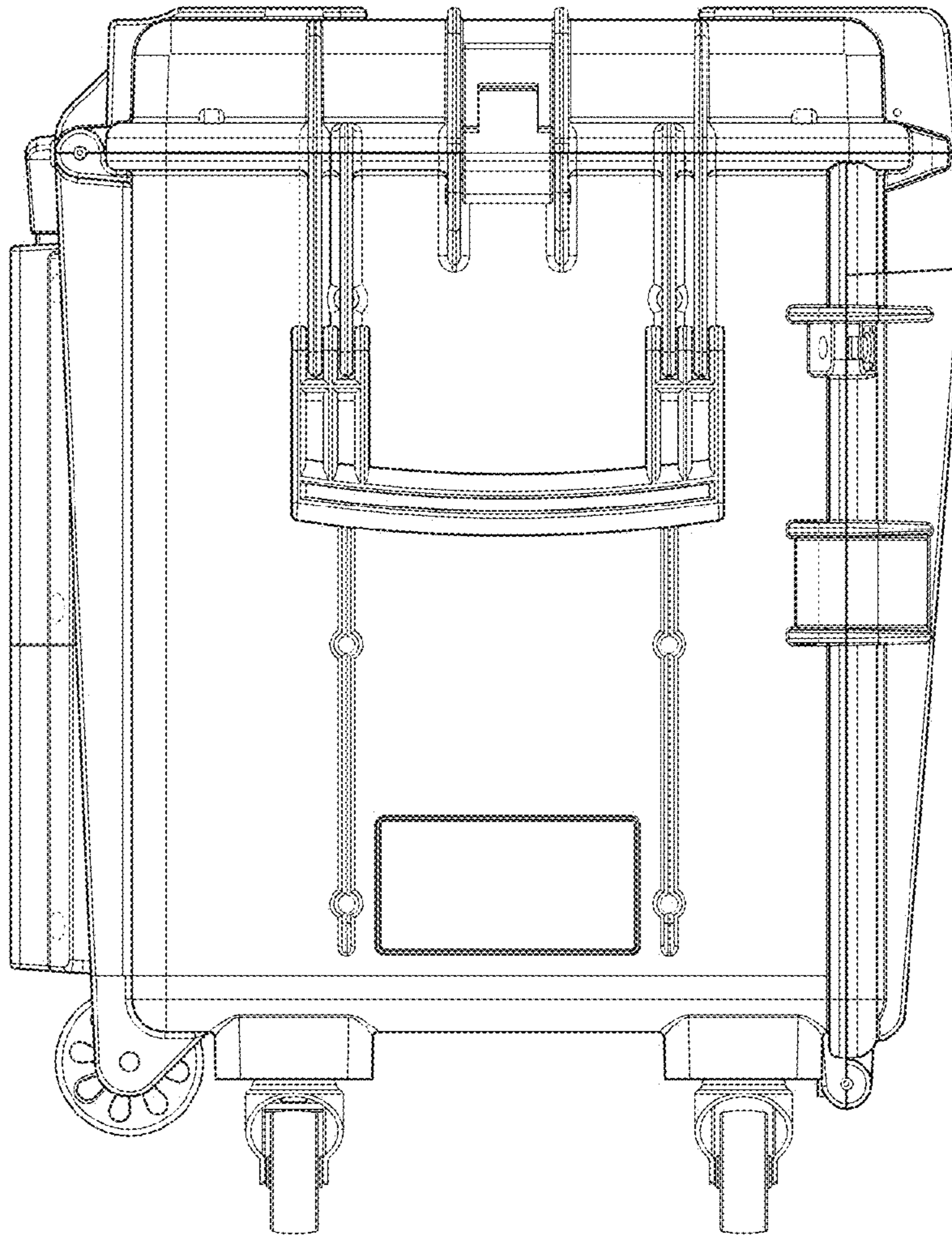


Fig. 4

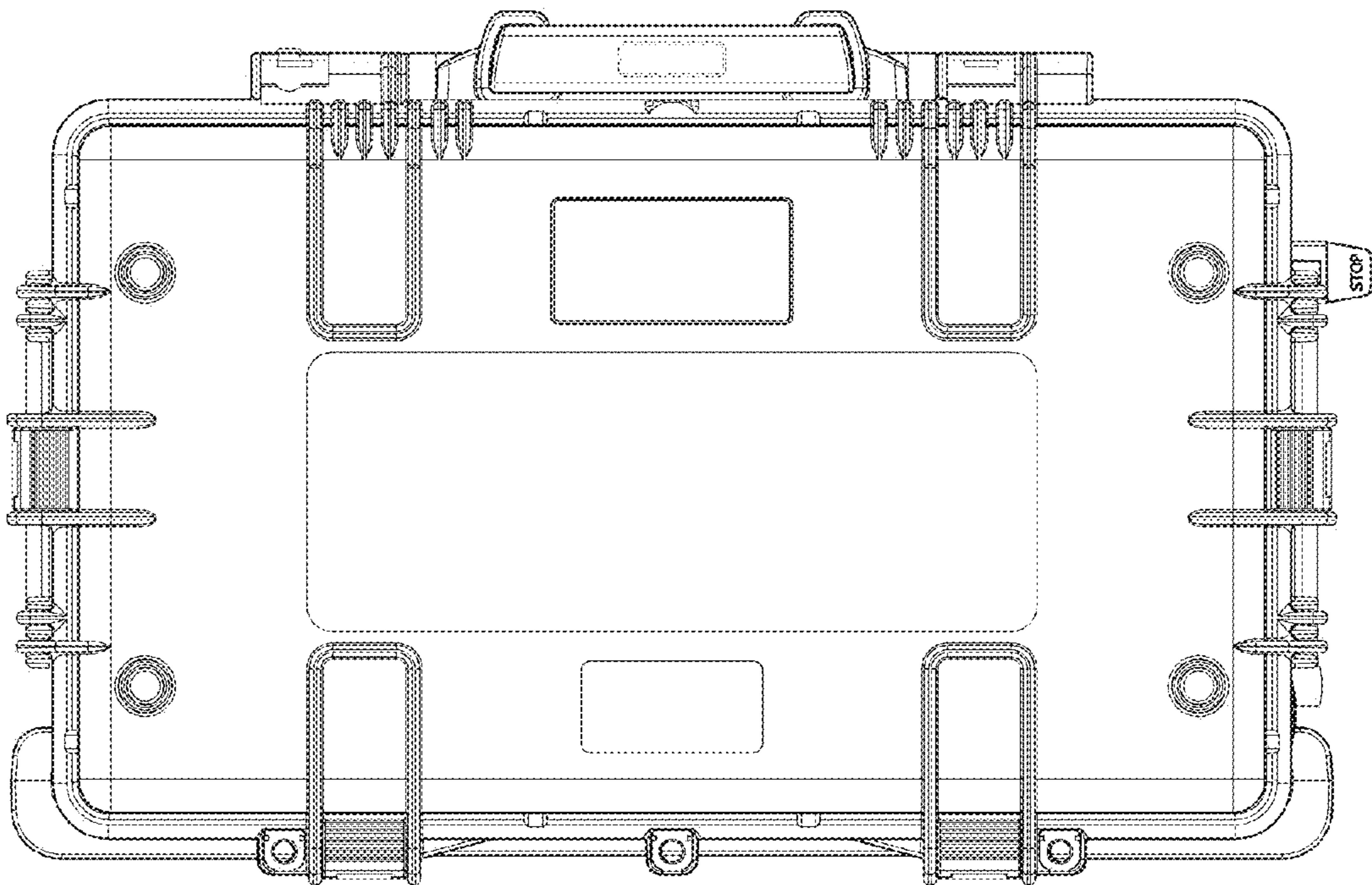


Fig. 5

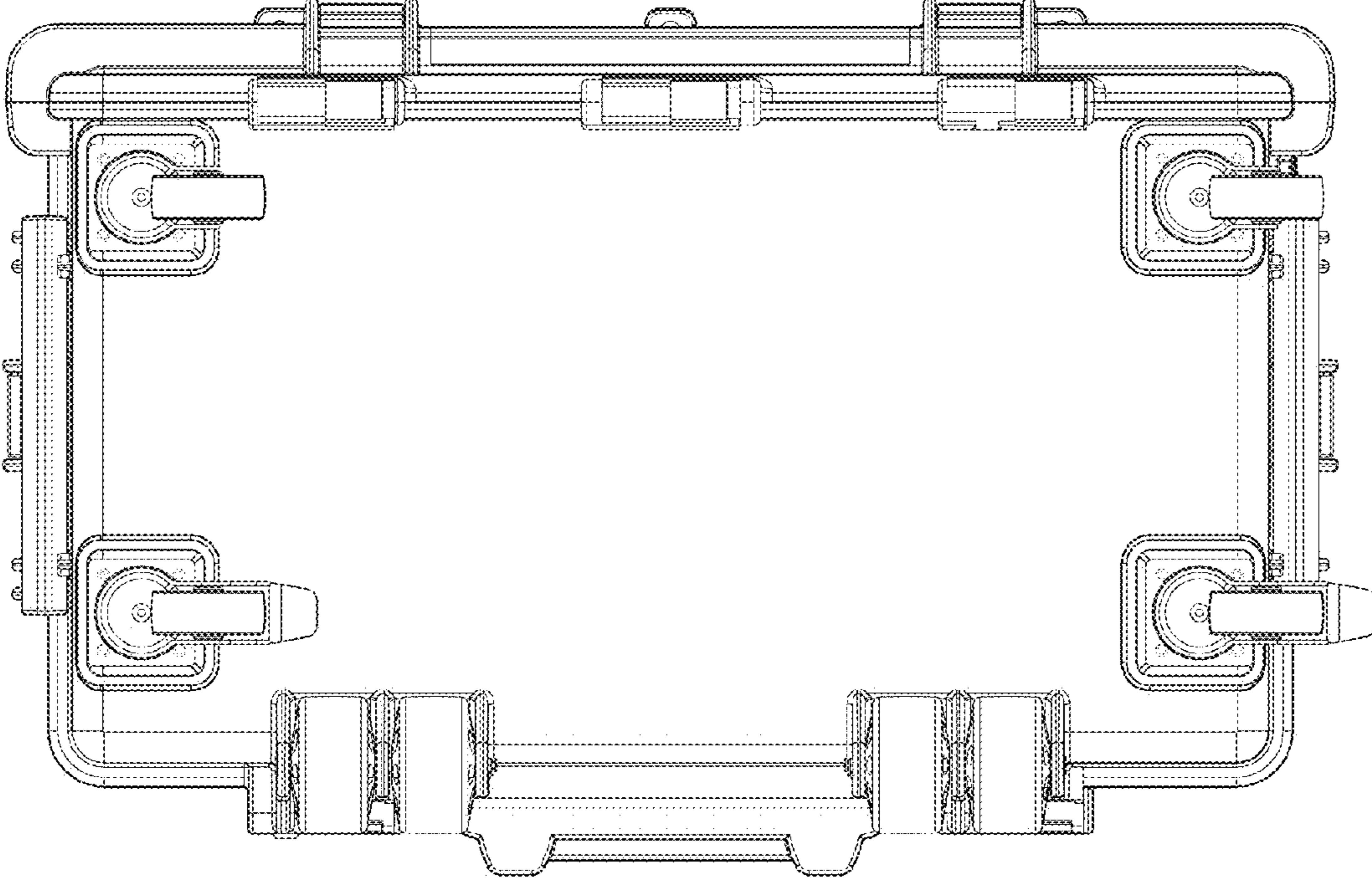


Fig. 6

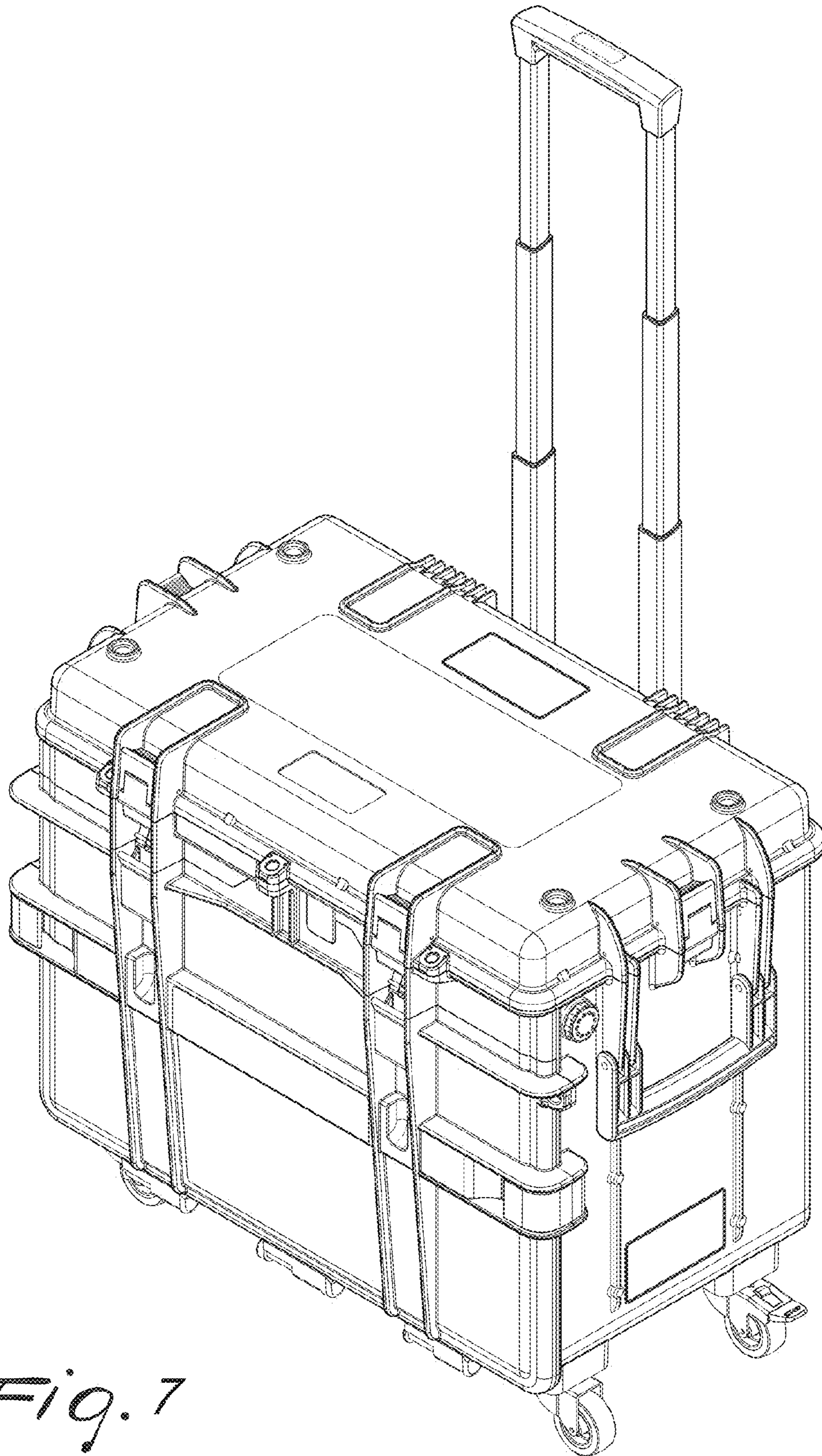


Fig. 7

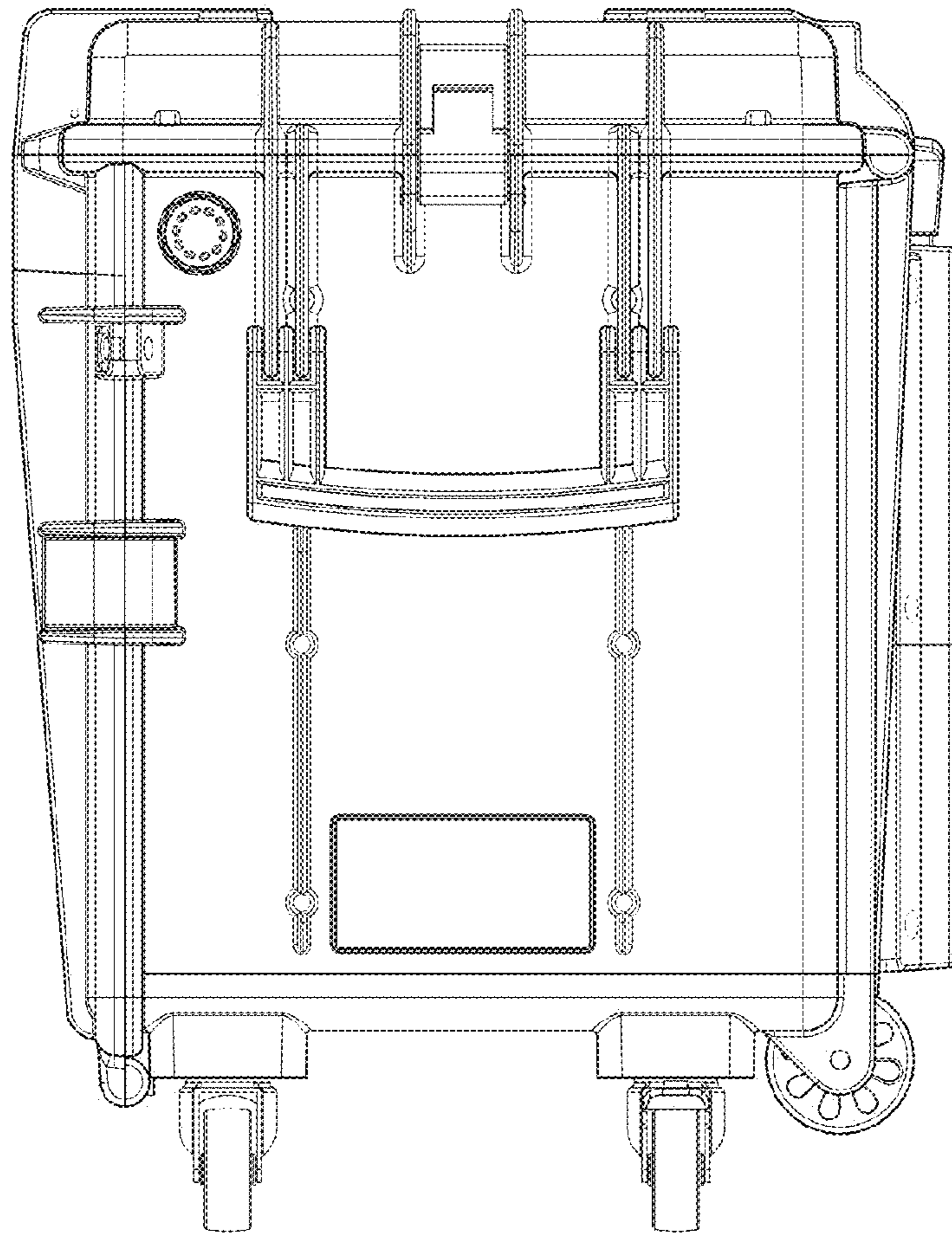


Fig. 8

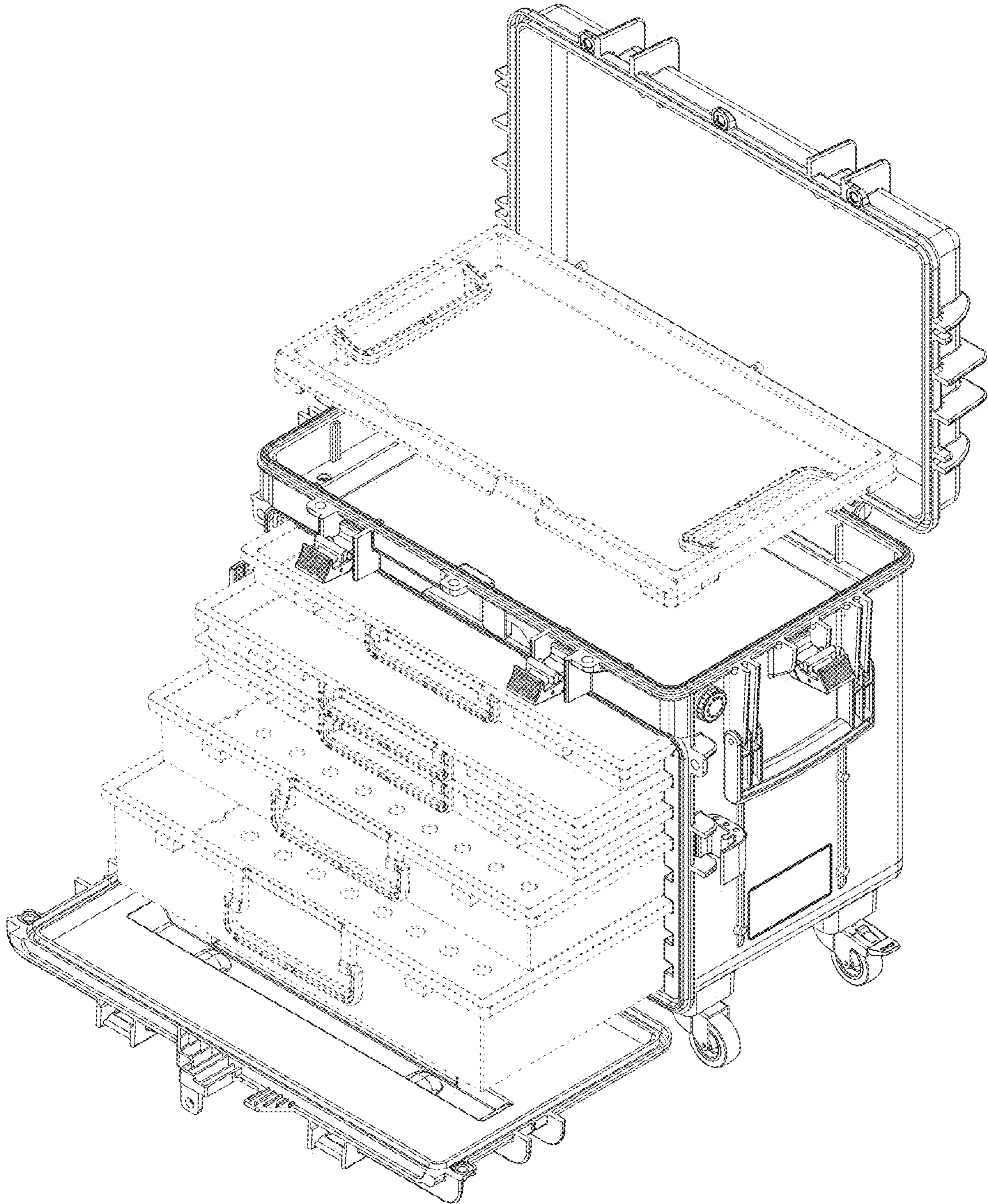


Fig. 9

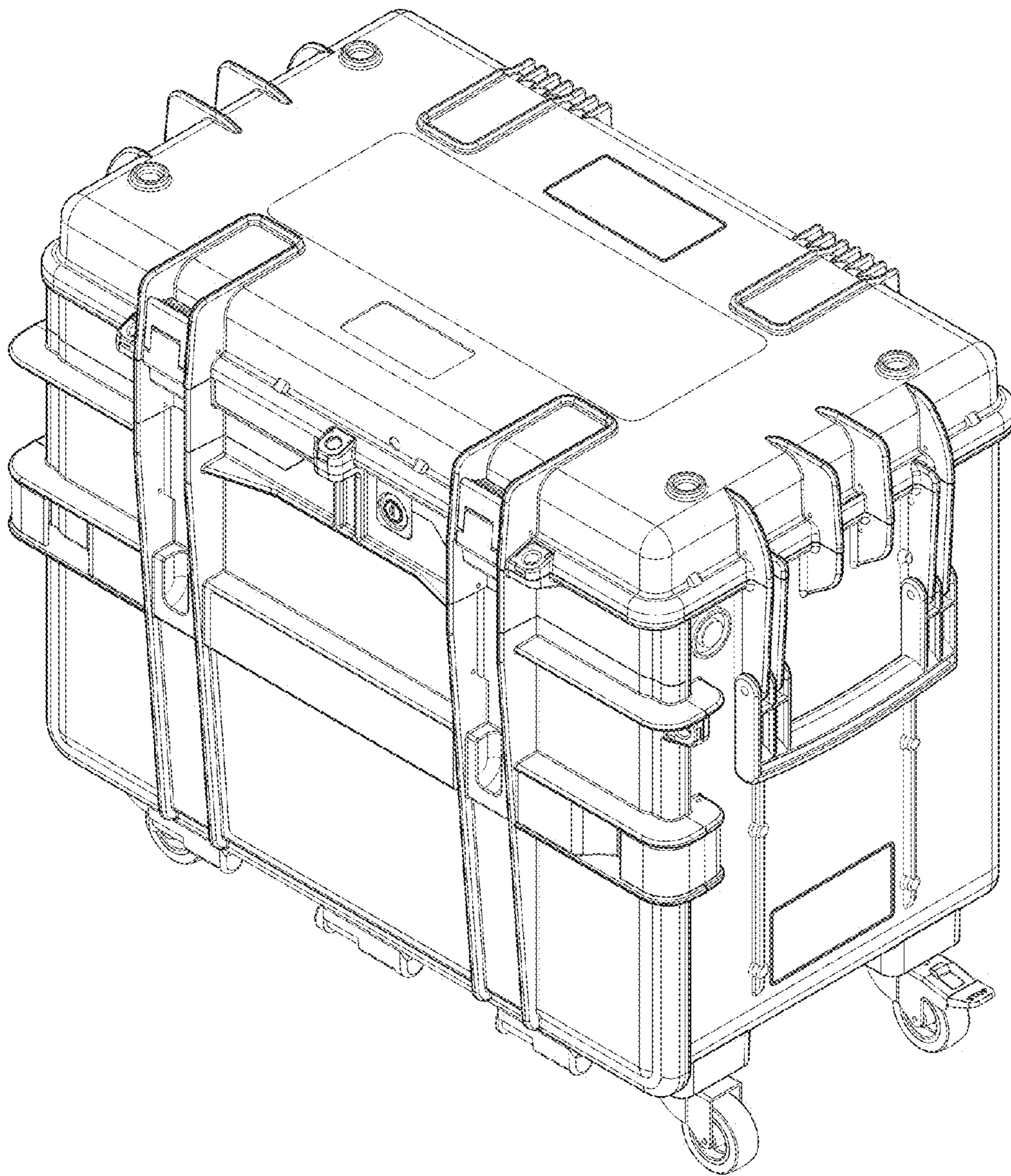


Fig. 10

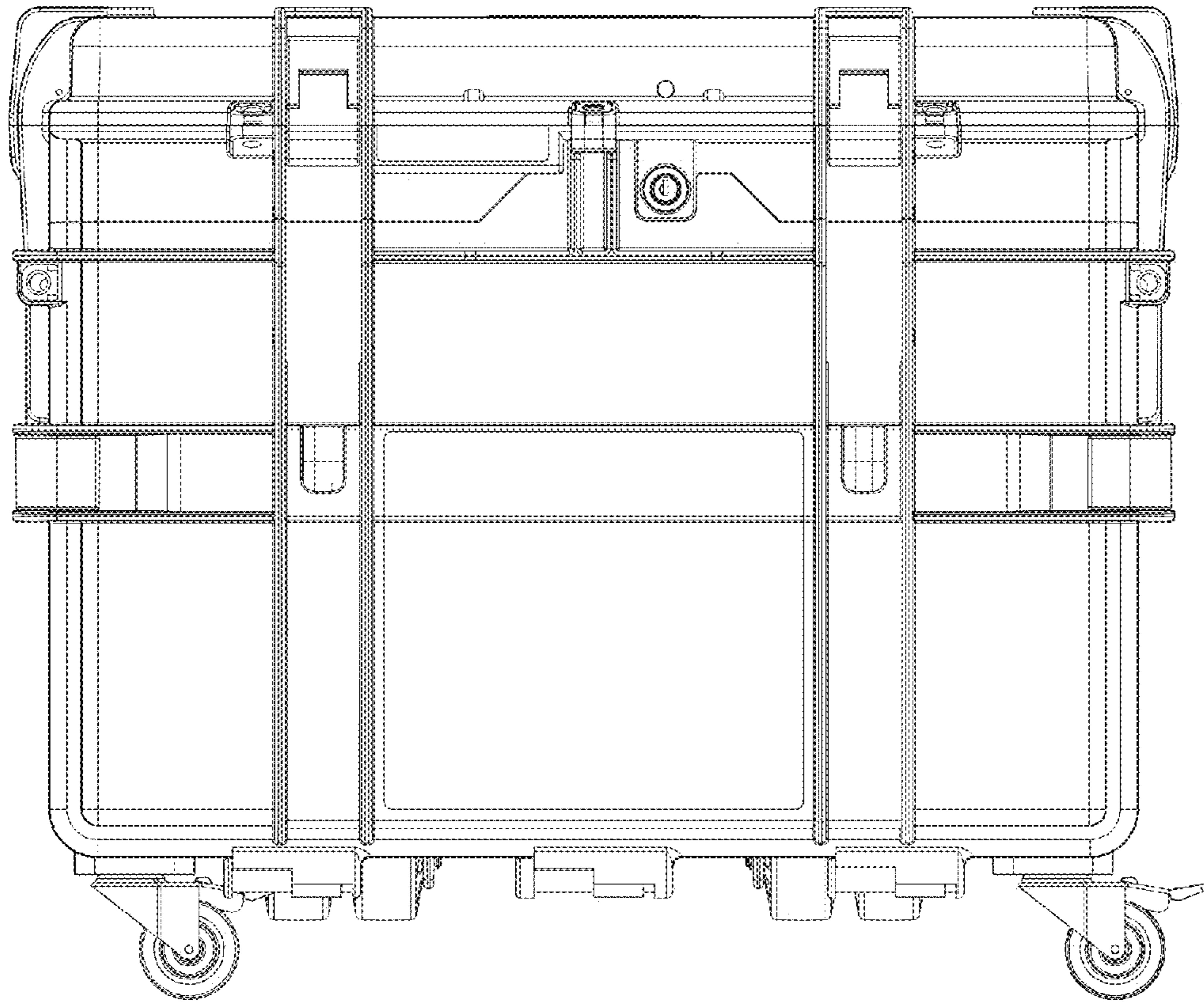


Fig. 11

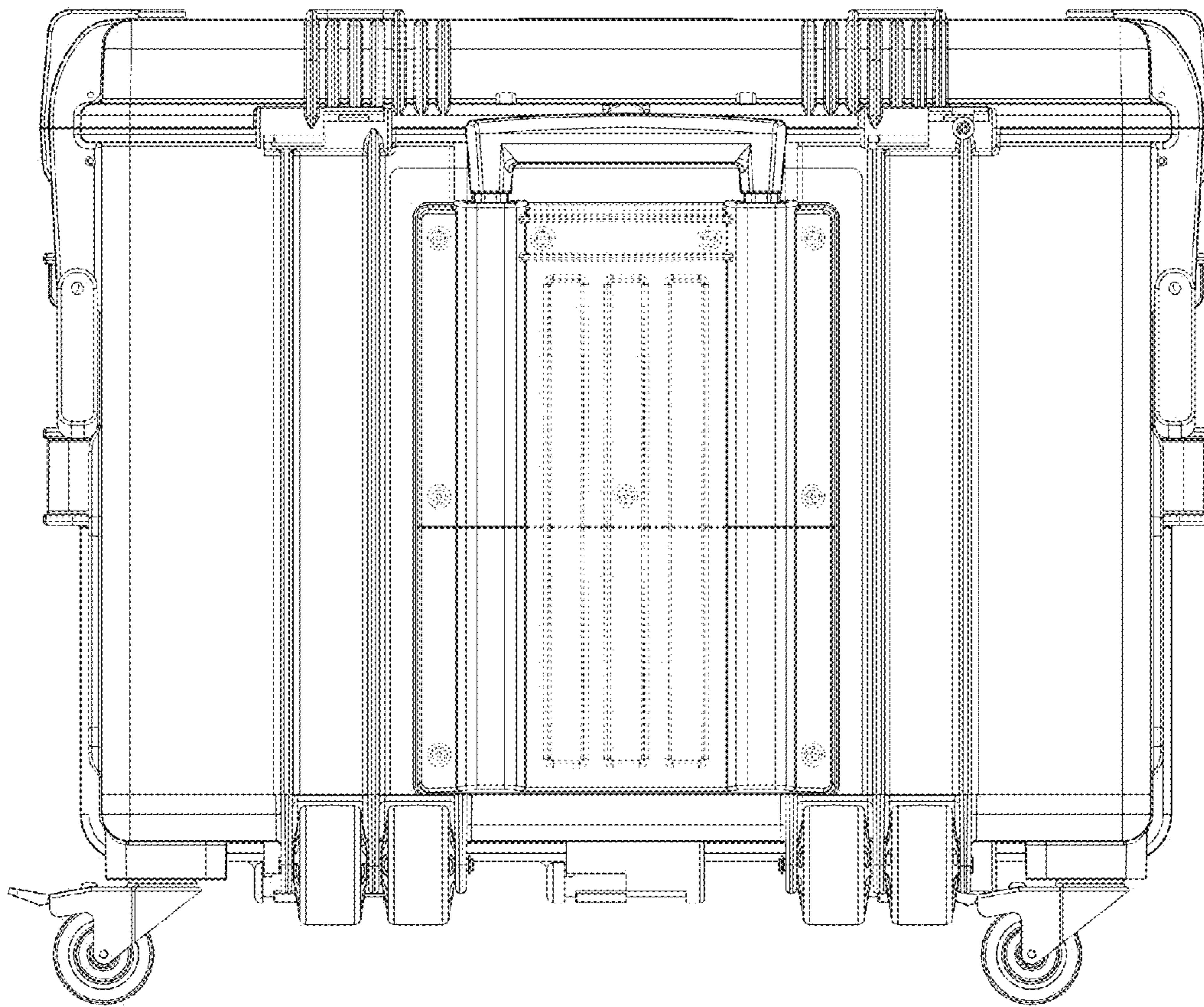


Fig. 12

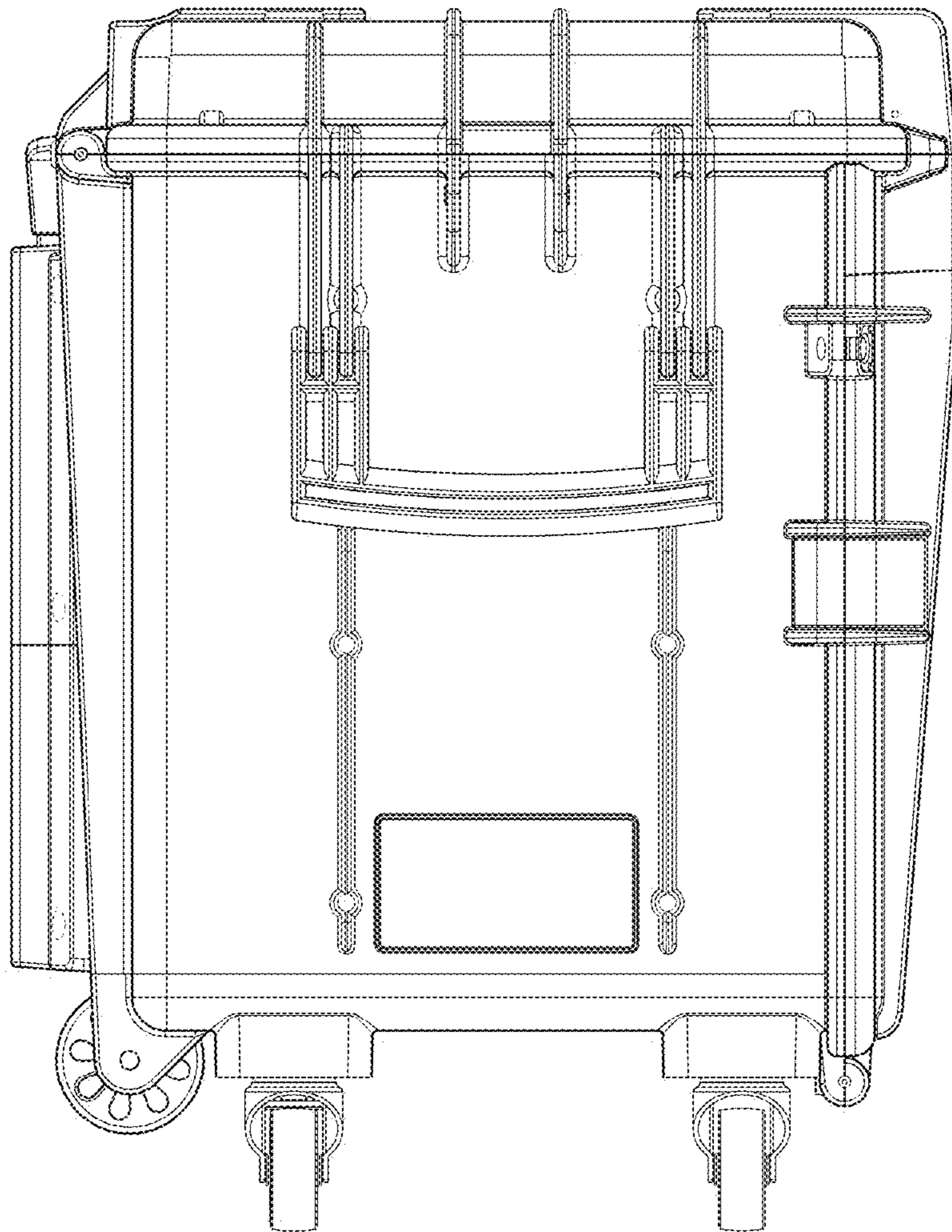


Fig. 13

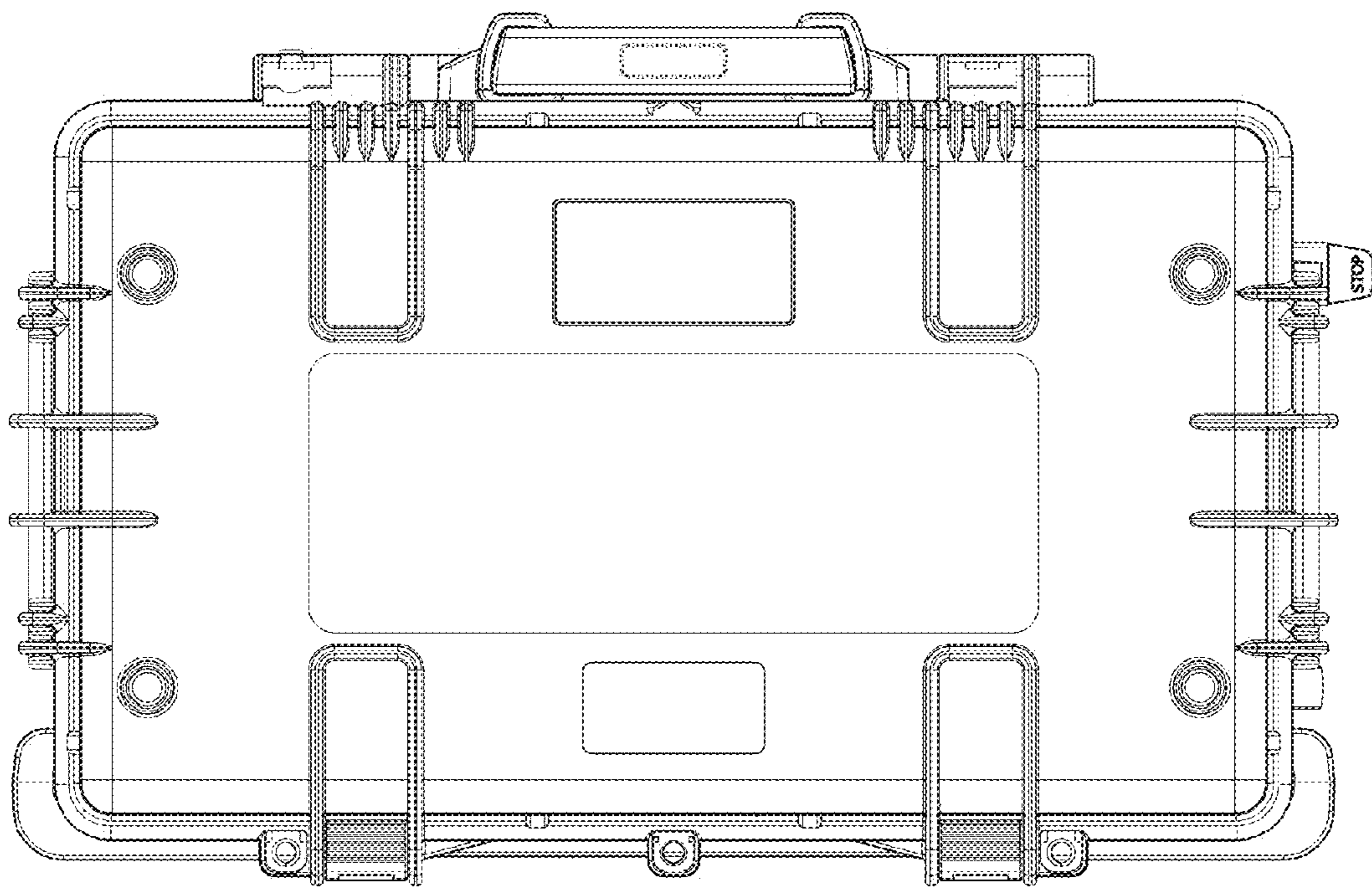


Fig. 14

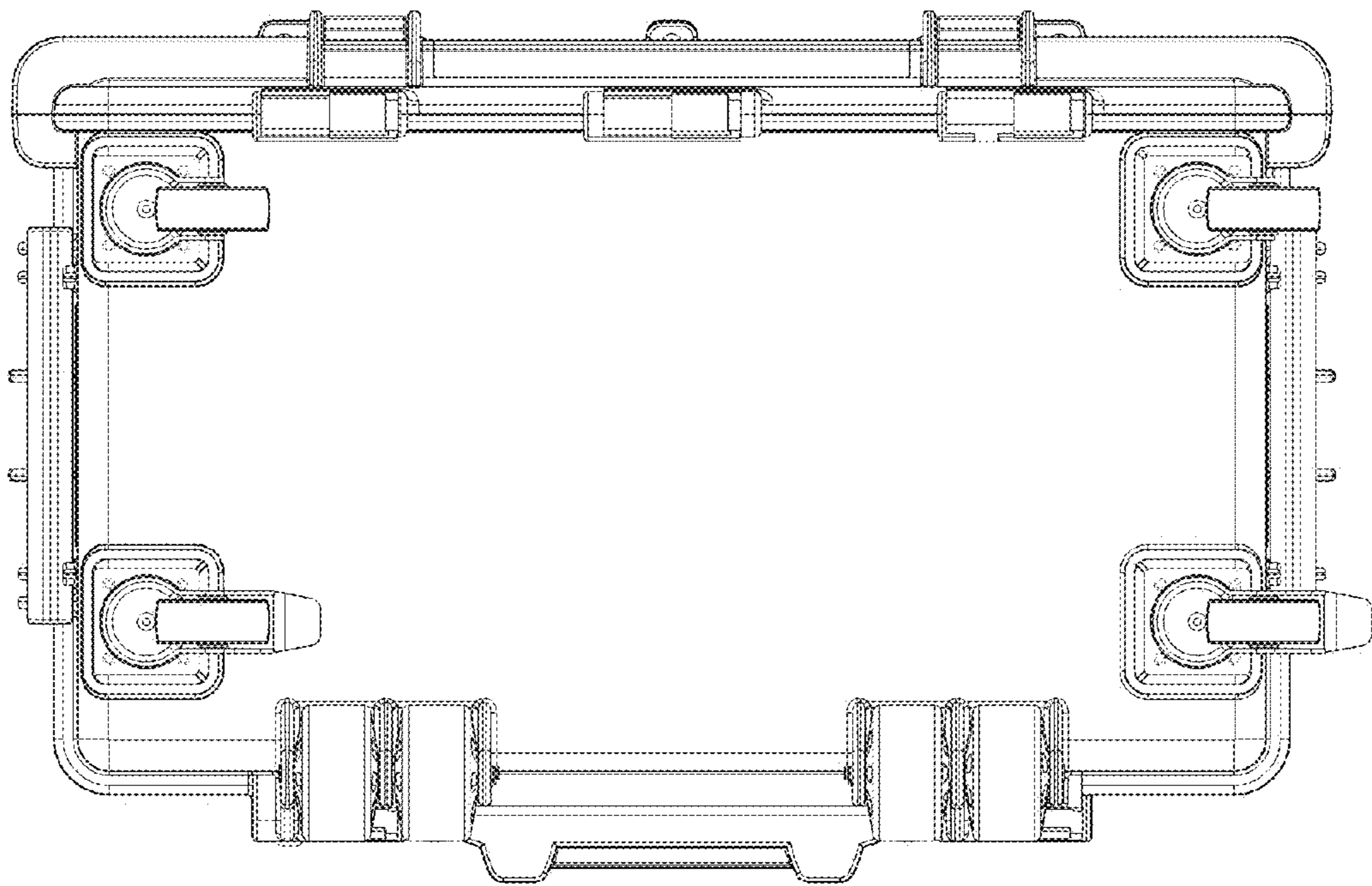


Fig. 15

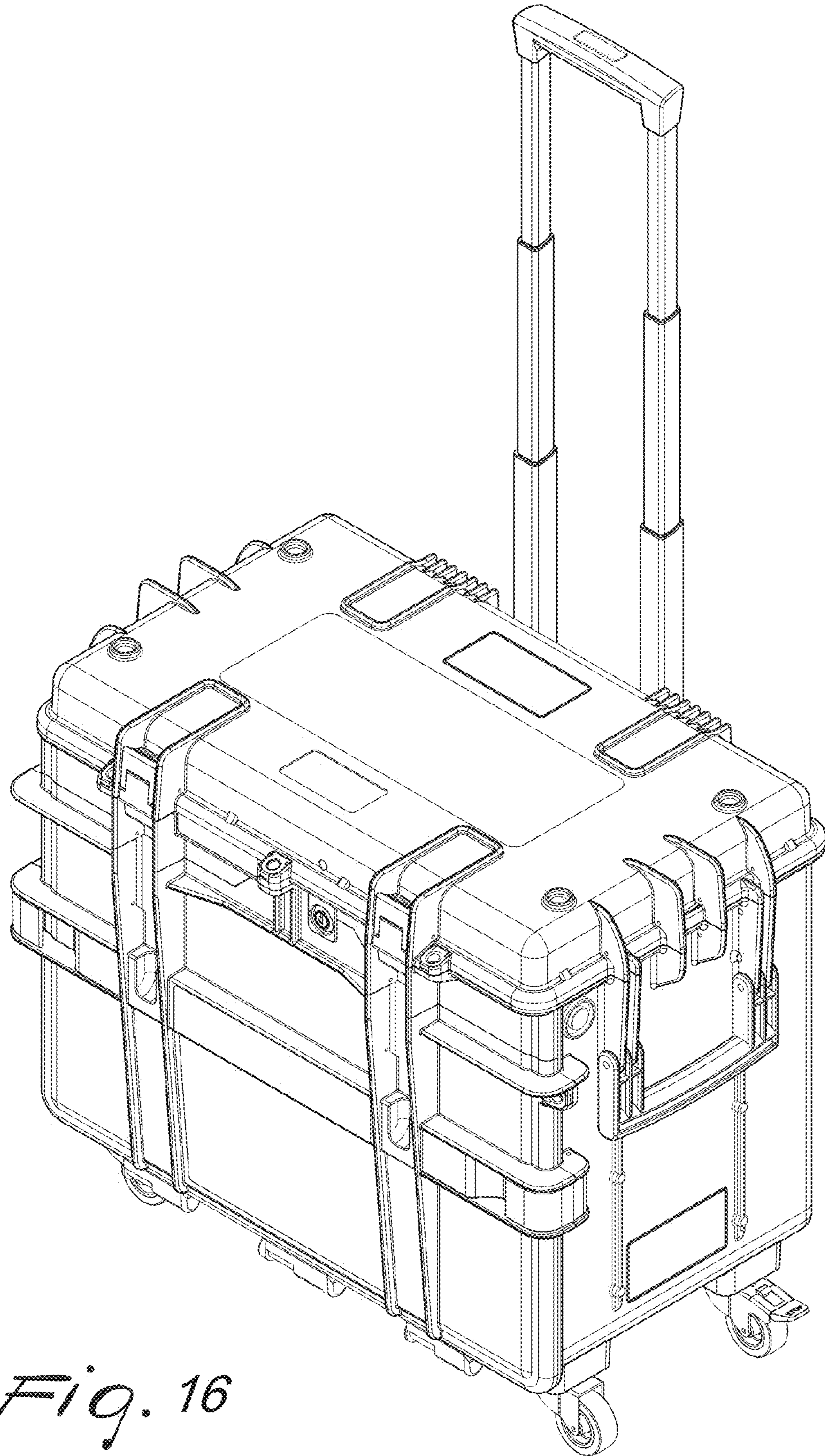


Fig. 16

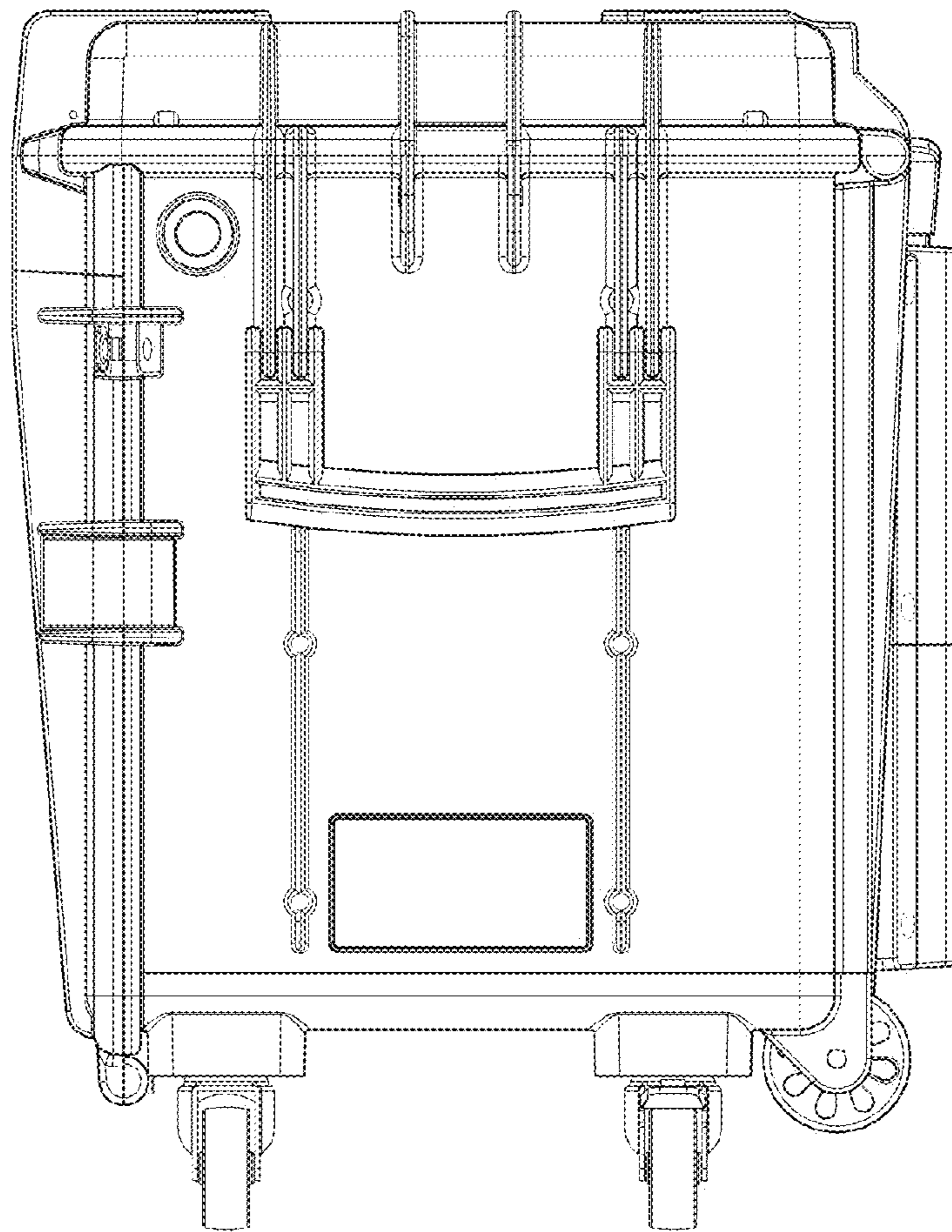


Fig. 17

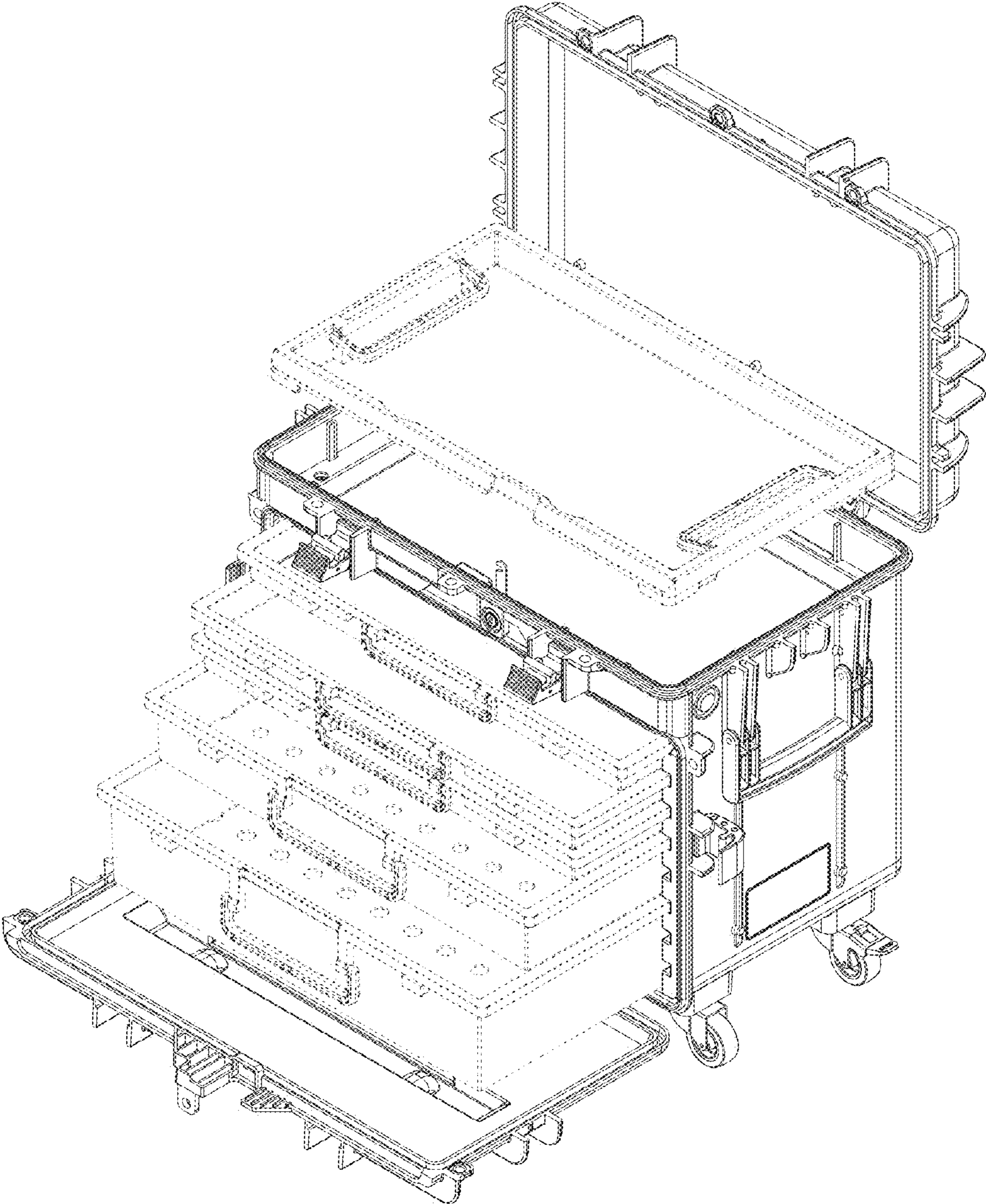


Fig. 18