



US00D765970S

(12) **United States Design Patent** (10) **Patent No.:** **US D765,970 S**  
**Pozdniakov** (45) **Date of Patent:** **\*\* Sep. 13, 2016**

(54) **PURSE**

*Primary Examiner* — Holly Baynham

(71) Applicant: **Dianna Pozdniakov**, Lewiston, ME  
(US)

(74) *Attorney, Agent, or Firm* — Howard Eichenblatt Esq.

(72) Inventor: **Dianna Pozdniakov**, Lewiston, ME  
(US)

(57) **CLAIM**

The ornamental design for a purse, as shown and described.

(\*\*) Term: **14 Years**

(21) Appl. No.: **29/523,264**

**DESCRIPTION**

(22) Filed: **Apr. 8, 2015**

(51) **LOC (10) Cl.** ..... **03-01**

FIG. 1 is a perspective view of a purse;

(52) **U.S. Cl.**  
USPC ..... **D3/243**

FIG. 2 is side elevational view of the purse of FIG. 1, the opposite side being a mirror image;

(58) **Field of Classification Search**  
USPC ..... D3/232–233, 240–243, 245–246  
CPC ..... A45C 1/024; A45C 3/08  
See application file for complete search history.

FIG. 3 is a side view of the purse of FIG. 1, the opposite side being a mirror image;

FIG. 4 is a top view of the purse of FIG. 1;

(56) **References Cited**

FIG. 5 is a bottom perspective view of the purse of FIG. 1;  
and,

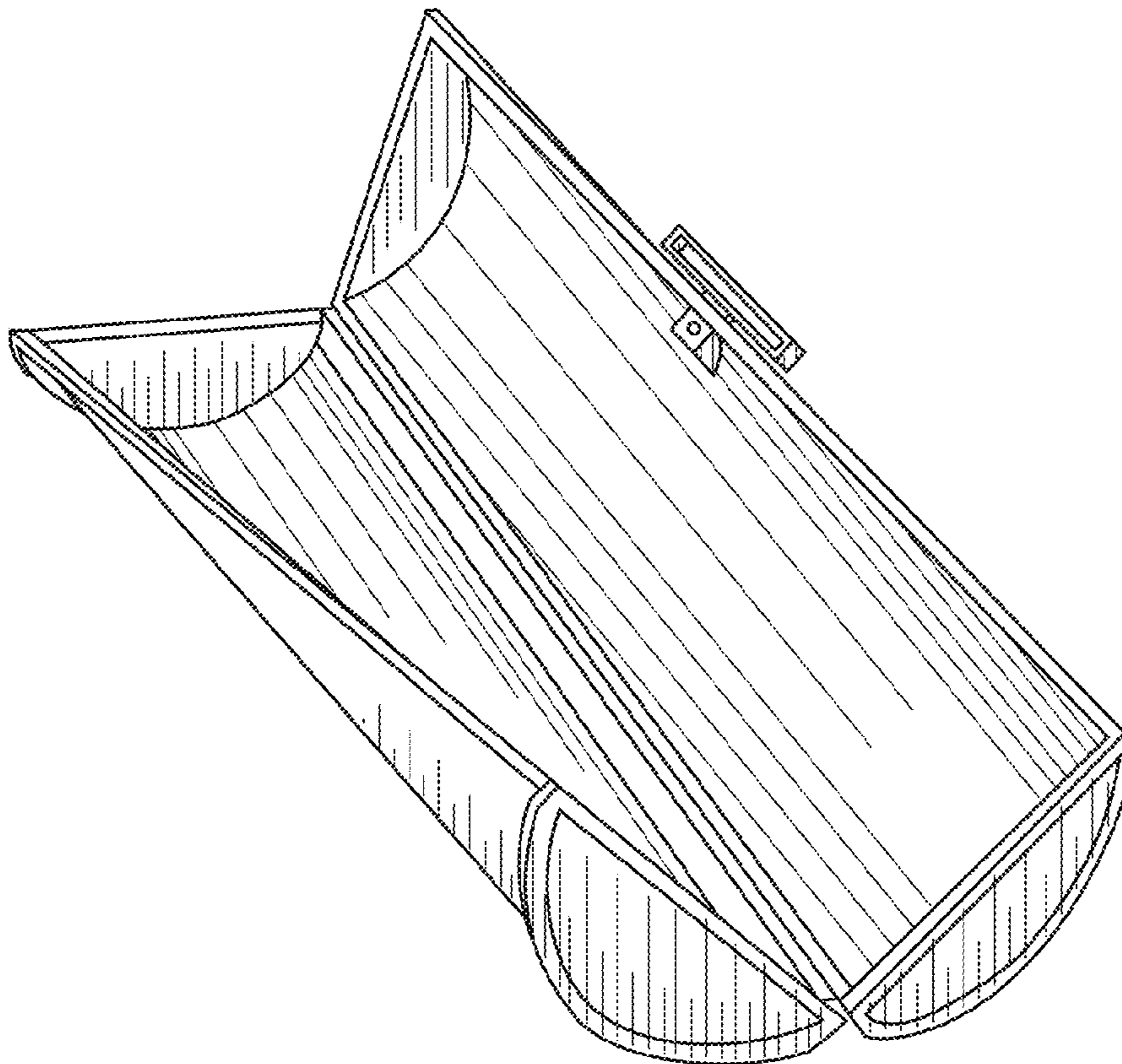
**U.S. PATENT DOCUMENTS**

FIG. 6 is a front view of the purse of FIG. 1, the opposite side being a mirror image.

D485,680 S \* 1/2004 Hasenfrantz ..... D3/215  
D707,062 S \* 6/2014 Fraioli ..... D3/233

\* cited by examiner

**1 Claim, 2 Drawing Sheets**



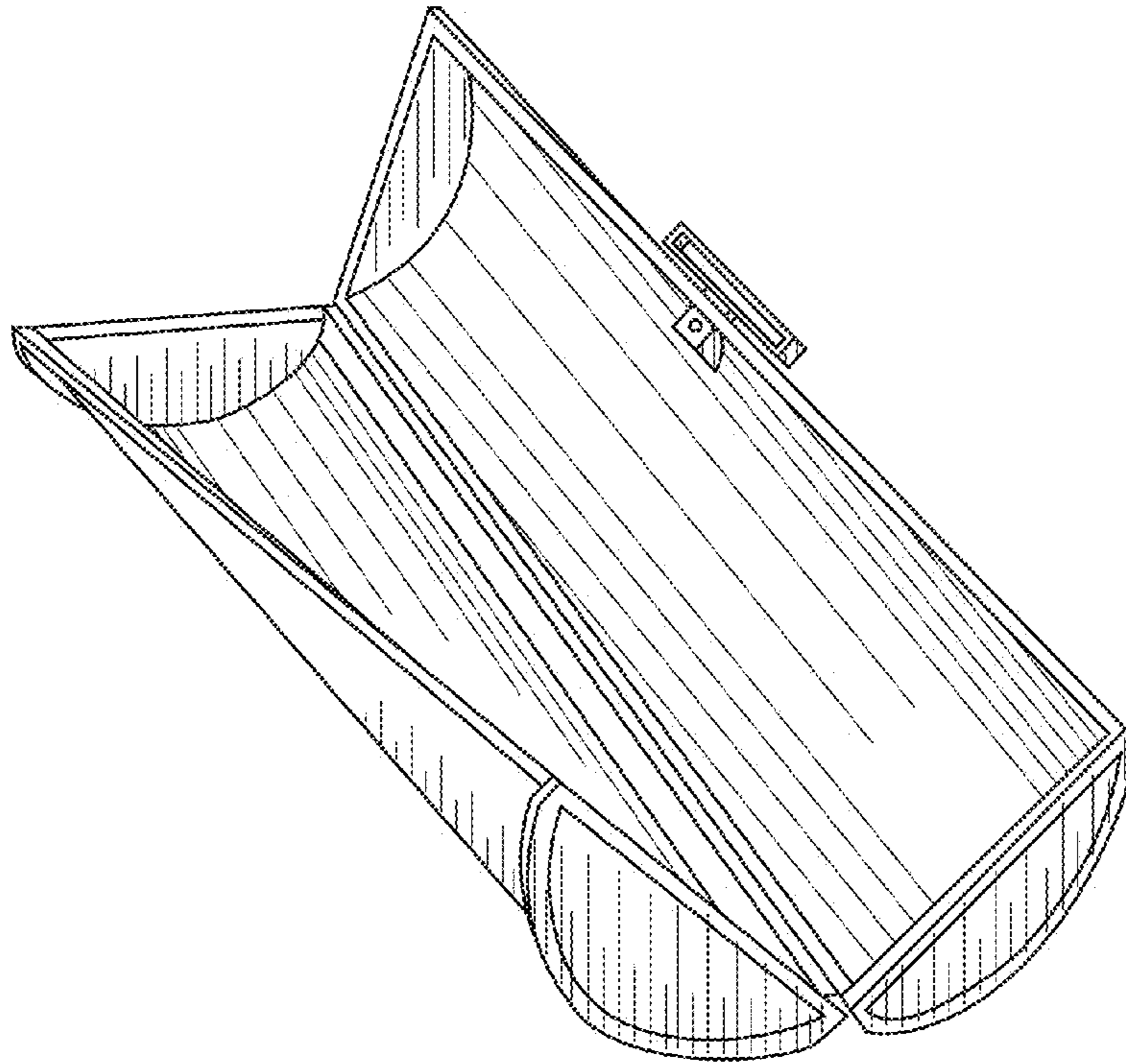


Fig. 1

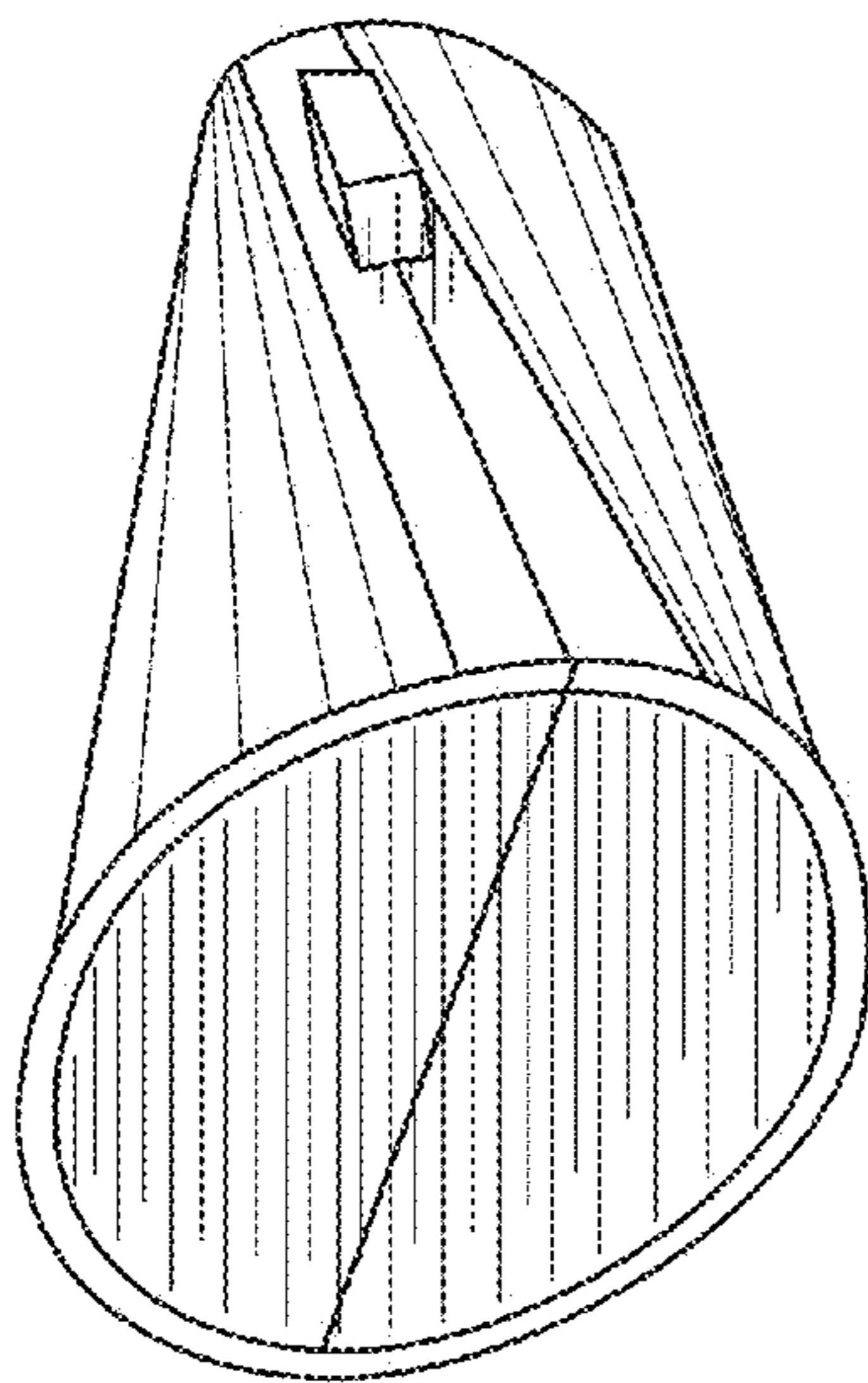


Fig. 2

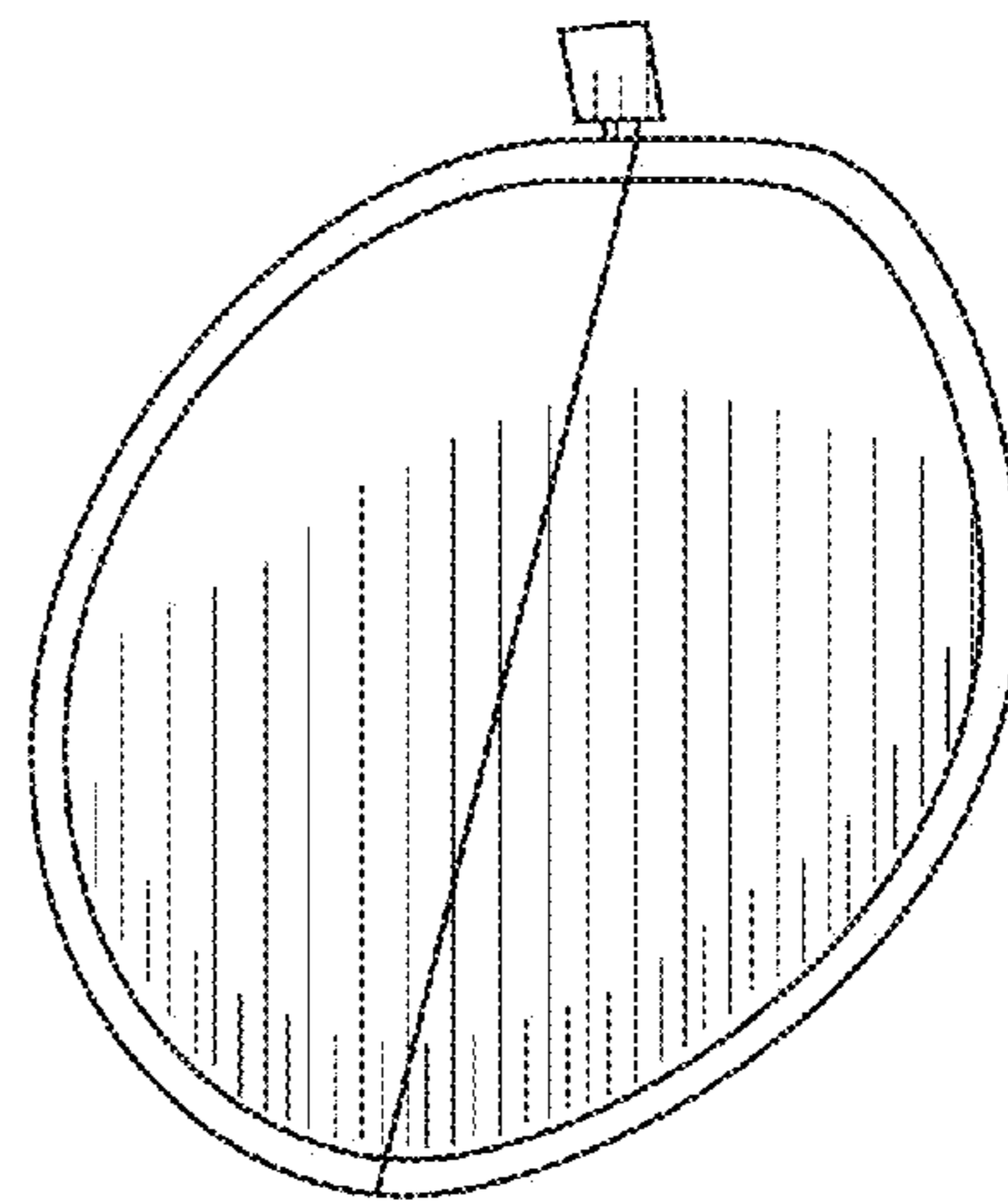


Fig. 3

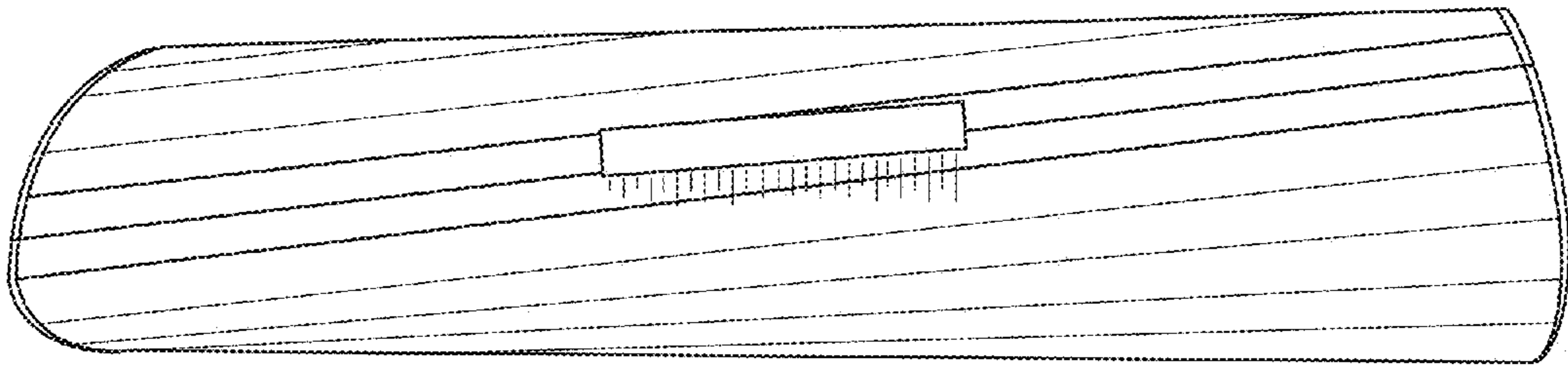


Fig. 4

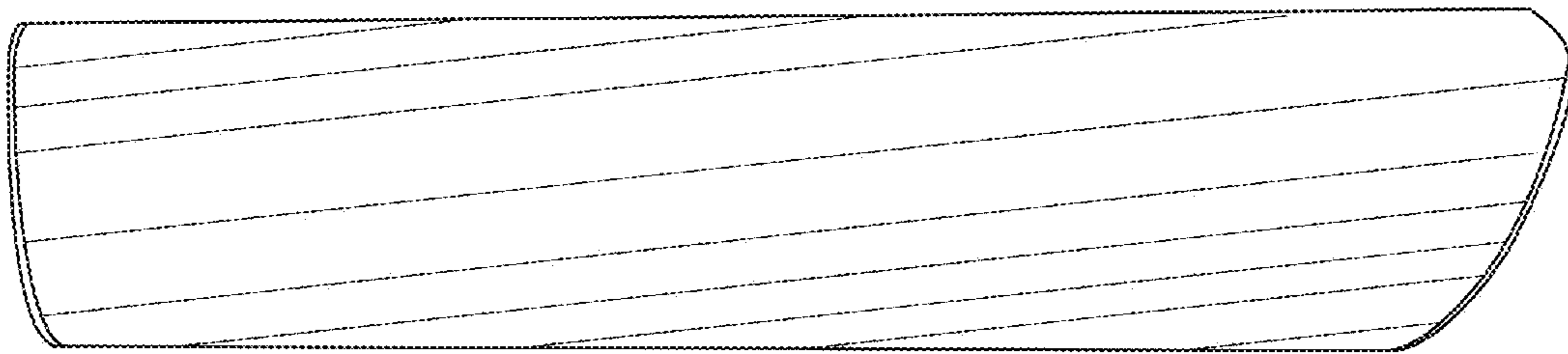


Fig. 5

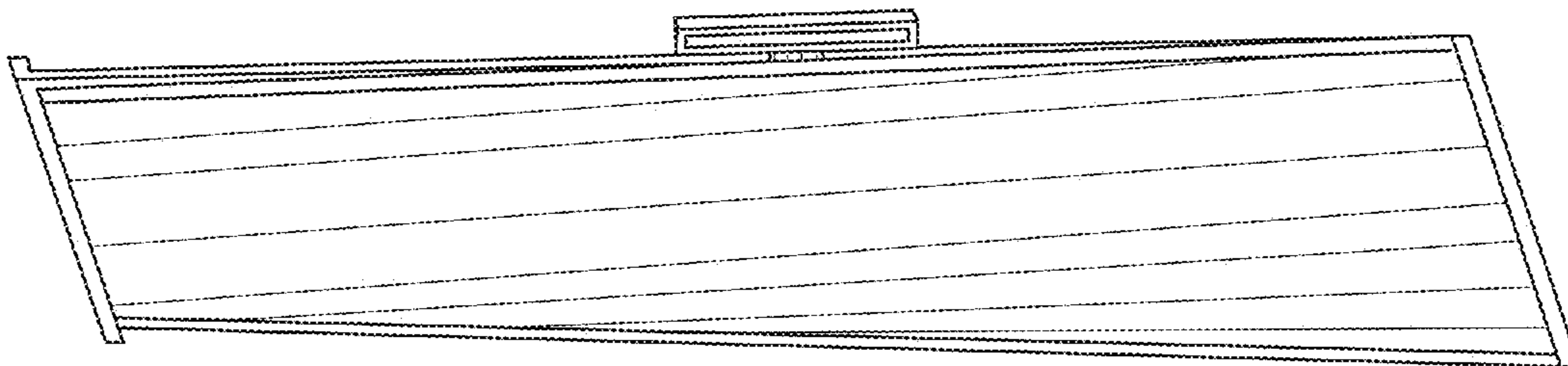


Fig. 6