



US00D765968S

(12) **United States Design Patent** (10) **Patent No.:** **US D765,968 S**  
**Becklund** (45) **Date of Patent:** **\*\* Sep. 13, 2016**

(54) **BAG**  
(71) Applicant: **Ninette Awad Becklund**, Oldsmar, FL (US)  
(72) Inventor: **Ninette Awad Becklund**, Oldsmar, FL (US)  
(\*\*) Term: **15 Years**  
(21) Appl. No.: **29/528,074**  
(22) Filed: **May 26, 2015**  
(51) **LOC (10) Cl.** ..... **03-01**  
(52) **U.S. Cl.**  
USPC ..... **D3/232**  
(58) **Field of Classification Search**  
USPC ..... D3/232-233, 240-243, 245-246  
CPC ..... A45C 1/024; A45C 3/06  
See application file for complete search history.

(56) **References Cited**  
U.S. PATENT DOCUMENTS  
D436,437 S \* 1/2001 Guyon ..... D3/232  
D621,153 S \* 8/2010 Parsley ..... D3/232  
D662,708 S \* 7/2012 Mailet ..... D3/232  
D693,117 S \* 11/2013 Maier ..... D3/232  
D742,635 S \* 11/2015 Coleman ..... D3/232

\* cited by examiner

*Primary Examiner* — Holly Baynham  
(74) *Attorney, Agent, or Firm* — Allen Dyer Doppelt  
Milbrath & Gilchrist

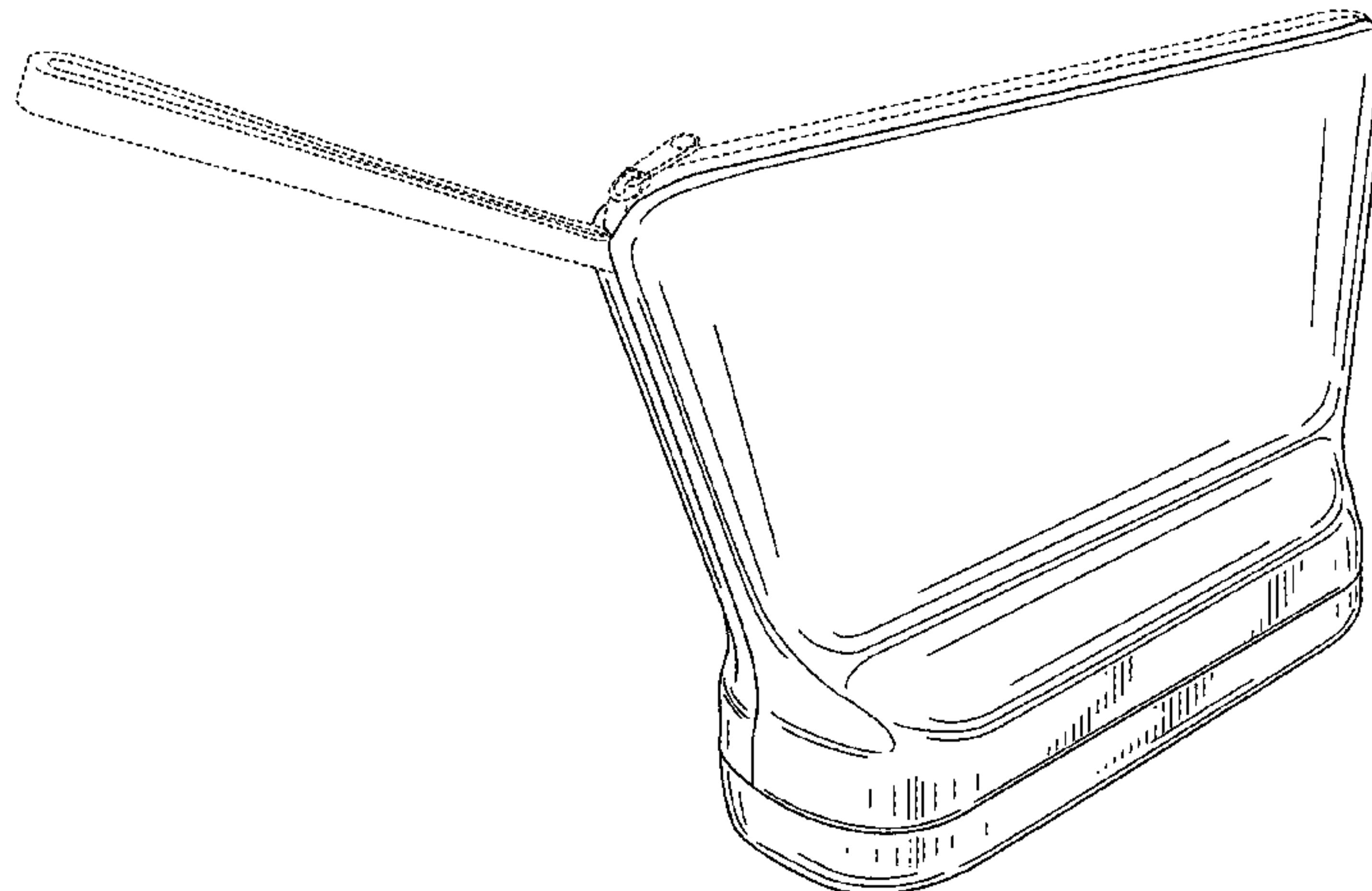
(57) **CLAIM**  
The ornamental design for a bag, as shown and described.

**DESCRIPTION**

FIG. 1 is a top, left side, front perspective view of the design, according to an embodiment of the invention;

FIG. 2 is a bottom, right side, rear perspective view of the design of FIG. 1;  
FIG. 3 is a left side view of the design of FIG. 1;  
FIG. 4 is a right side view of the design of FIG. 1;  
FIG. 5 is a rear view of the design of FIG. 1;  
FIG. 6 is a front view of the design of FIG. 1;  
FIG. 7 is a top view of the design of FIG. 1;  
FIG. 8 is a bottom view of the design of FIG. 1;  
FIG. 9 is a top, left side, front perspective view of the design of FIG. 1, in an alternate configuration;  
FIG. 10 is a bottom, left side, front perspective view of the design of FIG. 9;  
FIG. 11 is a left side view of the design of FIG. 9;  
FIG. 12 is a right side view of the design of FIG. 9;  
FIG. 13 is a rear view of the design of FIG. 9;  
FIG. 14 is a front view of the design of FIG. 9;  
FIG. 15 is a top view of the design of FIG. 9;  
FIG. 16 is a bottom view of the design of FIG. 9;  
FIG. 17 is a top, left side, front perspective view of a second embodiment of the design shown in FIG. 1;  
FIG. 18 is a bottom, right side, rear perspective view of the design of FIG. 17;  
FIG. 19 is a left side view of the design of FIG. 17;  
FIG. 20 is a right side view of the design of FIG. 17;  
FIG. 21 is a front view of the design of FIG. 17;  
FIG. 22 is a rear view of the design of FIG. 17;  
FIG. 23 is a top view of the design of FIG. 17;  
FIG. 24 is a bottom view of the design of FIG. 17;  
FIG. 25 is a top, left side, front perspective view of the design of FIG. 17, in an alternate configuration;  
FIG. 26 is a bottom, left side, front perspective view of the design of FIG. 25;  
FIG. 27 is a left side view of the design of FIG. 25;  
FIG. 28 is a right side view of the design of FIG. 25;  
FIG. 29 is a front view of the design of FIG. 25;  
FIG. 30 is a rear view of the design of FIG. 25;  
FIG. 31 is a top view of the design of FIG. 25; and,  
FIG. 32 is a bottom view of the design of FIG. 25.  
The broken lines showing interior surfaces are for the purposes of illustrating environment and form no part of the claimed design.

**1 Claim, 24 Drawing Sheets**



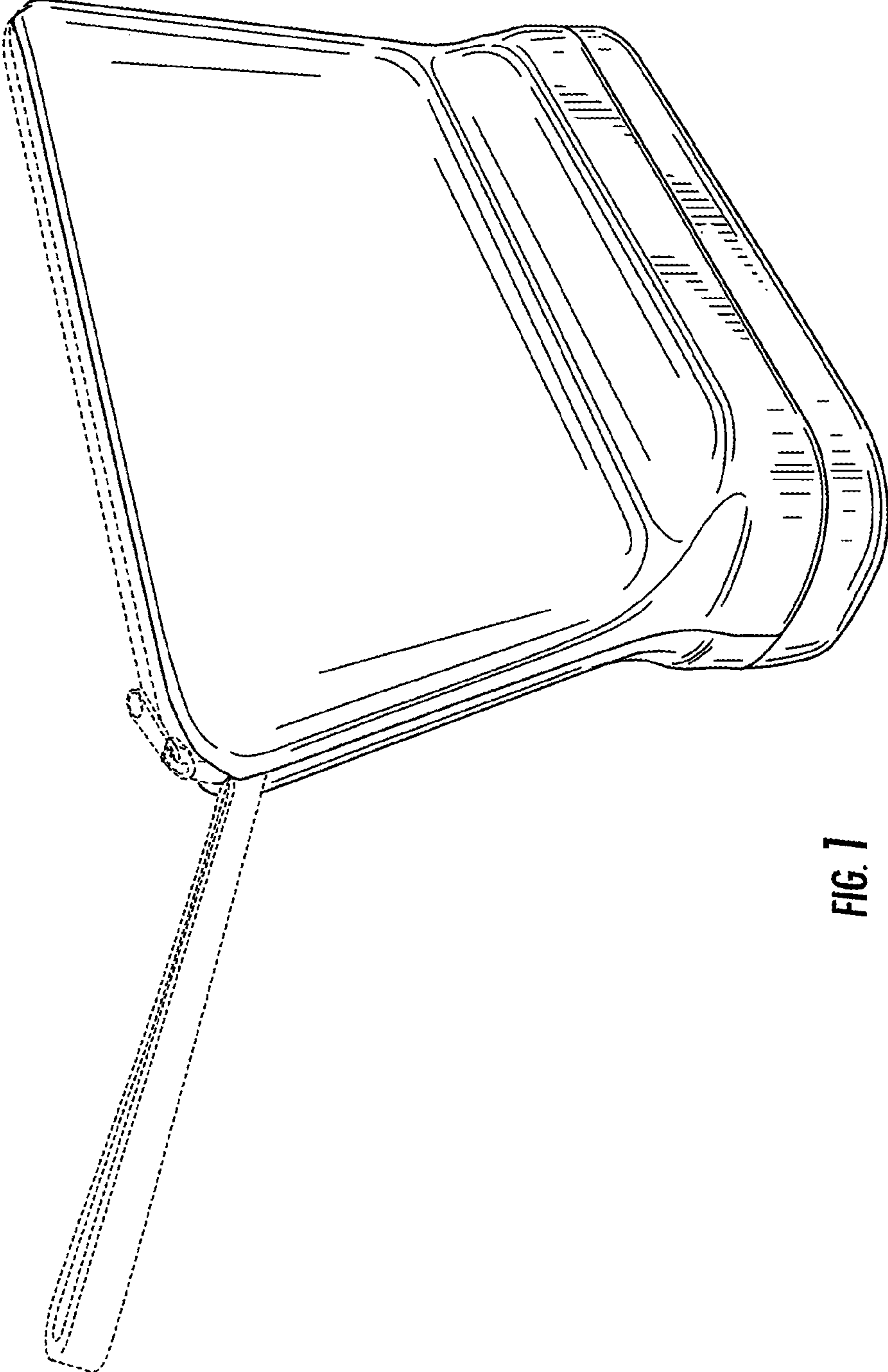


FIG. 7

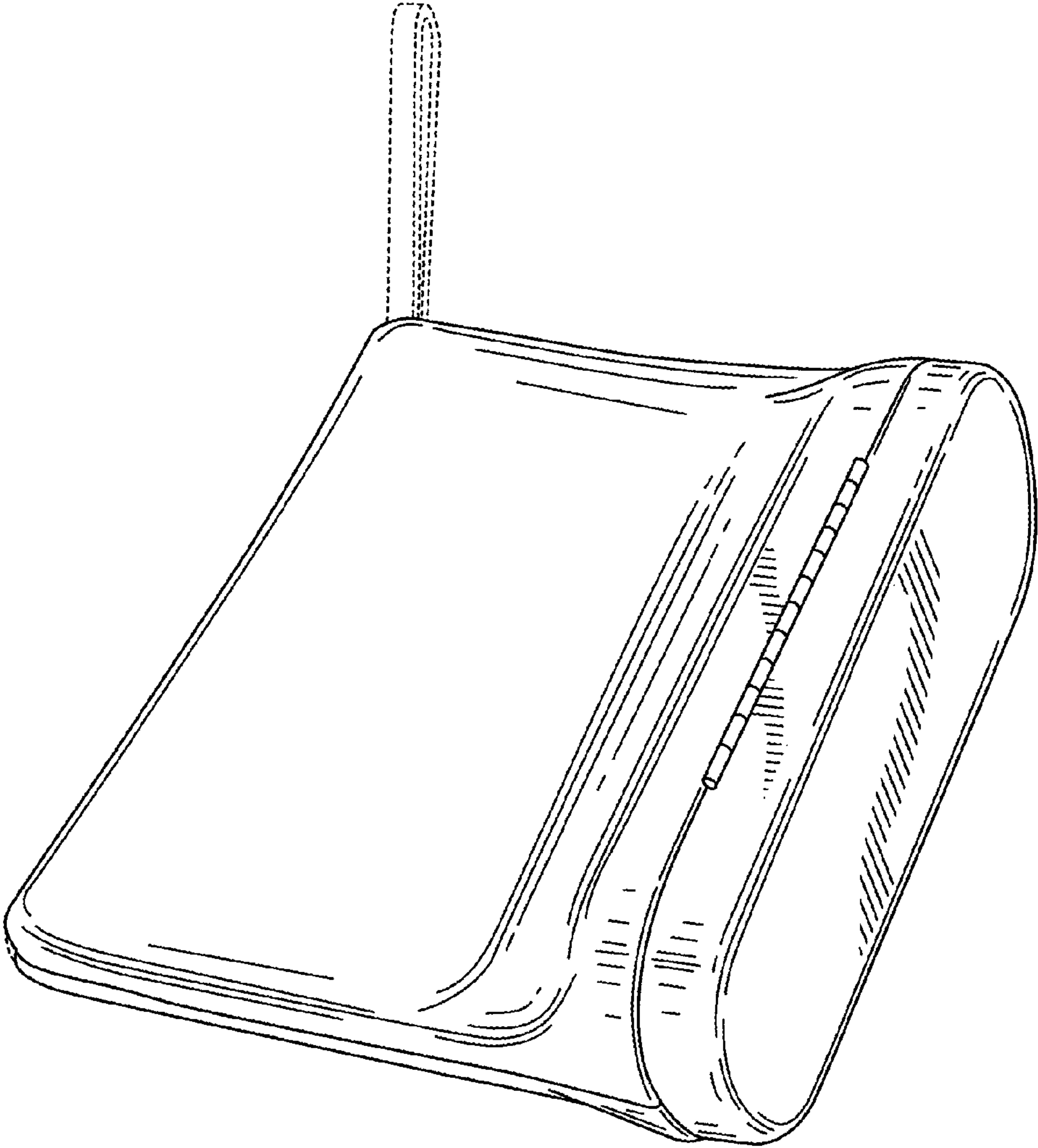


FIG. 2

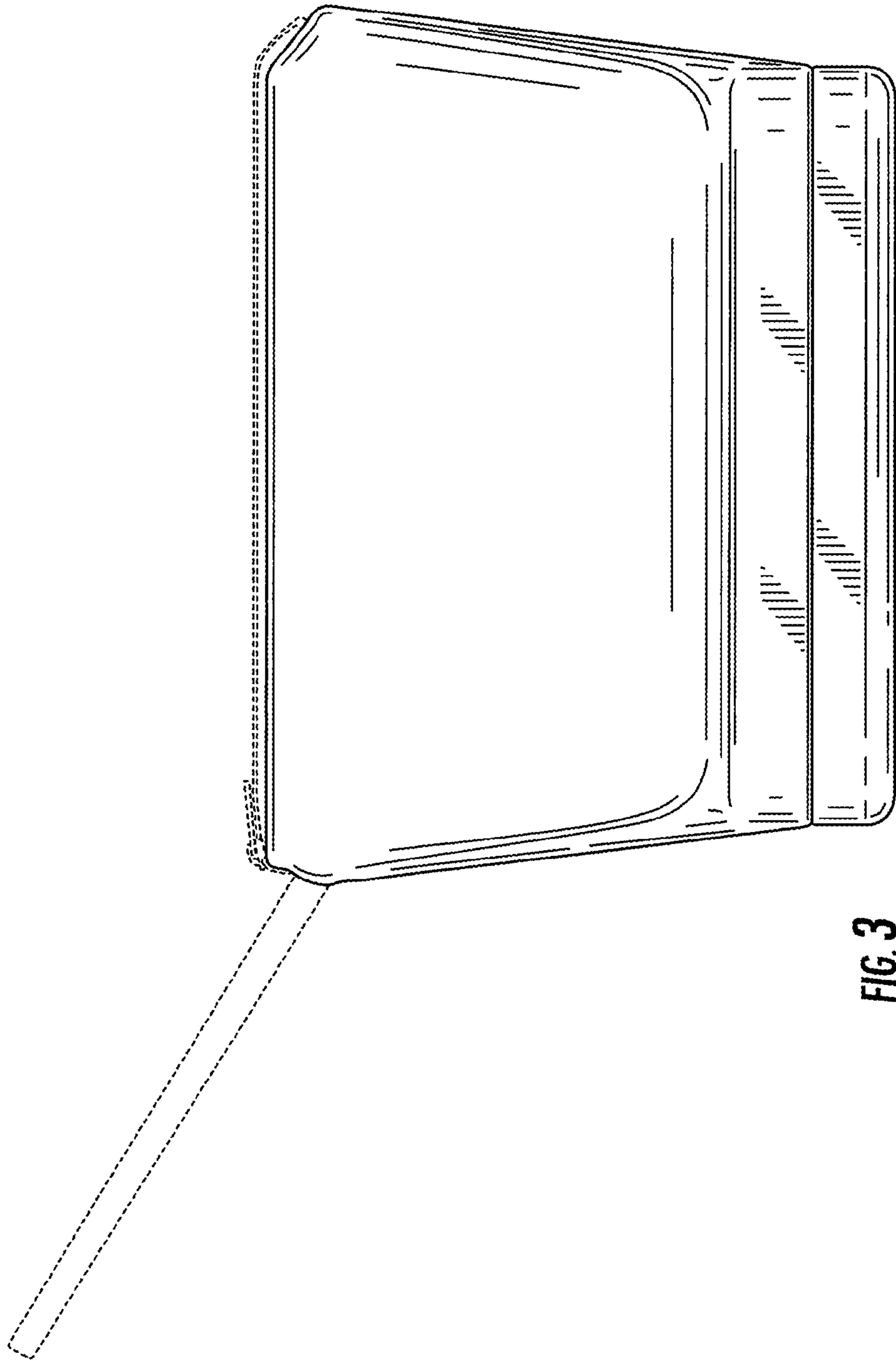


FIG. 3

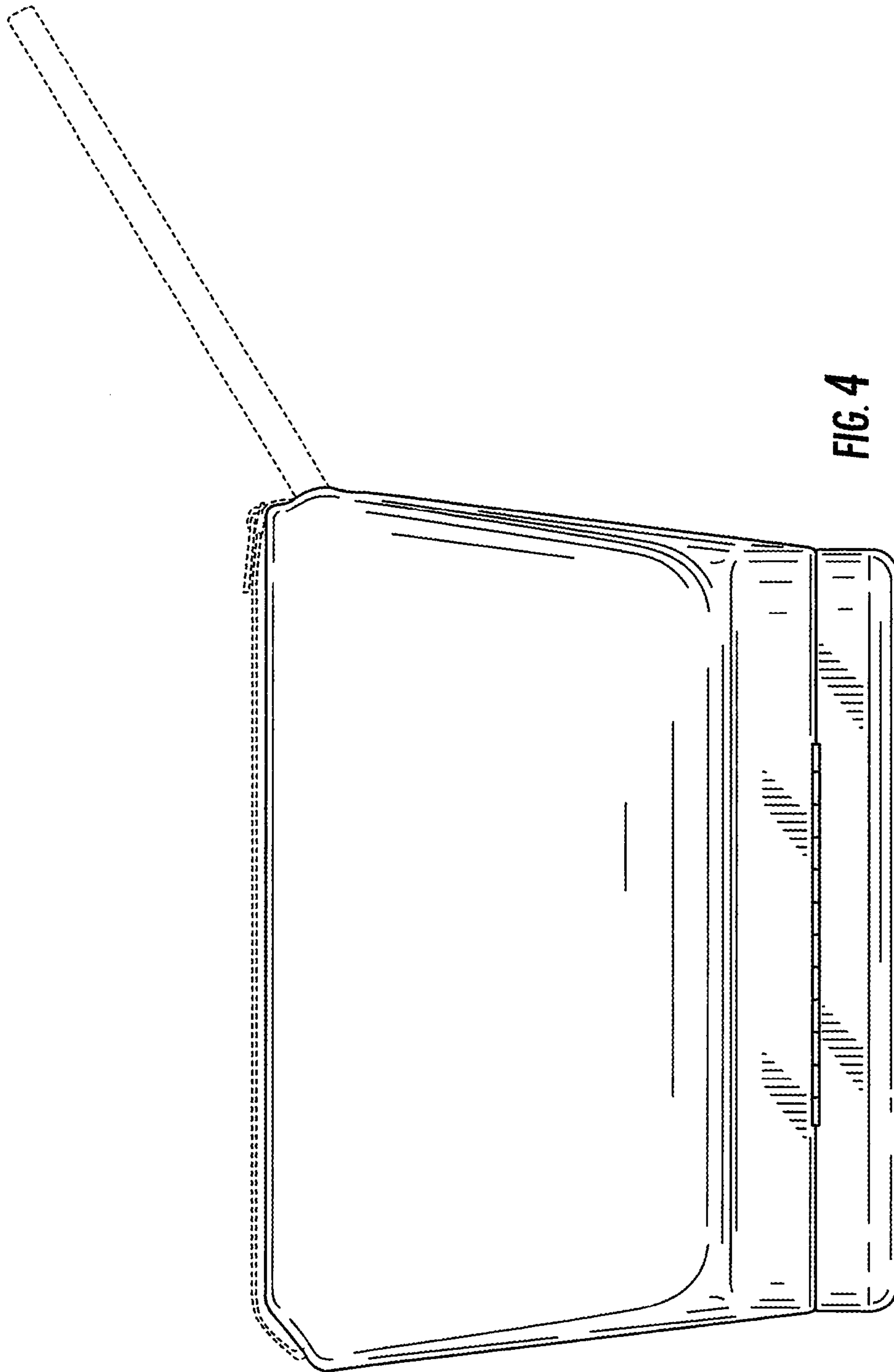
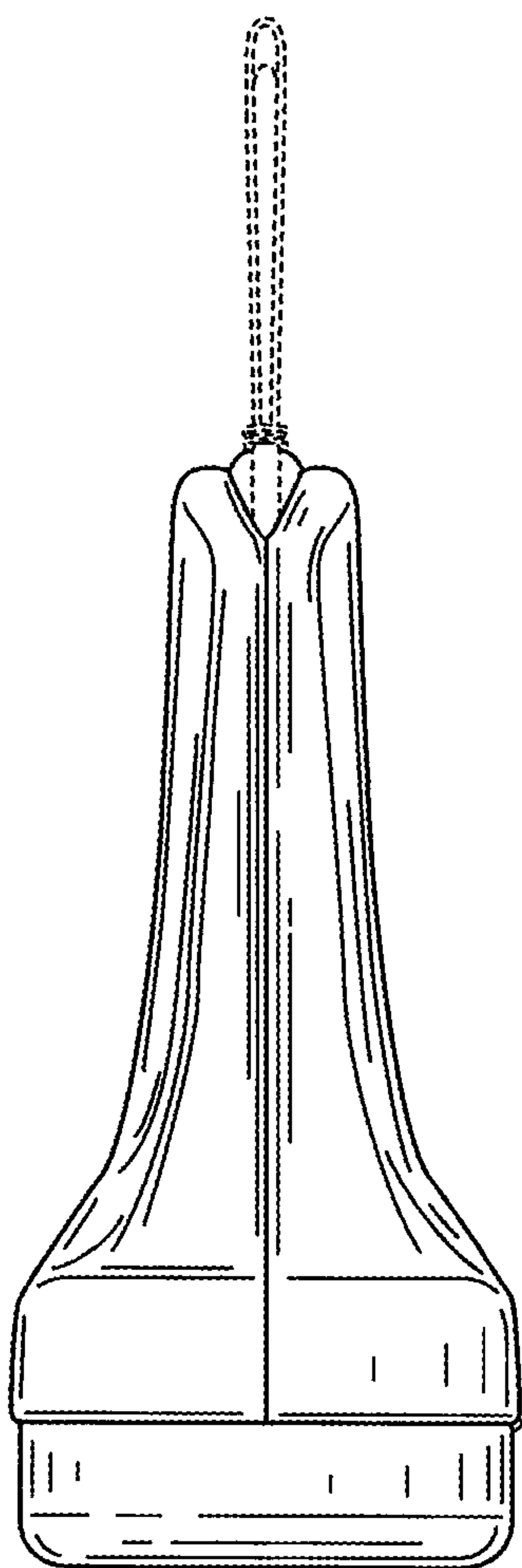
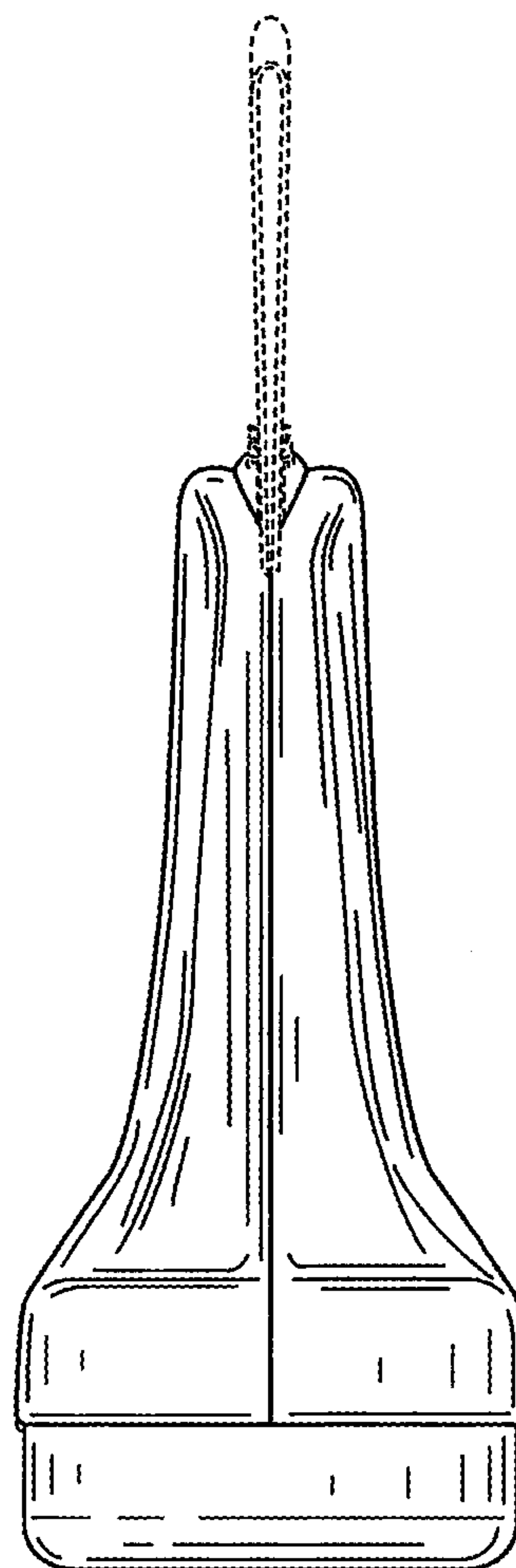


FIG. 4





**FIG. 5**



**FIG. 6**

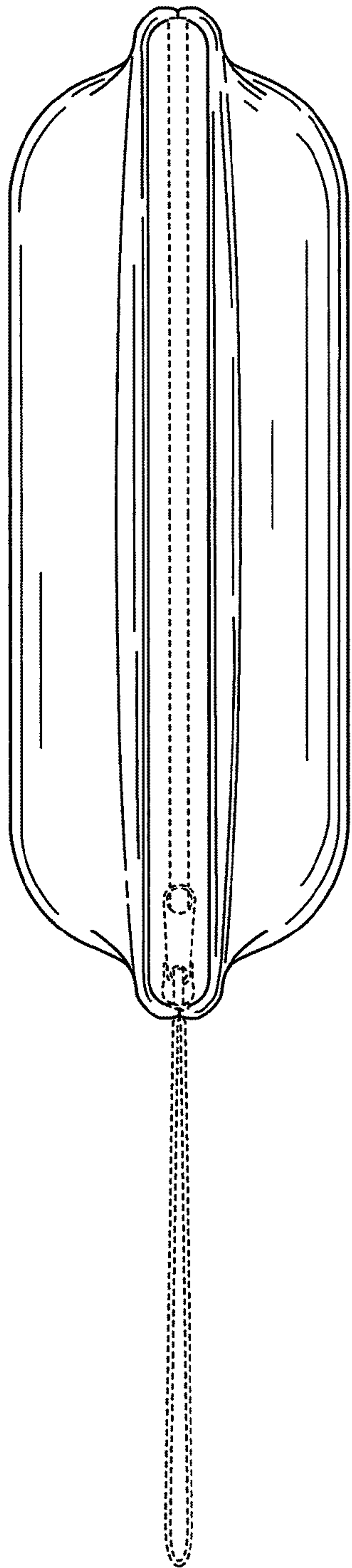


FIG. 7

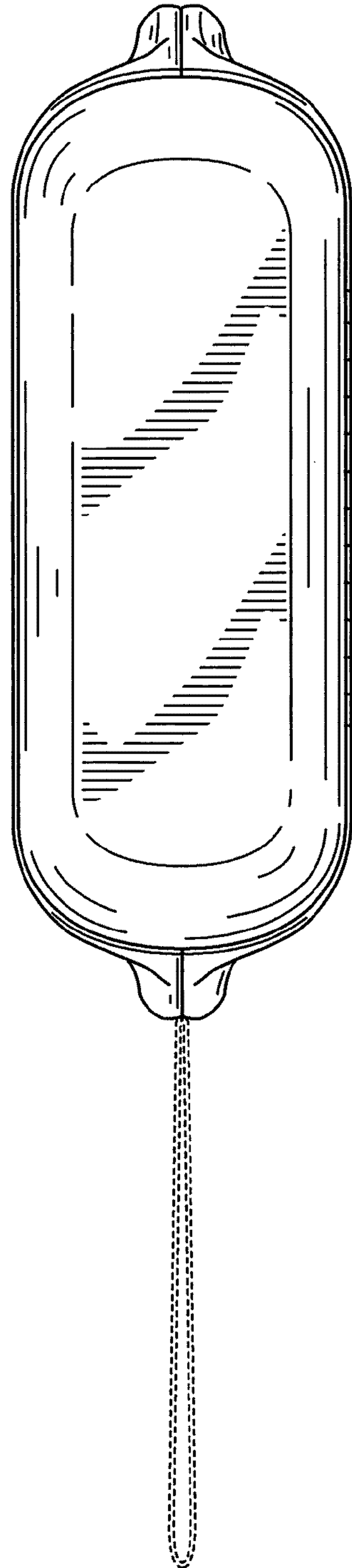


FIG. 8

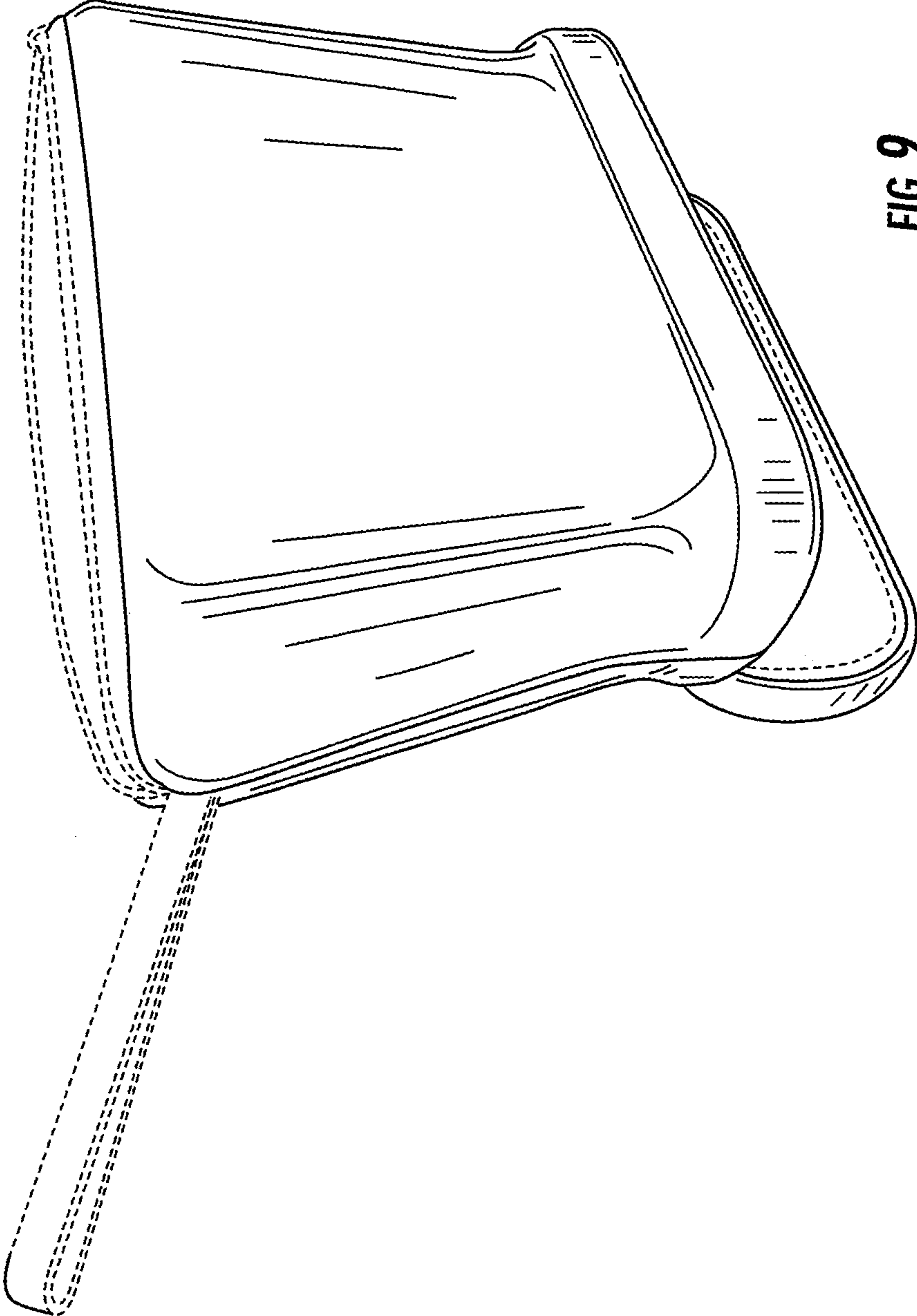
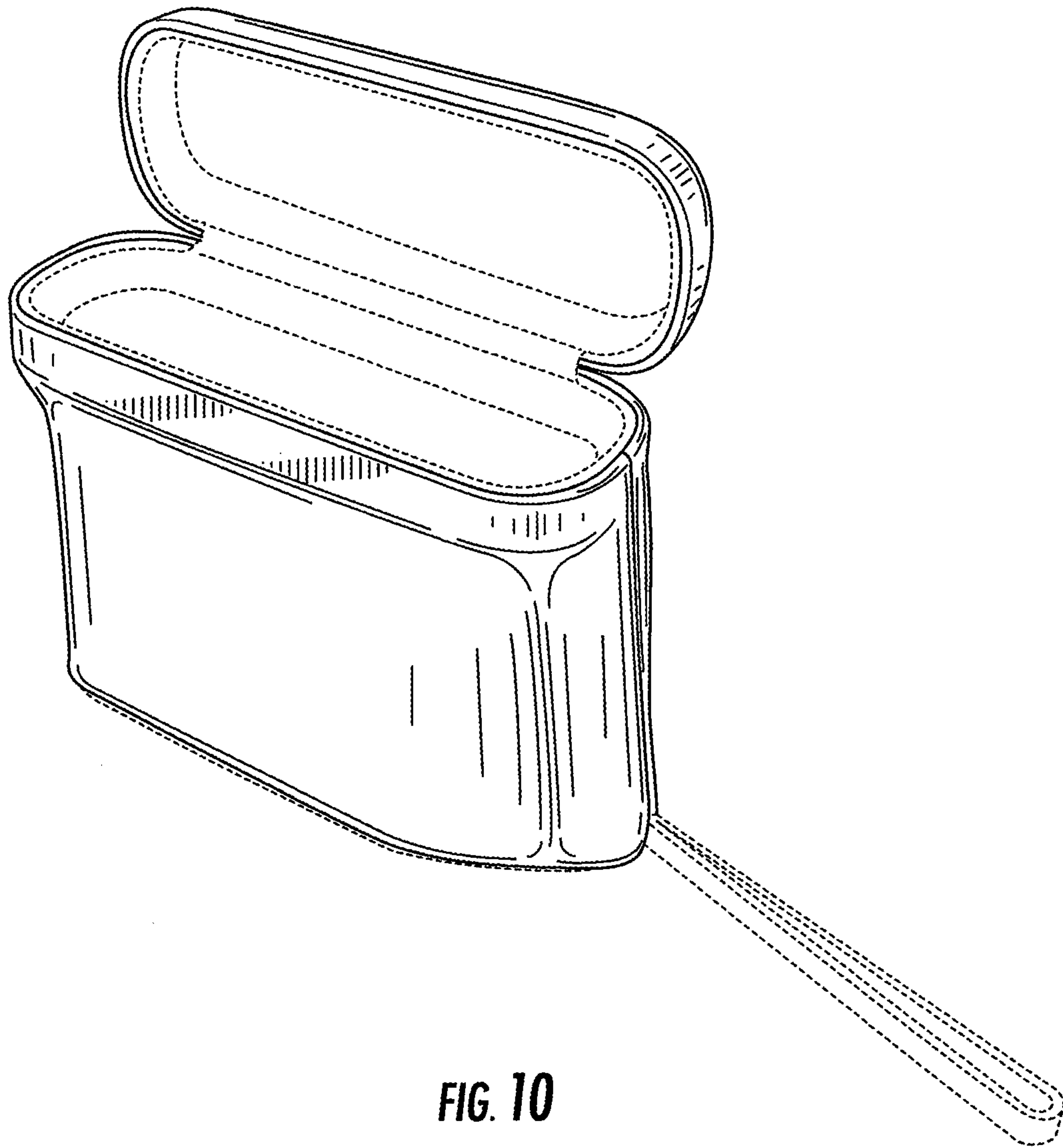


FIG. 9





**FIG. 10**

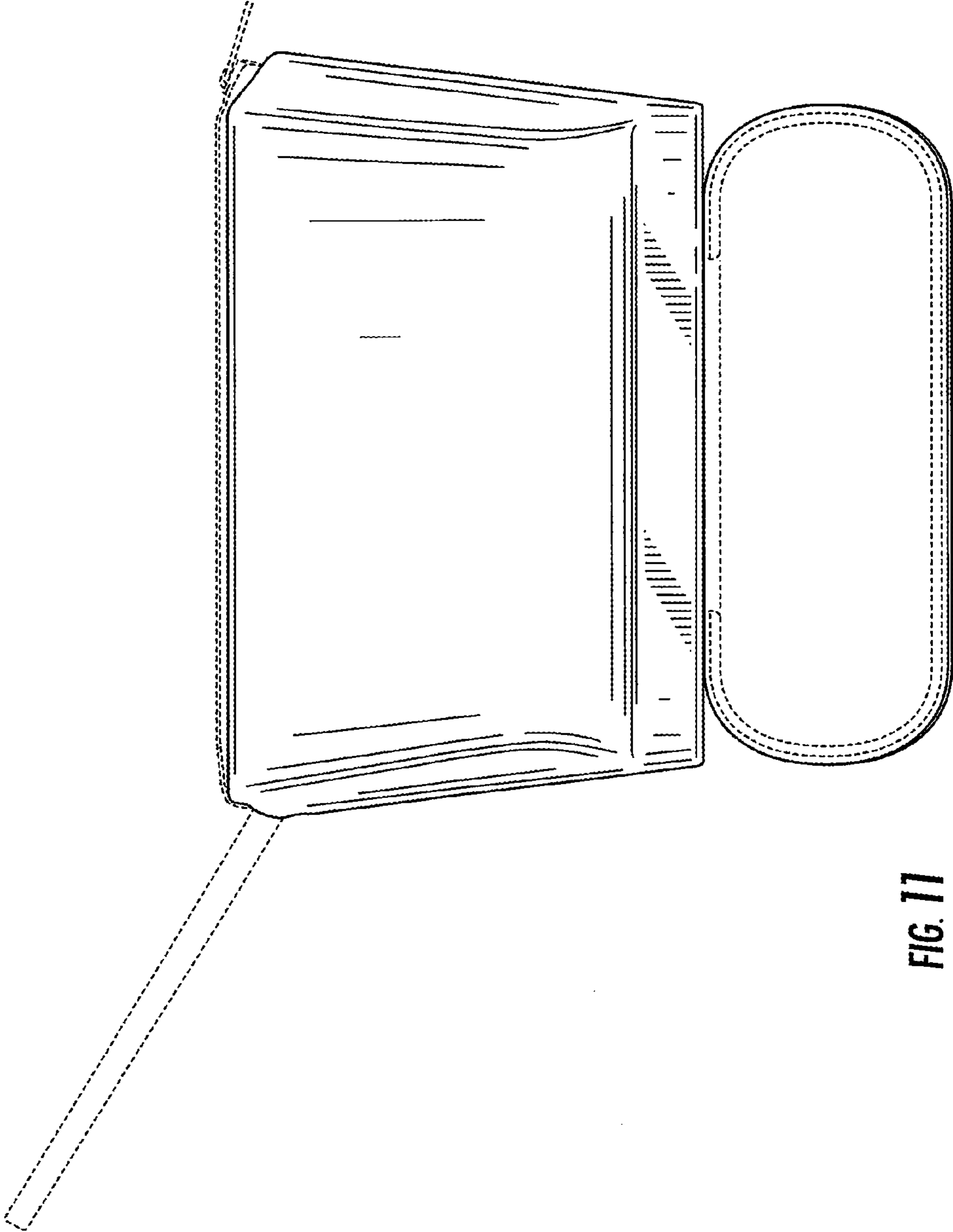


FIG. 17

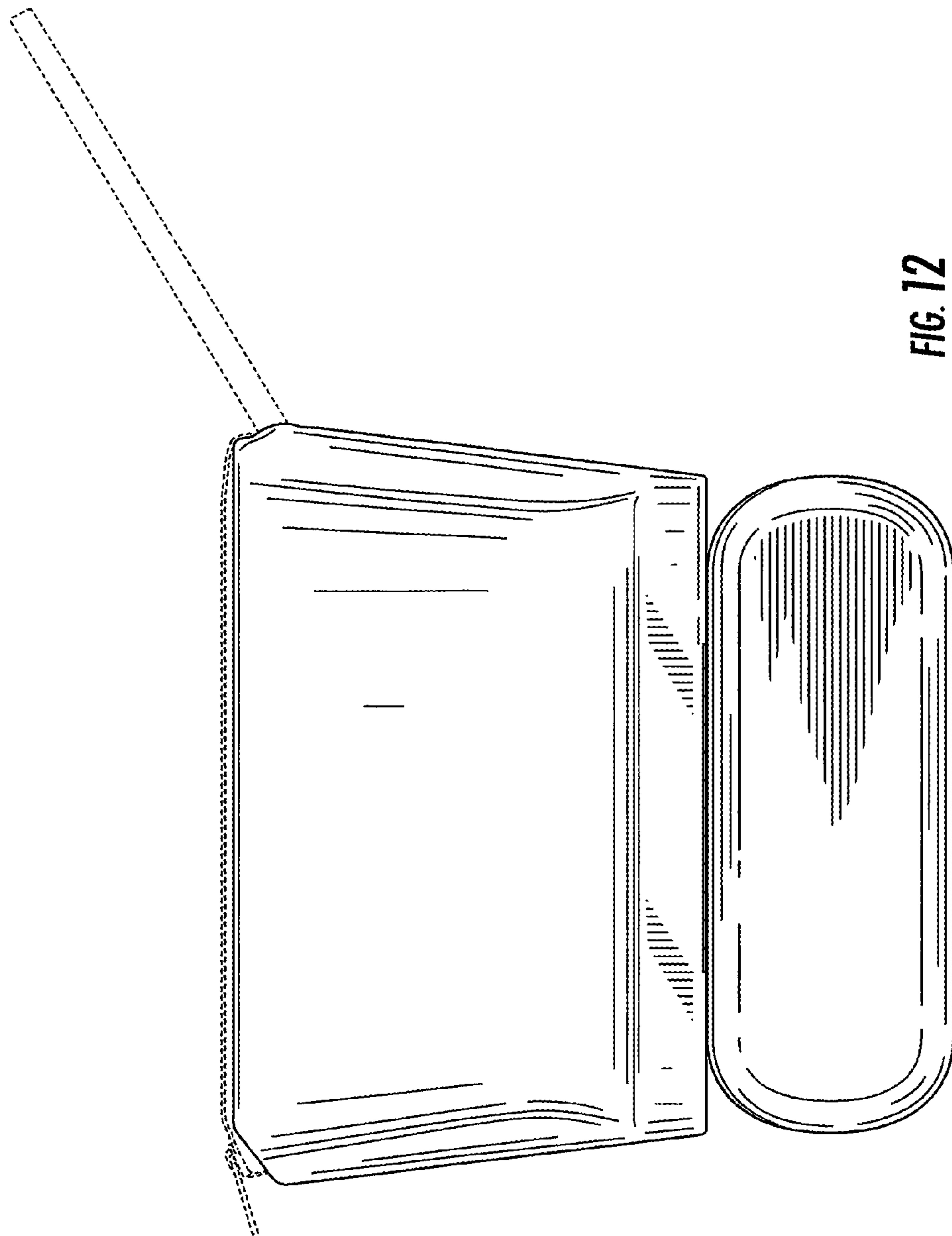
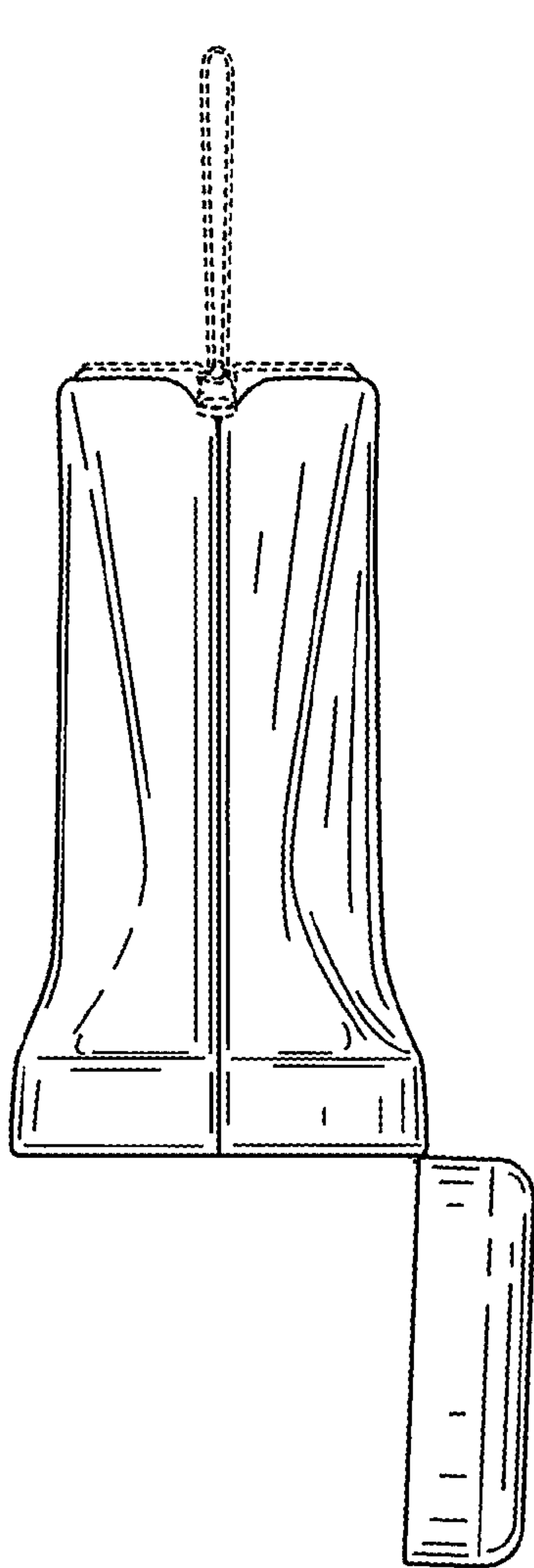


FIG. 12



**FIG. 13**



**FIG. 14**

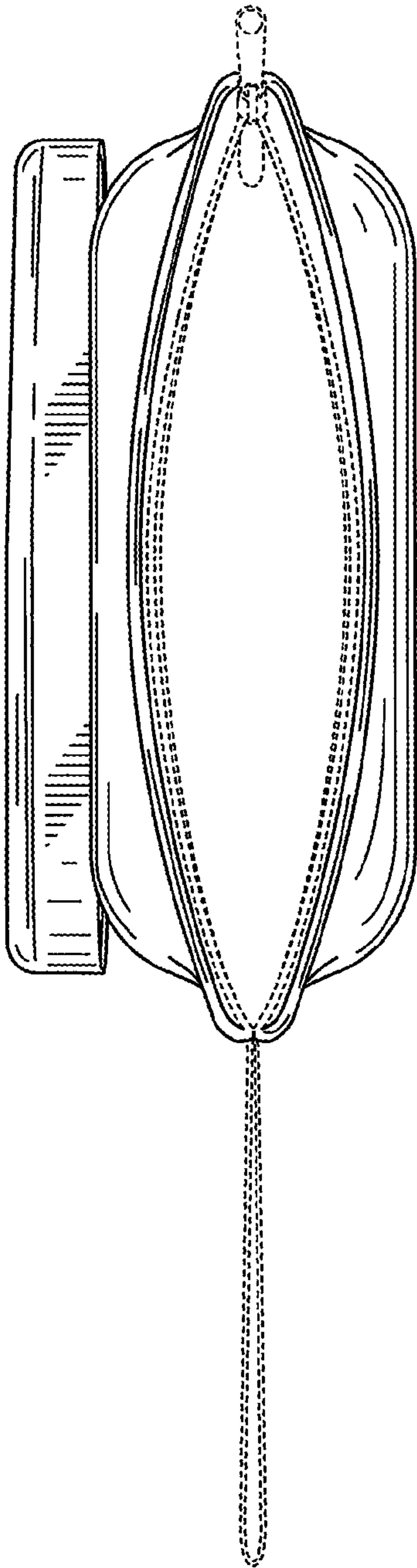


FIG. 15

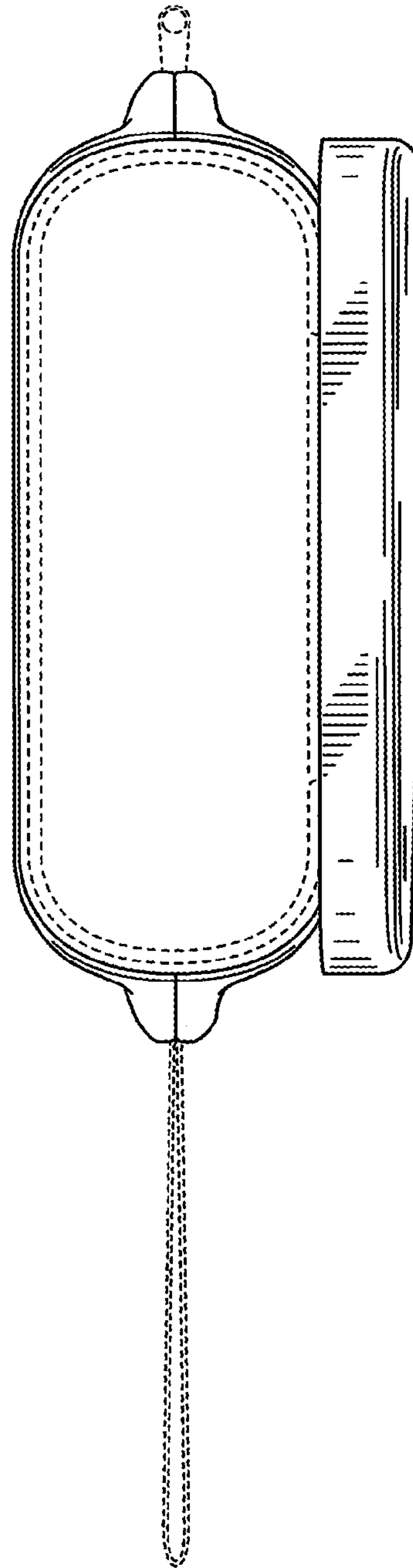
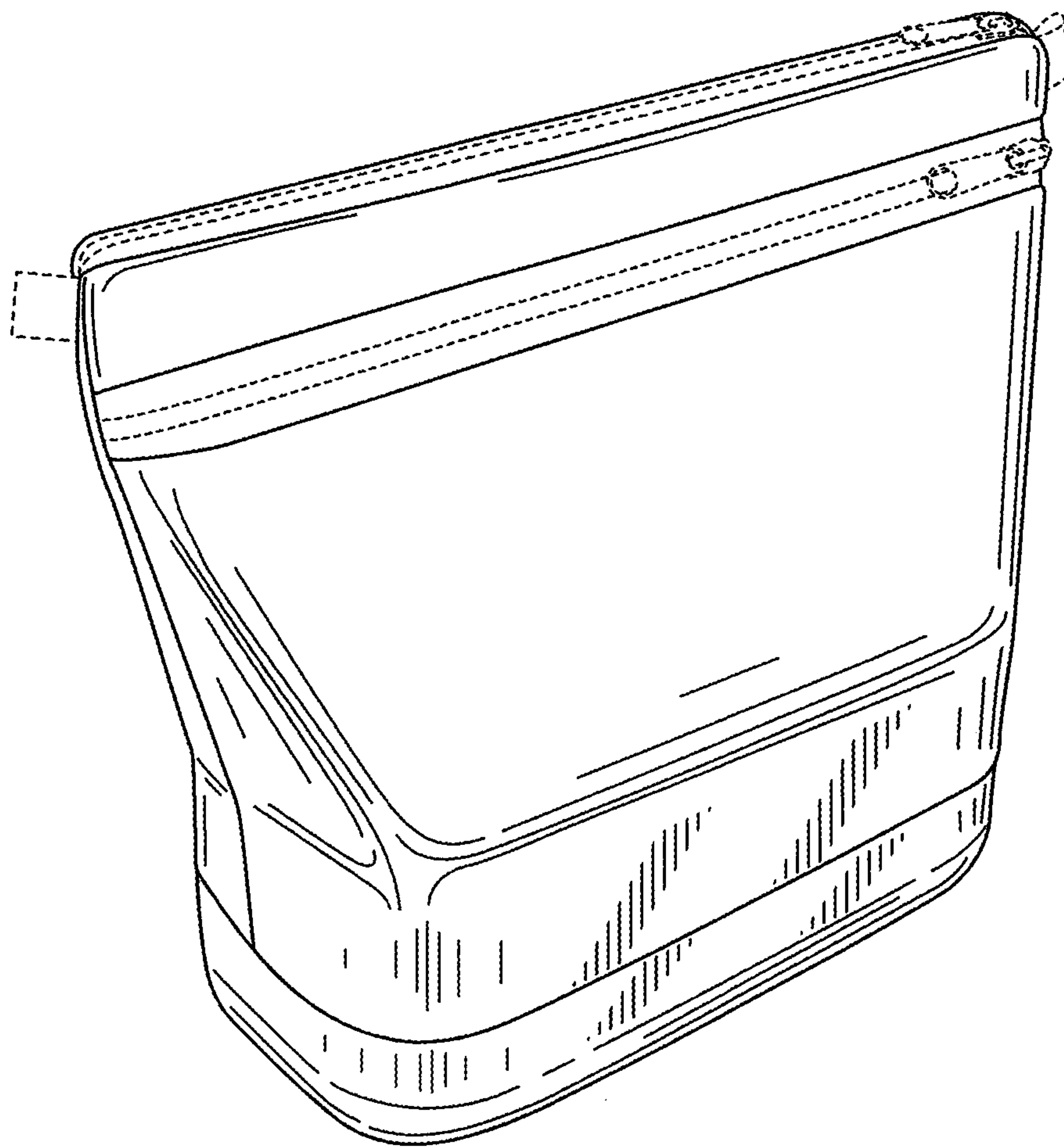
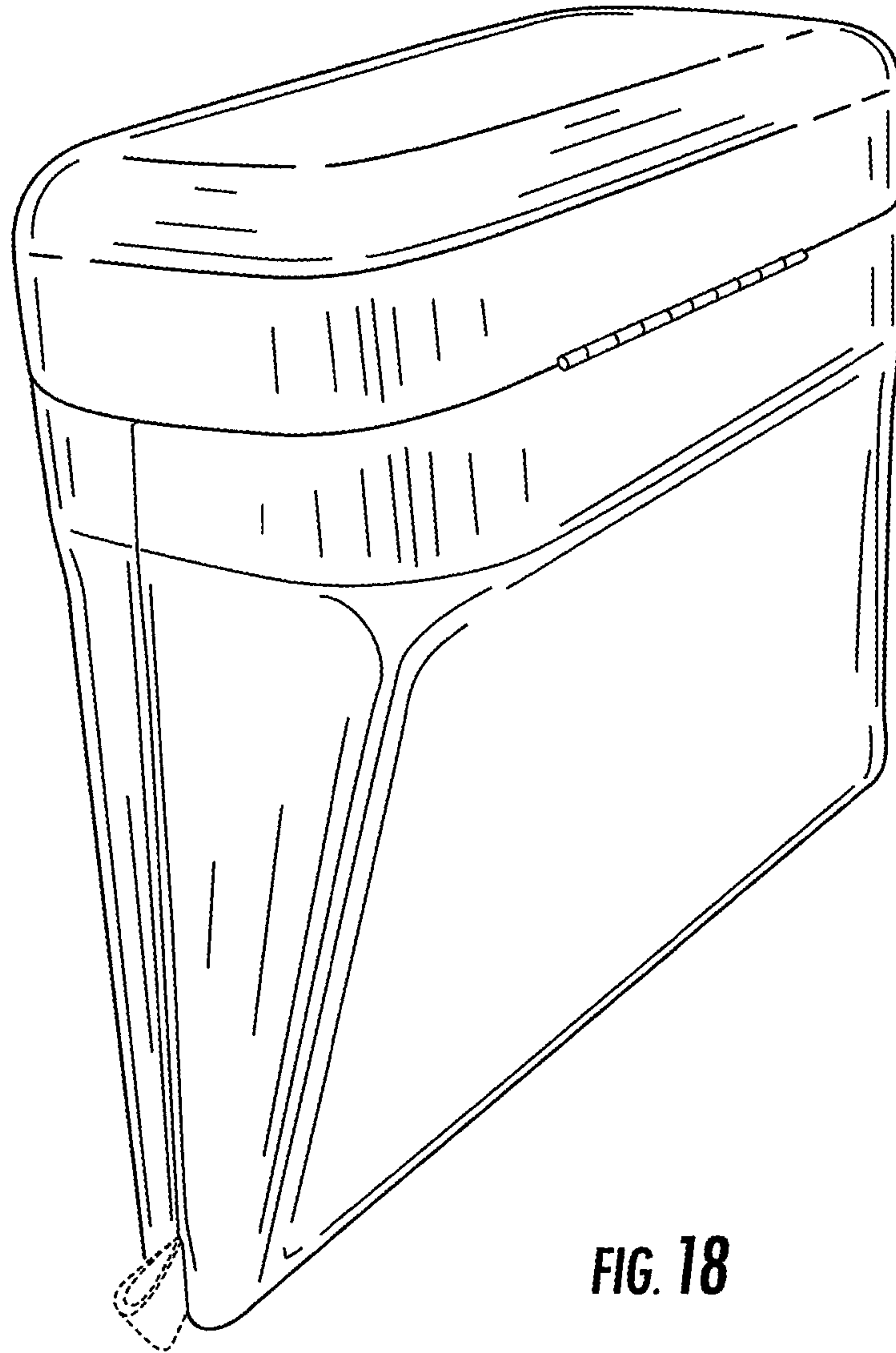


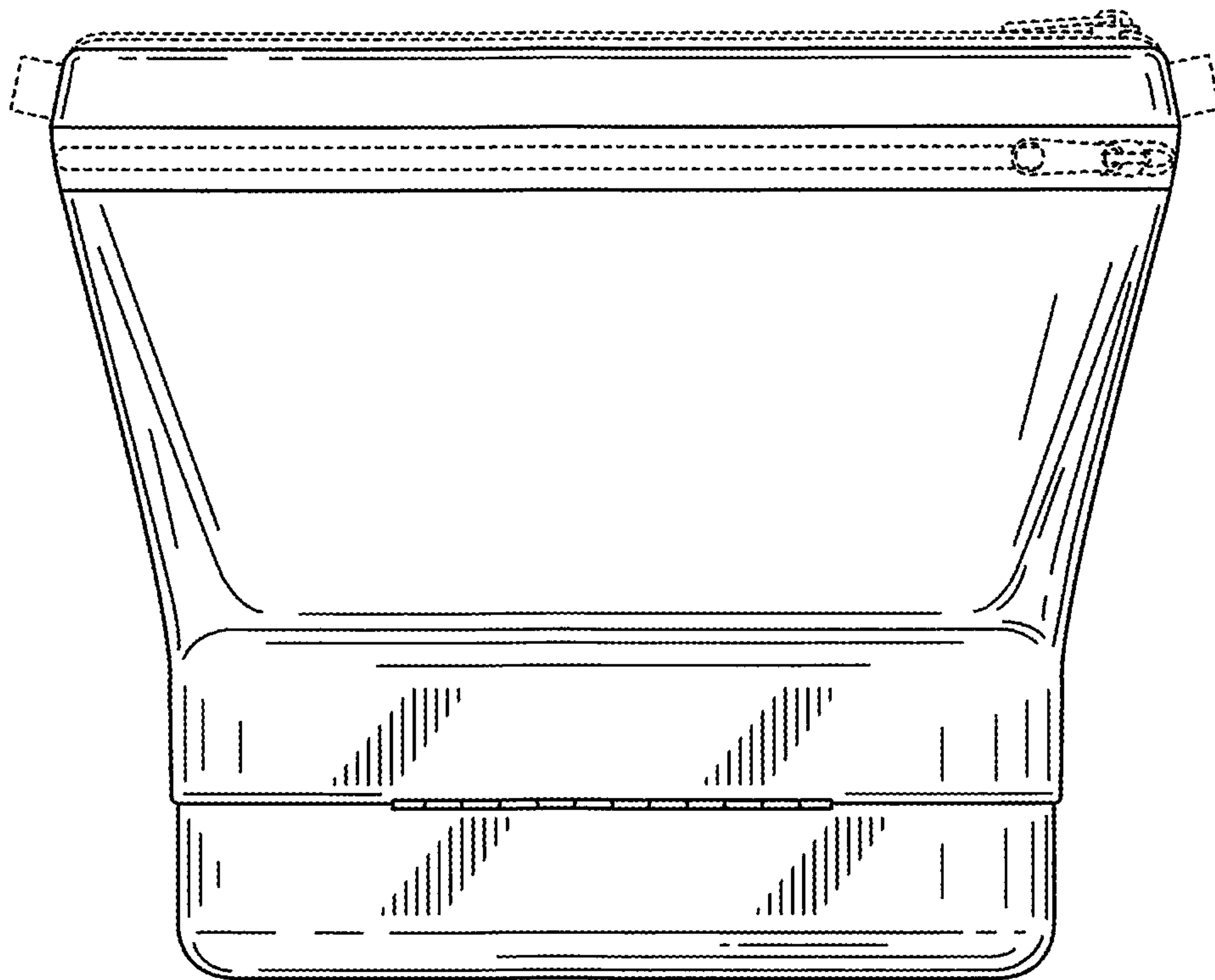
FIG. 16



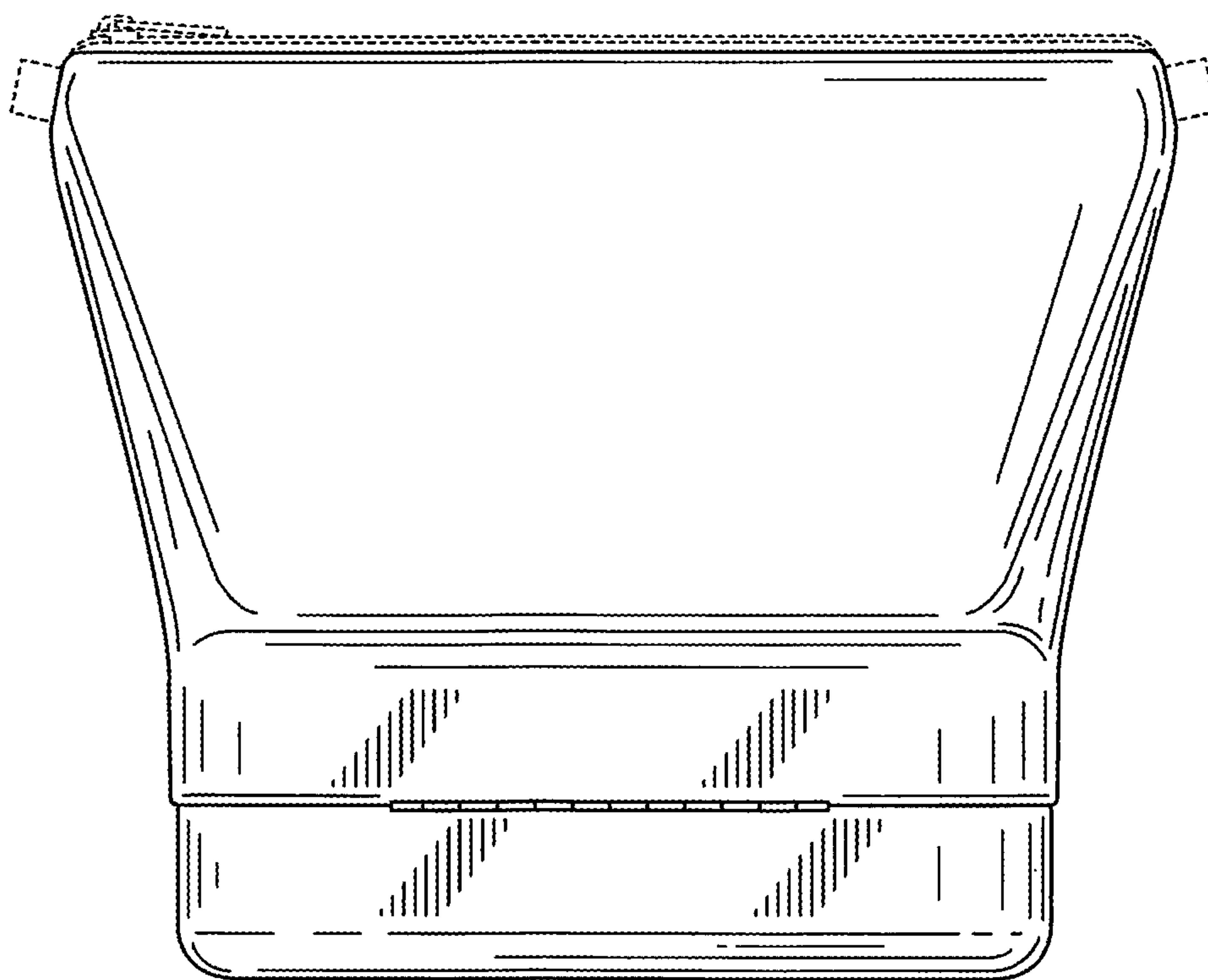


**FIG. 17**

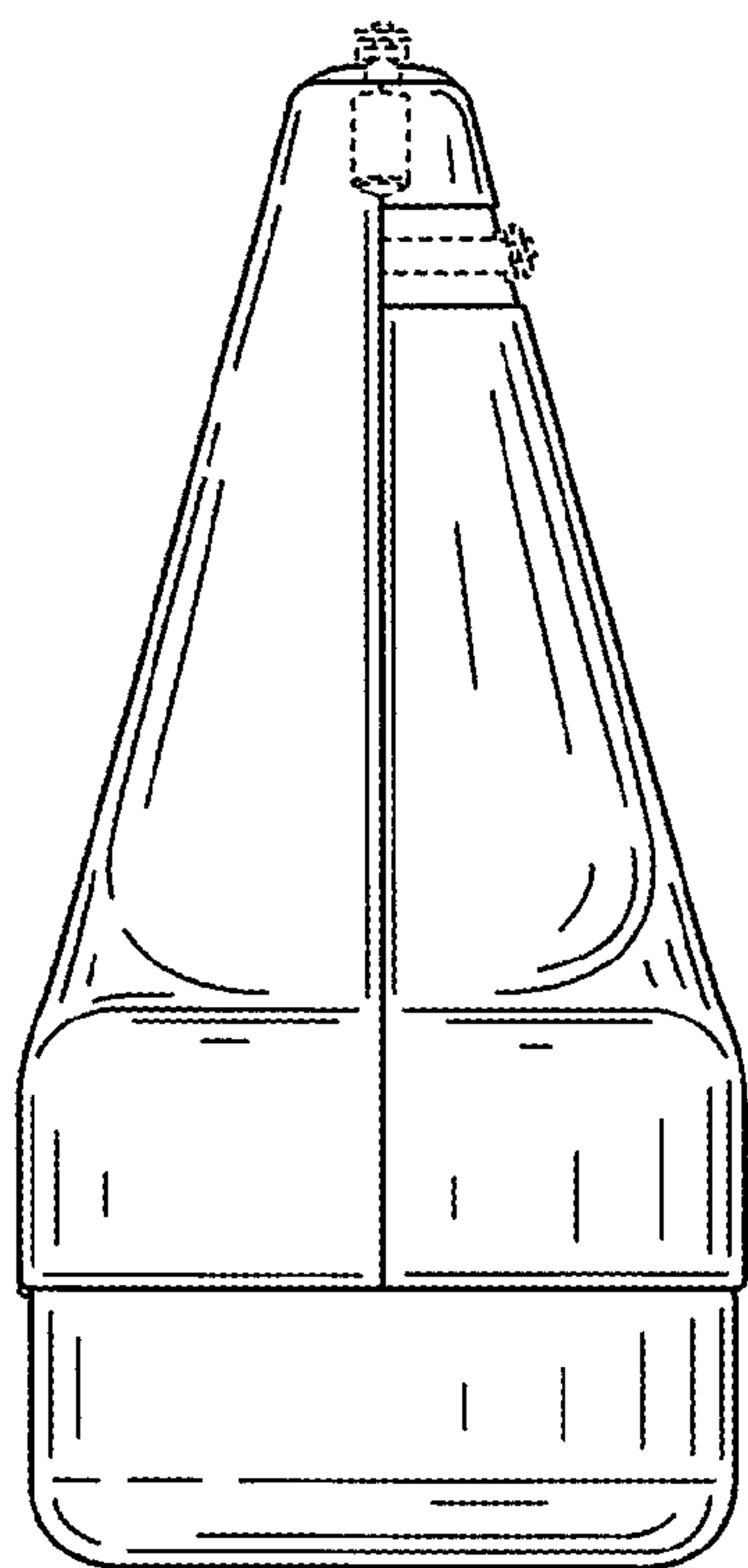




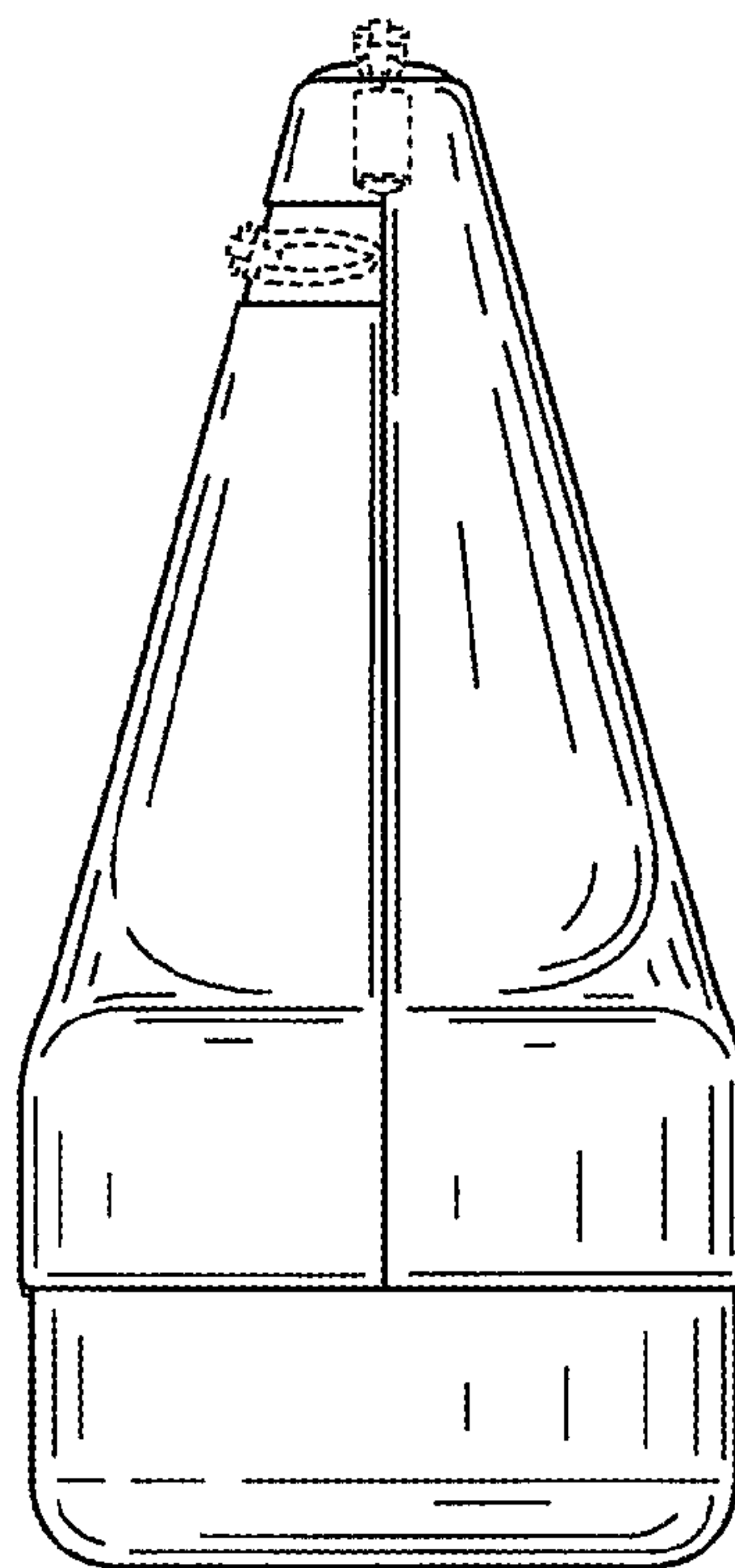
**FIG. 19**



**FIG. 20**

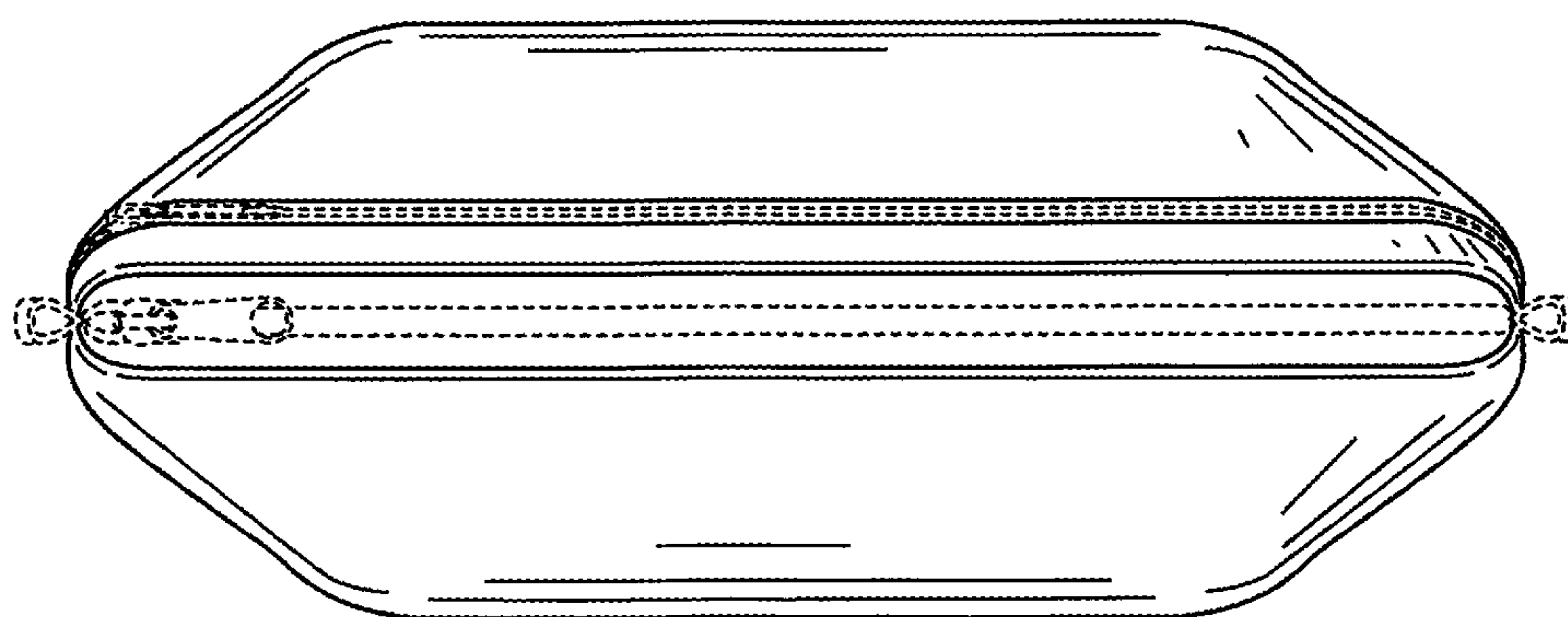


**FIG. 21**

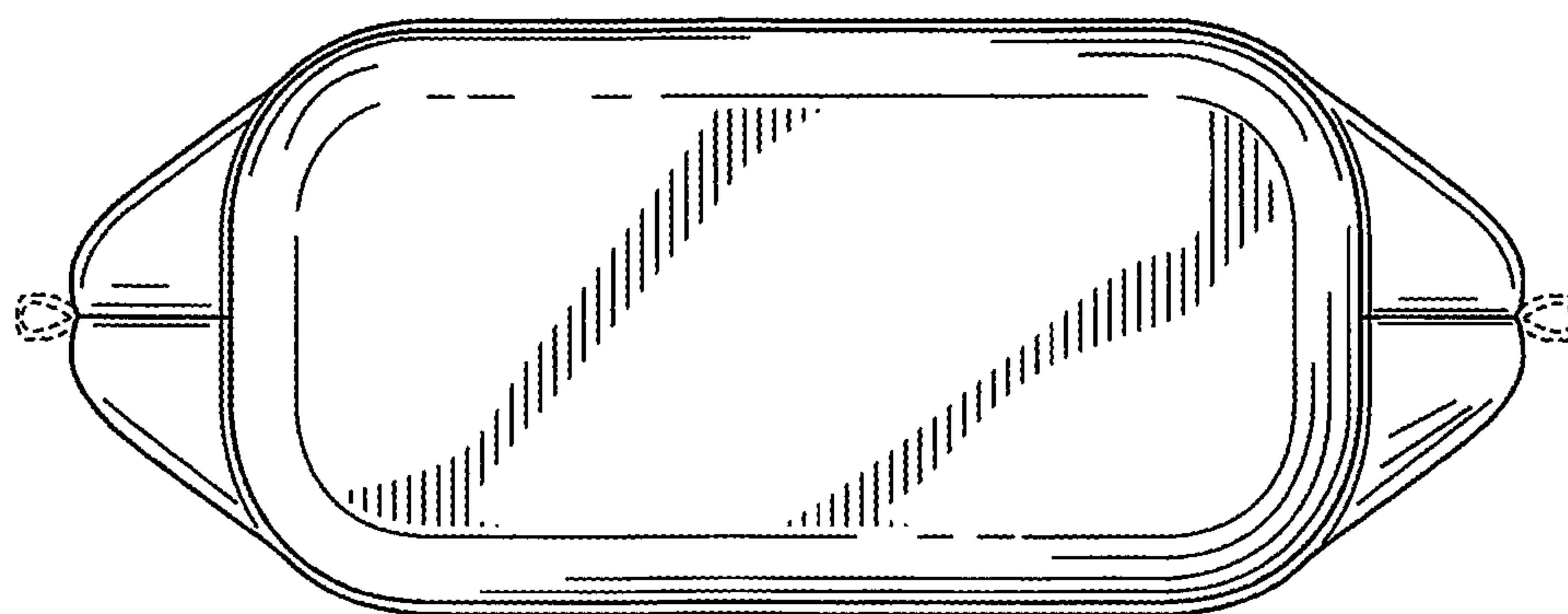


**FIG. 22**

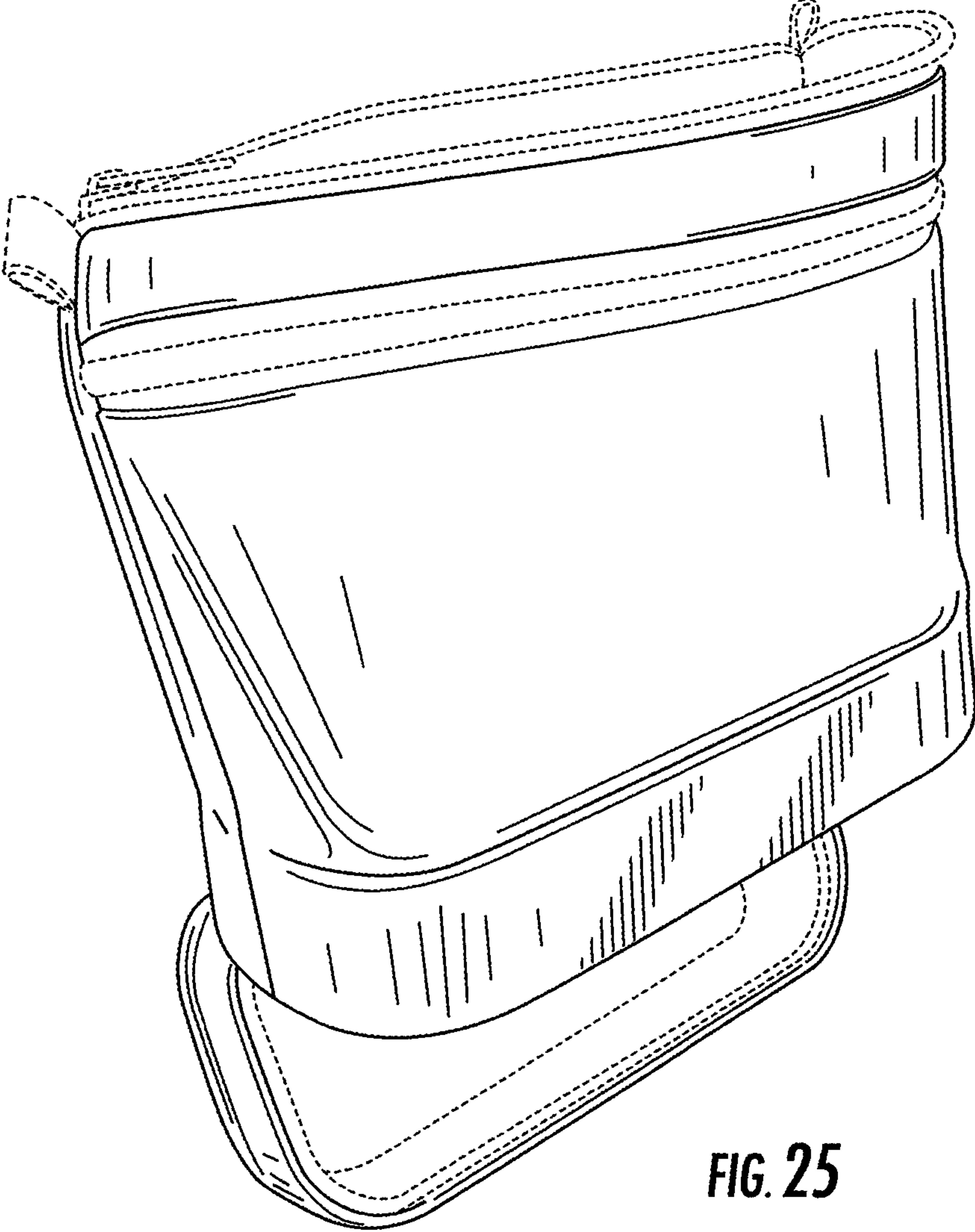




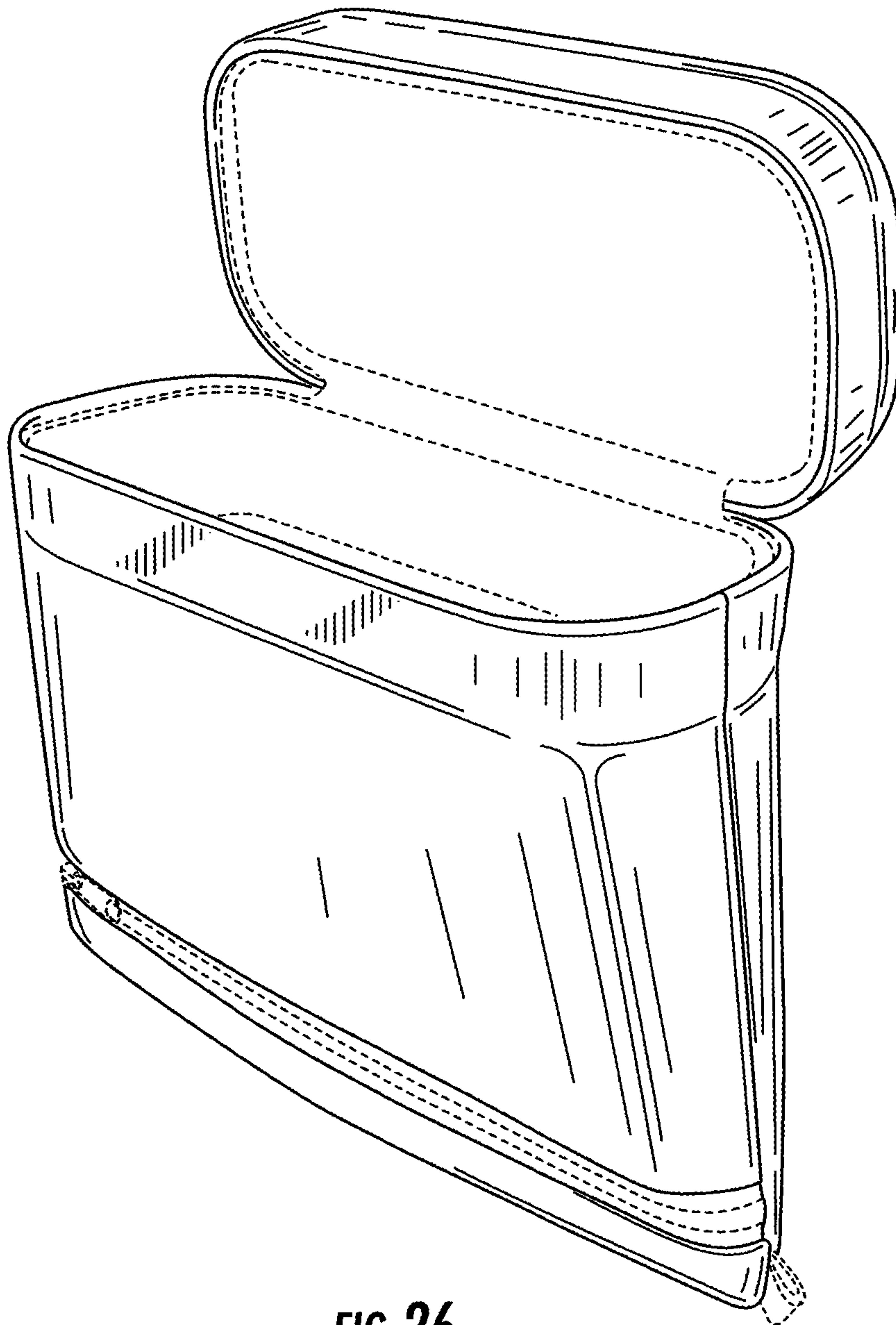
**FIG. 23**



**FIG. 24**



**FIG. 25**



**FIG. 26**

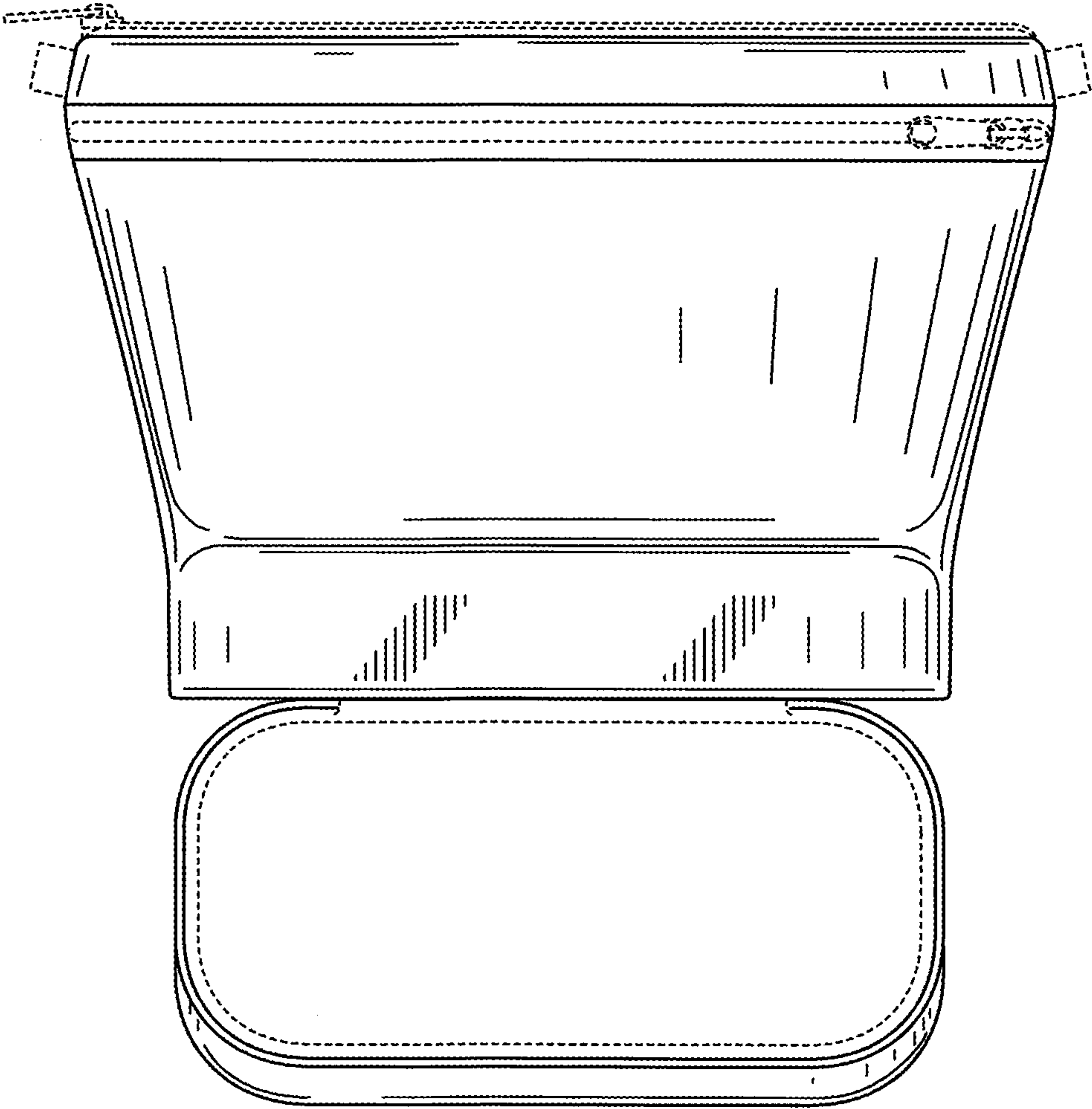


FIG. 27

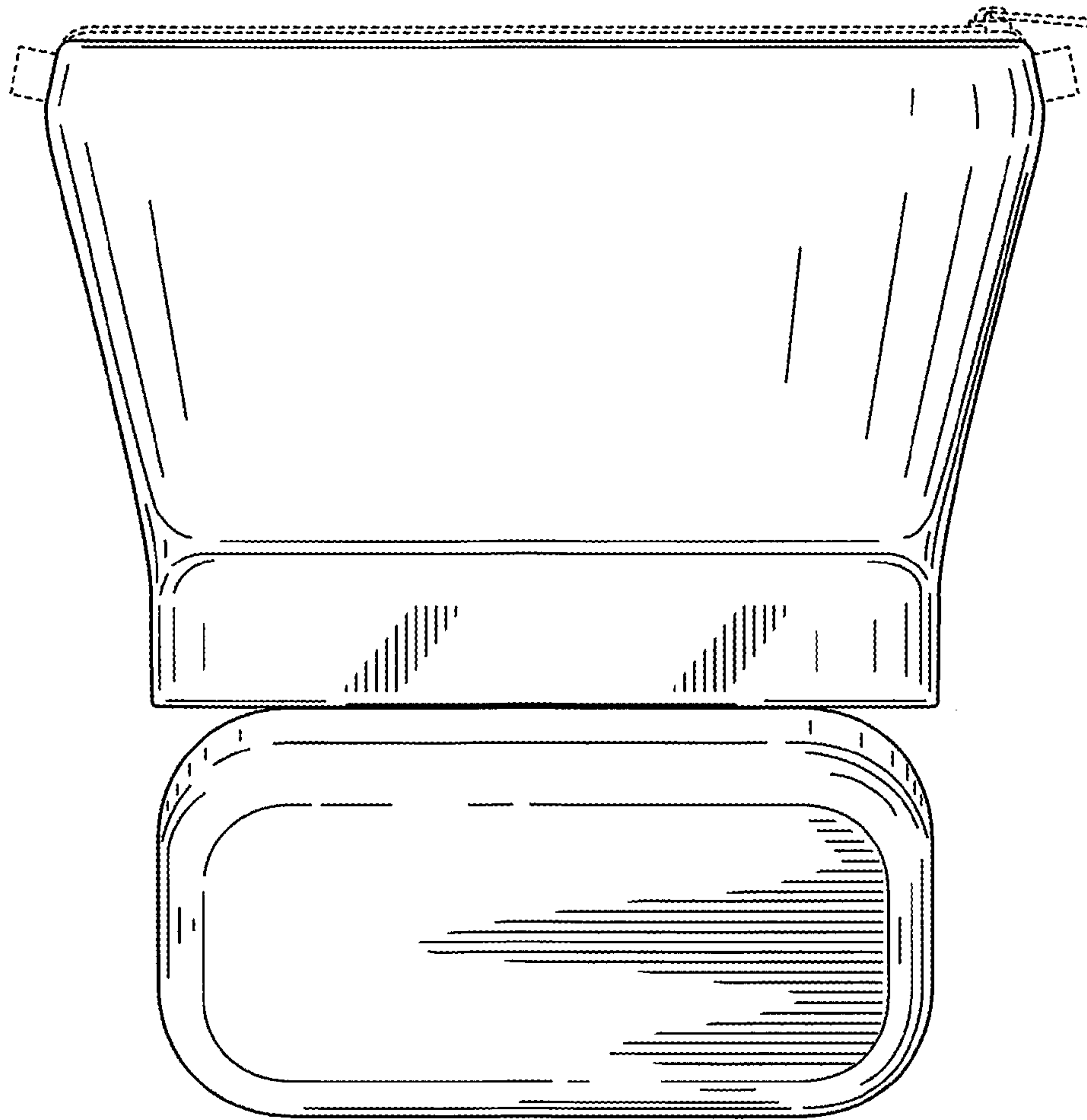


FIG. 28



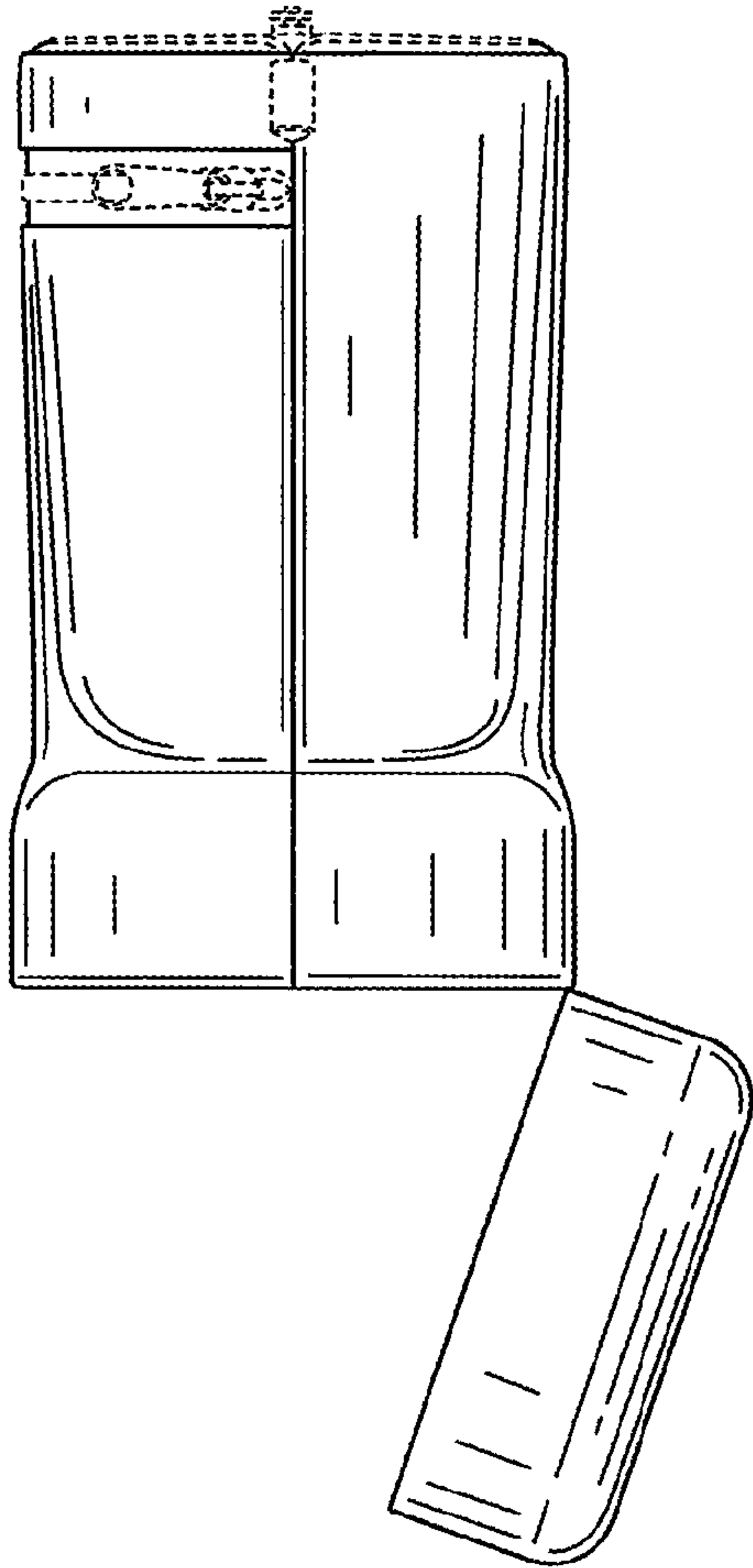


FIG. 29

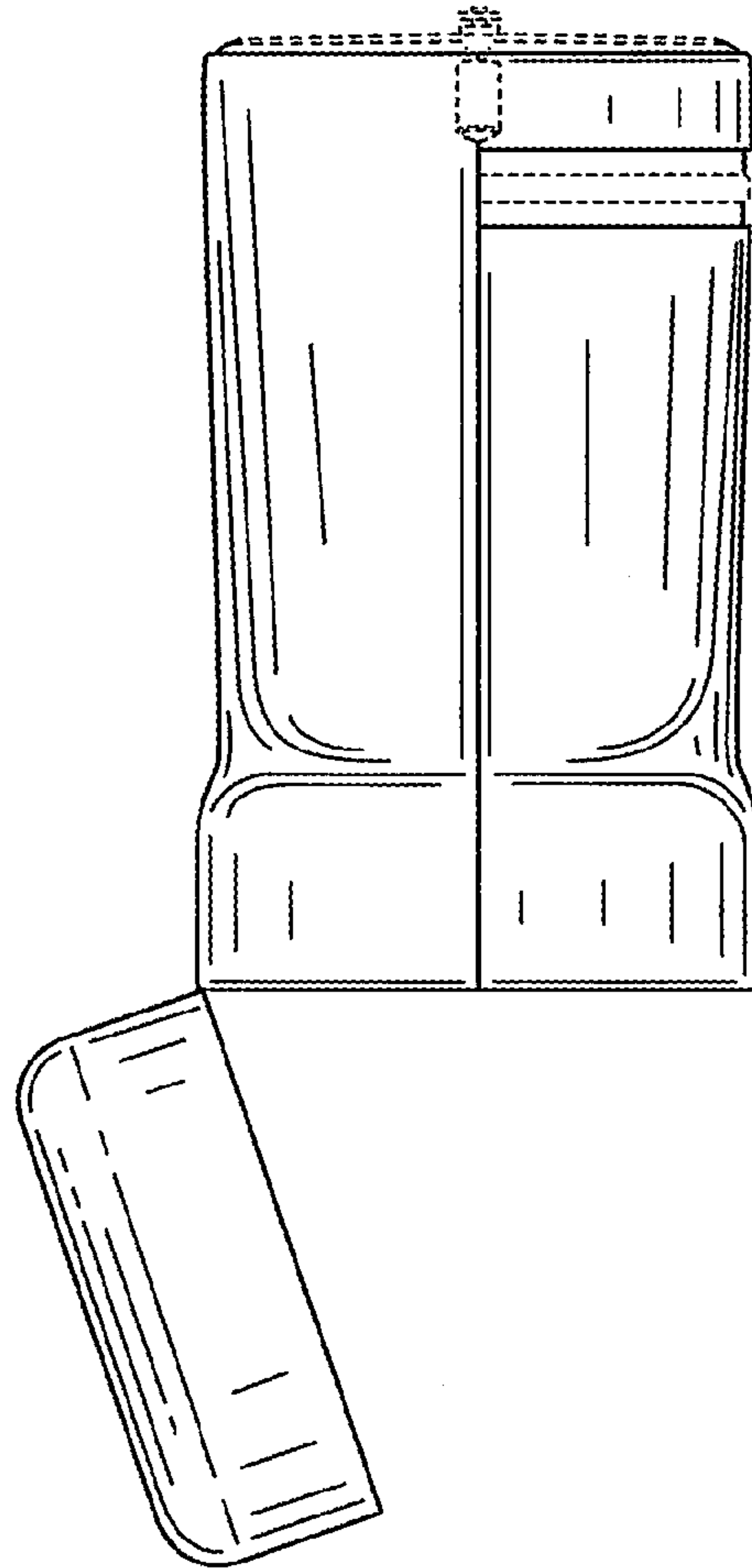
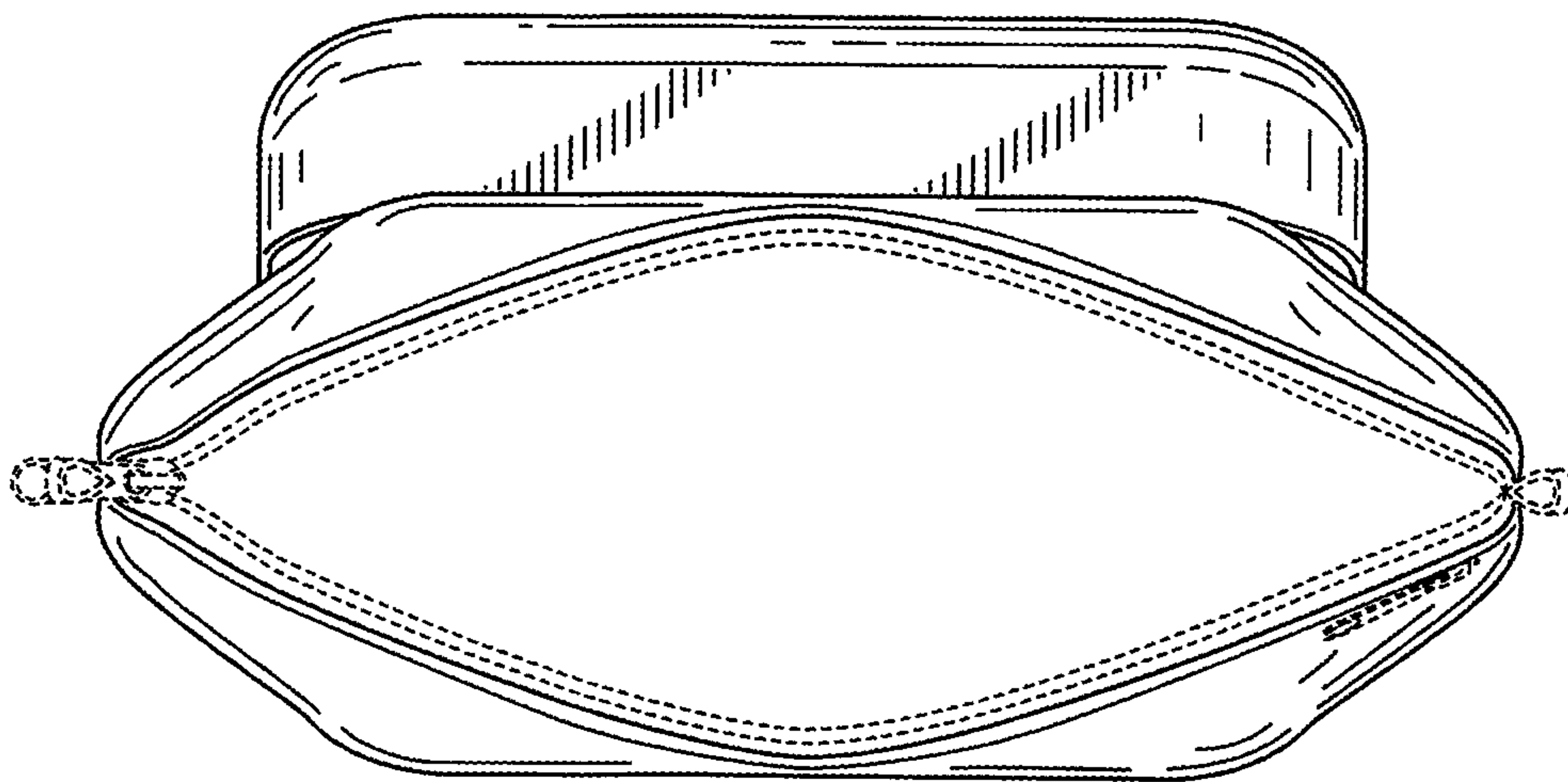
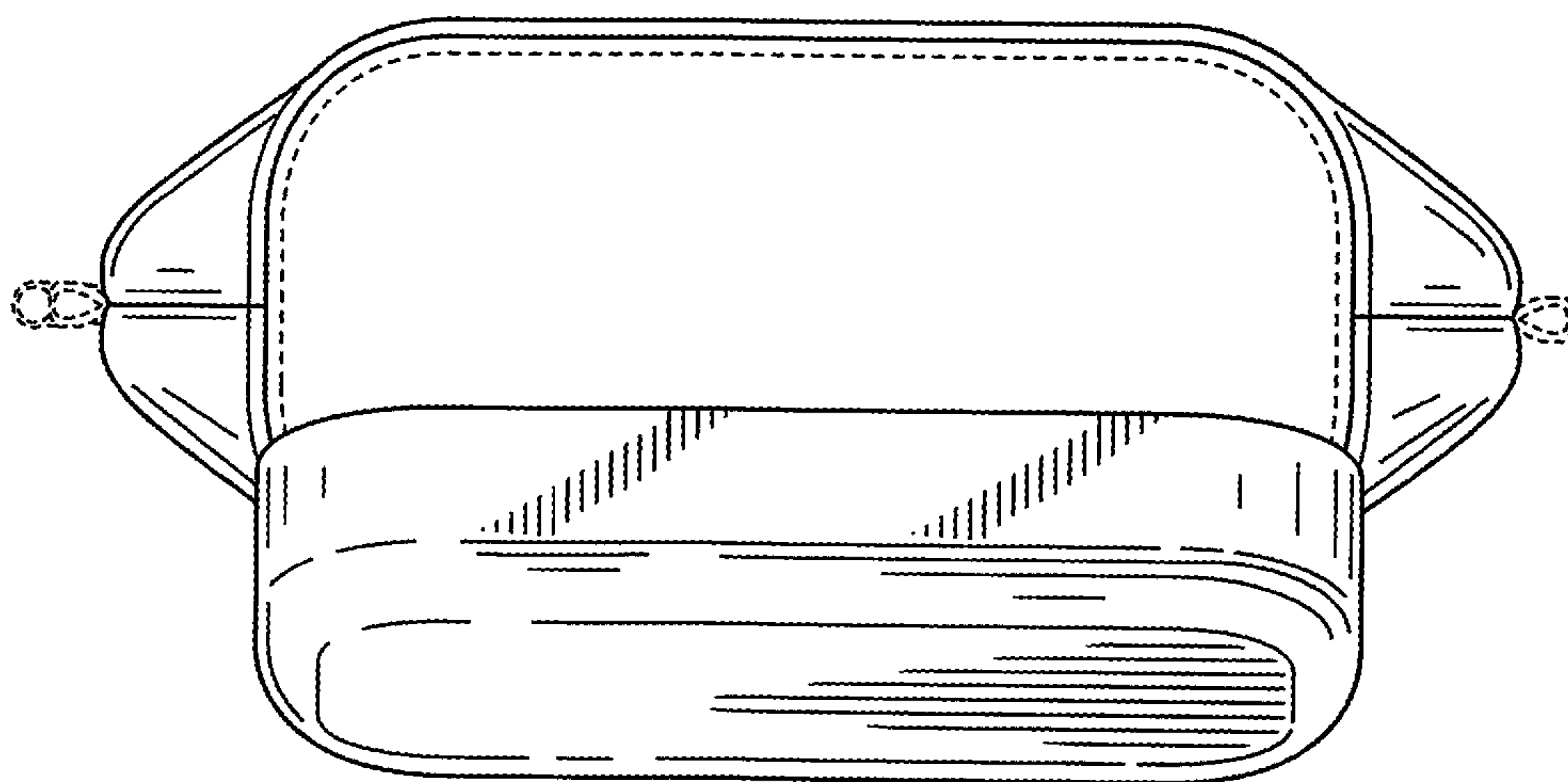


FIG. 30



**FIG. 31**



**FIG. 32**