

US00D765966S

(12) **United States Design Patent**
Dandachli

(10) **Patent No.:** **US D765,966 S**

(45) **Date of Patent:** **** Sep. 13, 2016**

- (54) **KEYCHAIN DEVICE**
- (71) Applicant: **Youssef Dandachli**, Austin, TX (US)
- (72) Inventor: **Youssef Dandachli**, Austin, TX (US)
- (73) Assignee: **Boostnatics, LLC**, Austin, TX (US)
- (**) Term: **14 Years**
- (21) Appl. No.: **29/523,124**
- (22) Filed: **Apr. 7, 2015**
- (51) **LOC (10) Cl.** **03-01**
- (52) **U.S. Cl.**
USPC **D3/211**
- (58) **Field of Classification Search**
USPC D11/1-2, 14, 26-29, 89-92, 44, 48, 81,
D11/99; 63/26-28, 32; D3/207-212; D8/16,
D8/38, 347, 348; 70/456 B, 457, 458;
206/37.1; 34/96; 219/383, 553;
417/406; 60/612
CPC ... H04R 5/033; H04R 1/1058; H04R 1/1033
See application file for complete search history.

- 8,813,384 B2 * 8/2014 Correll, Jr. A45D 20/12
34/96
- D722,763 S 2/2015 Dandachli
- D734,364 S * 7/2015 Blythe D15/5
- D740,327 S * 10/2015 Naruoka D15/5
- D751,283 S * 3/2016 Dandachli D14/435.1
- D751,685 S * 3/2016 Wanezaki D23/386

* cited by examiner

Primary Examiner — Ralf Seifert

(74) *Attorney, Agent, or Firm* — Pierson IP, PLLC

(57) **CLAIM**

The ornamental design for a keychain device, as shown and described.

DESCRIPTION

FIG. 1 is a perspective view of a keychain device showing our new design thereof;
 FIG. 2 is a front view of the keychain device shown in FIG. 1;
 FIG. 3 is a rear side view of the keychain device shown in FIG. 1;
 FIG. 4 is a first side view of the keychain device shown in FIG. 1;
 FIG. 5 is a second side view of the keychain device shown in FIG. 1;
 FIG. 6 is a top view of the keychain device shown in FIG. 1;
 FIG. 7 is a bottom view of the keychain device shown in FIG. 1; and,
 FIG. 8 is a side view of the keychain device shown in FIG. 1.
 Elements shown in broken lines show environmental structures of the keychain device and form no part of our design.

(56) **References Cited**

U.S. PATENT DOCUMENTS

- D368,269 S * 3/1996 Chapman D15/5
- 6,205,674 B1 * 3/2001 Kaizuka A45D 20/12
219/553
- 6,996,916 B2 * 2/2006 Cafaro A45D 20/10
219/383
- D543,692 S 6/2007 Lee
- D574,607 S 8/2008 Kelleghan
- D633,634 S 3/2011 van der Lande
- 8,206,133 B2 * 6/2012 Mudel F01D 25/243
417/406

1 Claim, 8 Drawing Sheets

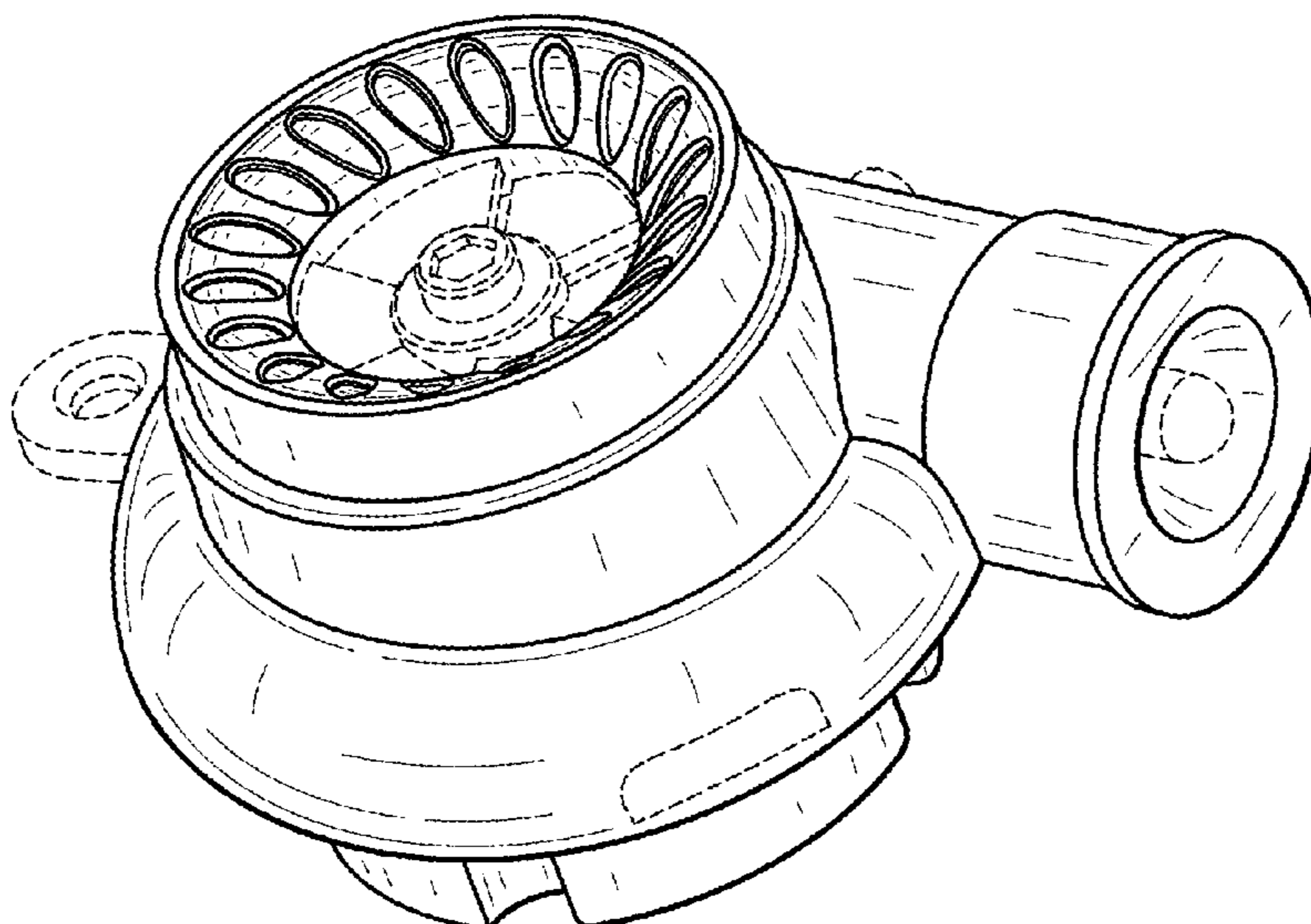


FIG. 1

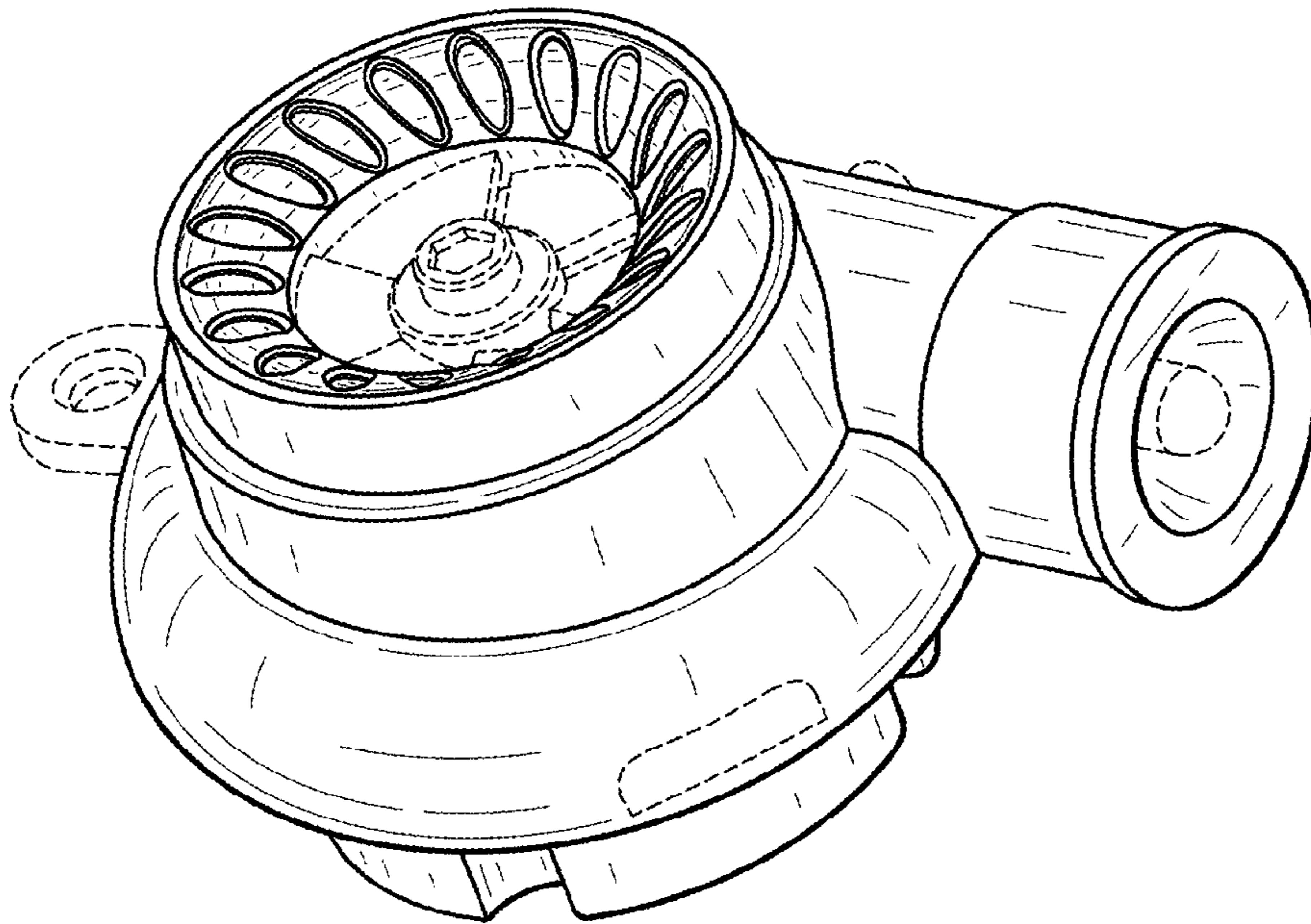


FIG. 2

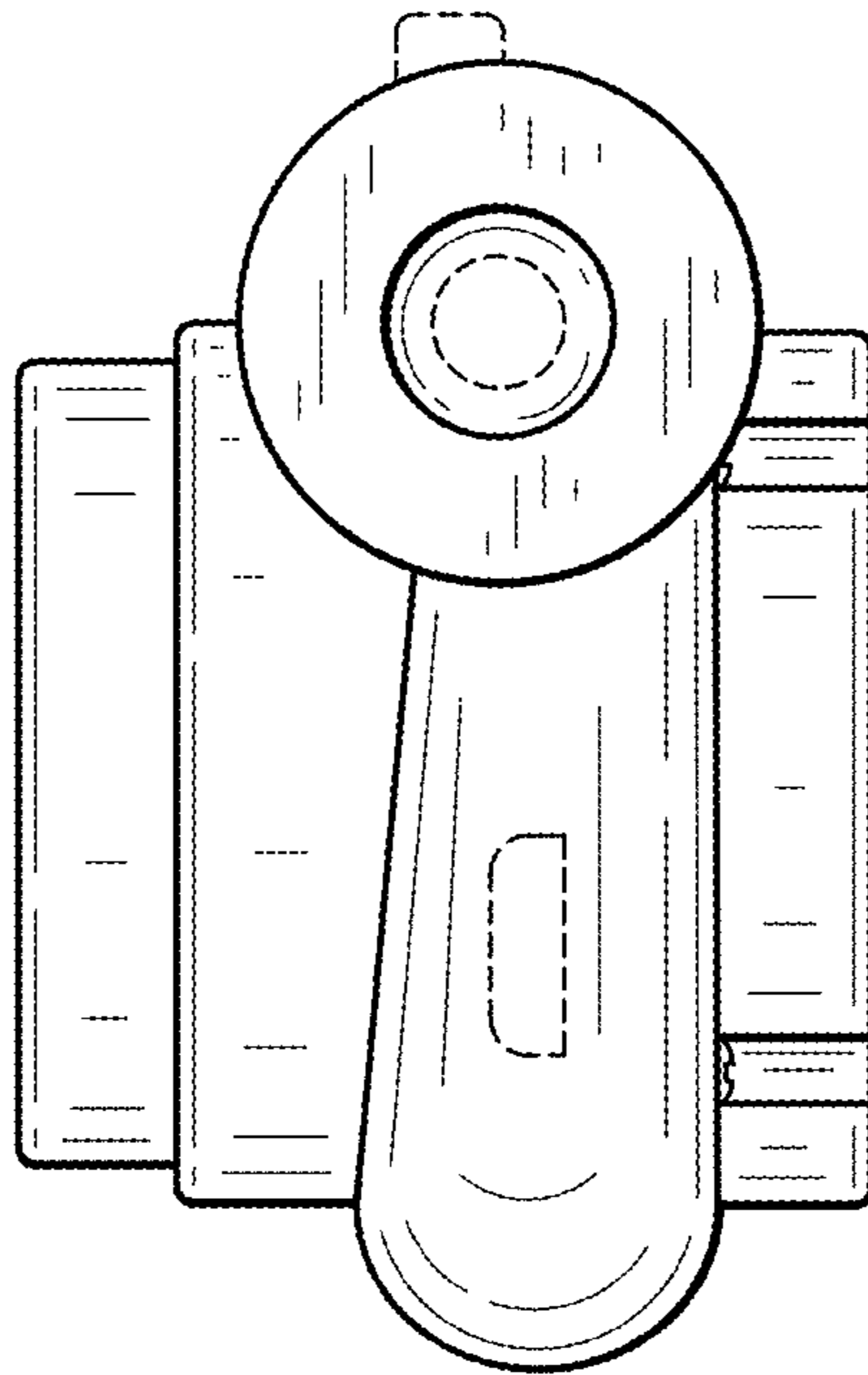


FIG. 3

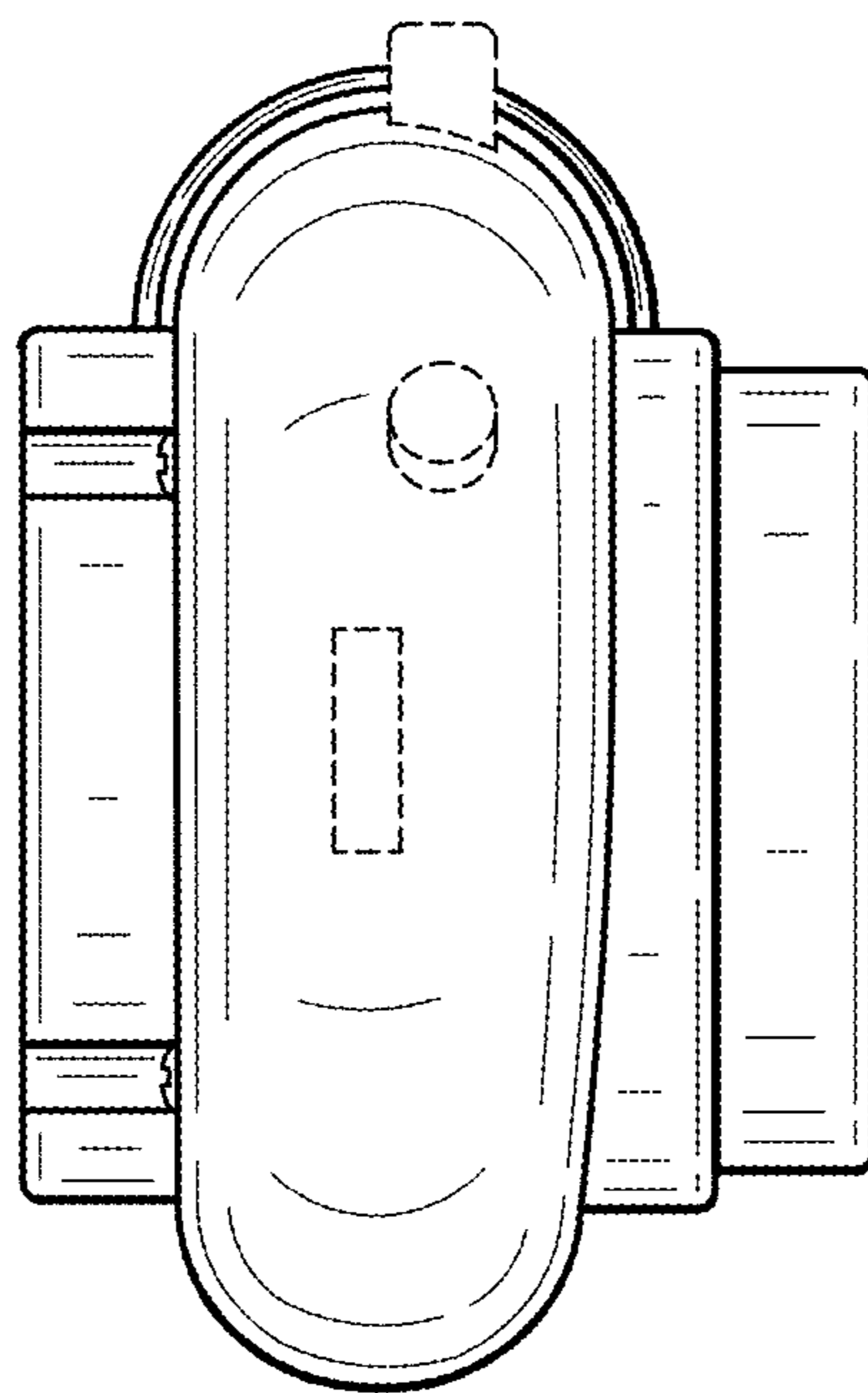


FIG. 4

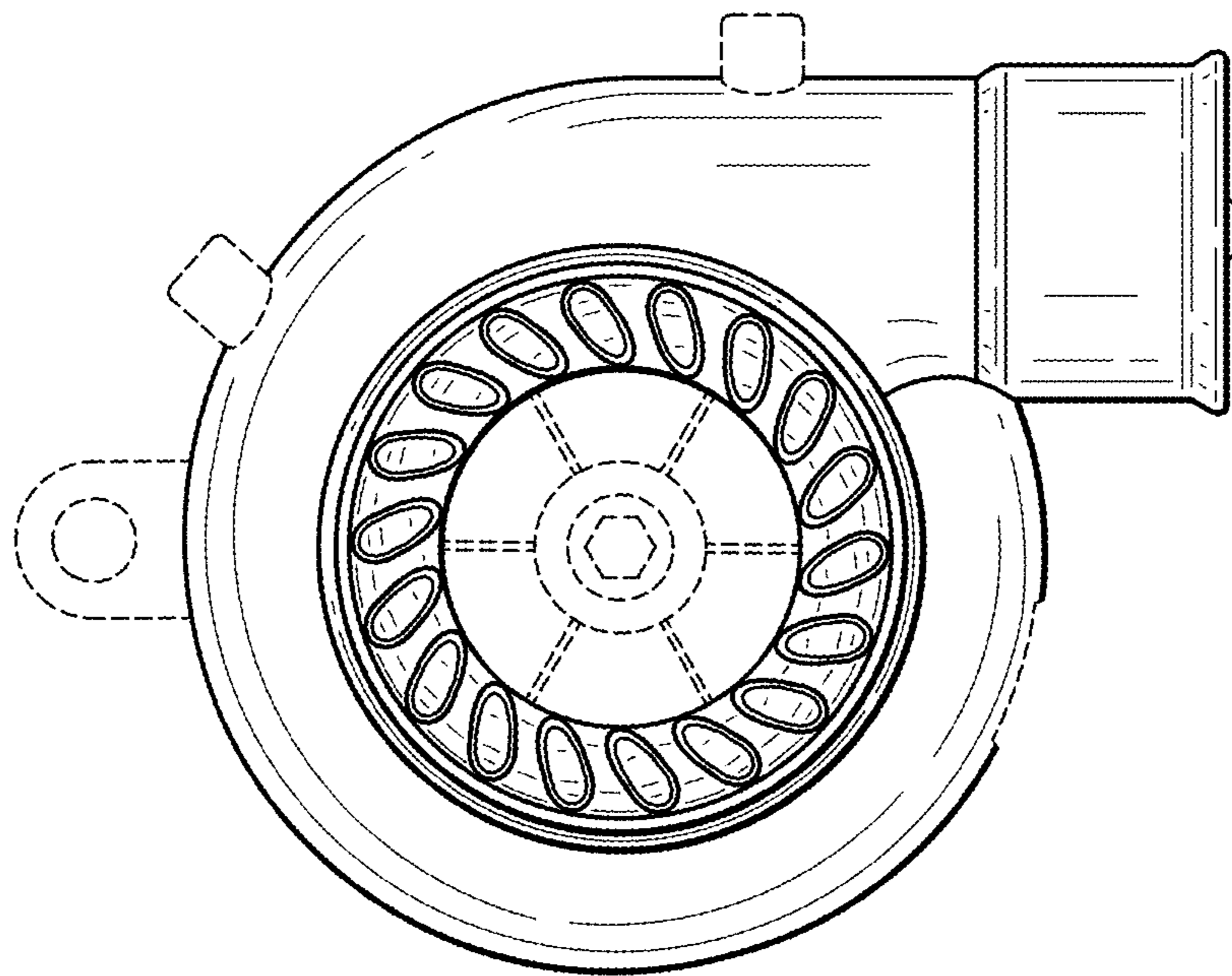


FIG. 5

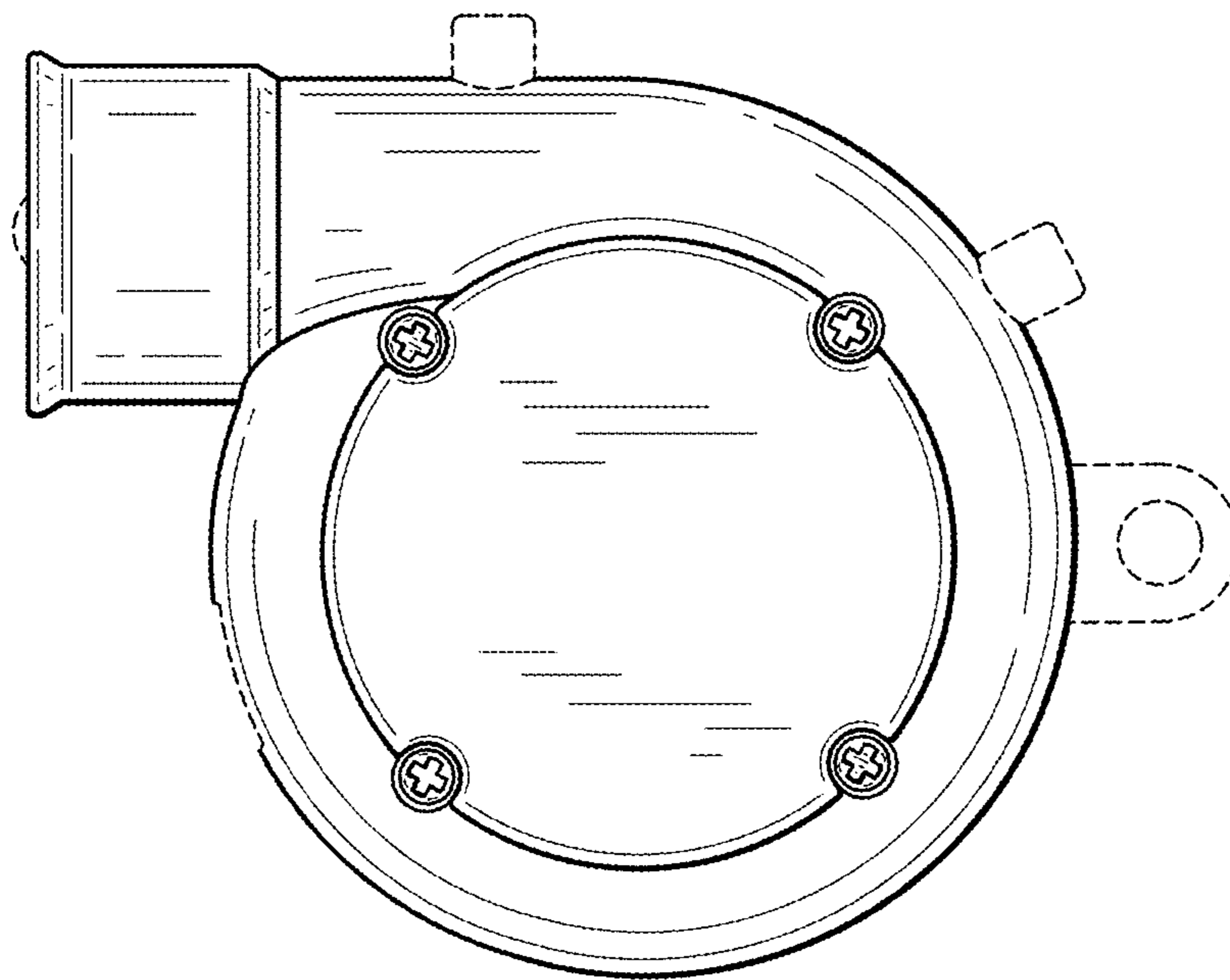


FIG. 6

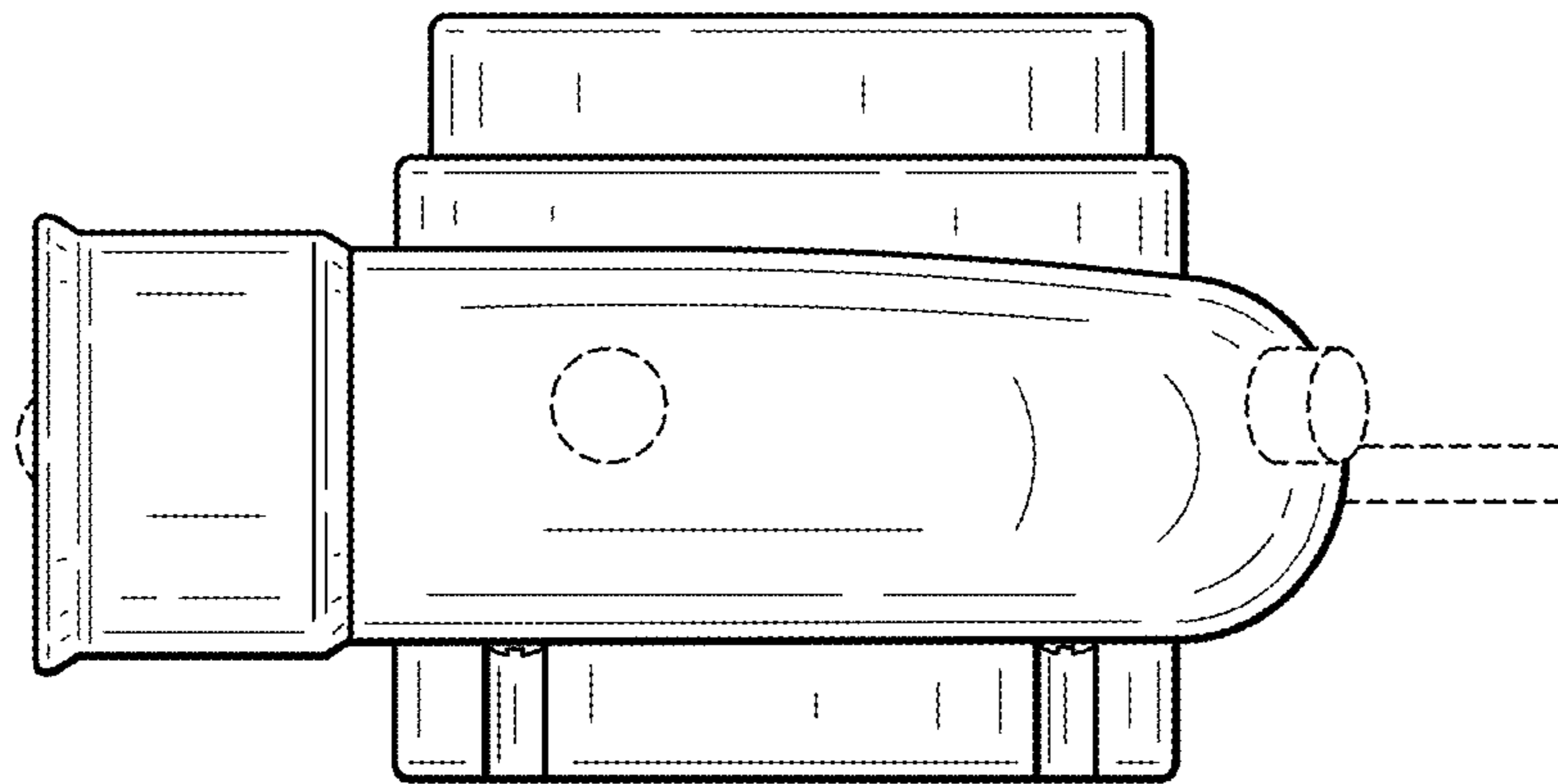


FIG. 7

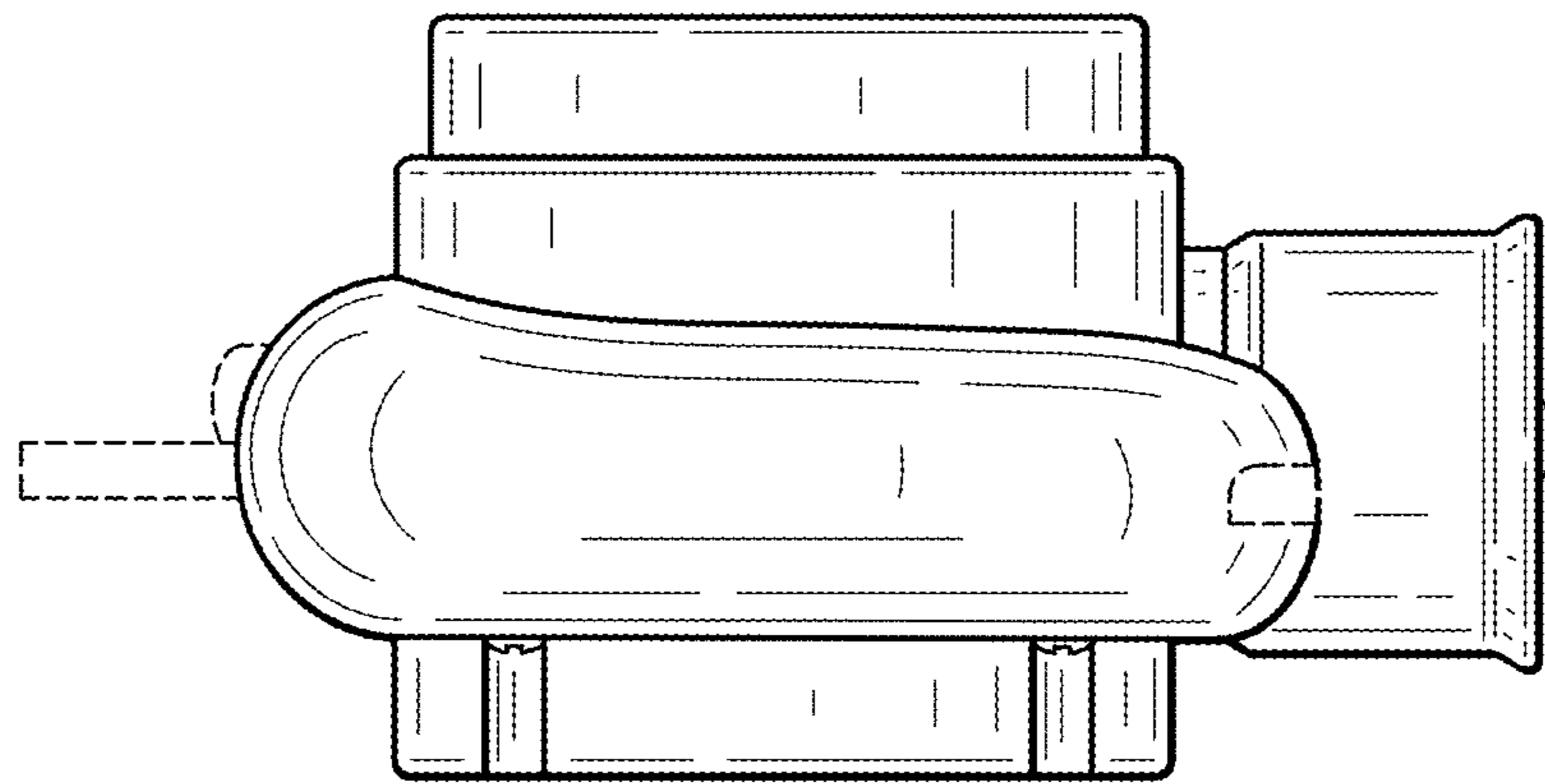


FIG. 8

