



US00D765947S

(12) **United States Design Patent** (10) **Patent No.:** **US D765,947 S**  
**McManus** (45) **Date of Patent:** **\*\* Sep. 13, 2016**

(54) **BRA**

(71) Applicant: **Lululemon Athletica Canada Inc.,**  
Vancouver (CA)  
(72) Inventor: **Niamh Siobhan McManus,**  
Ridgewood, NY (US)  
(73) Assignee: **LULULEMON ATHLETICA**  
**CANADA INC.,** Vancouver, BC (CA)

(\*\*) Term: **15 Years**

(21) Appl. No.: **29/534,230**

(22) Filed: **Jul. 27, 2015**

(51) **LOC (10) Cl.** ..... **24-04**

(52) **U.S. Cl.**  
USPC ..... **D2/708; D2/840**

(58) **Field of Classification Search**  
USPC ..... D2/700–711, 717–723, 729–737, 999  
CPC ..... A41D 1/20; A41D 1/22; A41D 1/205;  
A41D 7/00; A41D 7/001; A41D 7/003;  
A41D 7/005; A41D 7/006; A41D 7/008;  
A41D 13/05; A41D 13/0518  
See application file for complete search history.

(56) **References Cited**

**U.S. PATENT DOCUMENTS**

D140,752 S *	4/1945	Laszlo	.....	D2/737
D259,370 S *	6/1981	Schreiber	.....	D2/708
4,311,150 A *	1/1982	Schreiber	.....	A41C 3/0057
				450/70
5,823,851 A *	10/1998	Dicker	.....	A41C 3/02
				2/73
D424,279 S *	5/2000	Schaefer	.....	D2/731
7,442,110 B2 *	10/2008	Gaudet	.....	A41C 3/0057
				450/39
D635,329 S *	4/2011	Wahl	.....	D2/706
D668,837 S *	10/2012	Palladino	.....	D2/708
D671,297 S *	11/2012	Iamartino	.....	D2/708
D683,525 S *	6/2013	Iamartino	.....	D2/840
D708,820 S *	7/2014	Iamartino	.....	D2/708
D708,821 S *	7/2014	Iamartino	.....	D2/708
D709,668 S *	7/2014	Martz	.....	D2/708
D735,970 S *	8/2015	Congdon	.....	D2/708
D747,843 S *	1/2016	Gallo	.....	D2/708

**OTHER PUBLICATIONS**

DIY Halloween Costumes, posted at valleuapparel.com, earliest date available Oct. 8, 2014, [online], acquired on Apr. 11, 2016. Available from Internet, <URL: <http://www.valleuapparel.com/blog/2014/10/8/diy-halloween-costumes>>.\*  
Sport in a D Cup, posted at trainingforchocolate.com, earliest date available Jan. 12, 2015, [online], acquired on Apr. 11, 2016. Available from Internet, <URL: <http://trainingforchocolate.com/sport-in-a-d-cup-my-8-favourite-sports-bras-for-bigger-boobs/#sthash.0qsj5vOM.dpbs>>.\*  
Cyber Window Shopping Tuesday (and Wednesday, Thursday, Etc.), posted at abonnielass.com, earliest date available Jan. 14, 2014, [online], acquired on Apr. 11, 2016. Available from Internet, <URL: <https://abonnielass.com/2014/01/14/cyber-window-shopping-tuesday-and-wednesday-thursday-etc/>>.\*  
10 Sports Bras That Won't Salt Your Workout Style, posted at brit.co, earliest date available Jan. 2, 2014, [online], acquired on Apr. 11, 2016. Available from Internet, <URL: <http://www.brit.co/sports-bras-roundup/>>.\*

\* cited by examiner

*Primary Examiner* — Manpreet Matharu  
*Assistant Examiner* — Aula Soroush  
(74) *Attorney, Agent, or Firm* — McAndrews, Held & Malloy, Ltd.

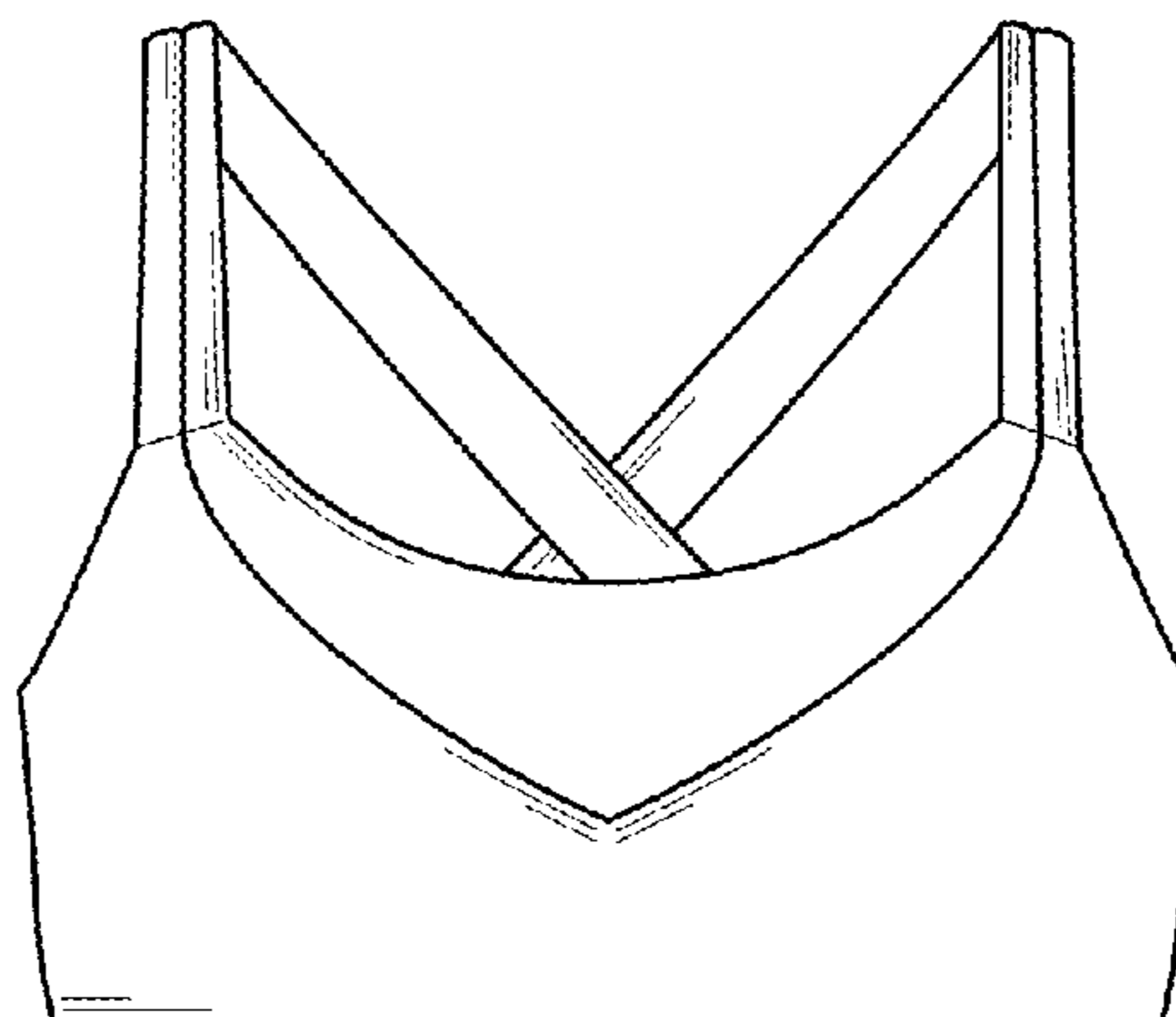
(57) **CLAIM**

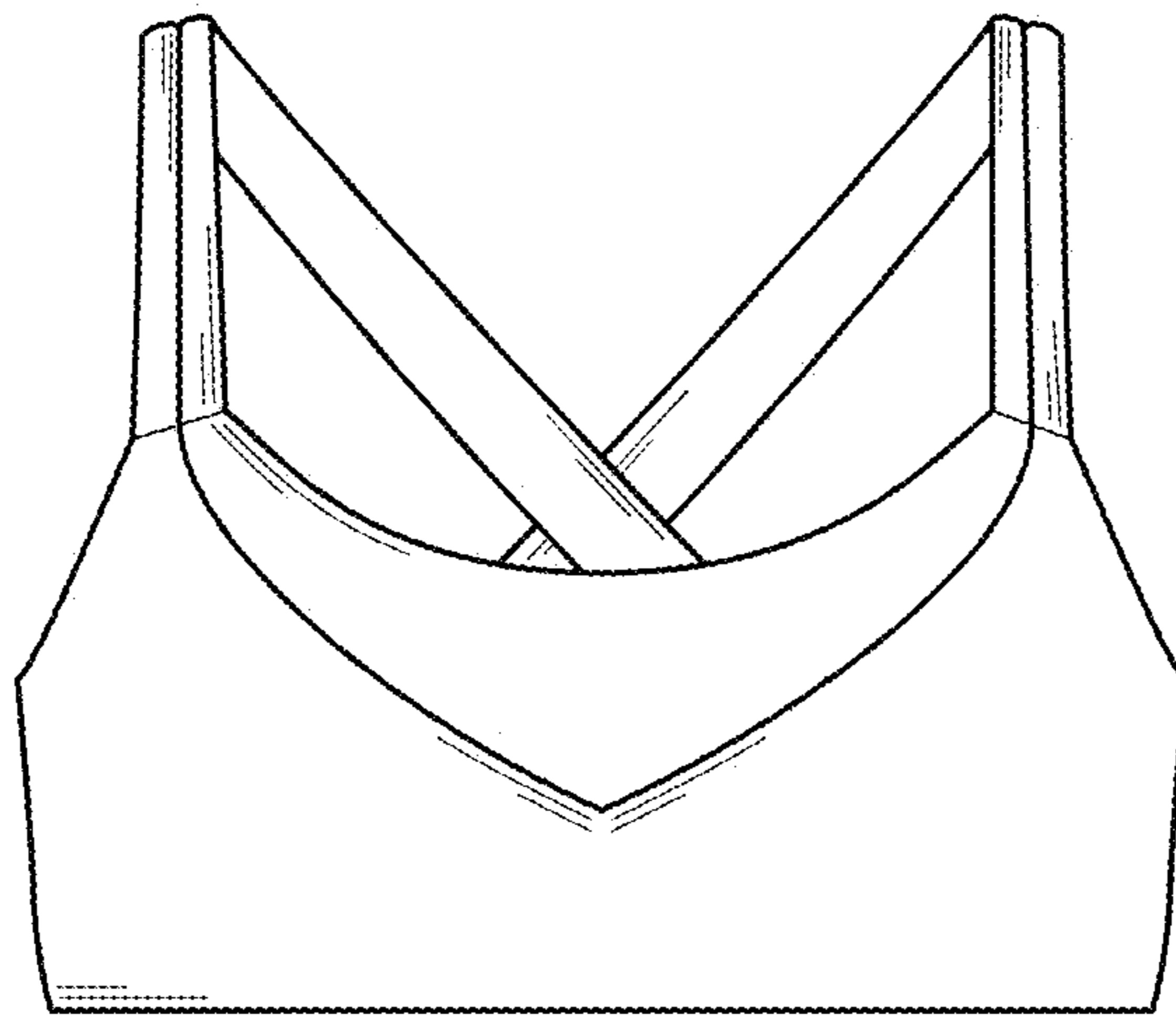
The ornamental design for a bra, as shown and described.

**DESCRIPTION**

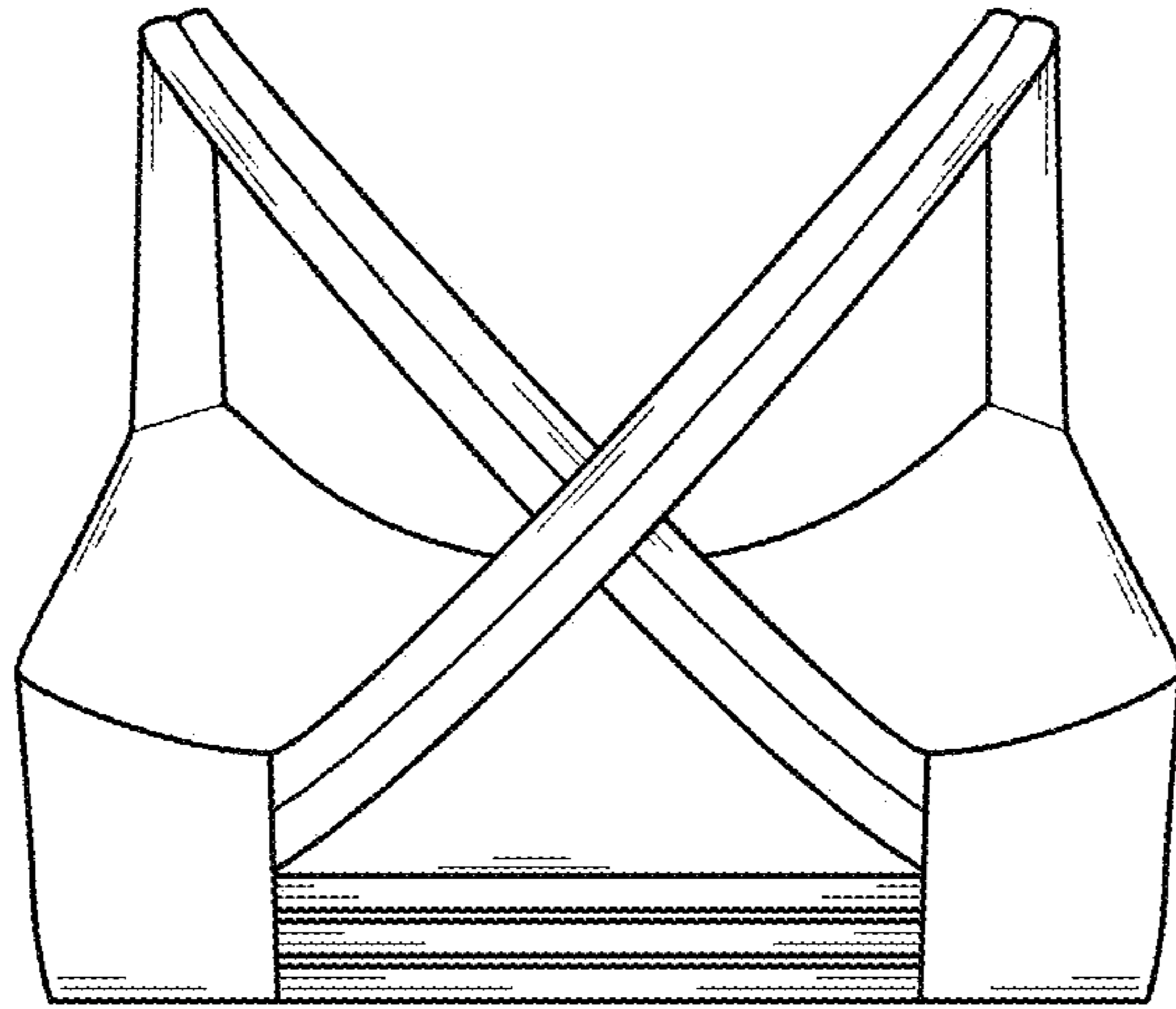
FIG. 1 is a front view of an embodiment of a bra showing my new design;  
FIG. 2 is a rear view thereof;  
FIG. 3 is a right side view thereof;  
FIG. 4 is a left side view thereof;  
FIG. 5 is a front left perspective view thereof;  
FIG. 6 is a rear perspective view thereof; and,  
FIG. 7 is another rear view thereof.  
The broken lines showing a human figure in FIG. 7 illustrates environmental subject matter and forms no part of the claimed design.

**1 Claim, 7 Drawing Sheets**

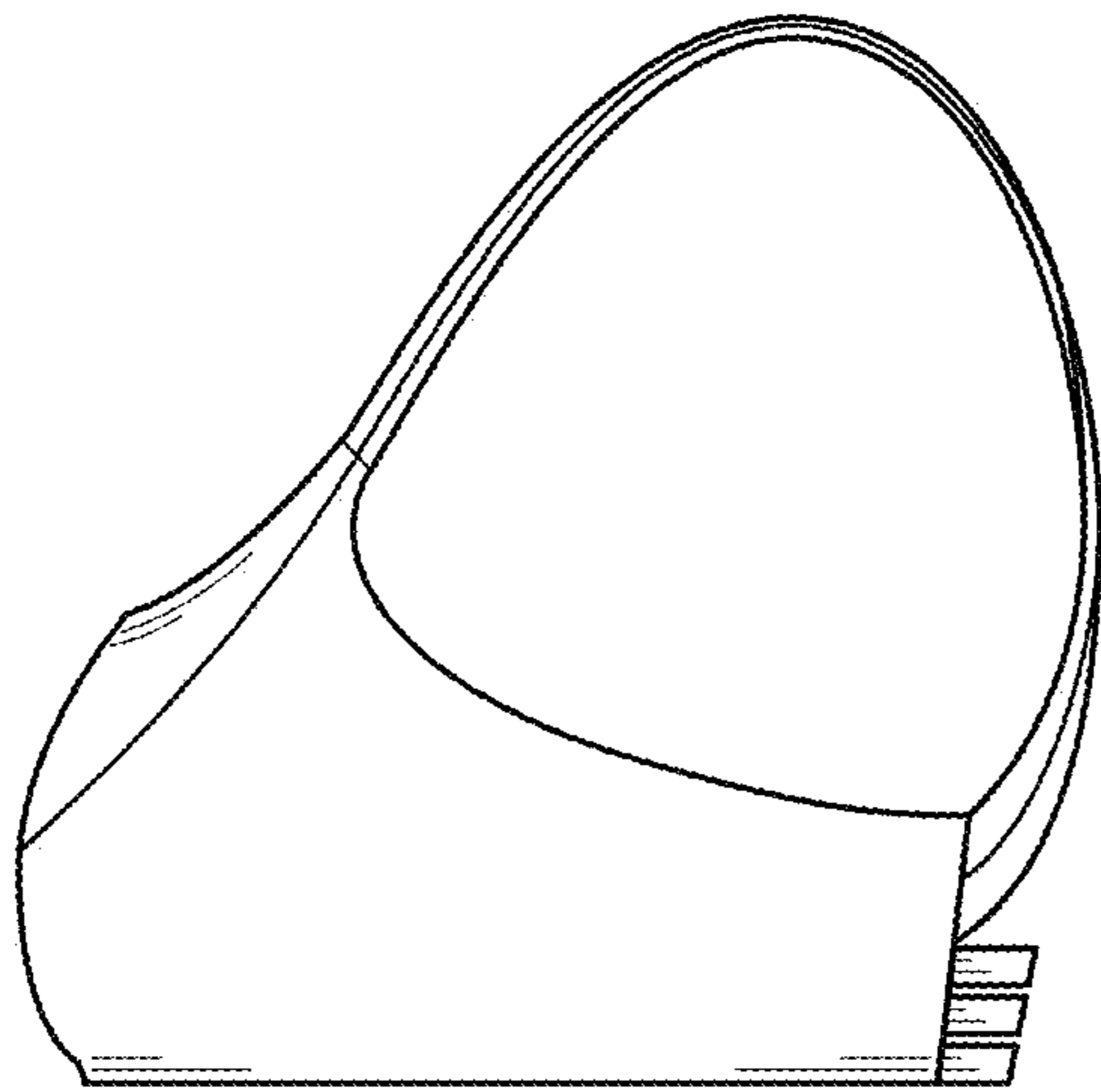




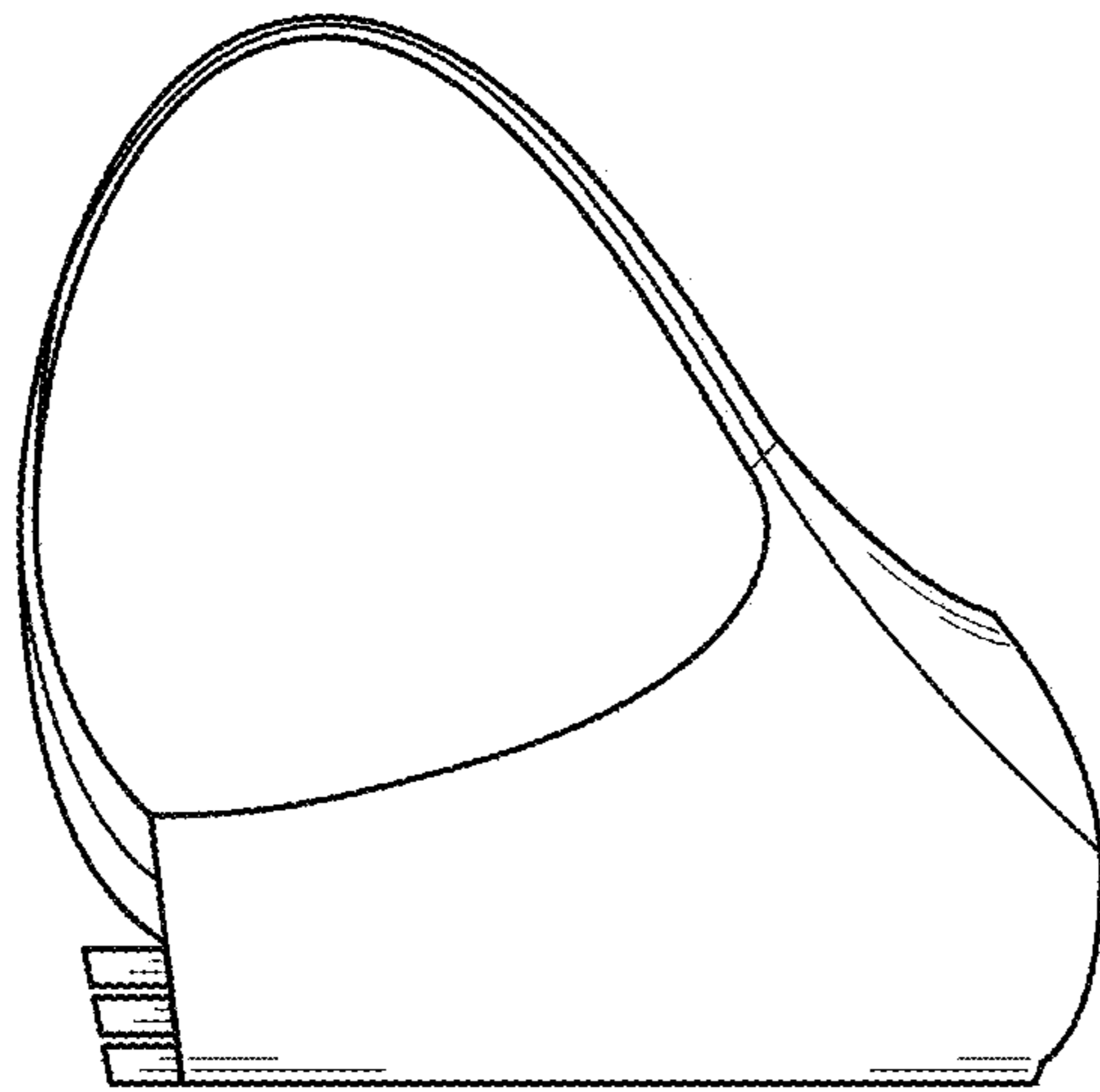
**FIG. 1**



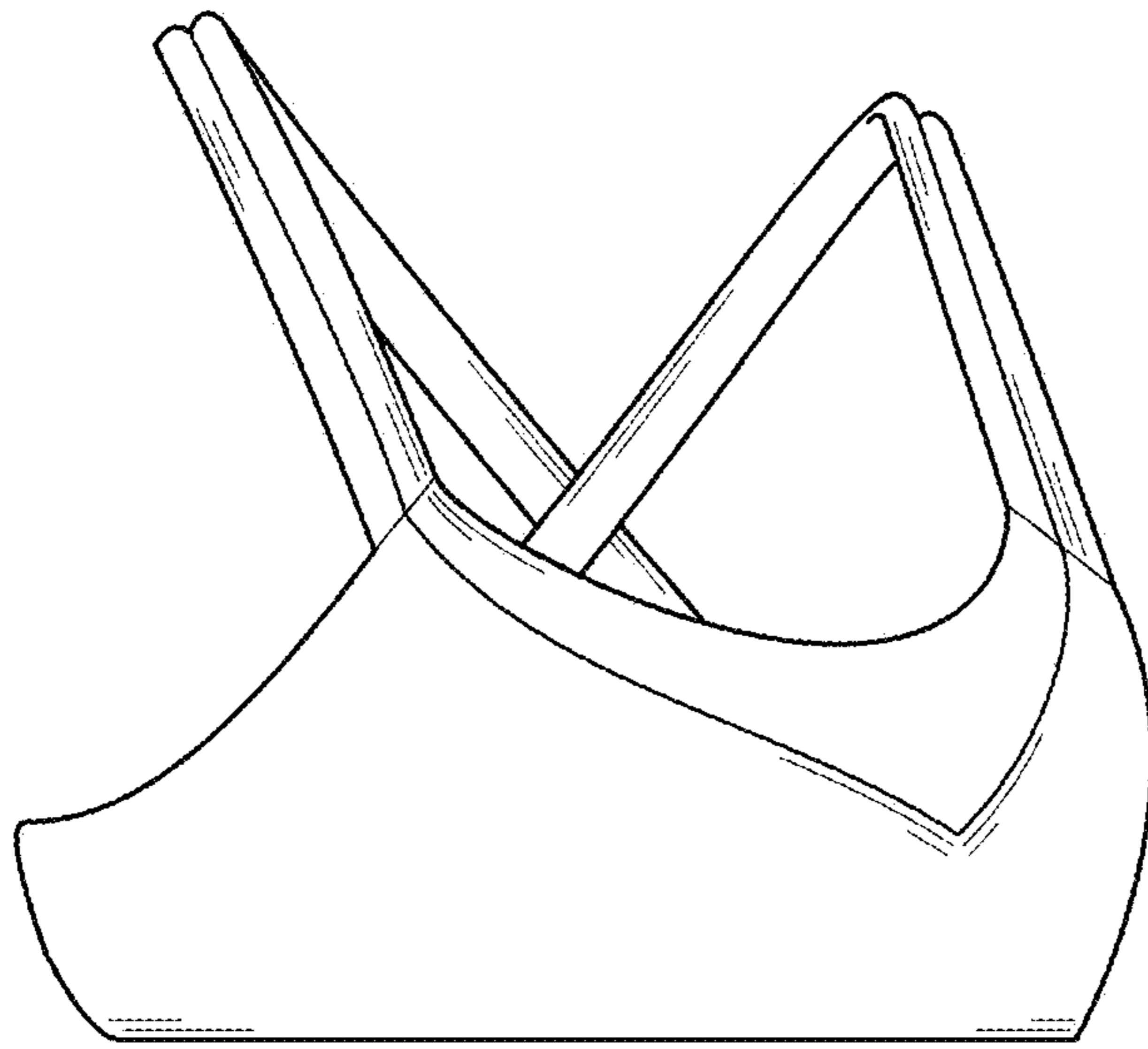
**FIG. 2**



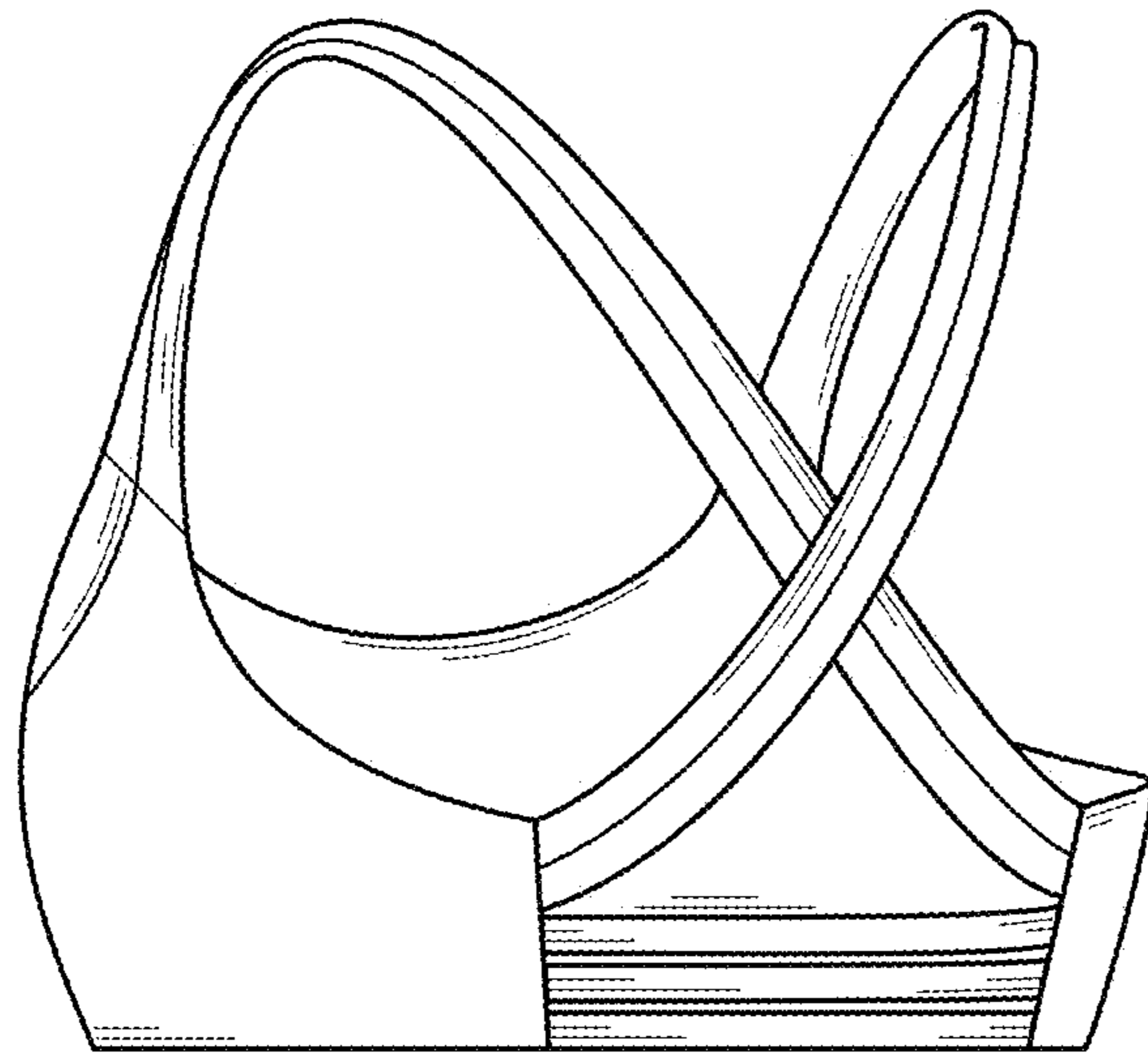
**FIG. 3**



**FIG. 4**



**FIG. 5**



**FIG. 6**

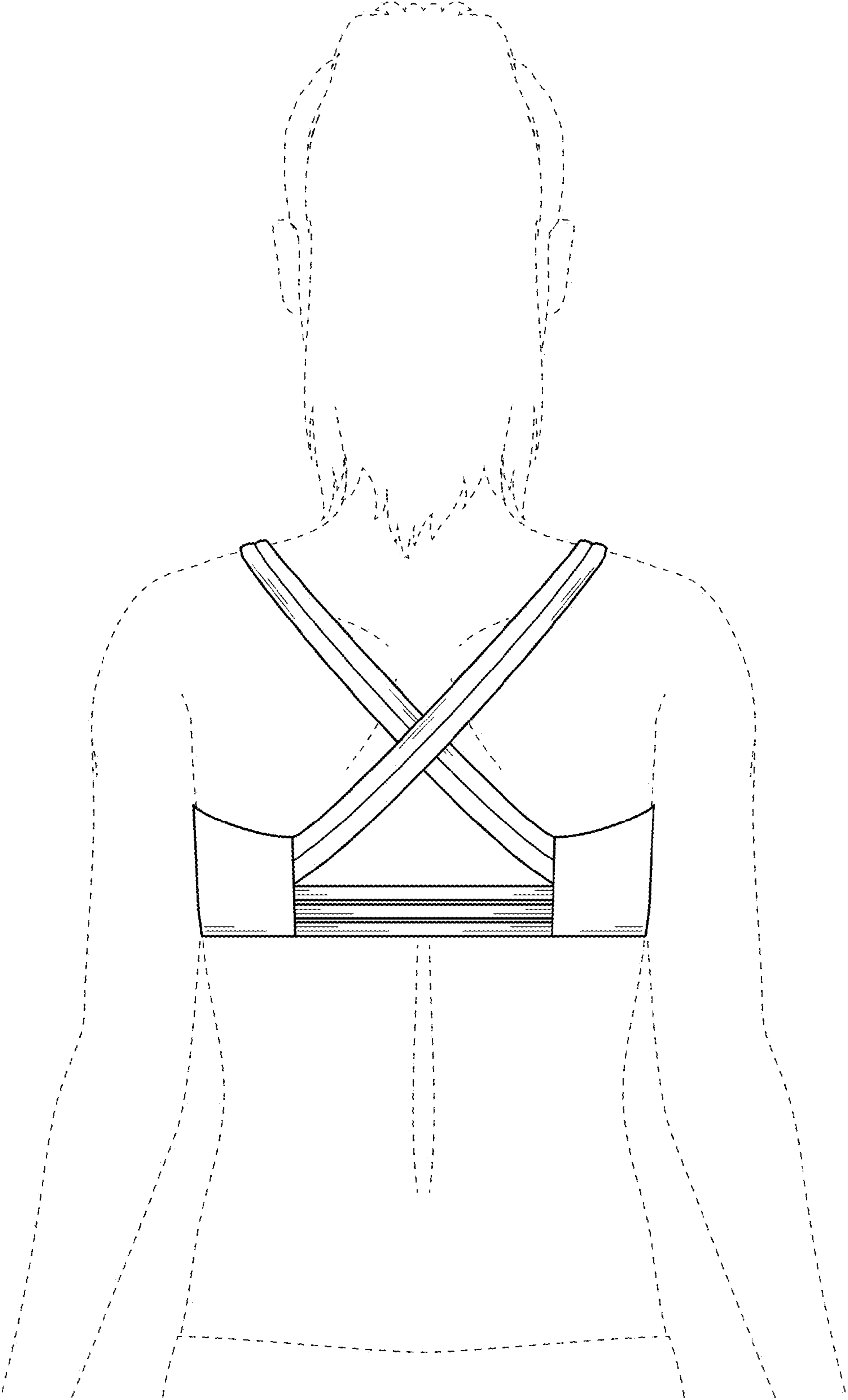


FIG. 7