



US00D765943S

(12) **United States Design Patent**  
**Guidolin**

(10) **Patent No.:** **US D765,943 S**

(45) **Date of Patent:** **\*\* Sep. 13, 2016**

(54) **SNACK**

(71) Applicant: **MAFIN S.P.A.**, Galliera Veneta (IT)

(72) Inventor: **Eraldo Guidolin**, Galliera Veneta (IT)

(73) Assignee: **MAFIN S:p.A.**, Galliera Veneta (IT)

(\*\*) Term: **15 Years**

(21) Appl. No.: **29/505,222**

(22) Filed: **Aug. 3, 2015**

(30) **Foreign Application Priority Data**

Feb. 5, 2015 (EP) ..... 002627463

(51) **LOC (10) Cl.** ..... **01-01**

(52) **U.S. Cl.**  
USPC ..... **D1/128**

(58) **Field of Classification Search**  
USPC ..... D1/100–130, 199; 426/94, 104, 138,  
426/144, 391, 549, 808, 143, 559, 560;  
D7/388, 359, 409; D6/606; D25/38.1,  
D25/100, 114, 119, 138, 140, 141; 119/710;  
D9/456; 428/174, 182; 521/79; 72/301;  
D23/365; 52/312, 560  
CPC ..... A21D 13/0029; A21D 13/0074;  
A21D 13/0022; A21D 13/0006; A23L  
1/1641; A23L 1/005

See application file for complete search history.

(56) **References Cited**

**U.S. PATENT DOCUMENTS**

1,877,481 A \* 9/1932 Prouty ..... E04D 1/04  
428/163  
2,769,715 A \* 11/1956 Stahmer ..... A23L 1/2163  
426/144  
D266,030 S \* 9/1982 Madonia ..... 426/144  
4,508,739 A \* 4/1985 Ryan ..... A23L 1/2161  
426/144  
5,665,190 A \* 9/1997 Sansano Sanz ..... B27D 1/08  
156/154

D390,423 S \* 2/1998 Stivender ..... D7/624.1  
D418,926 S \* 1/2000 Owens ..... D25/138  
D431,891 S \* 10/2000 Zhang ..... D1/121  
7,048,984 B2 \* 5/2006 Seth ..... A44B 18/0053  
24/452  
D647,687 S \* 11/2011 Andren ..... D1/128  
D657,858 S \* 4/2012 Platt ..... D23/365  
D657,859 S \* 4/2012 Platt ..... D23/365  
D663,490 S \* 7/2012 Haaf ..... D30/160  
D691,400 S \* 10/2013 Young ..... D6/596  
D706,017 S \* 6/2014 King ..... D1/199  
D716,523 S \* 11/2014 King ..... D1/199  
D717,516 S \* 11/2014 King ..... D1/125  
D734,169 S \* 7/2015 Harper ..... D9/756  
D741,041 S \* 10/2015 Walker ..... D1/121

**OTHER PUBLICATIONS**

Hazzelelponi. "Sun Chips." Deviant Art. May 26, 2011. Web. Apr. 28, 2016. <<http://hazzelelponi.deviantart.com/art/Sun-Chips-196859851>>.\*

\* cited by examiner

*Primary Examiner* — Garth Rademaker

*Assistant Examiner* — Katie S Mroczka

(74) *Attorney, Agent, or Firm* — Modiano & Associati;  
Daniel J. O'Byrne

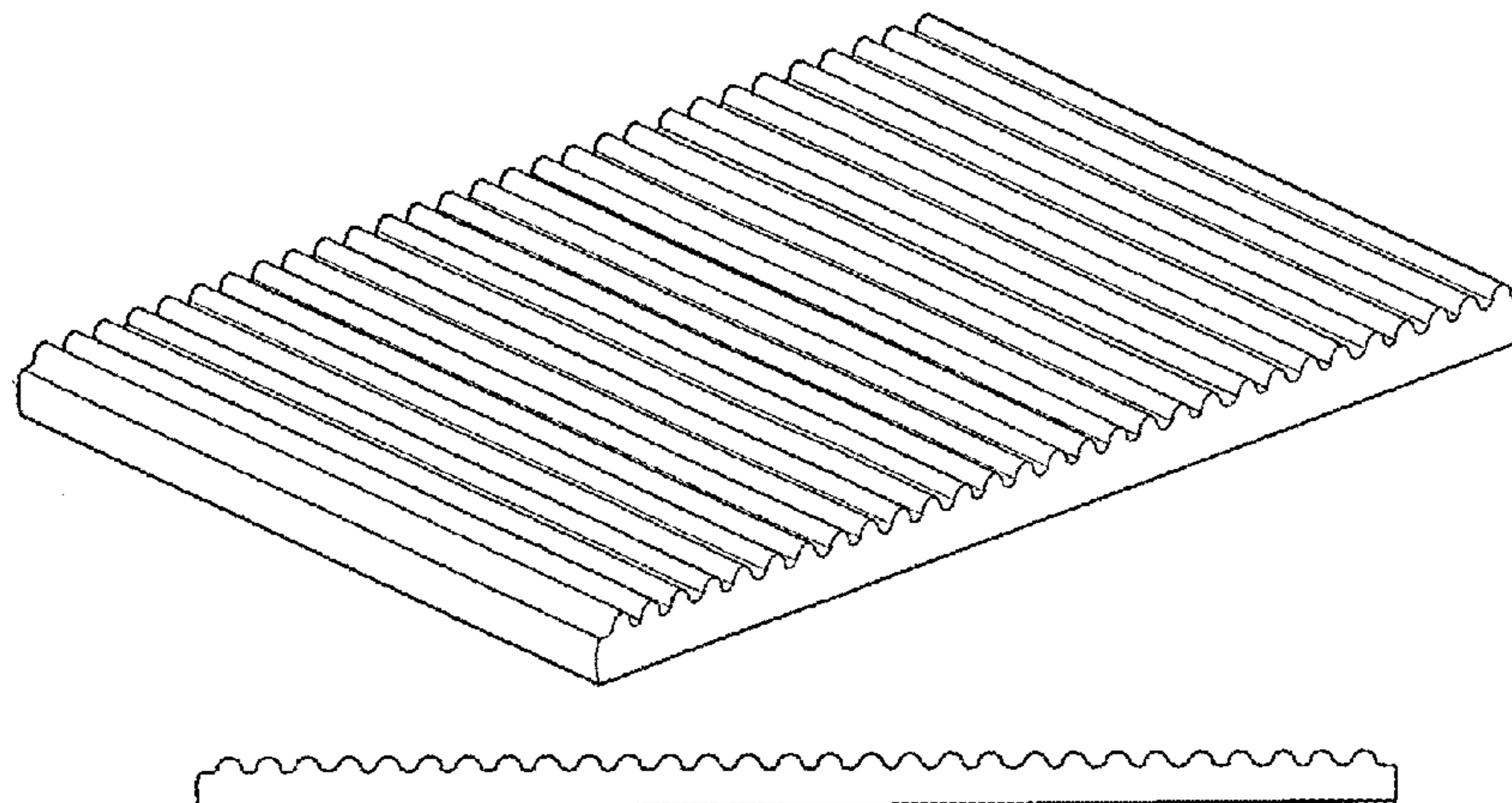
(57) **CLAIM**

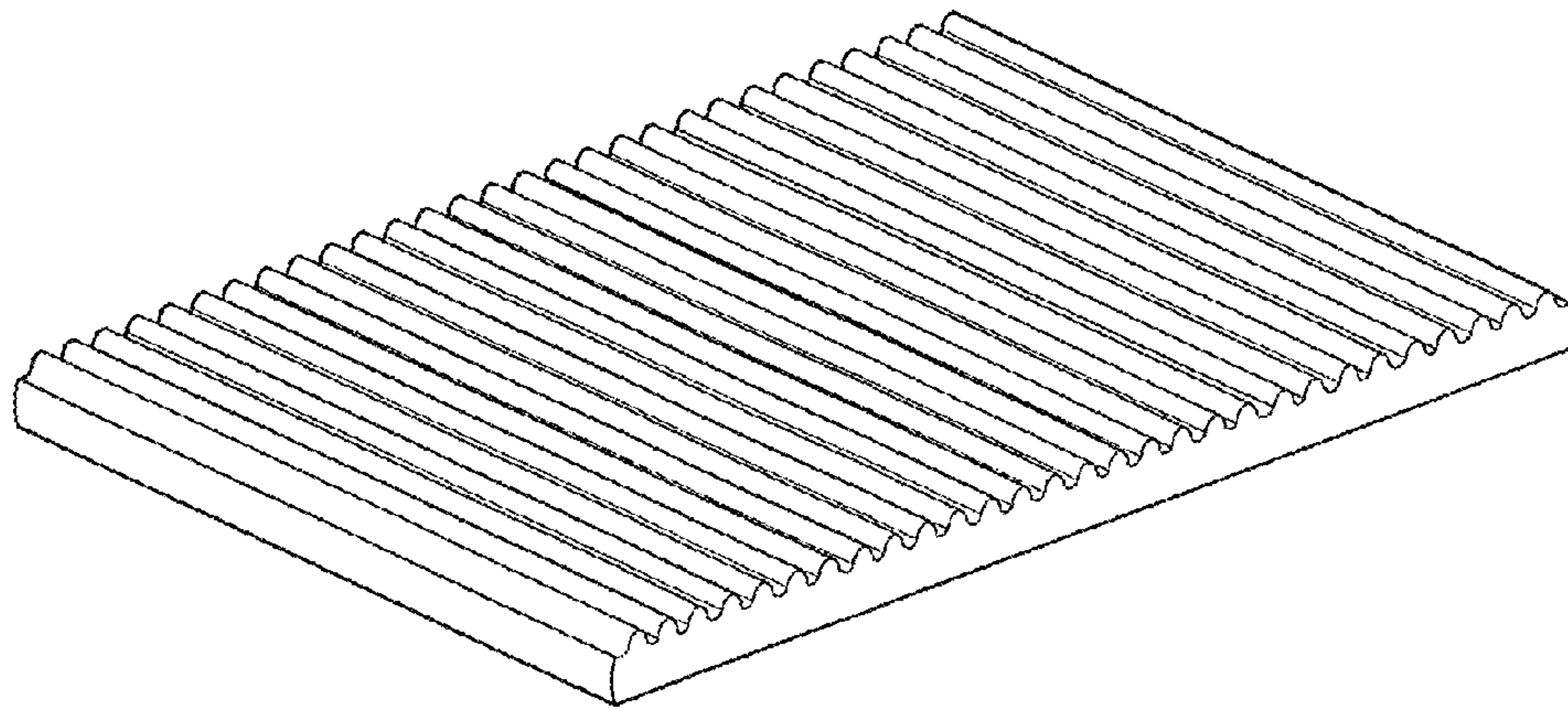
The ornamental design for a snack, as shown.

**DESCRIPTION**

FIG. 1 is a perspective view of a snack showing my new design;  
FIG. 2 is a front view thereof;  
FIG. 3 is a rear view thereof;  
FIG. 4 is a left side view thereof;  
FIG. 5 is a right side view thereof;  
FIG. 6 is a top view thereof; and,  
FIG. 7 is a bottom view thereof.

**1 Claim, 3 Drawing Sheets**





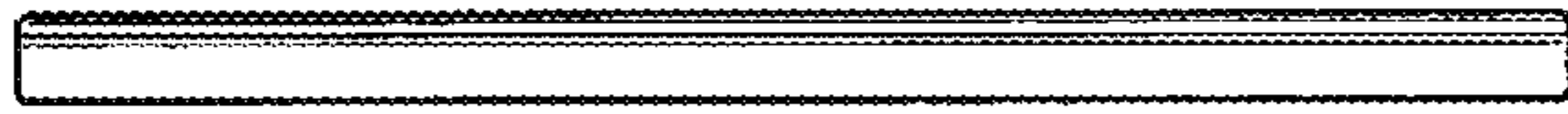
*Fig. 1*



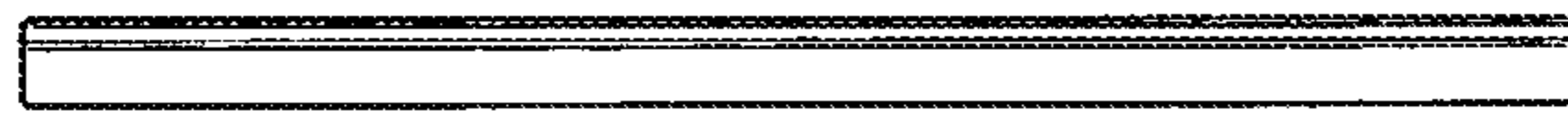
*Fig. 2*



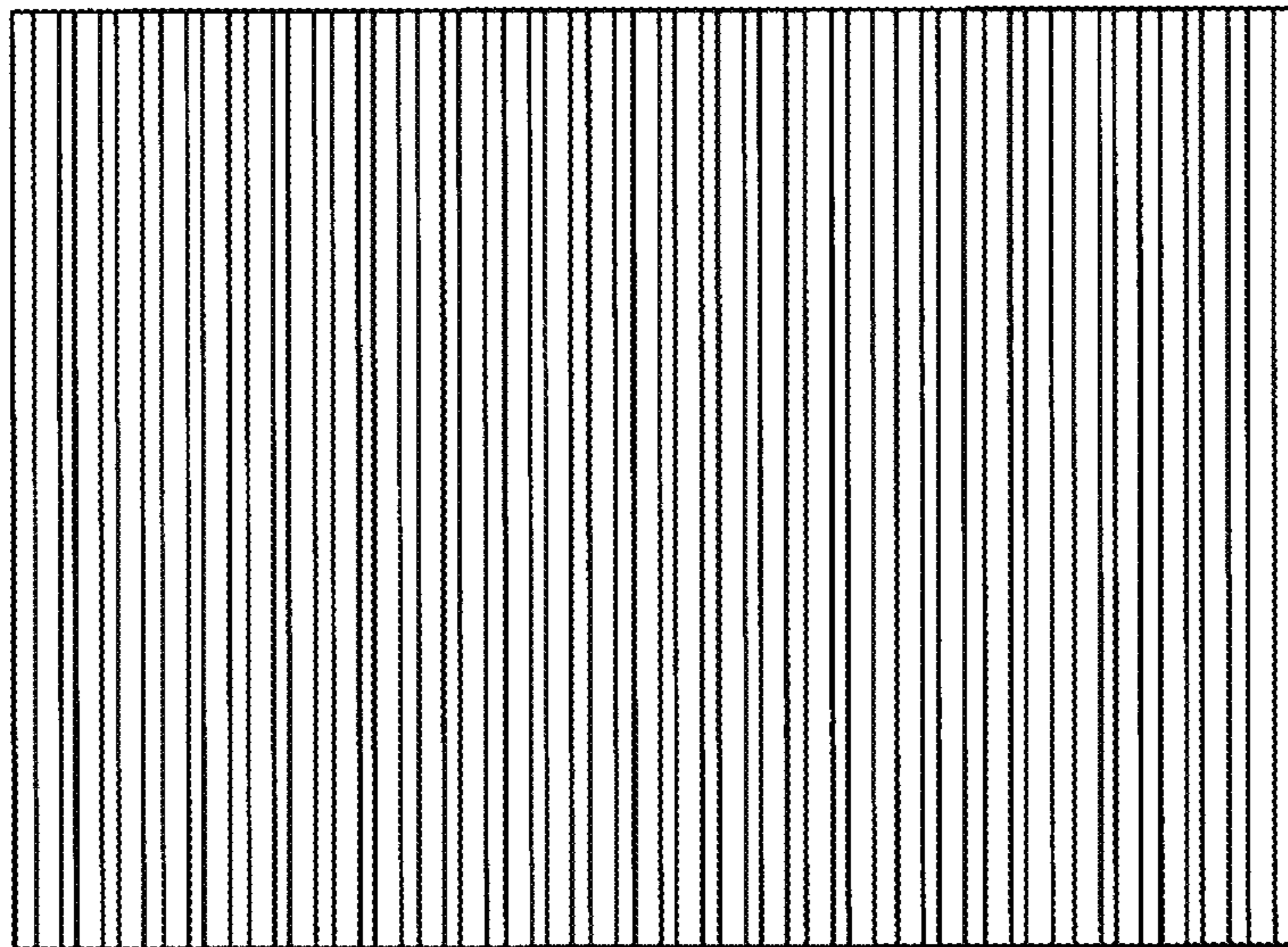
*Fig. 3*



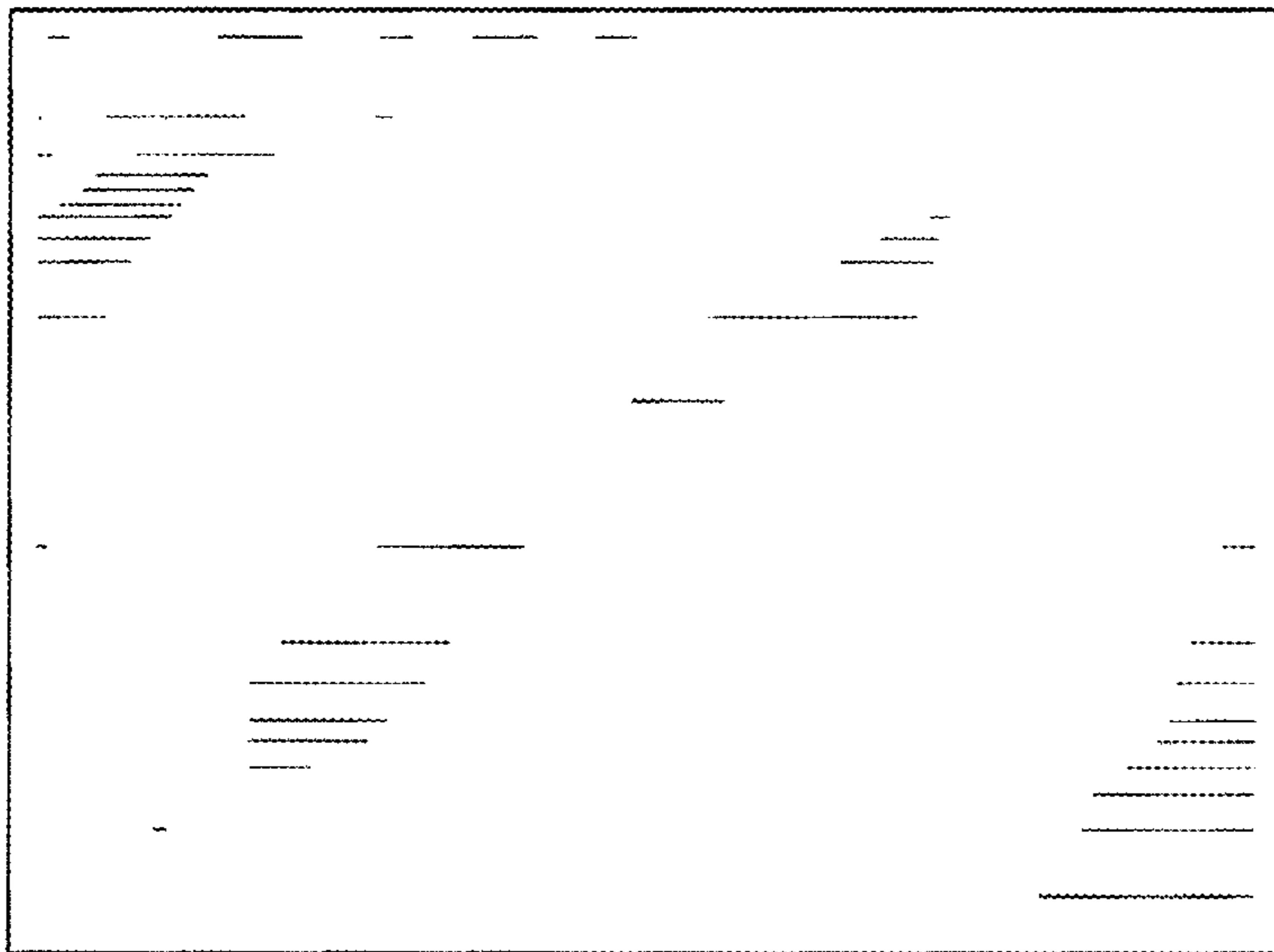
*Fig. 4*



*Fig. 5*



*Fig. 6*



*Fig. 7*