



US00D765942S

(12) **United States Design Patent**  
**Boulton et al.**

(10) **Patent No.:** **US D765,942 S**

(45) **Date of Patent:** **\*\* Sep. 13, 2016**

(54) **CHOCOLATE BAR**  
(71) Applicant: **Kraft Foods R&D, Inc.**, Deerfield, IL (US)  
(72) Inventors: **Oliver James Boulton**, Birmingham (GB); **Ricardo Carvajal**, Birmingham (GB)  
(73) Assignee: **Kraft Foods R&D, Inc.**, Deerfield, IL (US)

3,941,892 A \* 3/1976 Glasser ..... A23L 1/322  
426/104  
4,215,104 A \* 7/1980 Ullman ..... A61K 9/2072  
424/467  
D328,964 S \* 9/1992 Karppinen ..... D1/129  
D373,452 S \* 9/1996 Gobble ..... D1/125  
D394,535 S \* 5/1998 Villota ..... D1/106  
D443,972 S \* 6/2001 Reardon ..... D1/129  
D473,993 S \* 5/2003 Hayes-Jacobson ..... D1/121

(Continued)

(\*\*) Term: **14 Years**  
(21) Appl. No.: **29/517,055**  
(22) Filed: **Feb. 9, 2015**

OTHER PUBLICATIONS  
sweetmatterphysicist. "Hands Off—Tony's Chocolonely." Sweet Matter Physicist. Oct. 11, 2013. Web. Jan. 7, 2016. <<http://sweetmatterphysicist.com/hands-off-tonys-chocolonely/>>.\*

(30) **Foreign Application Priority Data**  
Sep. 11, 2014 (EM) ..... 002536425-0003  
(51) **LOC (10) Cl.** ..... **01-01**  
(52) **U.S. Cl.**  
USPC ..... **D1/121; D1/127**  
(58) **Field of Classification Search**  
USPC ..... D1/100–130, 199; 426/5, 104, 249,  
426/275, 660; D24/101–104; 273/429;  
D9/707, 516, 661; D28/8.1; D14/433;  
D7/354, 359, 391, 672; D15/90  
CPC ..... A23G 3/54; A23G 4/20; A23G 3/343;  
A23G 3/36; A23G 3/28; A61K 9/2072;  
A61K 9/2095  
See application file for complete search history.

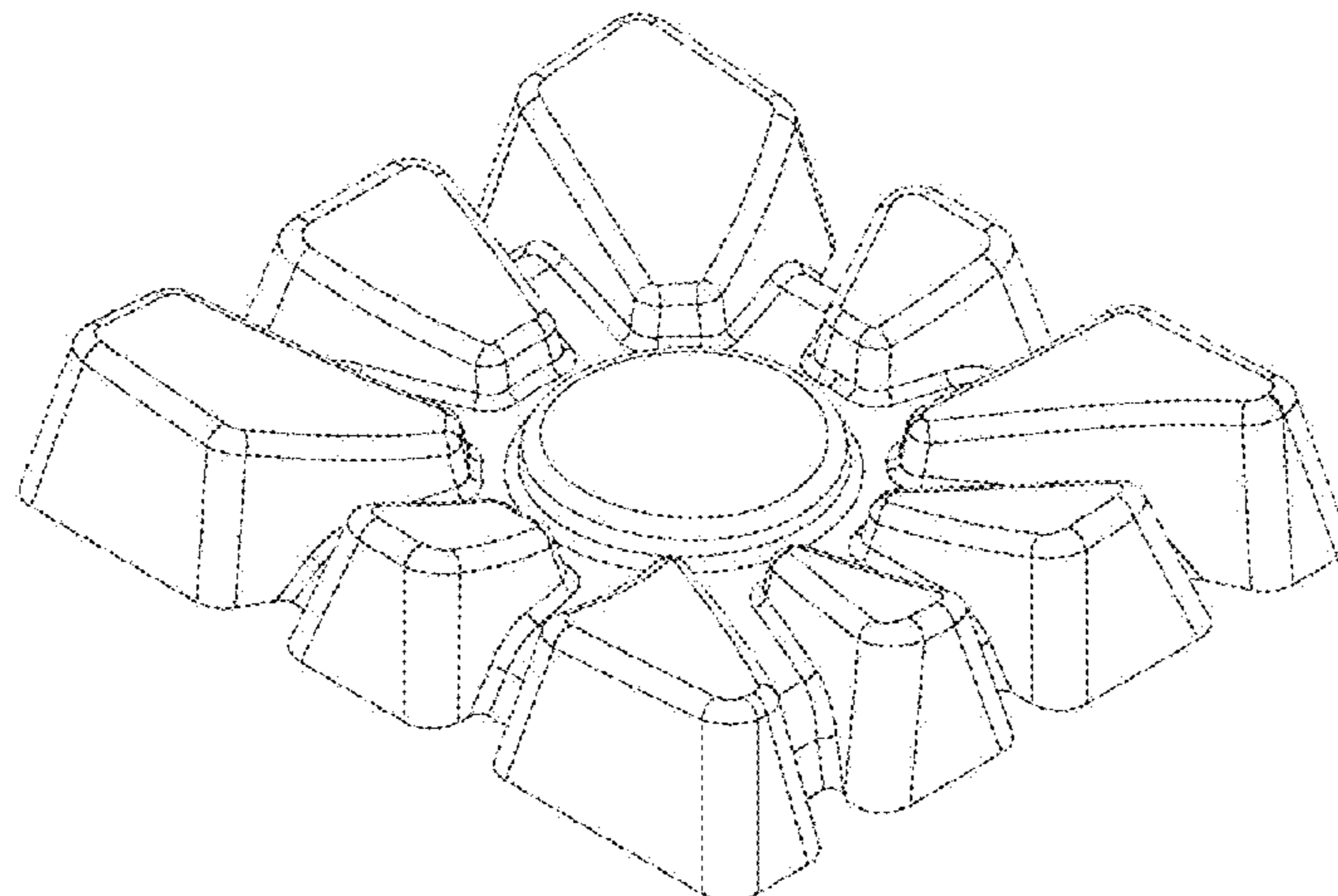
*Primary Examiner* — Garth Rademaker  
*Assistant Examiner* — Katie Mroczka  
(74) *Attorney, Agent, or Firm* — Fitch, Even, Tabin & Flannery LLP

(56) **References Cited**  
U.S. PATENT DOCUMENTS  
D91,644 S \* 3/1934 Blackstone ..... 424/467  
D99,994 S \* 6/1936 Brooks ..... D1/121  
D100,300 S \* 7/1936 Spoehr ..... D1/115  
D170,362 S \* 9/1953 Opler ..... D1/121  
D206,429 S \* 12/1966 Eckelman ..... D1/121  
D228,456 S \* 9/1973 Ninger ..... 424/467

(57) **CLAIM**  
The ornamental design for a chocolate bar, as shown and described.

**DESCRIPTION**  
FIG. 1 is a top plan view of a chocolate bar;  
FIG. 2 is an isometric view of the chocolate bar of FIG. 1;  
FIG. 3 is a left side elevation view of the chocolate bar of FIG. 1;  
FIG. 4 is a front elevation view of the chocolate bar of FIG. 1;  
FIG. 5 is a right side elevation view of the chocolate bar of FIG. 1;  
FIG. 6 is a bottom plan view of the chocolate bar of FIG. 1;  
FIG. 7 is a cross-sectional isometric view through the longitudinal centre of the chocolate bar from the isometric view of FIG. 2; and,  
FIG. 8 is a rear side elevation view of the chocolate bar of FIG. 1.

**1 Claim, 3 Drawing Sheets**



(56)

References Cited

U.S. PATENT DOCUMENTS

D474,107 S *	5/2003	Osborne	.....	D28/79	D605,046 S *	12/2009	Lablaine	.....	D9/516
D508,302 S *	8/2005	Malina	.....	D1/121	D627,127 S *	11/2010	Wilson	.....	D1/121
D509,624 S *	9/2005	Villani	.....	D1/130	D637,787 S *	5/2011	Martin	.....	D1/121
D522,714 S *	6/2006	Tebow	.....	D1/125	D658,846 S *	5/2012	Greer	.....	D1/121
D559,968 S *	1/2008	Lee	.....	D23/379	D659,946 S *	5/2012	Fujioka	.....	D1/121
D560,326 S *	1/2008	Bruno	.....	D1/121	D693,986 S *	11/2013	Pearson	.....	D1/115
D563,076 S *	3/2008	Brooking	.....	D1/121	D697,689 S *	1/2014	Krumholz	.....	D1/121
D571,980 S *	7/2008	Tebow	.....	D1/129	D707,417 S *	6/2014	Pearson	.....	D1/115
D589,230 S *	3/2009	Samarut	.....	D1/121	D713,116 S *	9/2014	Dingley	.....	D1/121
D605,043 S *	12/2009	Lablaine	.....	D9/516	D713,616 S *	9/2014	Gaudard	.....	D1/121
					D719,718 S *	12/2014	Schweitzer	.....	D1/121
					D725,341 S *	3/2015	Schweitzer	.....	D1/121

\* cited by examiner

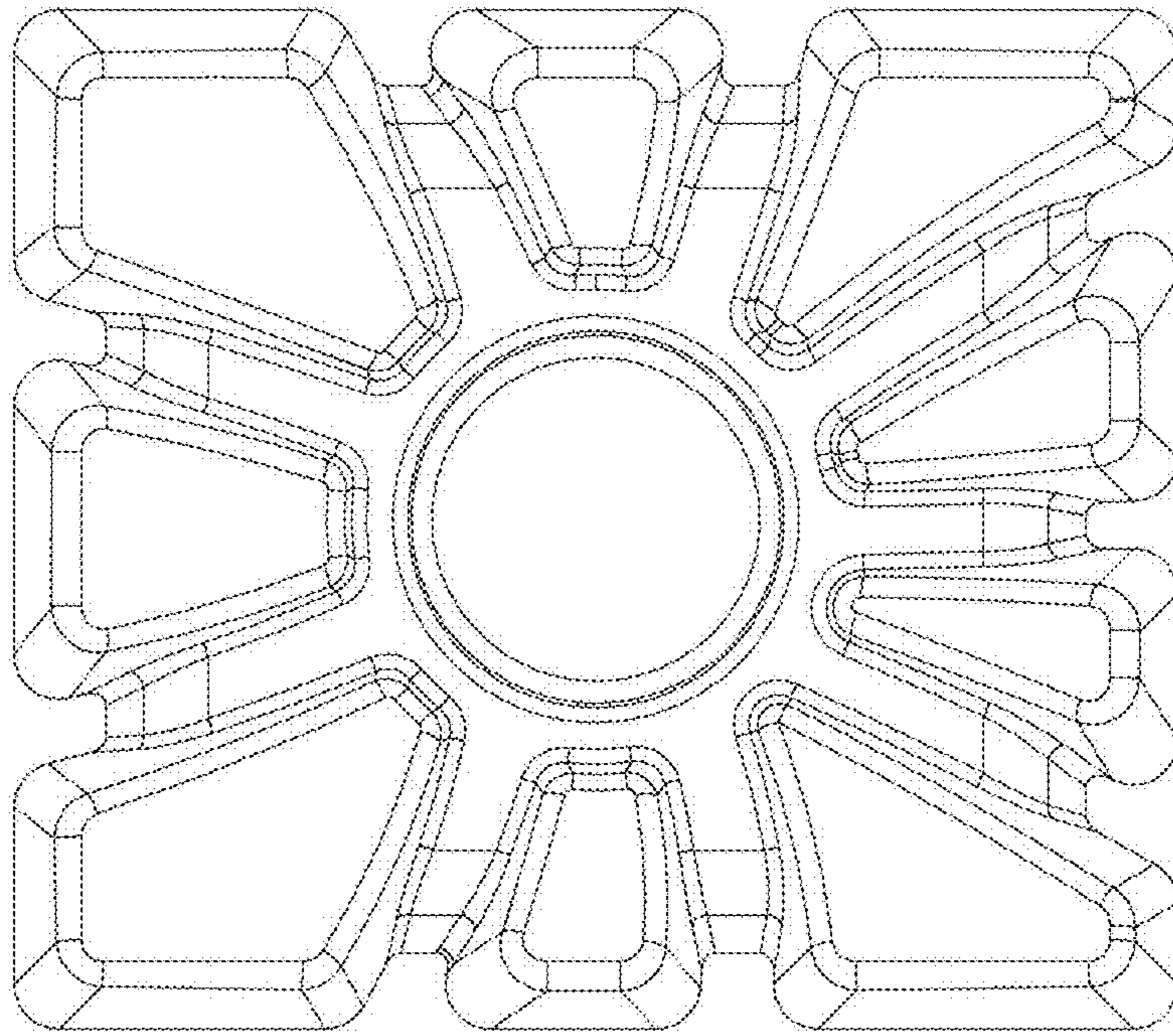


Figure 1

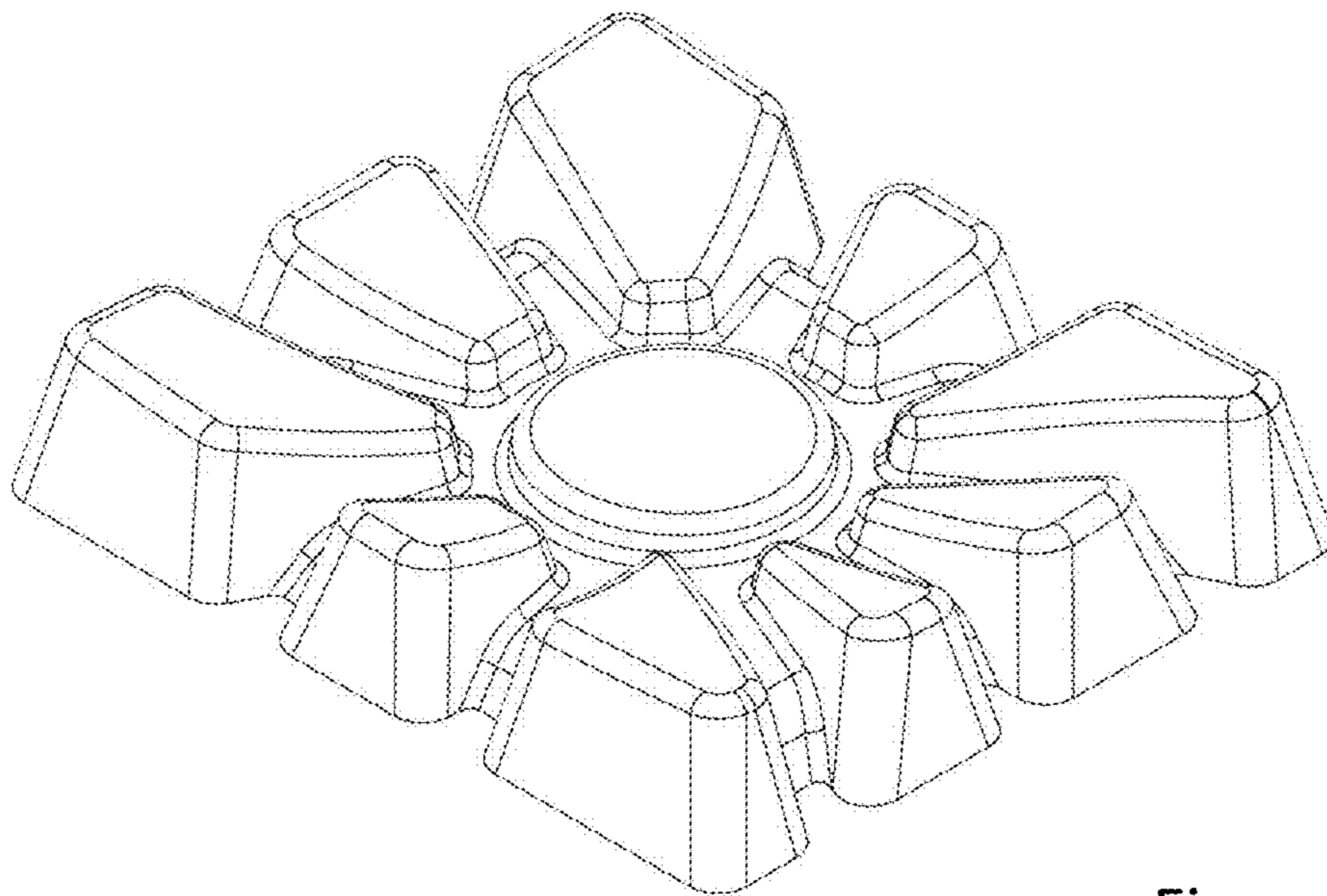


Figure 2

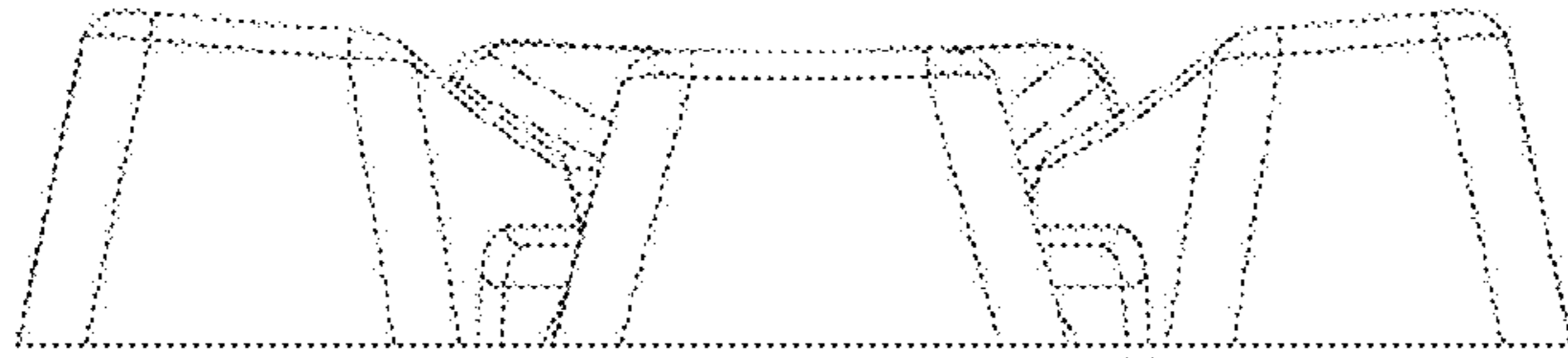


Figure 3

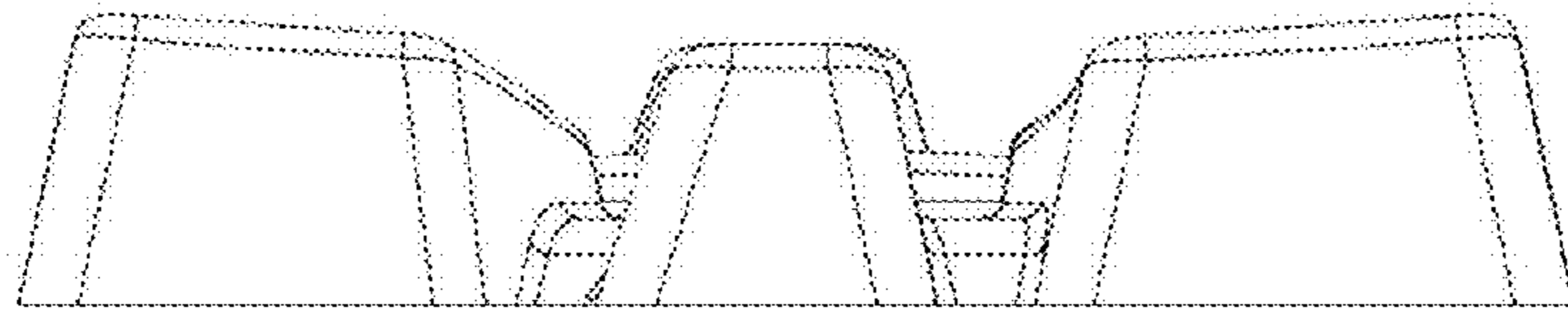


Figure 4

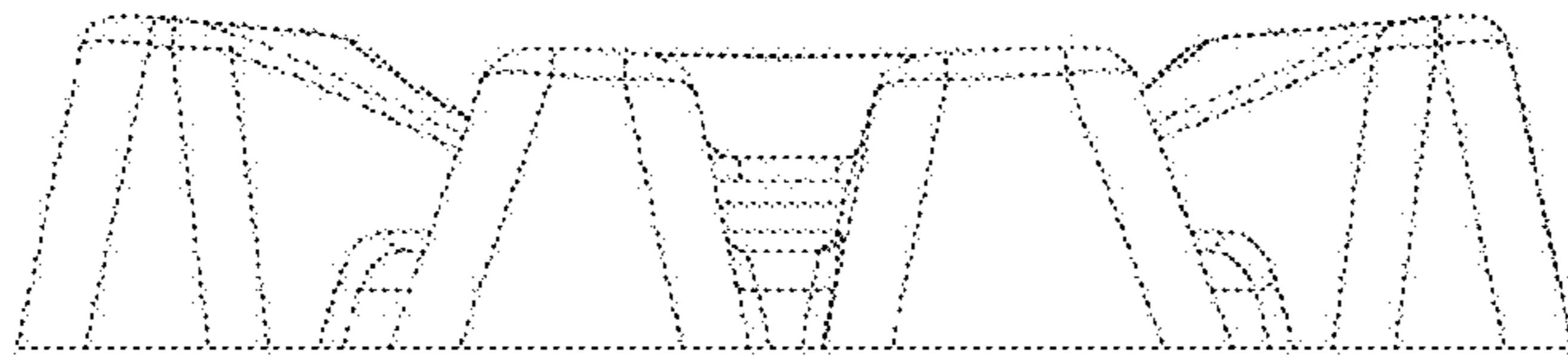


Figure 5

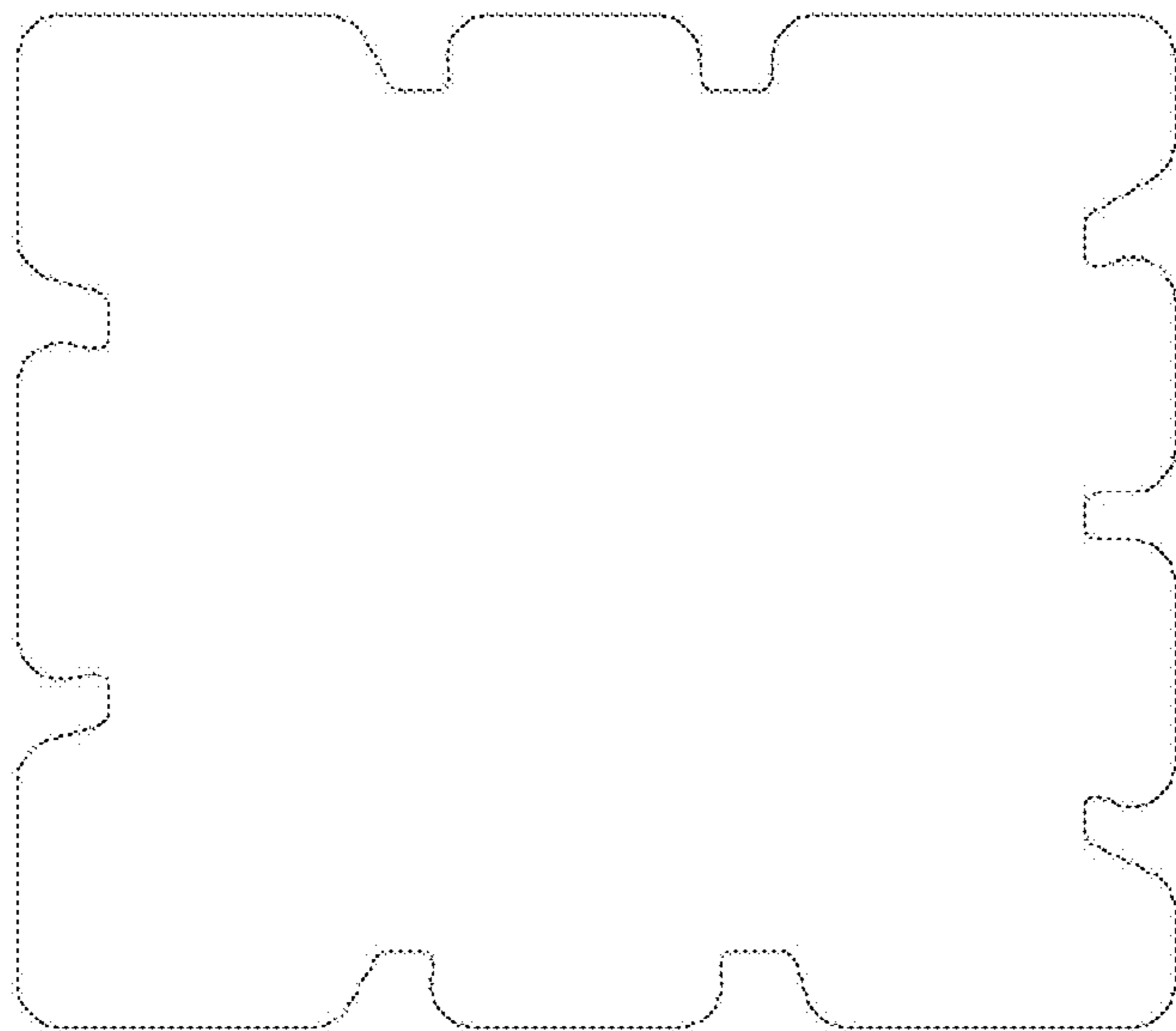


Figure 6

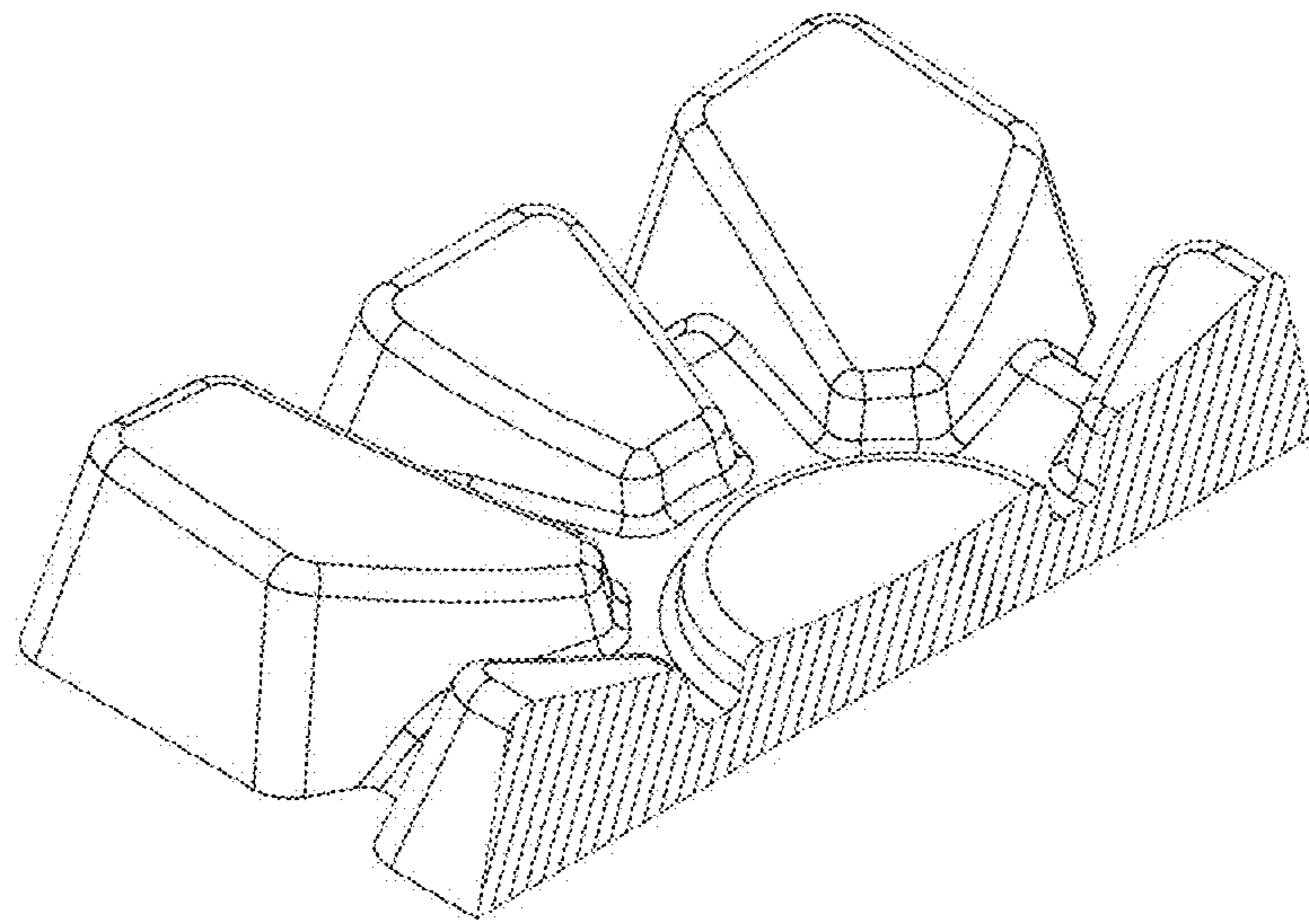


Figure 7

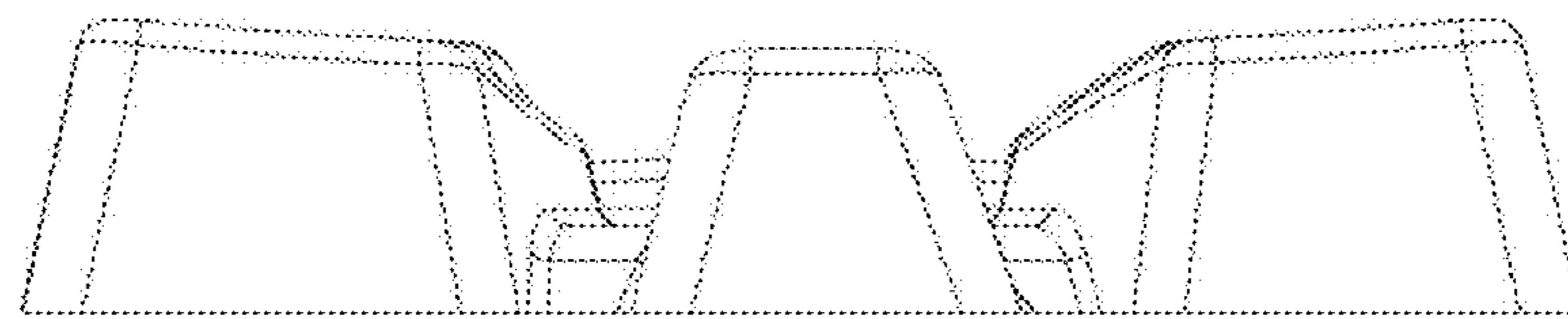


Figure 8