



US00D765940S

(12) **United States Design Patent**
Buttecali

(10) **Patent No.: US D765,940 S**

(45) **Date of Patent: ** Sep. 6, 2016**

- (54) **COMBINED MAILBOX, BRACE AND POST**
- (71) Applicant: **Peter Sean Buttecali**, Vienna, VA (US)
- (72) Inventor: **Peter Sean Buttecali**, Vienna, VA (US)
- (**) Term: **14 Years**
- (21) Appl. No.: **29/520,344**
- (22) Filed: **Mar. 13, 2015**
- (51) **LOC (10) Cl. 99-00**
- (52) **U.S. Cl.**
USPC **D99/32**
- (58) **Field of Classification Search**
USPC D99/28, 29, 30, 31, 32, 43, 99; 312/35;
232/1 R, 1 A, 1 C, 1 D, 4 R, 2, 17, 19, 20,
232/21, 22, 24, 27, 30, 31, 37, 38, 39, 44,
232/45
CPC A47G 29/12; A47G 29/1201; A47G
29/1203; A47G 29/1205; A47G 29/1207;
A47G 29/1209; A47G 29/121; A47G
29/1212; A47G 29/1214; A47G 29/1216;
A47G 29/1218; A47G 29/122; A47G
29/1225; A47G 29/16; A47G 29/00
See application file for complete search history.

- 3,960,317 A * 6/1976 Clement A47G 29/121
232/34
- 3,981,413 A * 9/1976 Cornwell, Jr. A47G 29/1209
220/845
- 4,244,512 A * 1/1981 Wise A47G 29/1209
232/17
- D315,821 S * 3/1991 Lorenzi D99/29
- D330,793 S * 11/1992 Hampton D99/32
- D335,750 S * 5/1993 Berardi D99/31
- D335,755 S * 5/1993 Davis D99/32
- D335,903 S * 5/1993 Swindle D21/483
- D338,765 S * 8/1993 Hohlbein 232/38
- D385,684 S * 10/1997 Petersen D99/32
- D413,704 S * 9/1999 Metcheer, III D99/29
- D428,546 S * 7/2000 Rempfer D99/30
- 6,729,535 B2 * 5/2004 Lackey A47G 29/1209
232/17
- D499,225 S * 11/2004 Taylor D99/29
- D503,844 S * 4/2005 Taylor D99/32
- D616,175 S * 5/2010 Chen D99/30
- 8,631,998 B1 * 1/2014 Connelly A47G 29/1216
232/39
- 8,657,185 B2 * 2/2014 Corey A47G 29/1209
232/17
- D727,590 S * 4/2015 Rogerson D99/32

* cited by examiner

Primary Examiner — Elizabeth J Oswecki

(56) **References Cited**

U.S. PATENT DOCUMENTS

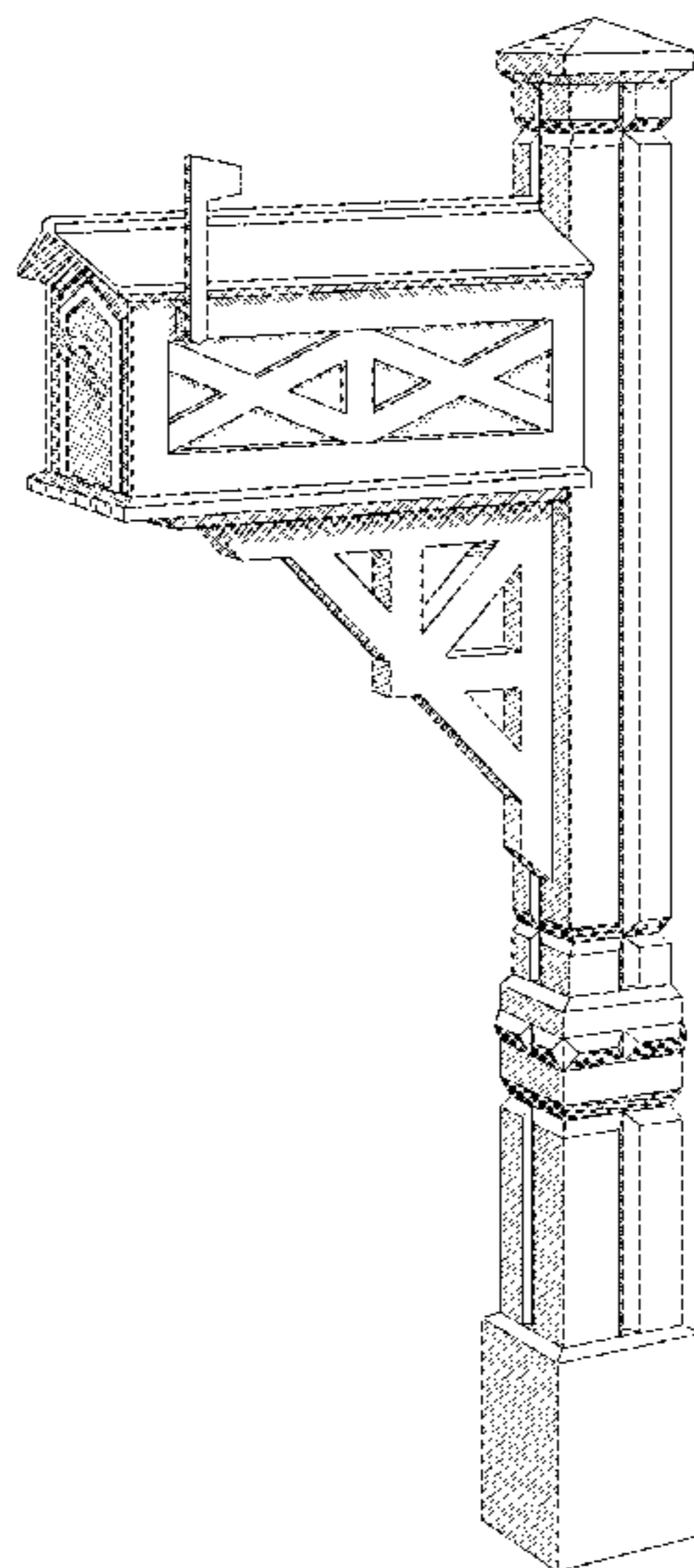
- 936,215 A * 10/1909 Broberg A47G 29/121
232/35
- 2,431,838 A * 12/1947 Staley A47G 29/1209
116/175
- 2,669,408 A * 2/1954 Cox A47G 29/1216
232/39
- D188,749 S * 9/1960 McAver D20/19
- 3,232,104 A * 2/1966 Fishman G01F 1/785
73/861.59
- 3,802,656 A * 4/1974 Virblas A47G 29/1216
248/145

(57) **CLAIM**
The ornamental design for a combined mailbox, brace and post, as shown and described.

DESCRIPTION

FIG. 1 is a left-side perspective view of a combined mailbox, brace and post showing my new design; FIG. 2 is a right-side perspective view thereof; FIG. 3 is a left-side elevation view thereof; FIG. 4 is a front elevation view thereof; and, FIG. 5 is a rear elevation view thereof. All surfaces not shown form no part of the claimed design.

1 Claim, 5 Drawing Sheets



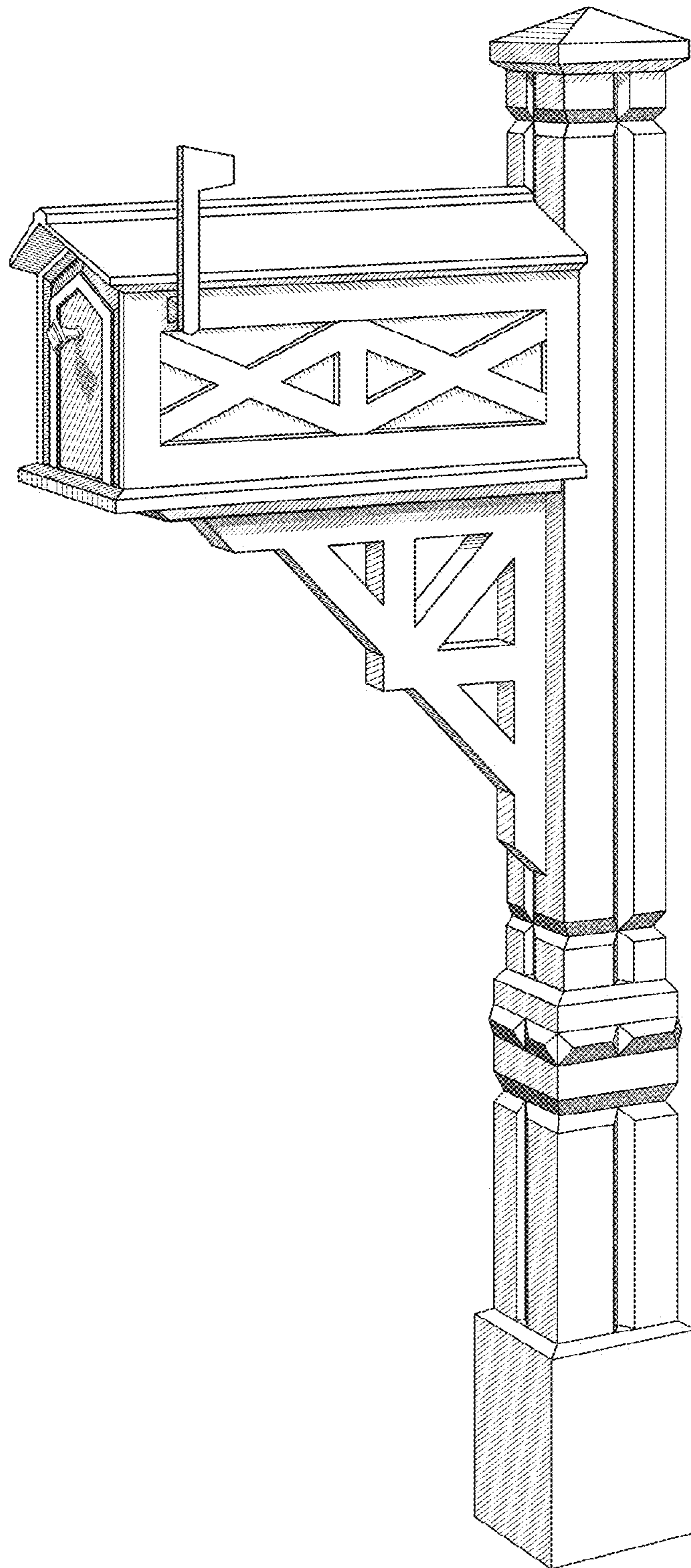


FIG. 1

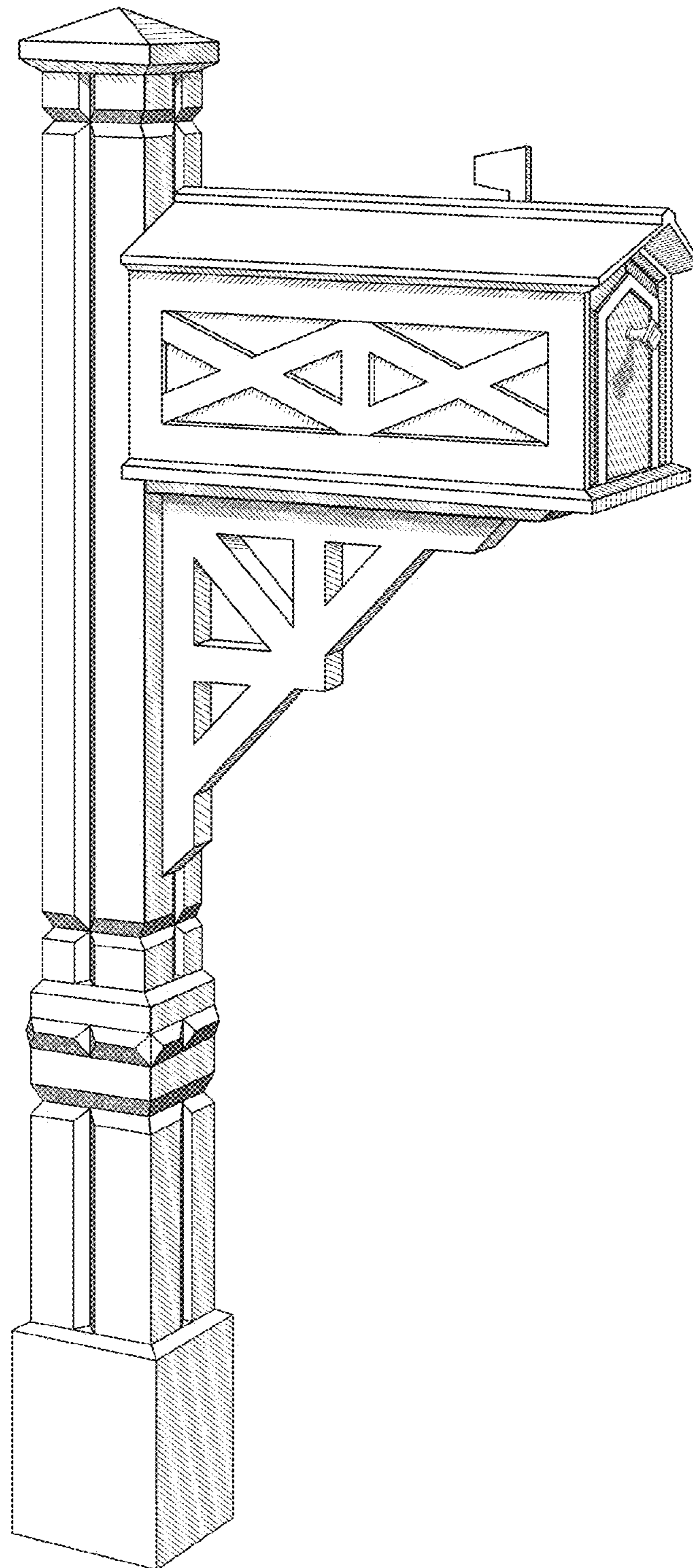


FIG. 2

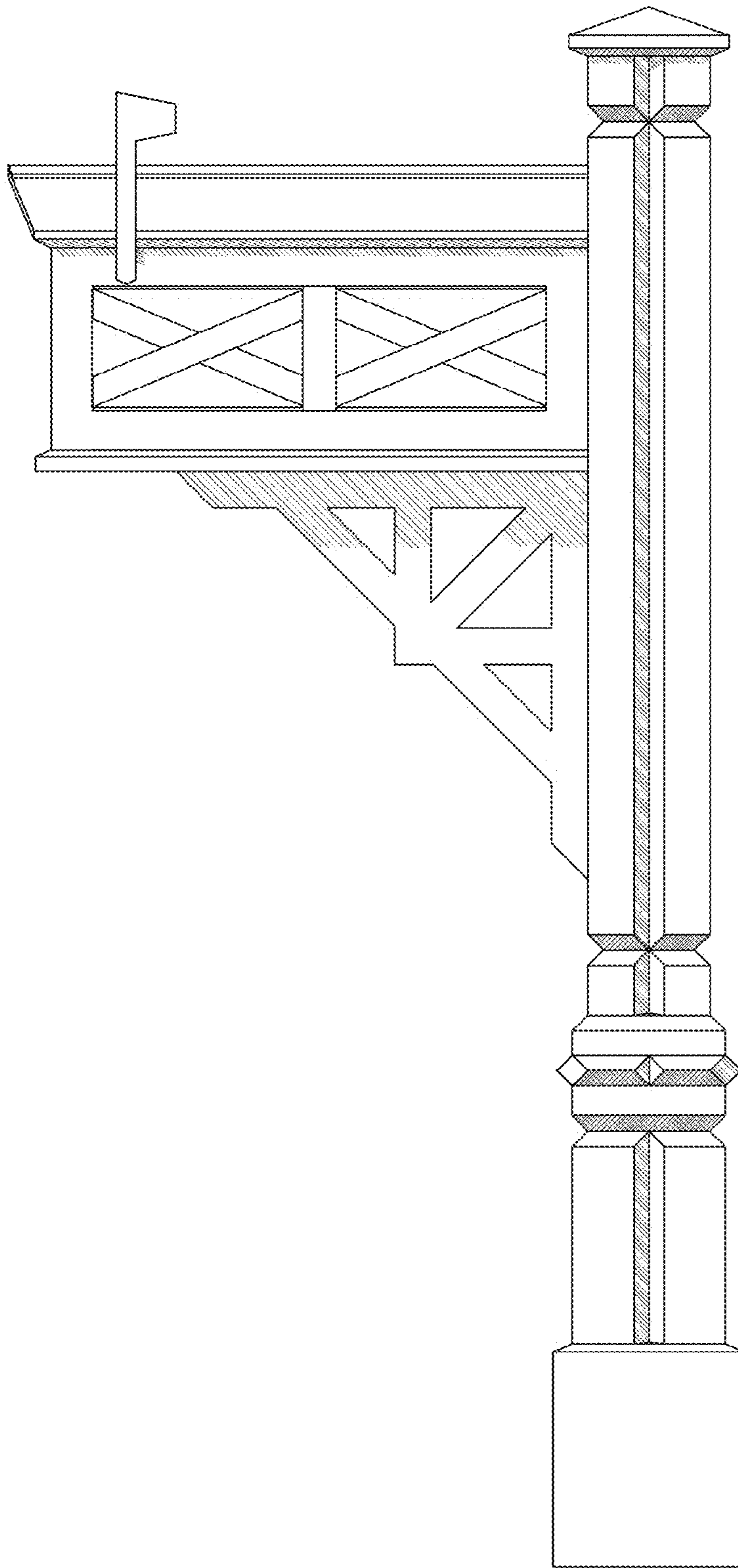


FIG. 3

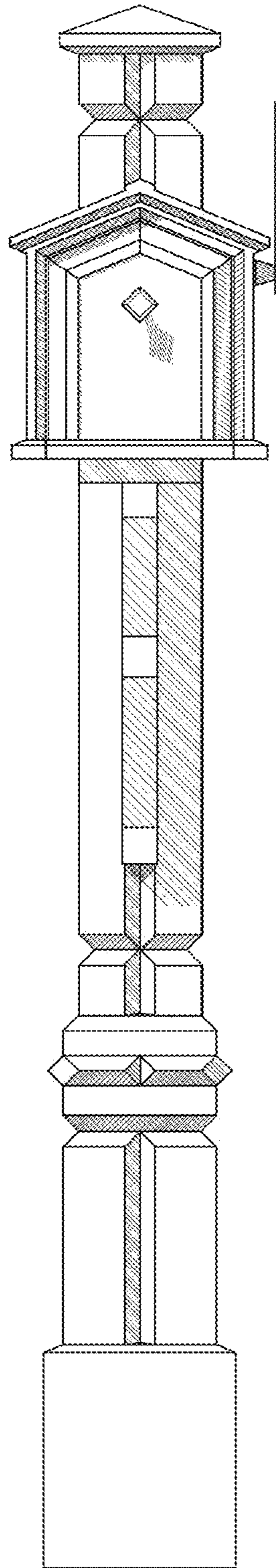


FIG. 4

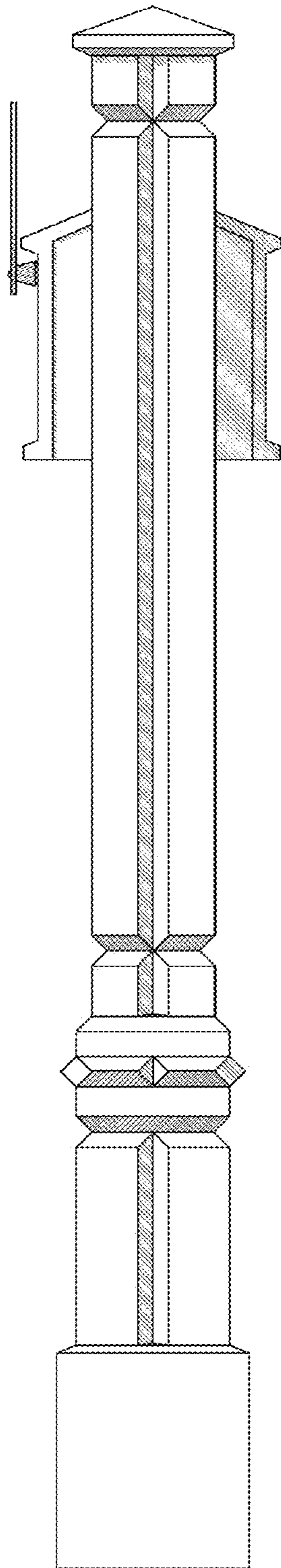


FIG. 5