



US00D765938S

(12) **United States Design Patent** (10) **Patent No.:** **US D765,938 S**
Guerra (45) **Date of Patent:** **** Sep. 6, 2016**

(54) **CONVEYOR ROLLER SLEEVE**
 (71) Applicant: **LEWCO, Inc.**, Sandusky, OH (US)
 (72) Inventor: **Gerald T. Guerra**, Sandusky, OH (US)
 (73) Assignee: **LEWCO, Inc.**, Sandusky, OH (US)
 (**) Term: **14 Years**

(21) Appl. No.: **29/507,426**
 (22) Filed: **Oct. 28, 2014**
 (51) **LOC (10) Cl.** **12-05**
 (52) **U.S. Cl.**
 USPC **D34/28**
 (58) **Field of Classification Search**
 USPC D34/28, 29; 474/190; 198/835, 842,
 198/843, 844.1
 CPC ... B23Q 11/0057; B23Q 11/08; B65B 23/14;
 B65B 34/50; B65G 17/08; B65G 23/06;
 B65G 36/00; B65G 43/08
 See application file for complete search history.

(56) **References Cited**
 U.S. PATENT DOCUMENTS
 1,651,981 A * 12/1927 Tevander B65G 17/08
 198/840
 2,385,923 A * 10/1945 Klaucke B65G 17/08
 198/834
 D296,198 S * 6/1988 Buchanan D12/106
 D341,016 S * 11/1993 Wada D34/33
 D381,174 S * 7/1997 Stoll D34/29
 D381,177 S * 7/1997 Patois D25/121
 D401,717 S * 11/1998 Grueber D34/29
 D413,420 S * 8/1999 Nimmo D34/29
 D578,260 S * 10/2008 Fellingner D32/25

D667,349 S * 9/2012 Jurkiewicz D12/133
 2003/0089583 A1 * 5/2003 Depaso B65G 17/08
 198/834
 2015/0060242 A1 * 3/2015 Carrara B65G 39/02
 198/834
 2015/0259150 A1 * 9/2015 Matson B65G 23/06
 198/834
 2015/0336744 A1 * 11/2015 Cornelissen B65G 17/086
 198/834

* cited by examiner

Primary Examiner — Cynthia Ramirez

(74) *Attorney, Agent, or Firm* — Fraser Clemens Martin & Miller LLC; James D. Miller

(57) **CLAIM**

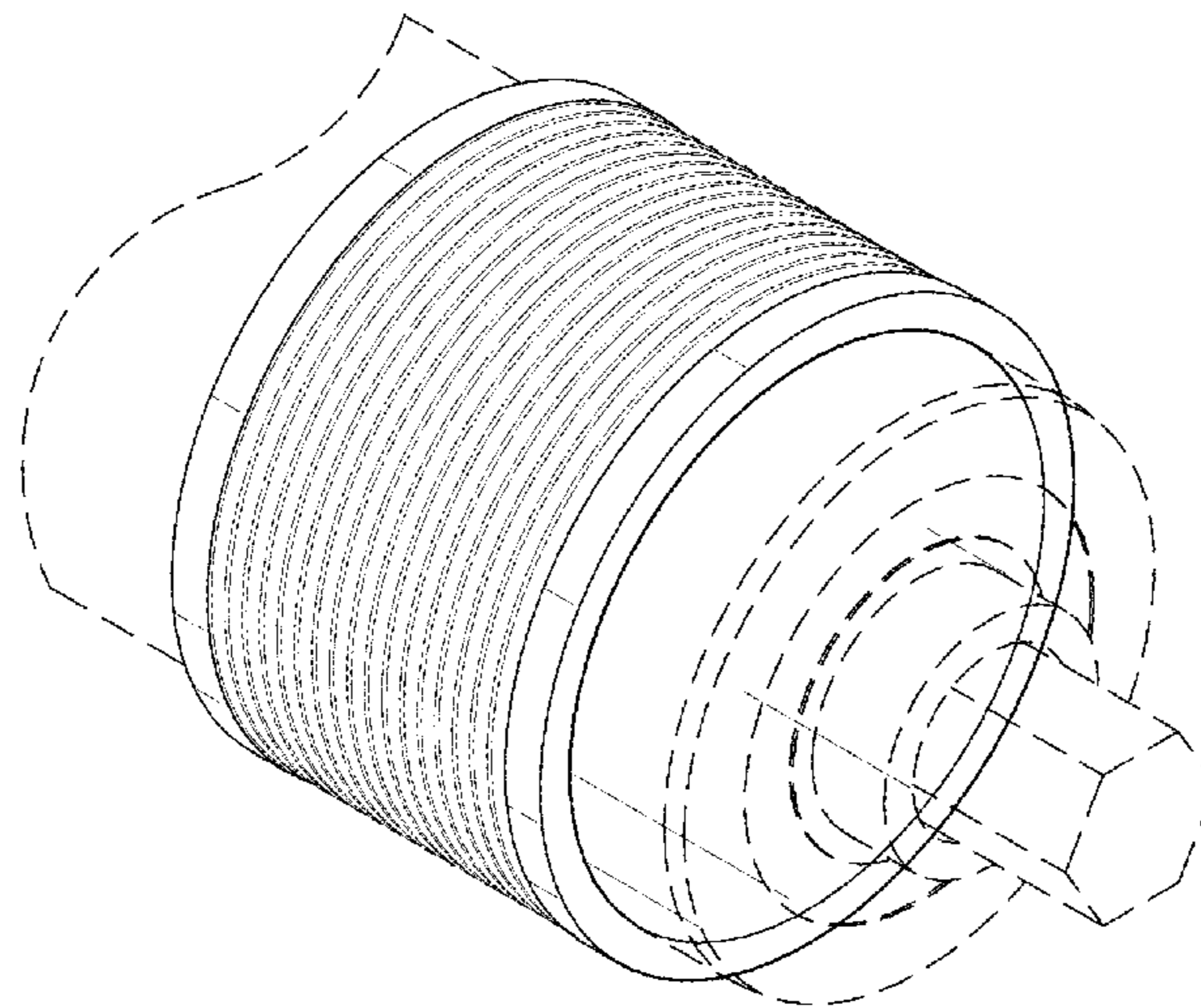
The ornamental design for a conveyor roller sleeve, as shown and described.

DESCRIPTION

FIG. 1 is a perspective view of a conveyor roller sleeve; FIG. 2 is a front elevational view of the conveyor roller sleeve of FIG. 1, wherein a rear elevational view, a top plan view, and a bottom plan view are not shown as they are identical to the front elevation view shown; and, FIG. 3 is a left side elevational view of the conveyor roller sleeve of FIG. 1, wherein a right side elevational view is not shown as it is identical to the left side elevational view shown.

The broken lines shown in FIGS. 1-3 depict an exemplary conveyor roller. In FIGS. 1-2, a fragmentary view of a left end of the exemplary conveyor roller is depicted, wherein a right end of the exemplary conveyor roller is not shown but is identical to the left end. The hidden lines are included for illustrative purposes only and form no part of the claimed design.

1 Claim, 2 Drawing Sheets



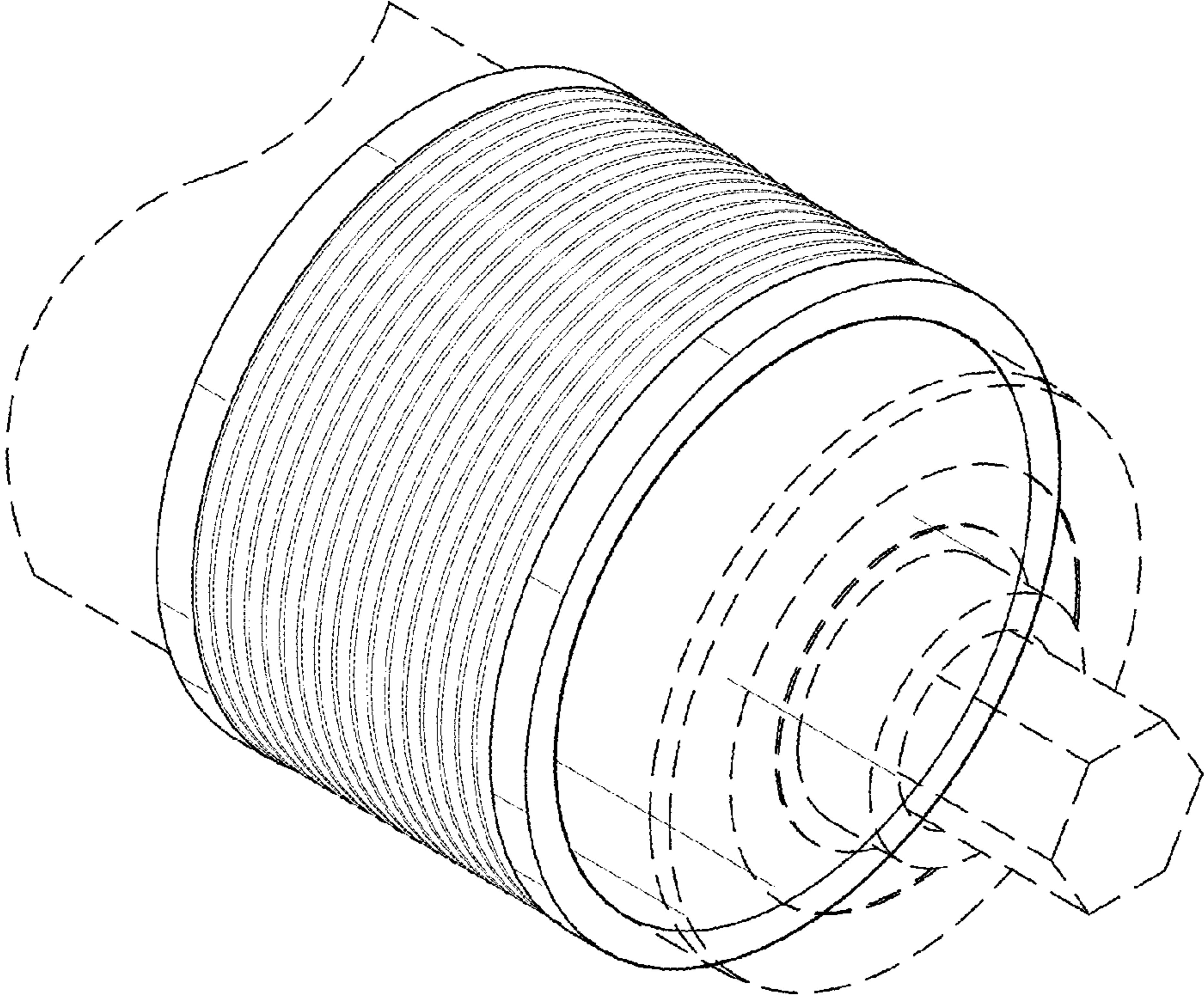


FIG. 1

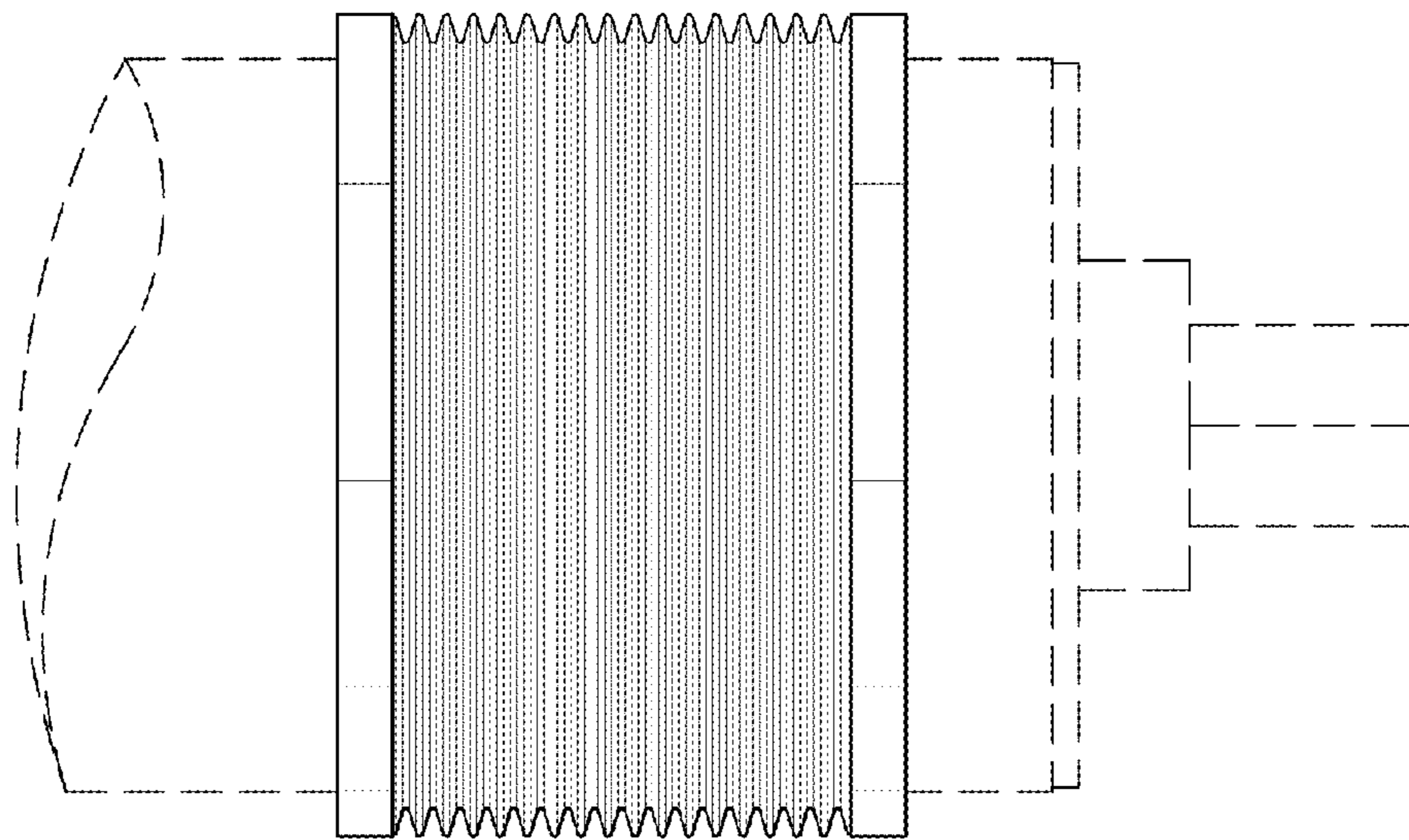


FIG. 2

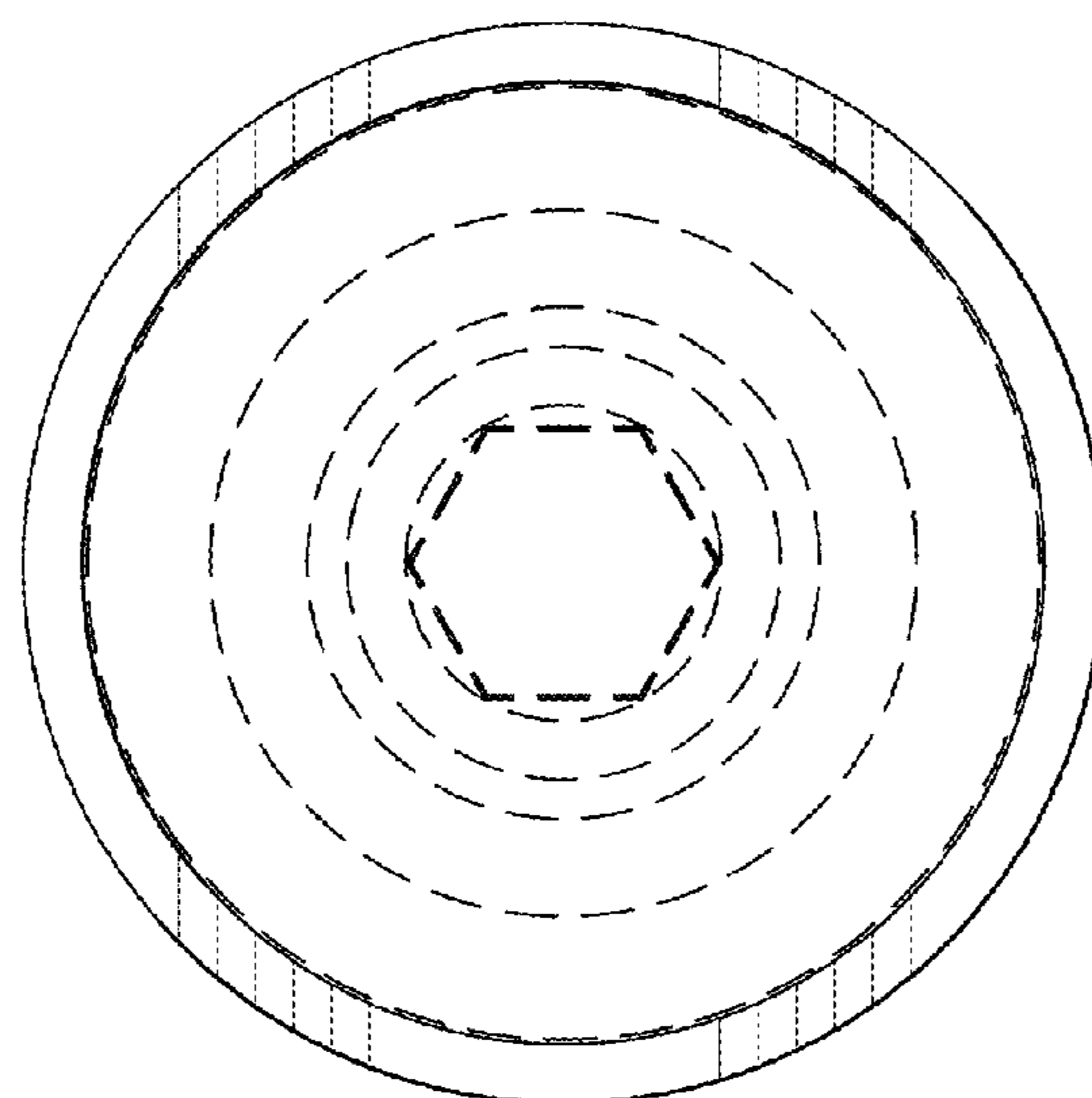


FIG. 3