



US00D765935S

(12) **United States Design Patent**
Horton, III

(10) **Patent No.:** **US D765,935 S**

(45) **Date of Patent:** **** Sep. 6, 2016**

(54) **PAINT TRAY**

(71) Applicant: **Frederick H. Horton, III**, Minneapolis, MN (US)

(72) Inventor: **Frederick H. Horton, III**, Minneapolis, MN (US)

(**) Term: **14 Years**

(21) Appl. No.: **29/474,532**

(22) Filed: **Oct. 20, 2014**

(51) **LOC (10) Cl.** **07-07**

(52) **U.S. Cl.**
USPC **D32/53.1**

(58) **Field of Classification Search**
USPC D32/53, 53.1, 54; 220/570, 495.01, 220/495.02; 15/260-261, 257.05, 257.06
CPC B44D 3/128; B44D 3/12; B44D 3/126; A47L 13/58; B65D 35/22; B65D 25/14
See application file for complete search history.

(56) **References Cited**

U.S. PATENT DOCUMENTS

D208,969 S *	10/1967	Paxton	D32/53.1
3,663,982 A	5/1972	Hayden		
D302,614 S *	8/1989	Beatty	D32/53.1
5,190,303 A	3/1993	Schumacher et al.		
D379,701 S	6/1997	Copeland, Sr.		

D571,969 S *	6/2008	Byers	D32/53.1
7,424,959 B1	9/2008	Biebel		
D586,056 S *	2/2009	Shea	D32/53.1
D586,516 S *	2/2009	Moon	D32/53.1
7,568,667 B1	8/2009	Feik et al.		
D602,220 S *	10/2009	Wallace	D32/53.1
D627,120 S *	11/2010	Davidson	D32/53.1
D654,644 S *	2/2012	Davidson	D32/53.1
D675,391 S *	1/2013	Arvinte	D32/53.1
8,701,242 B2 *	4/2014	DeHart	B44D 3/126 15/257.05

2013/0186902 A1 7/2013 Bar-Shlomo

* cited by examiner

Primary Examiner — Robin V Webster

(74) *Attorney, Agent, or Firm* — Richard John Bartz

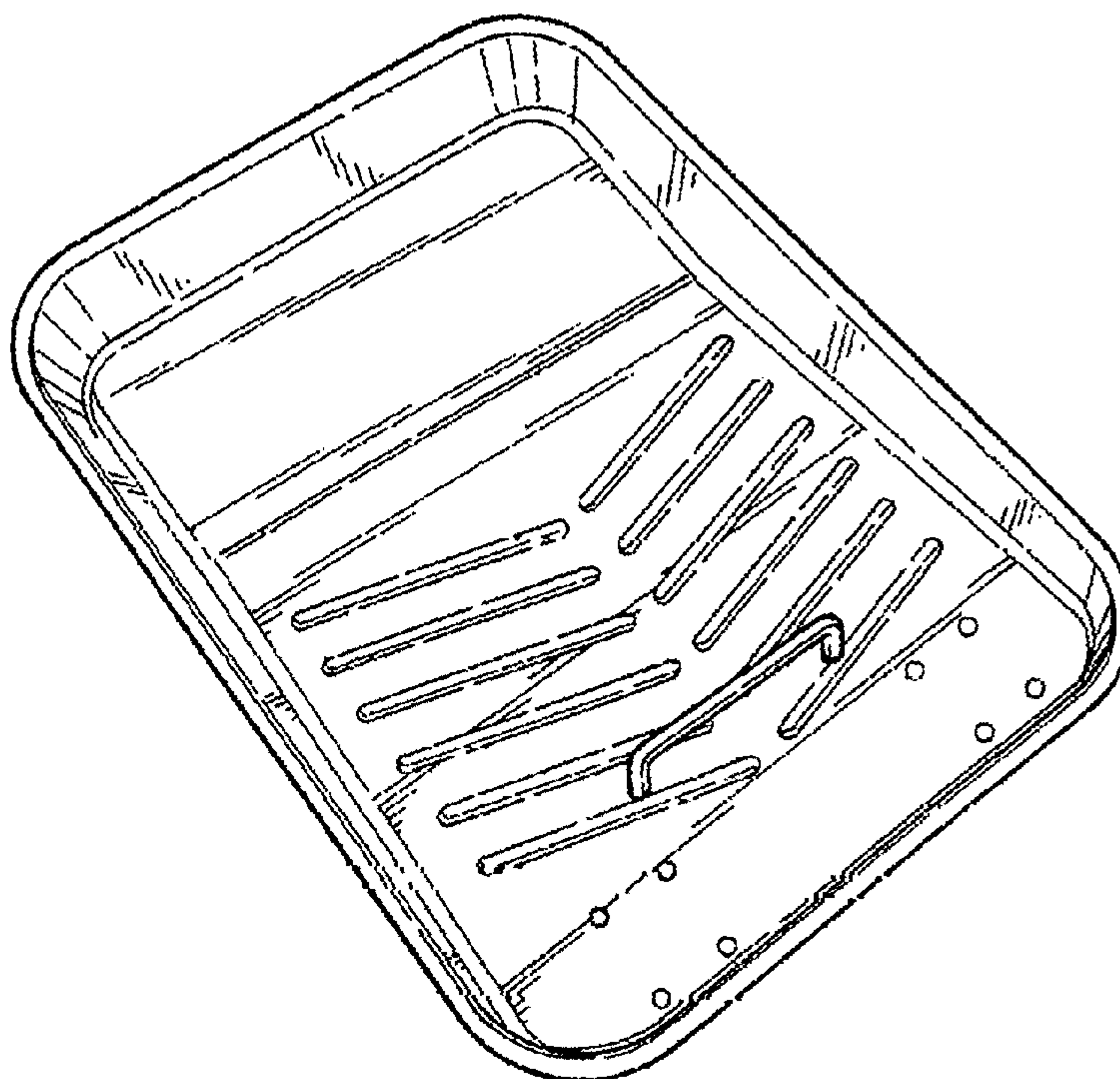
(57) **CLAIM**

The ornamental design of the paint tray, as shown and described.

DESCRIPTION

FIG. 1 is a front elevational view of the paint tray of my new design;
FIG. 2 is side elevational view of the left side thereof;
FIG. 3 is a side elevational view of the right side thereof;
FIG. 4 is a bottom plan view thereof;
FIG. 5 is a top plan view thereof;
FIG. 6 is a rear elevational view thereof; and,
FIG. 7 is a front perspective view thereof.

1 Claim, 5 Drawing Sheets



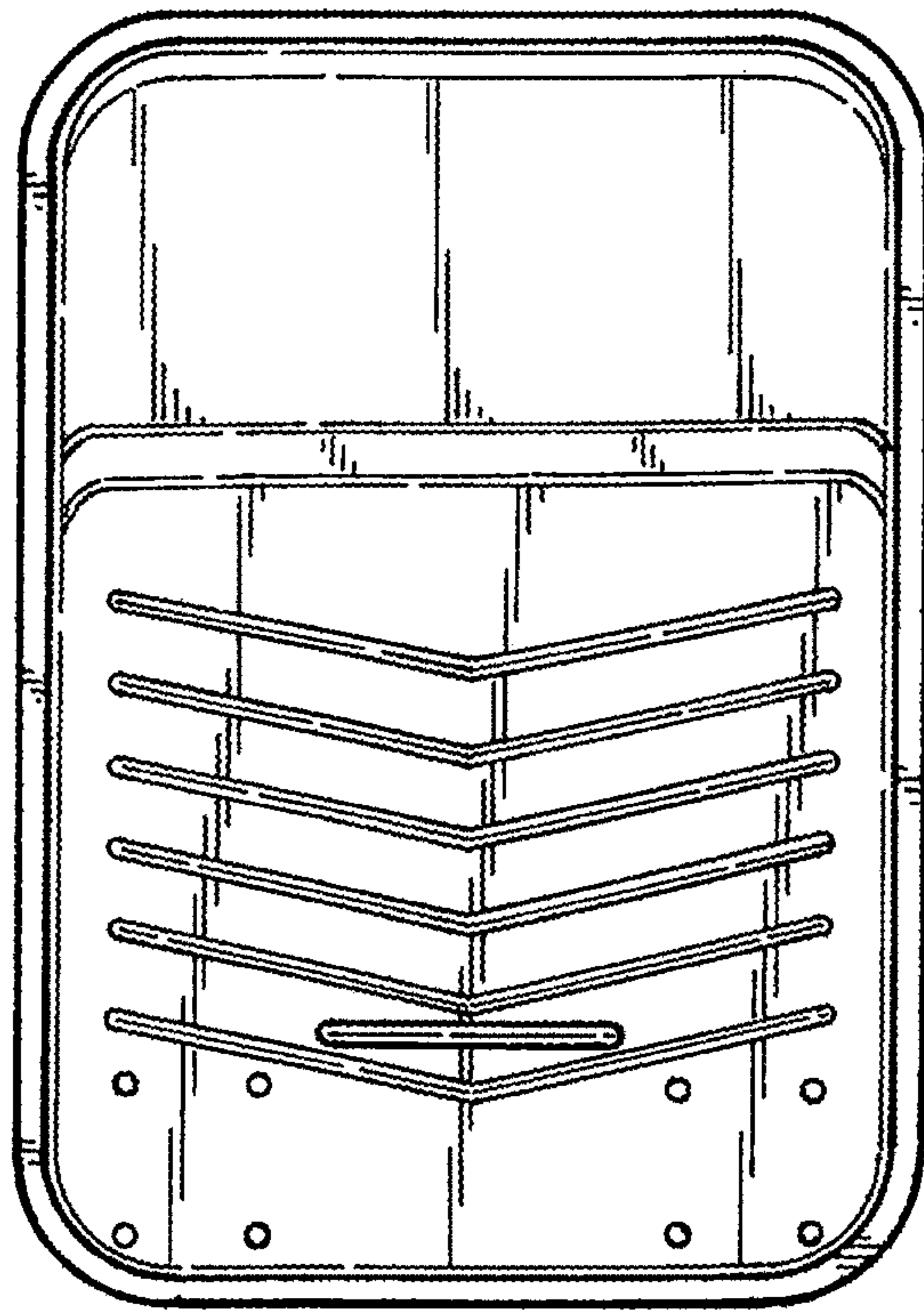


FIG.1

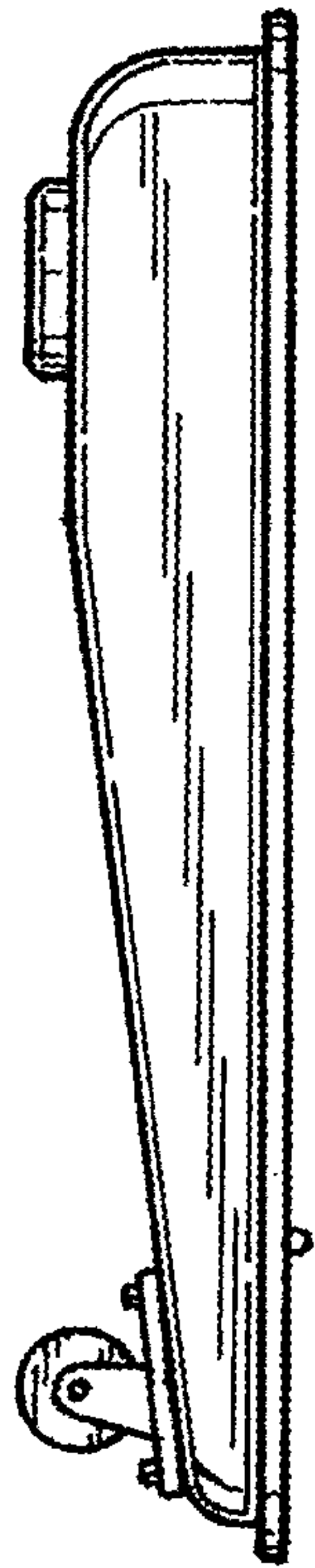


FIG.2

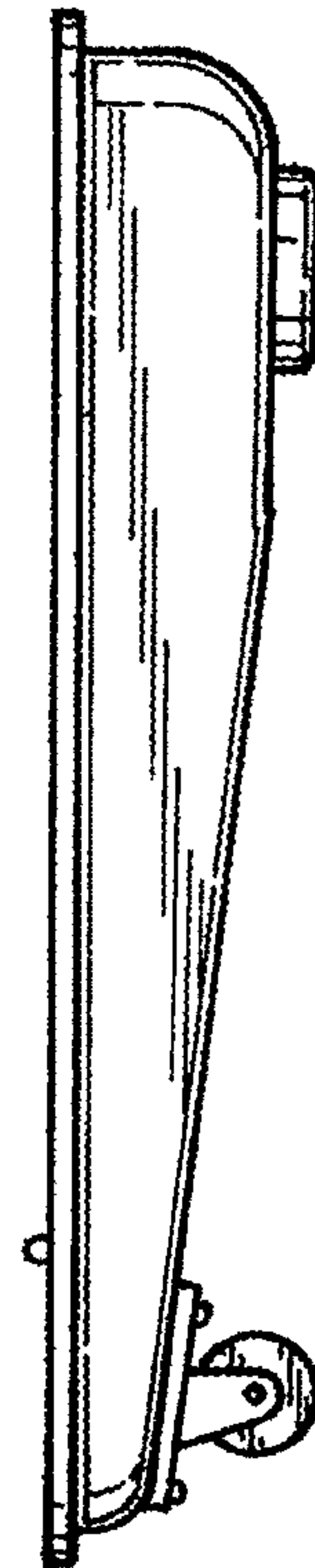


FIG.3

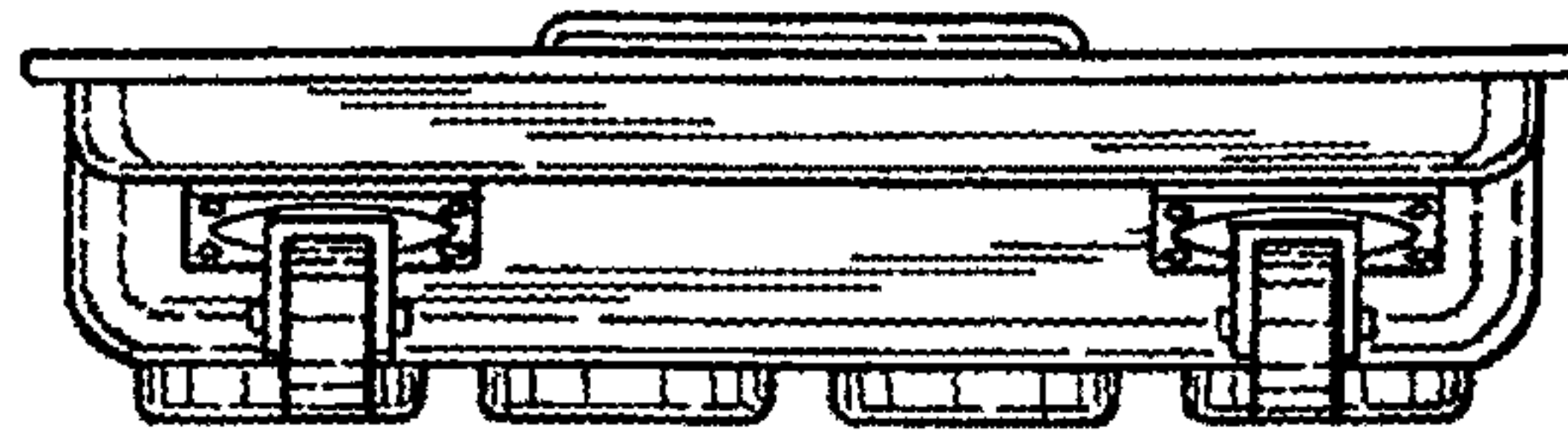


FIG. 4



FIG. 5

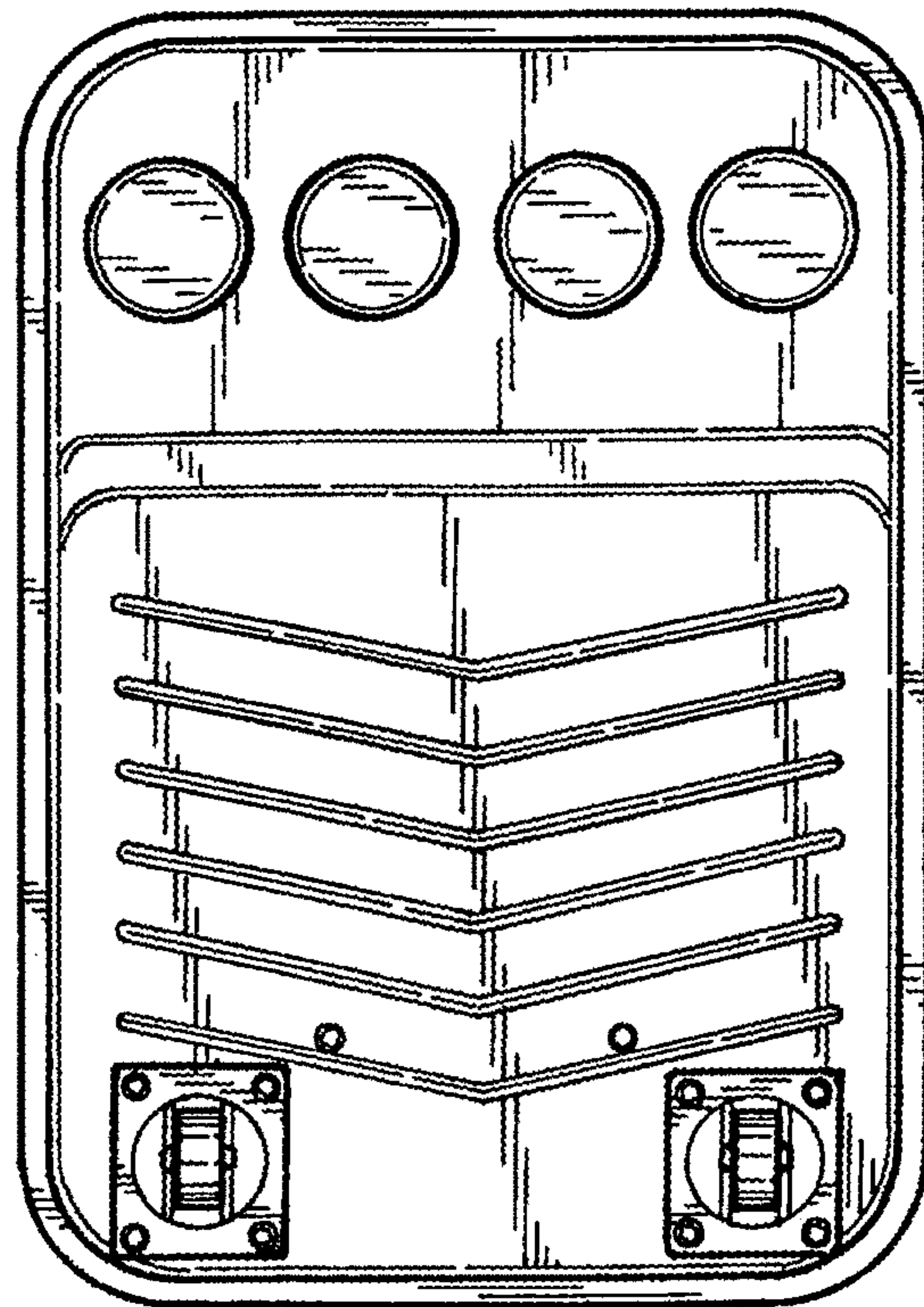


FIG.6

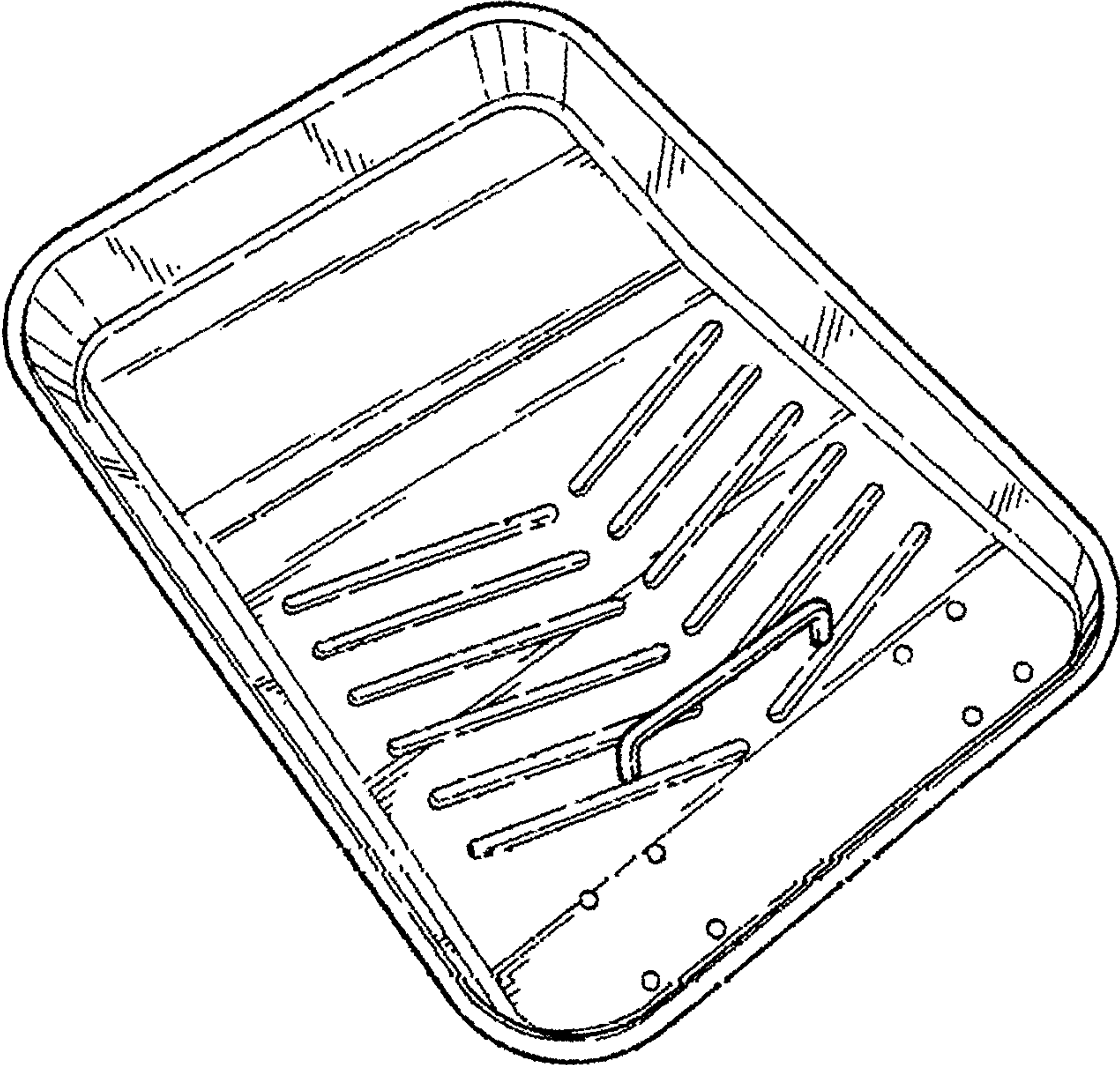


FIG.7