

US00D765934S

(12) **United States Design Patent**
Bajuyo

(10) **Patent No.:** **US D765,934 S**

(45) **Date of Patent:** **** Sep. 6, 2016**

(54) **PAIL HANDLE**

(71) Applicant: **Antonio Bajuyo**, South Bend, IN (US)

(72) Inventor: **Antonio Bajuyo**, South Bend, IN (US)

(**) Term: **15 Years**

(21) Appl. No.: **29/546,939**

(22) Filed: **Nov. 30, 2015**

Related U.S. Application Data

(63) Continuation of application No. 29/518,786, filed on Feb. 27, 2015, now Pat. No. Des. 748,357.

(51) **LOC (10) Cl.** **07-07**

(52) **U.S. Cl.**
USPC **D32/53**

(58) **Field of Classification Search**
USPC D32/53, 53.1, 54, 74; 15/260-264,
15/119.1, 120.1, 257.1; D9/429; 220/904,
220/659, 770, 752, 753, 696
CPC A47J 47/18; A47L 13/58; B65D 37/00
See application file for complete search history.

(56) **References Cited**

U.S. PATENT DOCUMENTS

D748,357 S * 1/2016 Bajuyo D32/53

D751,783 S * 3/2016 Bajuyo D32/53

* cited by examiner

Primary Examiner — Robin V Webster

(74) *Attorney, Agent, or Firm* — R. Tracy Crump

(57) **CLAIM**

I claim the ornamental design of a pail handle, as shown and described.

DESCRIPTION

FIG. 1 is a perspective view of a pail handle showing my design;

FIG. 2 is a side view thereof;

FIG. 3 is a rear view thereof;

FIG. 4 is a front view thereof;

FIG. 5 is a top view thereof;

FIG. 6 is a bottom view thereof;

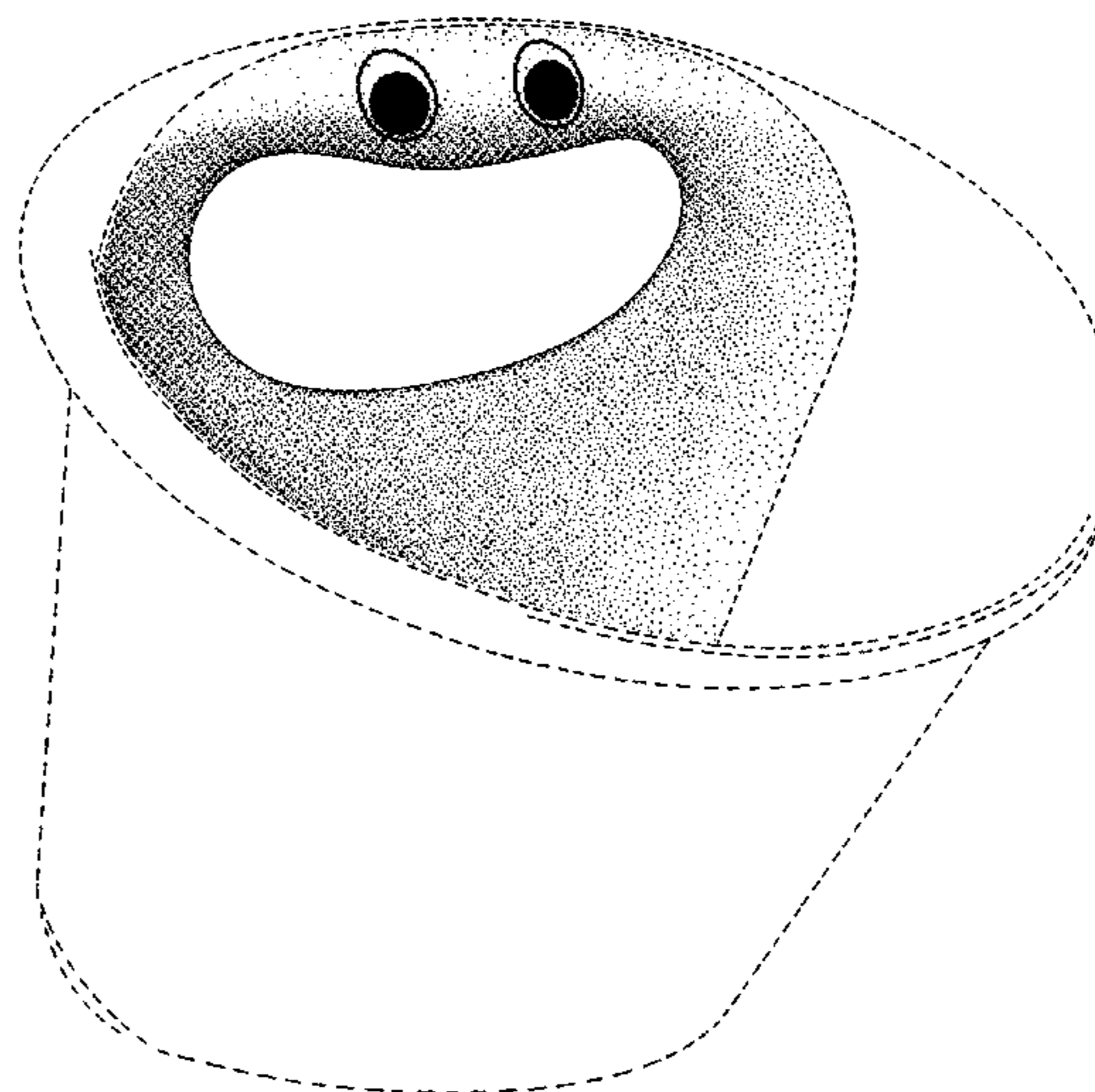
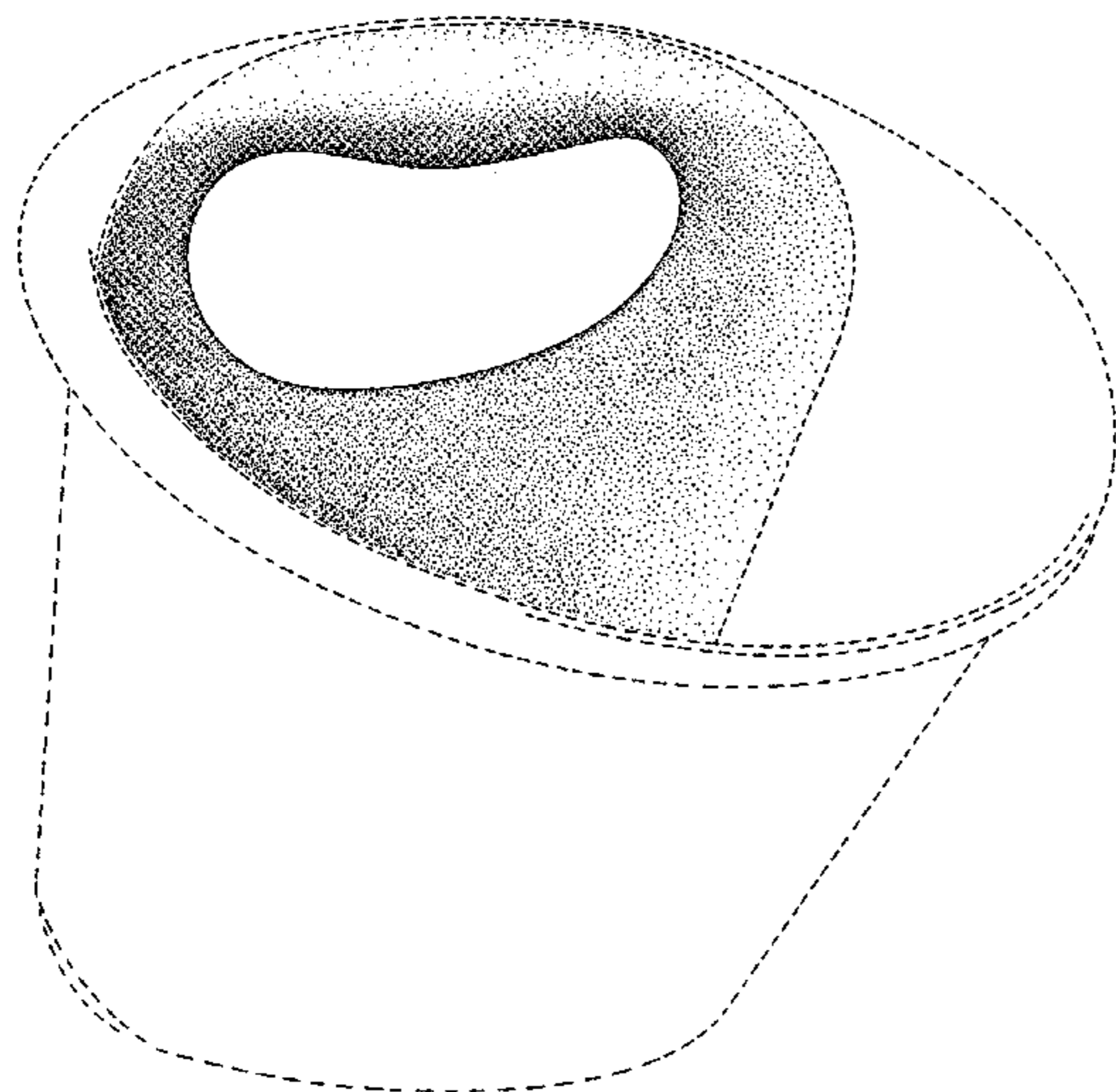
FIG. 7 is a perspective view of another embodiment of a pail handle showing my design;

FIG. 8 is a front view of the embodiment of the pail handle of FIG. 7; and,

FIG. 9 is a top view of the embodiment of the pail handle of FIG. 7.

The broken lines showing in FIGS. 1-9 are included for the purpose of illustrating and forms no part of the claimed design.

1 Claim, 9 Drawing Sheets



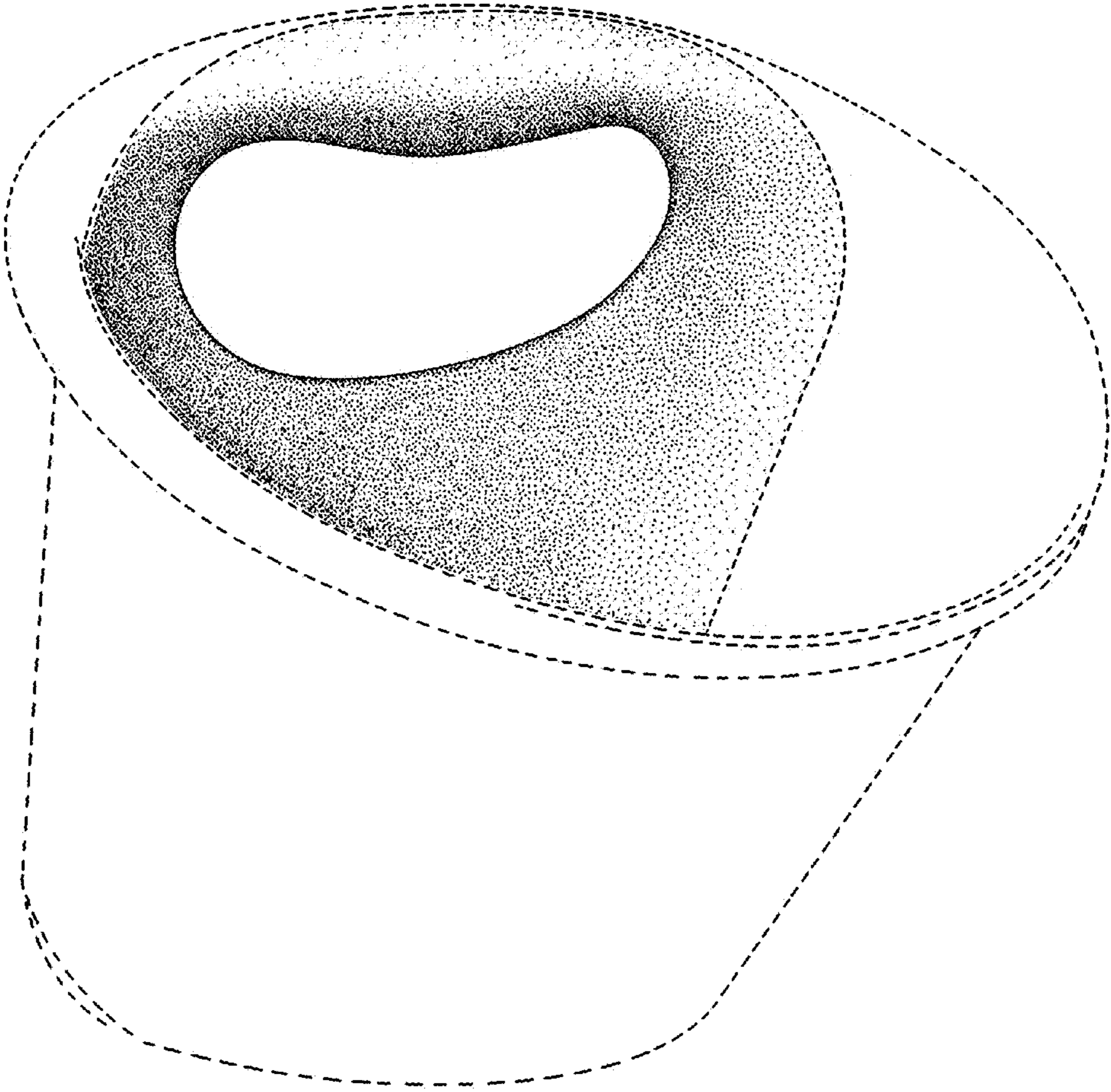


Fig. 1

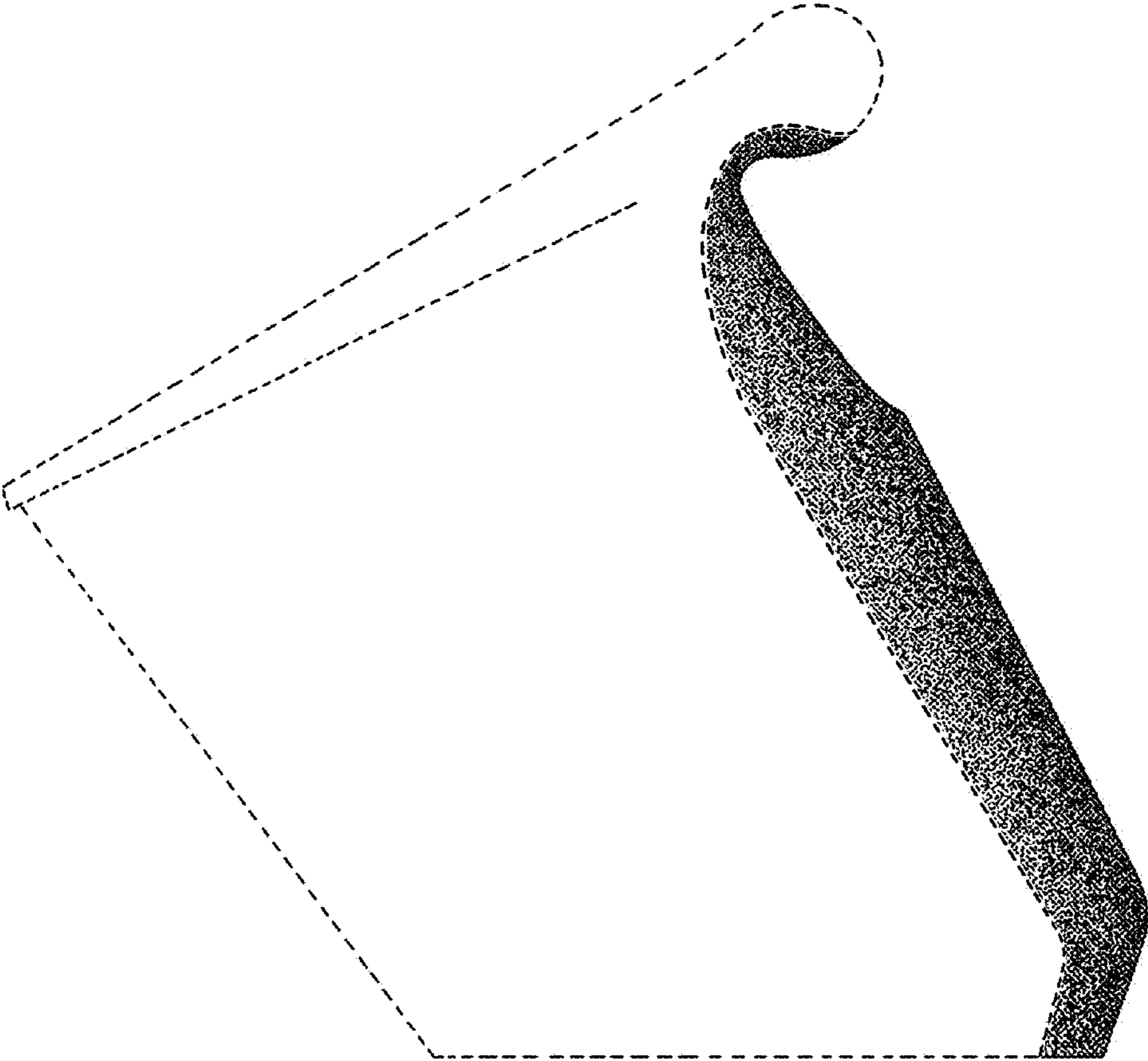


Fig. 2

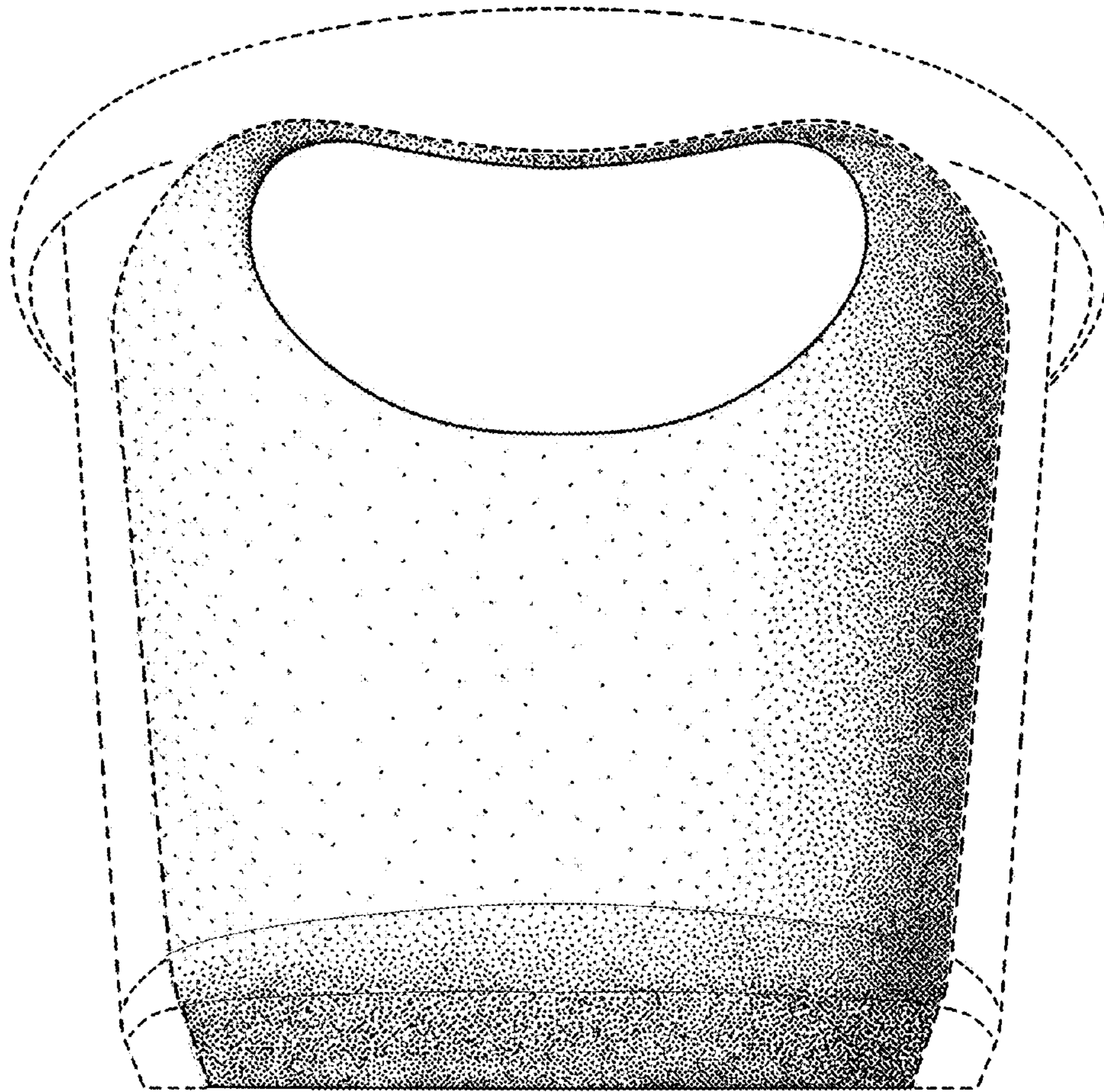


Fig. 3

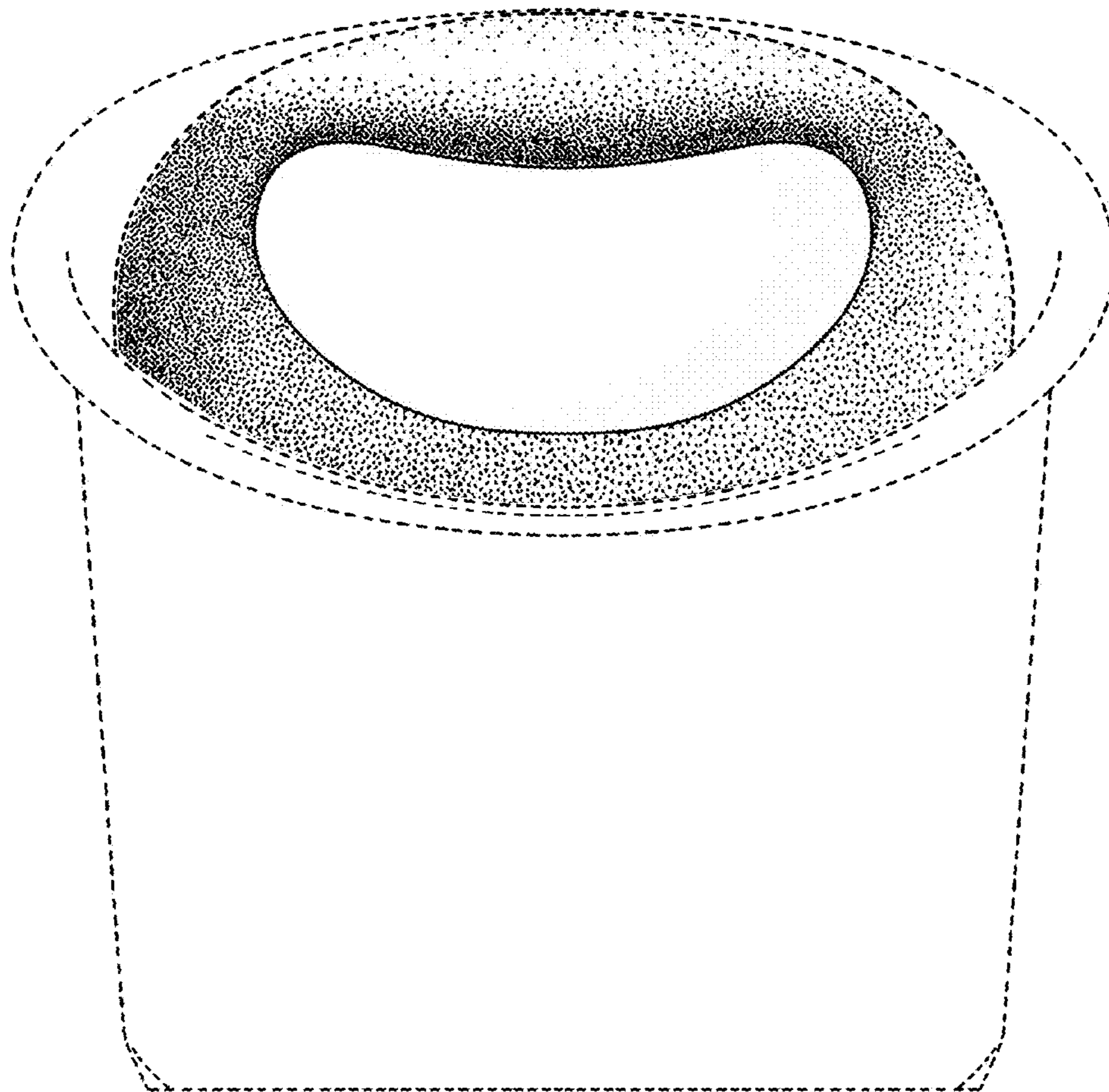


Fig. 4

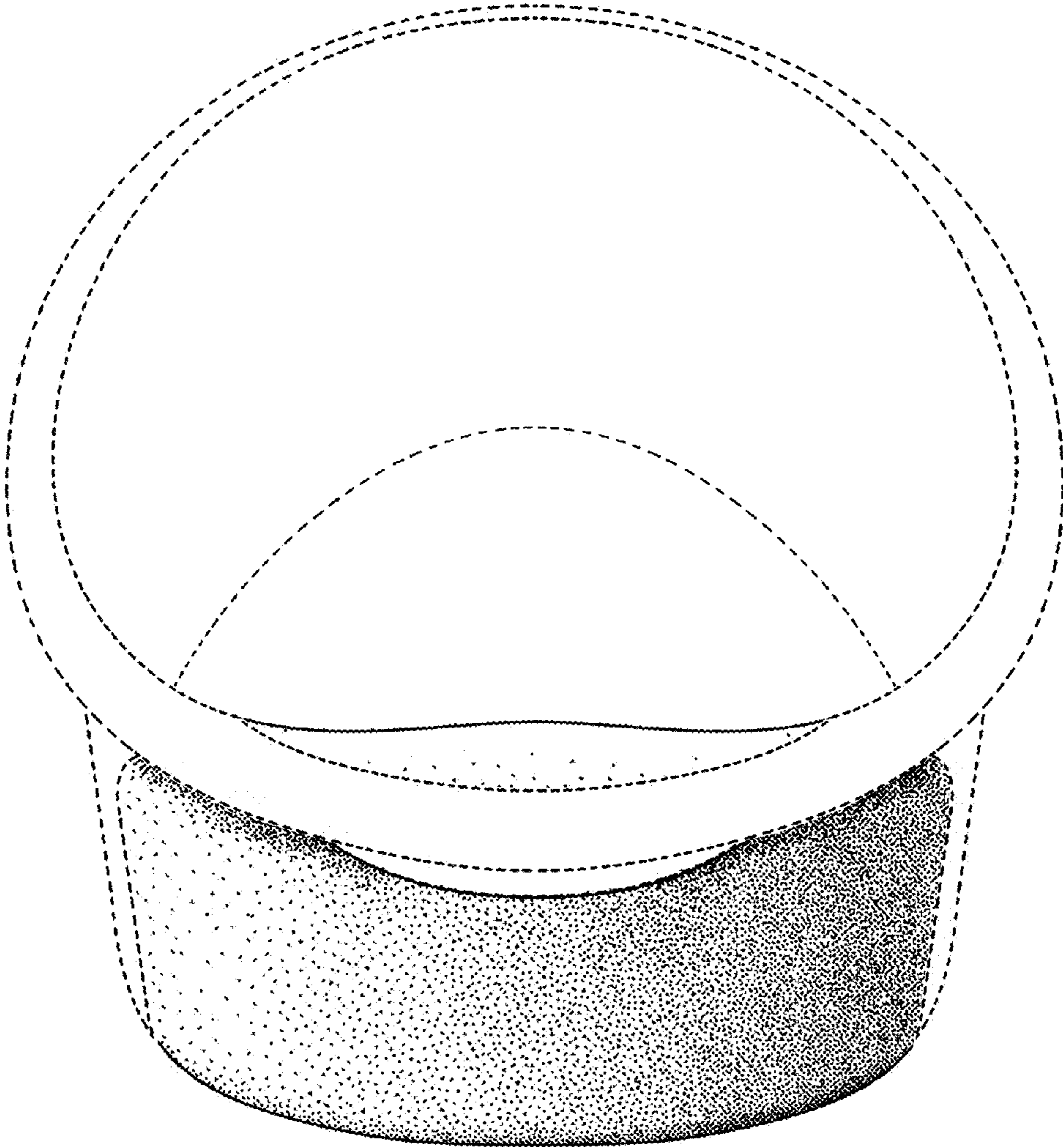


Fig. 5

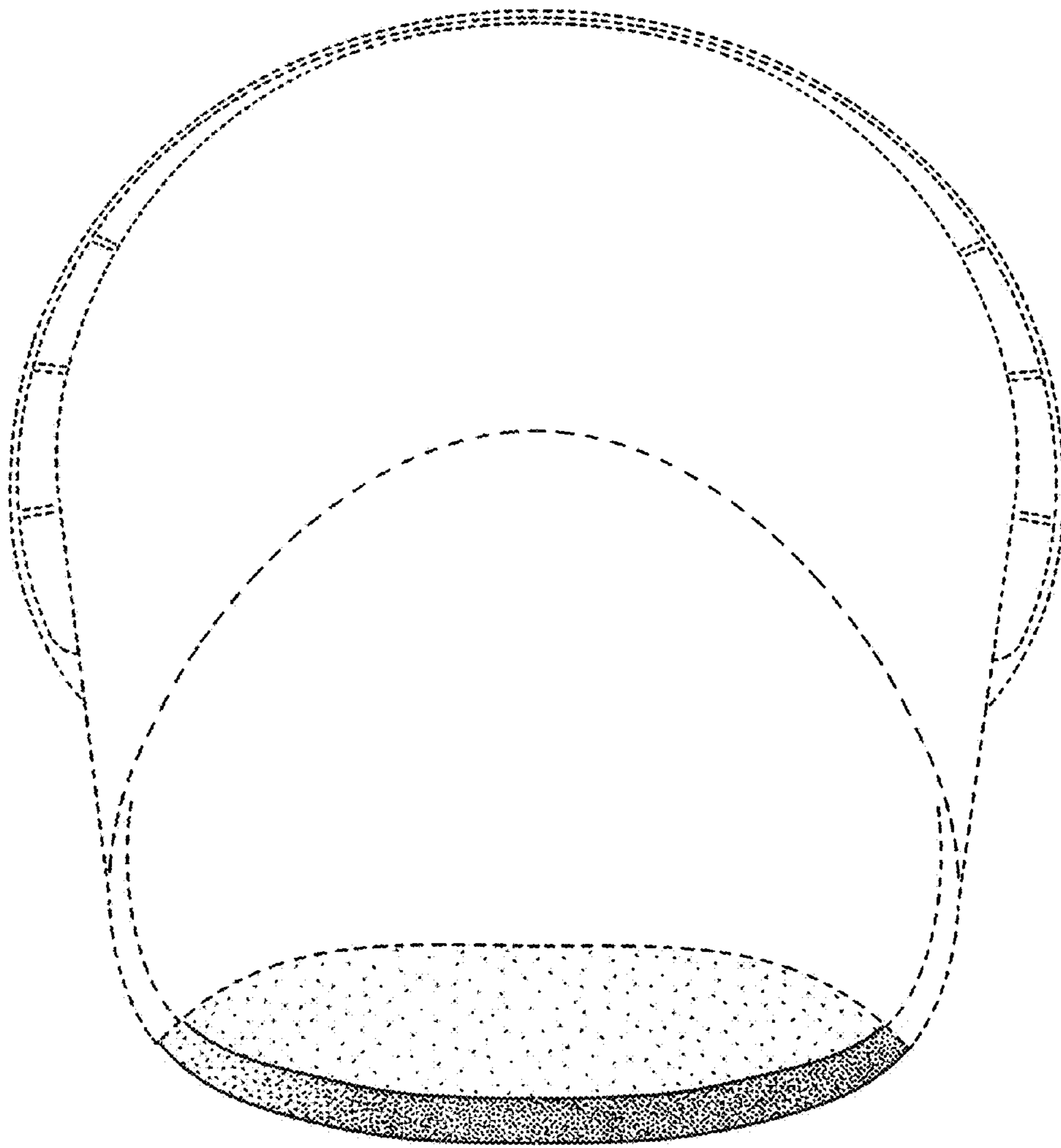


Fig. 6

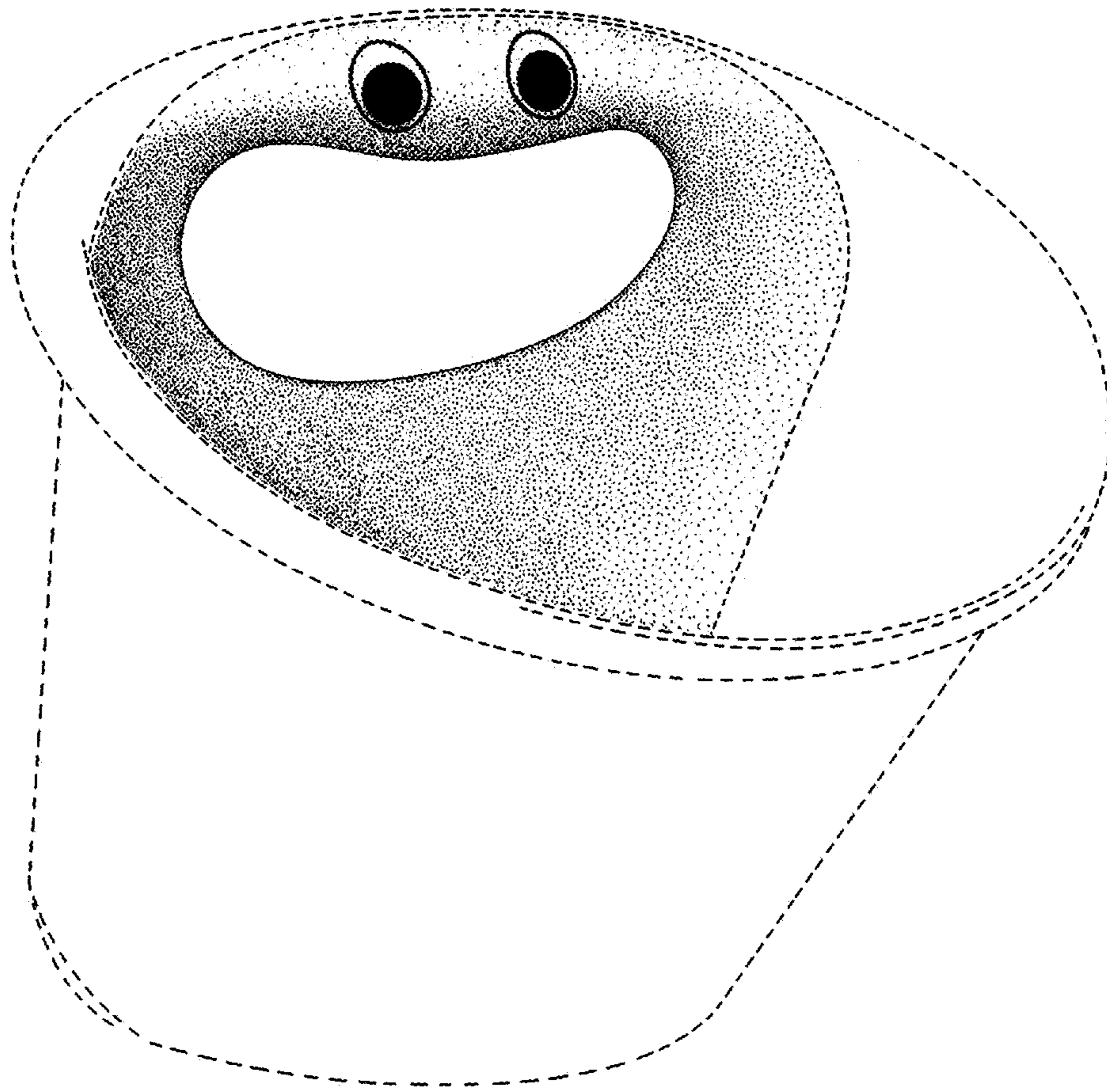


Fig. 7

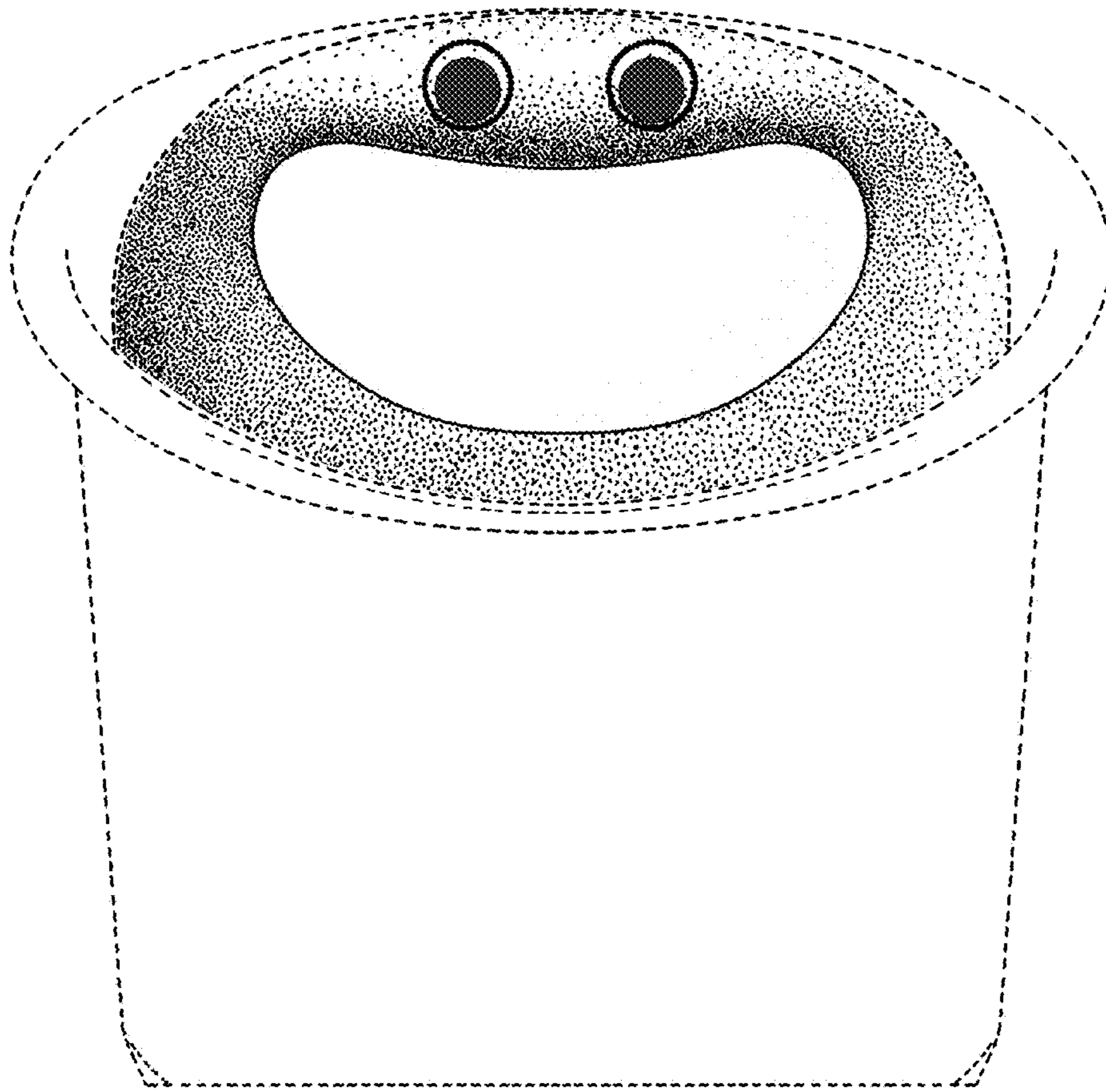


Fig. 8

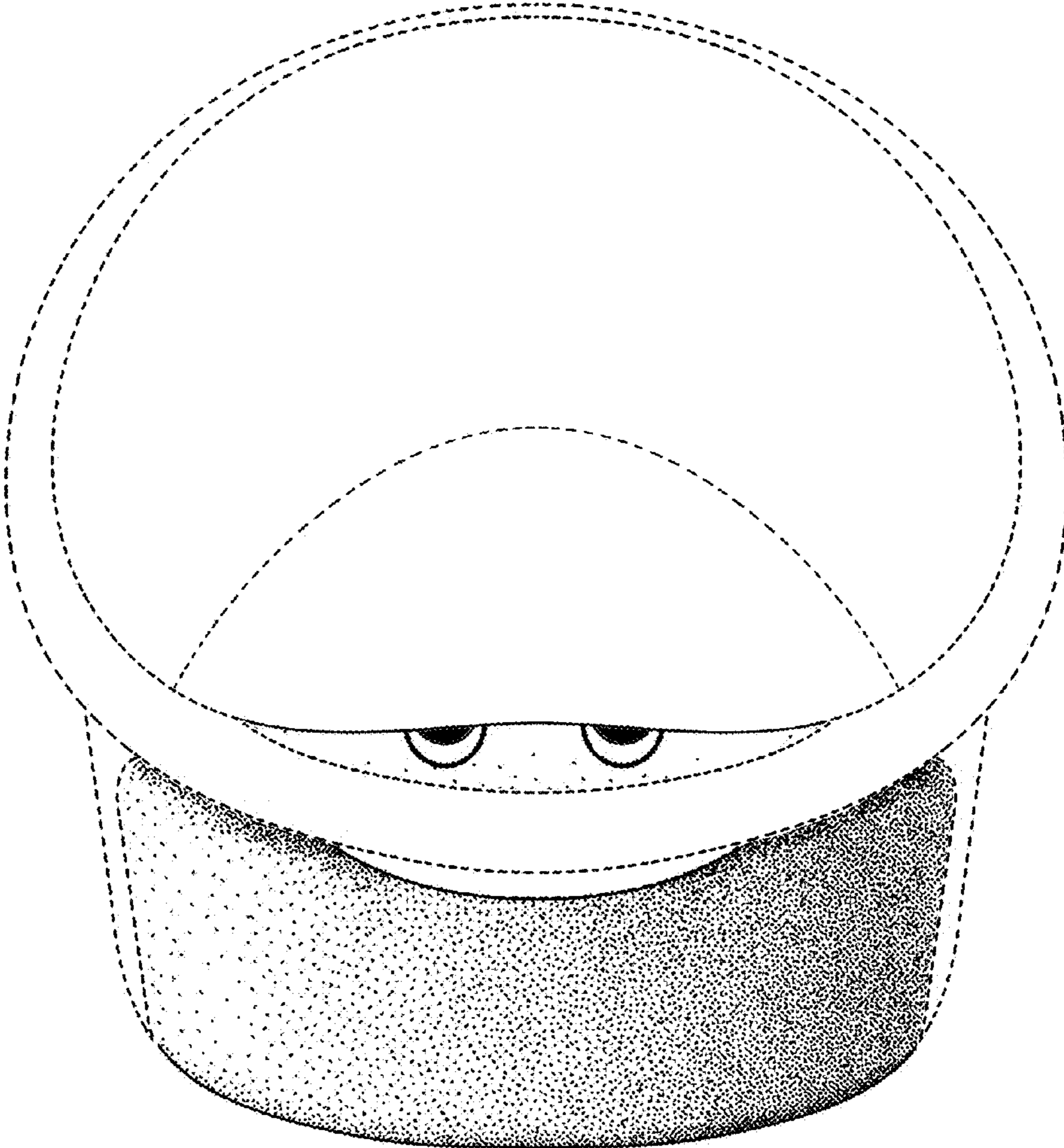


Fig. 9