



US00D765933S

(12) **United States Design Patent**  
**Bajuyo**

(10) **Patent No.:** **US D765,933 S**

(45) **Date of Patent:** **\*\* Sep. 6, 2016**

(54) **PAIL**

(71) Applicant: **Antonio Bajuyo**, South Bend, IN (US)

(72) Inventor: **Antonio Bajuyo**, South Bend, IN (US)

(\*\*) Term: **15 Years**

(21) Appl. No.: **29/546,716**

(22) Filed: **Nov. 25, 2015**

(51) **LOC (10) Cl.** ..... **07-07**

(52) **U.S. Cl.**  
USPC ..... **D32/53**

(58) **Field of Classification Search**  
USPC ..... D32/53, 53.1, 54; 15/262-264; 220/904  
CPC ..... A47L 13/58; A47L 47/18  
See application file for complete search history.

(56) **References Cited**

**U.S. PATENT DOCUMENTS**

D236,578 S \* 9/1975 Powell ..... D32/53  
6,308,379 B1 \* 10/2001 Hendrickson ..... A47J 45/065  
220/669

D462,491 S \* 9/2002 Hauenstein ..... D32/53  
D515,263 S \* 2/2006 Libman ..... D32/53  
D740,508 S \* 10/2015 Brandon ..... D32/53  
D751,783 S \* 3/2016 Bajuyo ..... D32/53

\* cited by examiner

*Primary Examiner* — Robin V Webster

(74) *Attorney, Agent, or Firm* — R. Tracy Crump

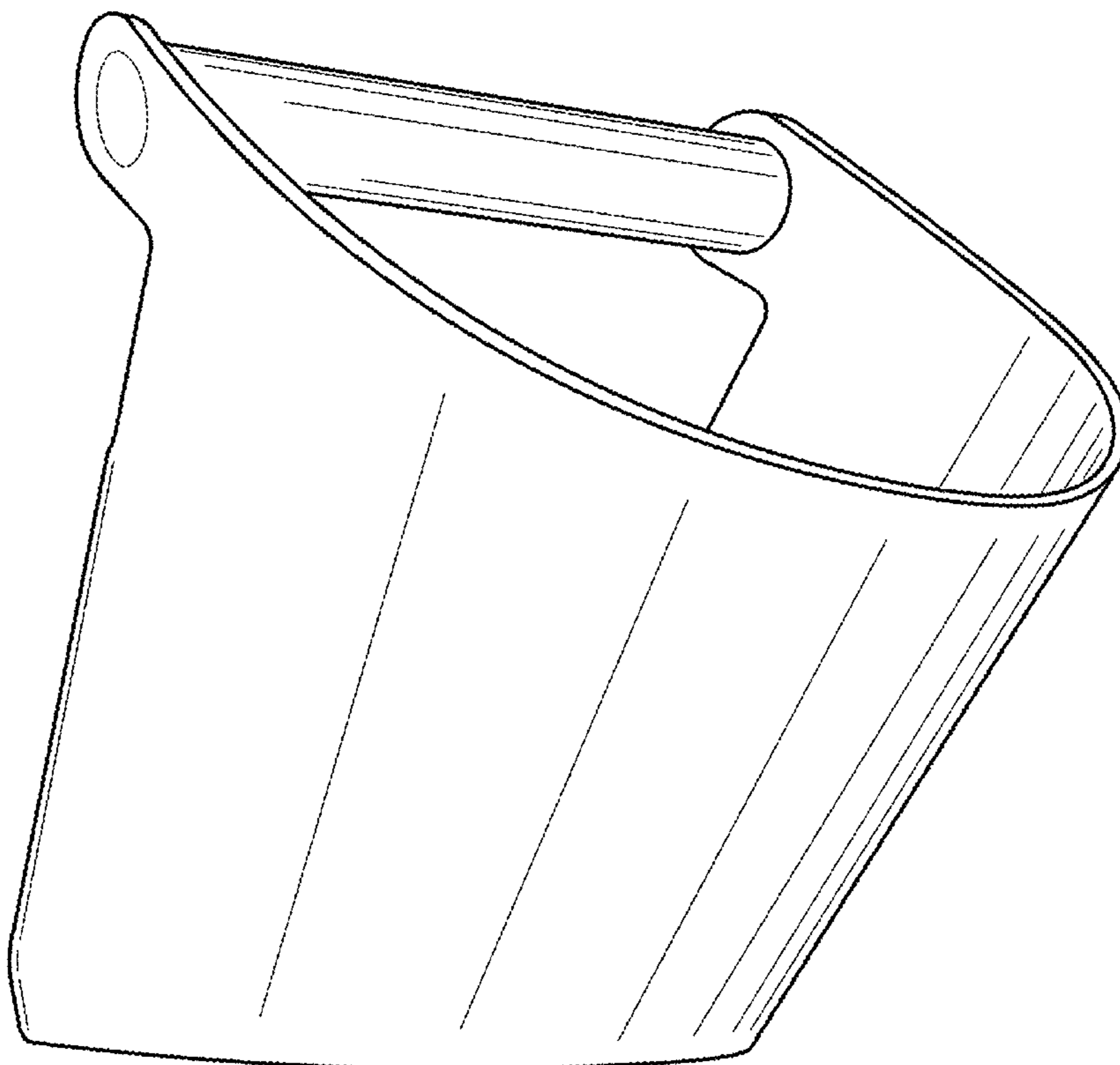
(57) **CLAIM**

I claim the ornamental design of a pail, as shown and described.

**DESCRIPTION**

FIG. 1 is a perspective view of a pail showing my design;  
FIG. 2 is a side view thereof;  
FIG. 3 is a rear view thereof;  
FIG. 4 is a front view thereof;  
FIG. 5 is a top view thereof; and,  
FIG. 6 is a bottom view thereof.

**1 Claim, 6 Drawing Sheets**



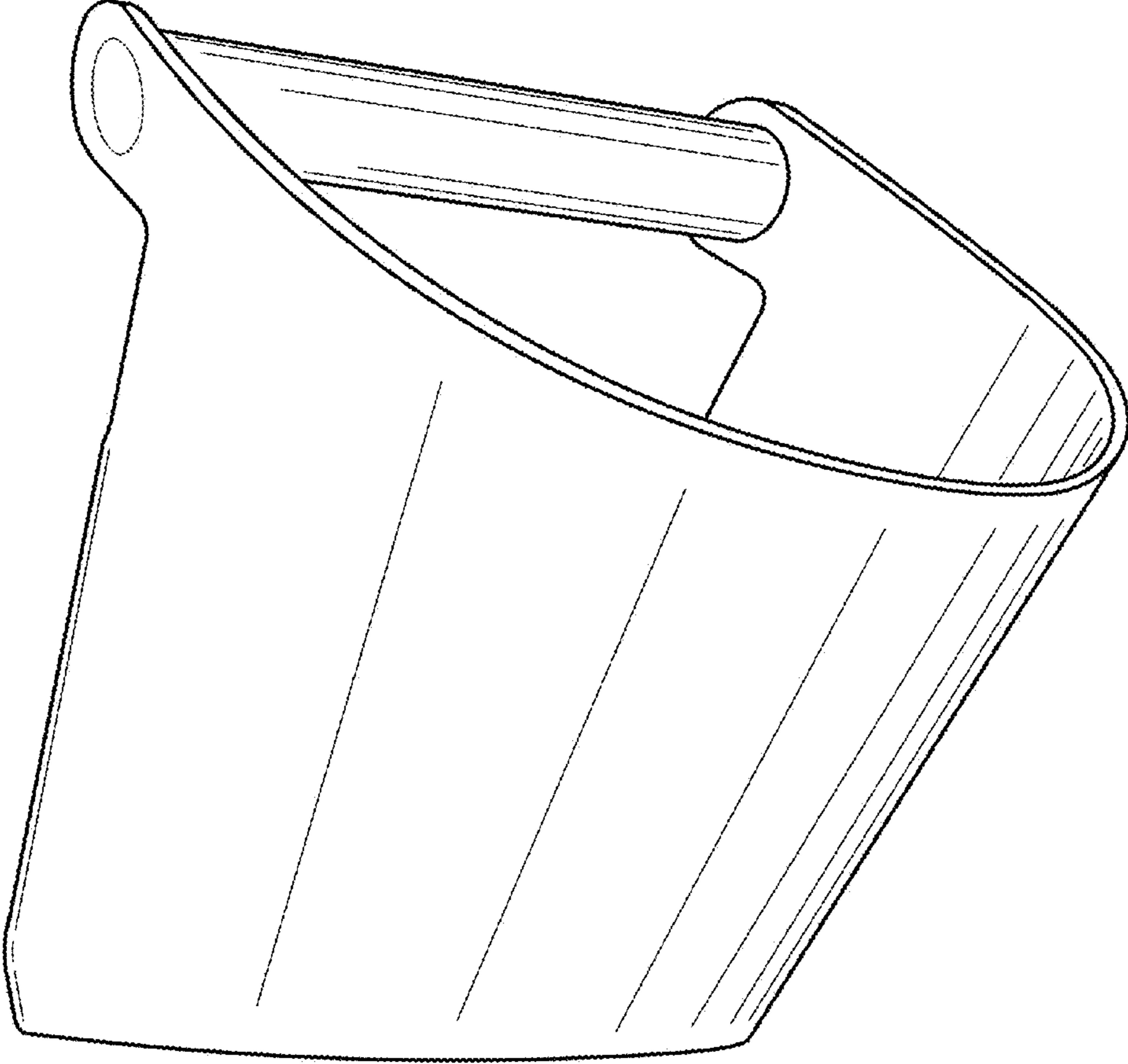


Fig. 1

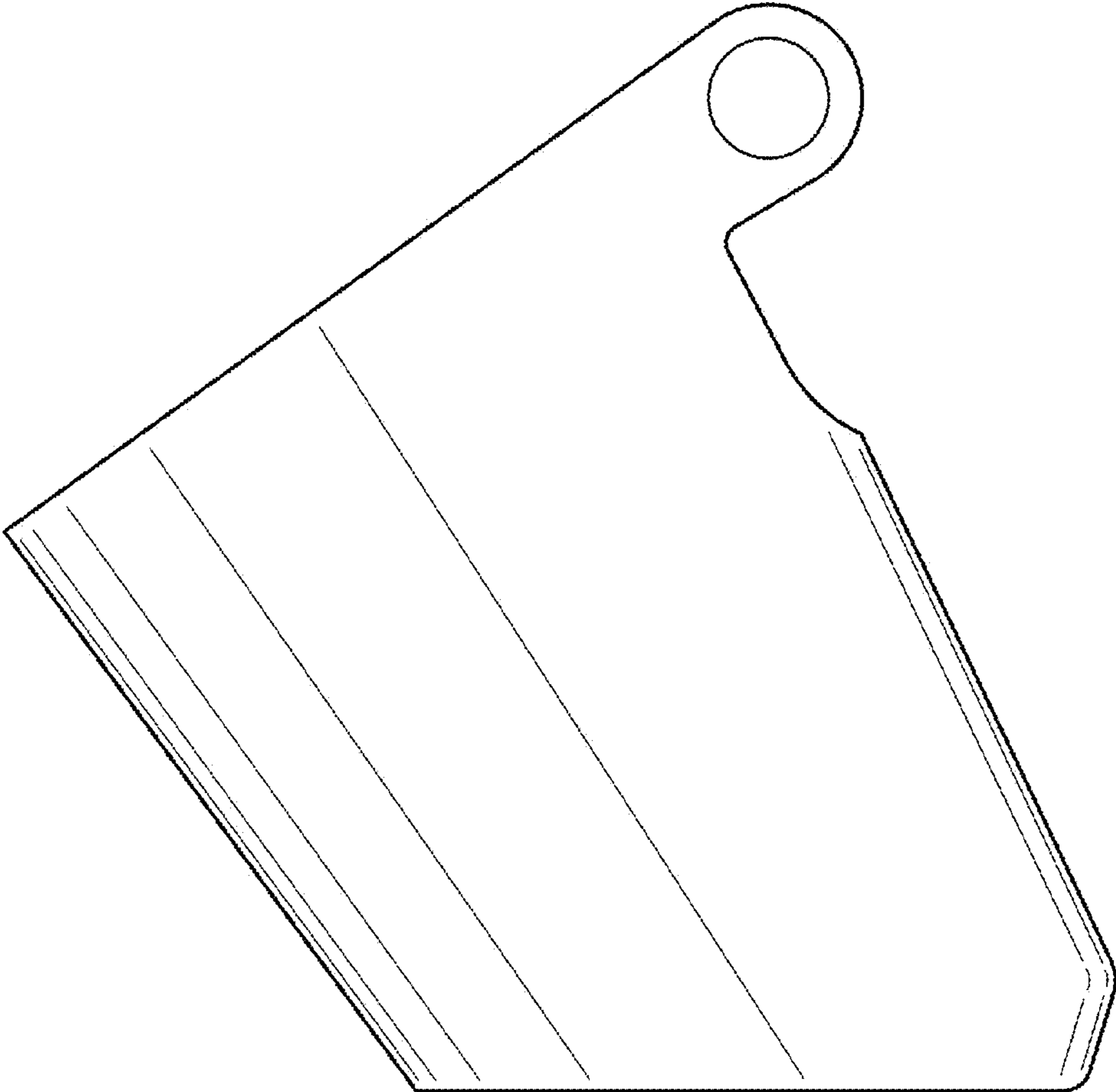


Fig. 2

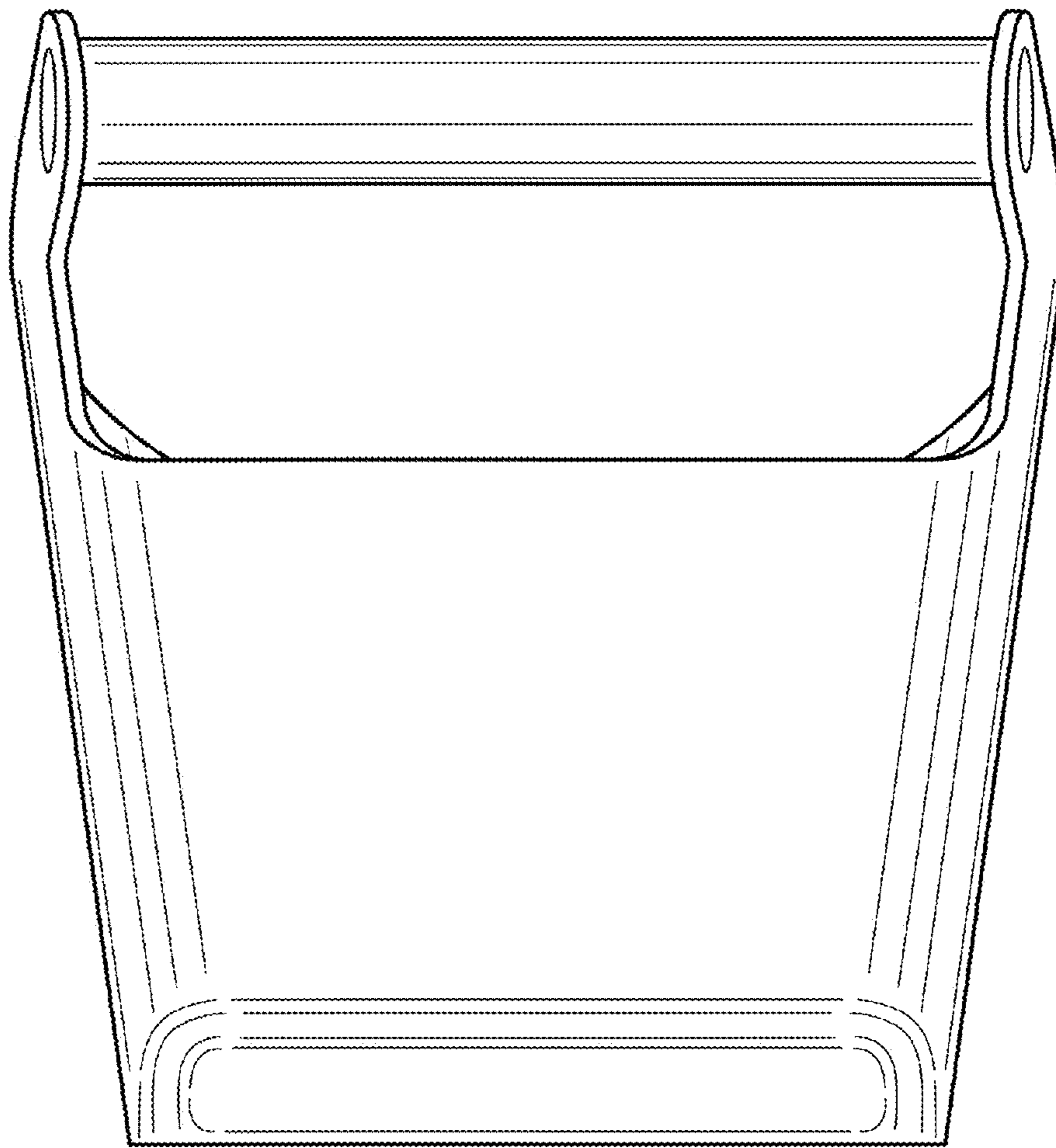


Fig. 3

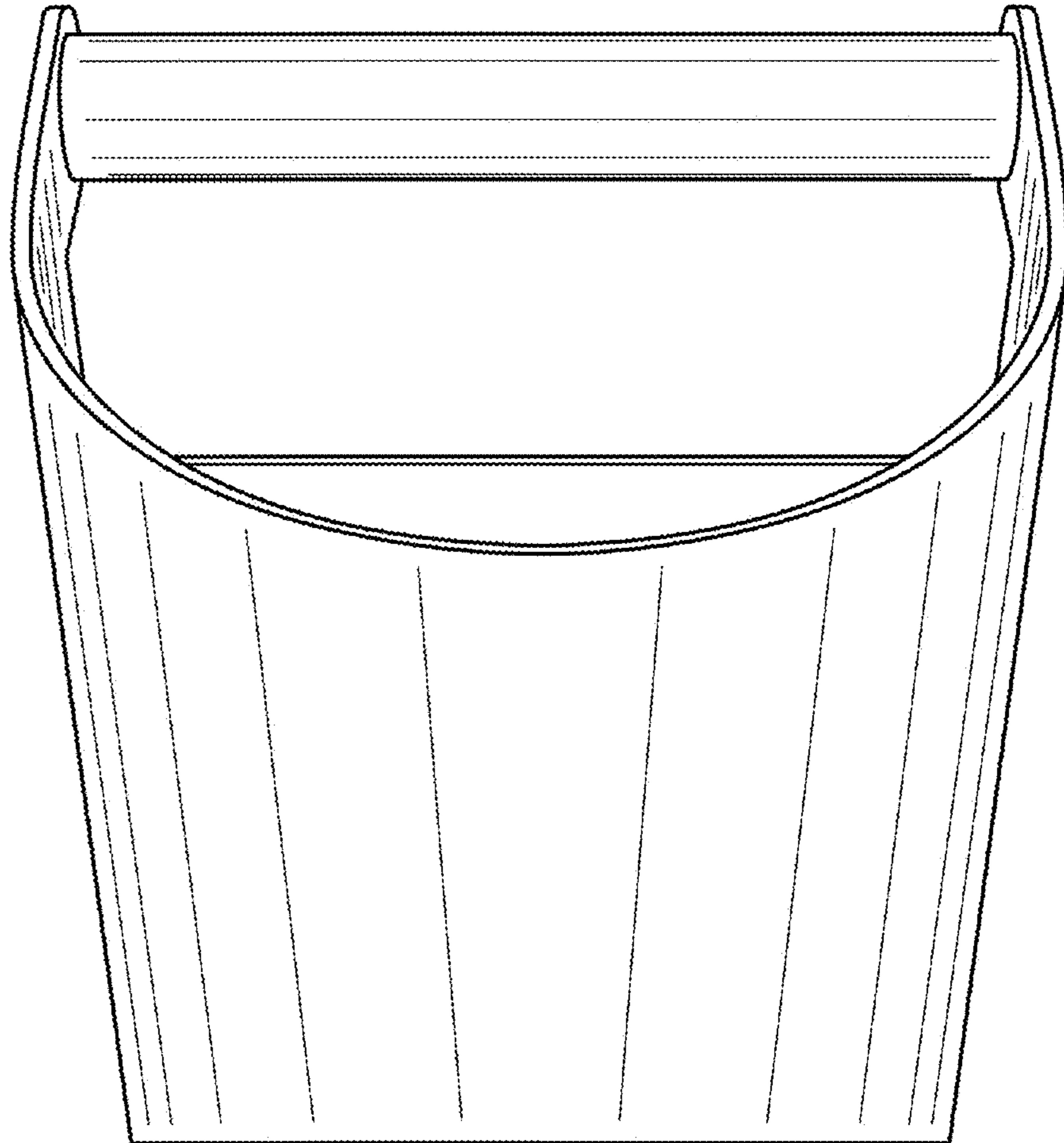


Fig. 4

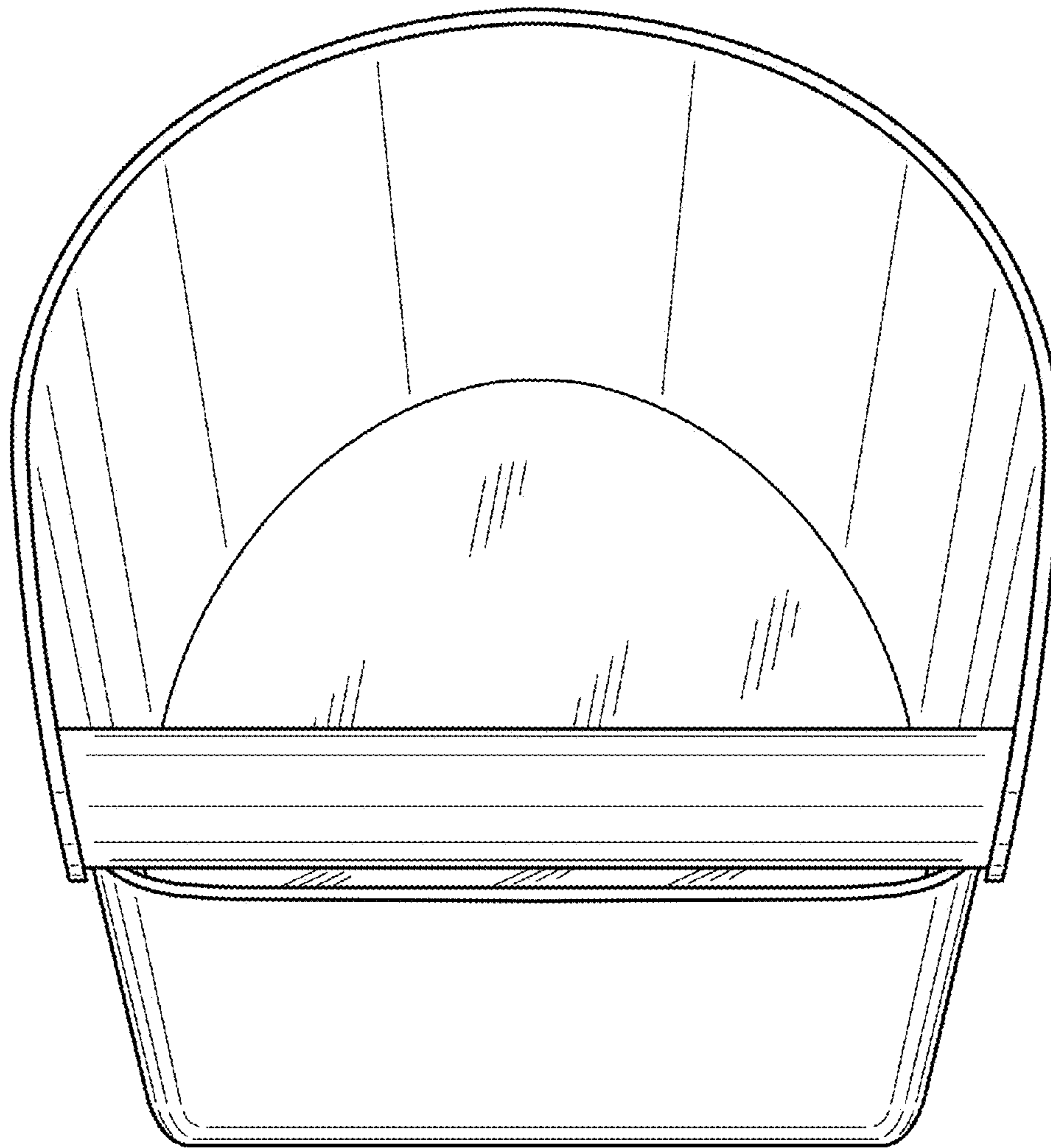


Fig. 5

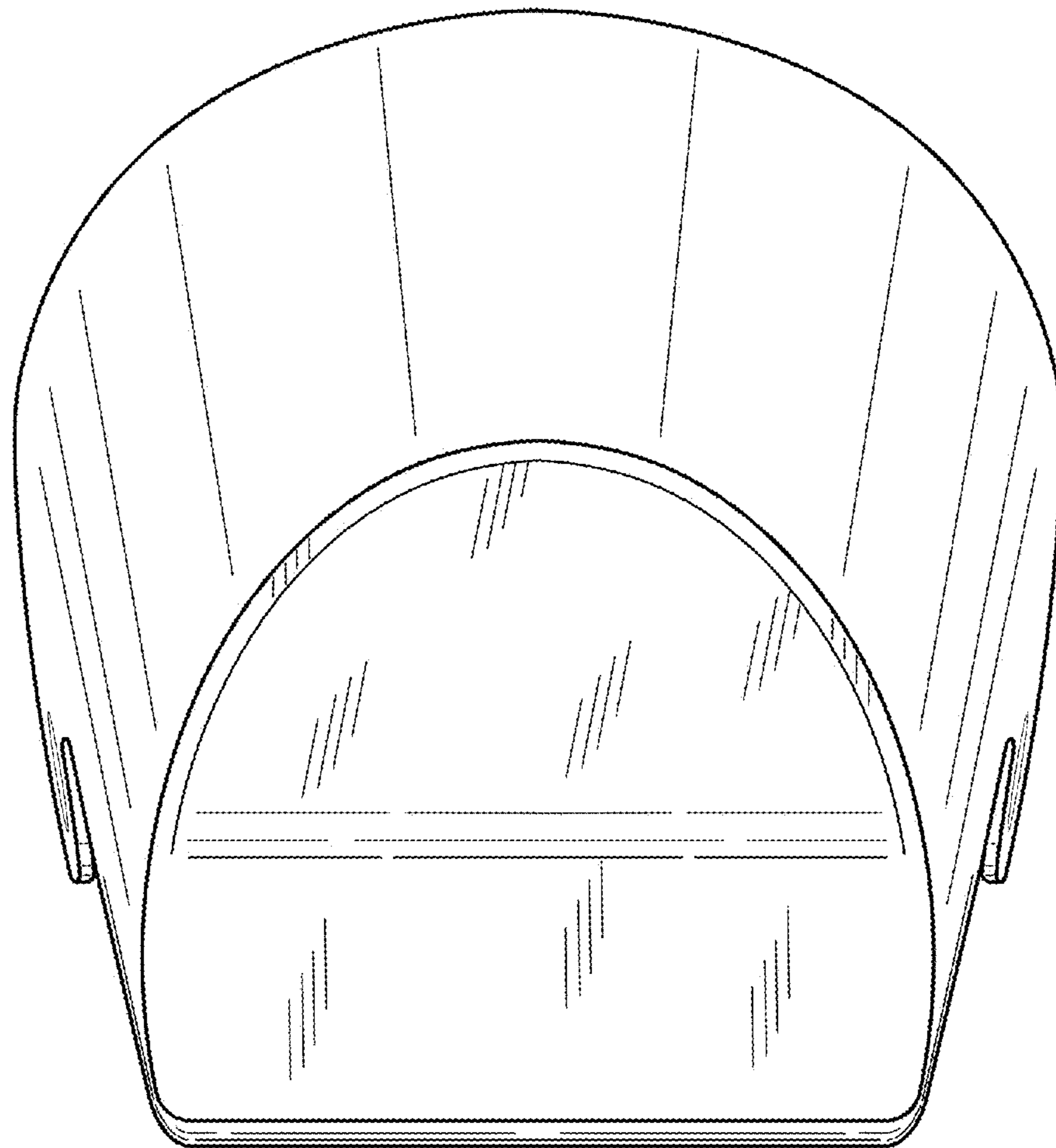


Fig. 6