



US00D765927S

(12) **United States Design Patent** (10) **Patent No.:** **US D765,927 S**  
**Choi et al.** (45) **Date of Patent:** **\*\* Sep. 6, 2016**

(54) **LINT TRAP**

(71) Applicant: **Samsung Electronics Co., Ltd.**,  
Suwon-si (KR)

(72) Inventors: **Hyoung-Sub Choi**, Goyang-si (KR);  
**Jung-Hoon Hwang**, Yongin-si (KR);  
**Deok-Sang Yun**, Ahnsan-Si (KR)

(73) Assignee: **Samsung Electronics Co., Ltd.**,  
Suwon-si (KR)

(\*\*) Term: **14 Years**

(21) Appl. No.: **29/522,749**

(22) Filed: **Apr. 2, 2015**

(30) **Foreign Application Priority Data**

Oct. 8, 2014 (KR) ..... 30-2014-0048487

(51) **LOC (10) Cl.** ..... **15-05**

(52) **U.S. Cl.**  
USPC ..... **D32/25**

(58) **Field of Classification Search**  
USPC ..... D32/1, 21, 23, 25, 31, 32, 33  
CPC ..... D06F 58/20; D06F 58/22; B01D 46/10;  
F26B 25/007  
See application file for complete search history.

(56) **References Cited**

**U.S. PATENT DOCUMENTS**

- 2,403,416 A \* 7/1946 Vandegriff ..... D06F 58/22  
34/82
- 2,509,300 A \* 5/1950 Hendrickson ..... D06F 58/22  
34/82
- 3,378,934 A \* 4/1968 Erickson ..... D06F 58/22  
34/82
- D236,319 S \* 8/1975 Jakubowski ..... D32/21
- D281,271 S \* 11/1985 Meyer ..... D23/365
- D289,096 S \* 3/1987 Larsen ..... D32/21
- D407,870 S \* 4/1999 Pappas ..... D32/25
- D482,827 S \* 11/2003 Storer ..... D32/21

- D531,769 S \* 11/2006 Lin ..... D32/21
- D533,321 S \* 12/2006 Peng ..... D32/21
- D533,694 S \* 12/2006 Cheng ..... D32/21
- D549,892 S \* 8/2007 Lin ..... D32/1

(Continued)

**FOREIGN PATENT DOCUMENTS**

- JP D2001-13243 8/2002
- JP D2006-25921 5/2007
- JP D2010-23593 8/2011

*Primary Examiner* — T. Chase Nelson

*Assistant Examiner* — Michelle E Wilson

(74) *Attorney, Agent, or Firm* — NSIP Law

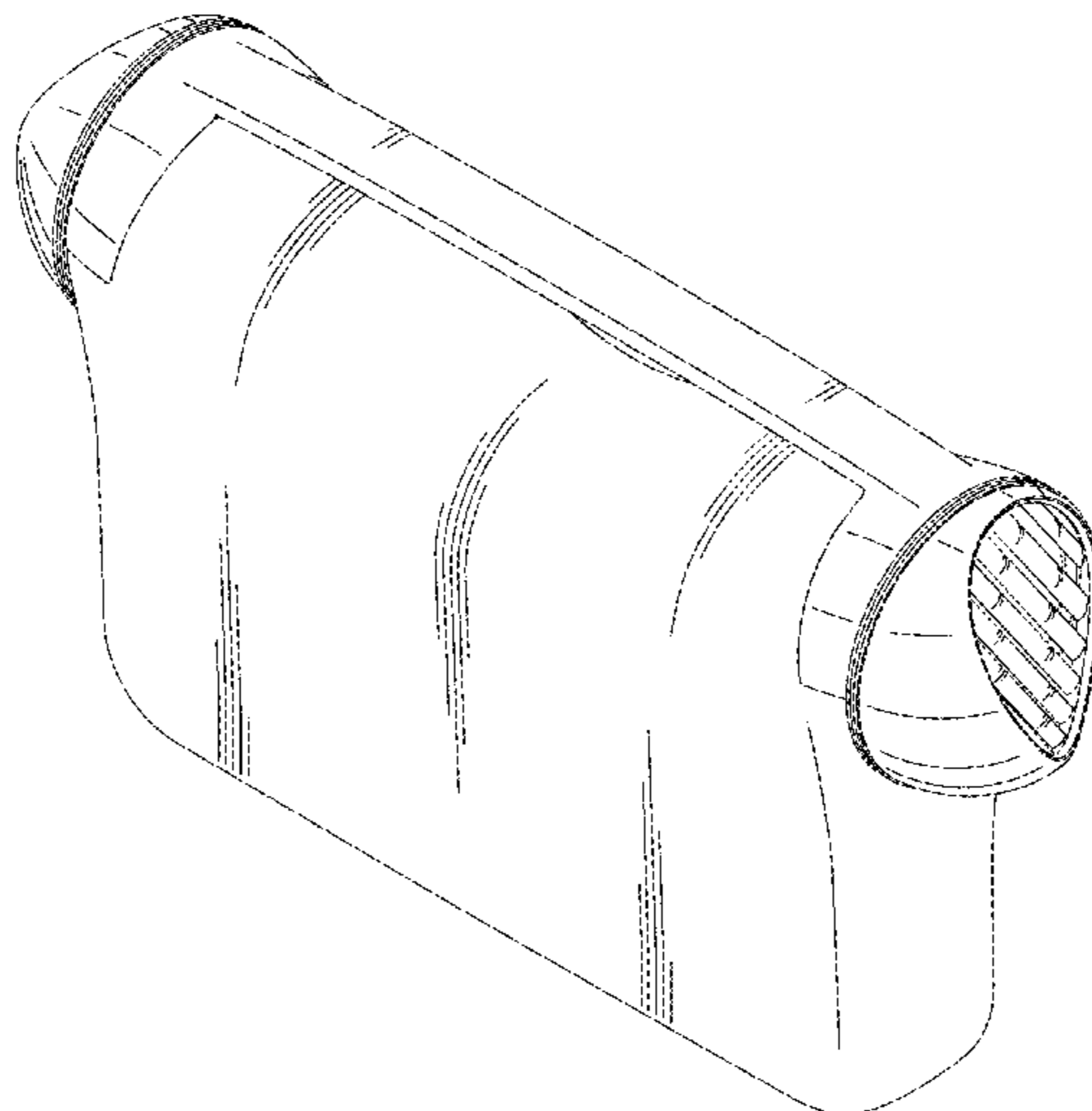
(57) **CLAIM**

We claim the ornamental design for a lint trap, as shown and described.

**DESCRIPTION**

FIG. 1 is a front perspective view of a lint trap showing our new design;  
 FIG. 2 is a front view thereof;  
 FIG. 3 is a rear view thereof;  
 FIG. 4 is a left-side view thereof;  
 FIG. 5 is a right-side view thereof;  
 FIG. 6 is a top view thereof;  
 FIG. 7 is a bottom view thereof; and,  
 FIG. 8 is a rear perspective view thereof.  
 FIG. 9 is an cross-sectional view of the lint trap taken through line 9-9' of FIG. 2;  
 FIG. 10 is an enlarged view of the encircled portion shown in FIG. 3 labeled 10; and,  
 FIG. 11 is an enlarged view of the encircled portion shown in FIG. 9 labeled 11.  
 The broken lines in the figures show portions of the lint trap which form no part of the claimed design.  
 The dot-dash broken lines encircling portions of the claimed design that are illustrated in enlargements form no part of the claimed design.

**1 Claim, 11 Drawing Sheets**



# US D765,927 S

Page 2

(56)

## References Cited

### U.S. PATENT DOCUMENTS

D566,350 S *	4/2008	Leasure	.....	D32/21	D668,409 S *	10/2012	Witter	.....	D32/31
D632,854 S *	2/2011	Witter	.....	D32/21	D689,250 S	9/2013	Zelaya		
D634,904 S *	3/2011	Preda	.....	D32/25	2005/0160708 A1 *	7/2005	Iantorno	.....	B01D 46/10 55/482
D654,642 S *	2/2012	Preda	.....	D32/25	2005/0252022 A1 *	11/2005	Tyau	.....	F26B 25/007 34/82
D654,643 S	2/2012	Preda			2014/0165415 A1 *	6/2014	Tarifi	.....	D06F 58/20 34/82

\* cited by examiner

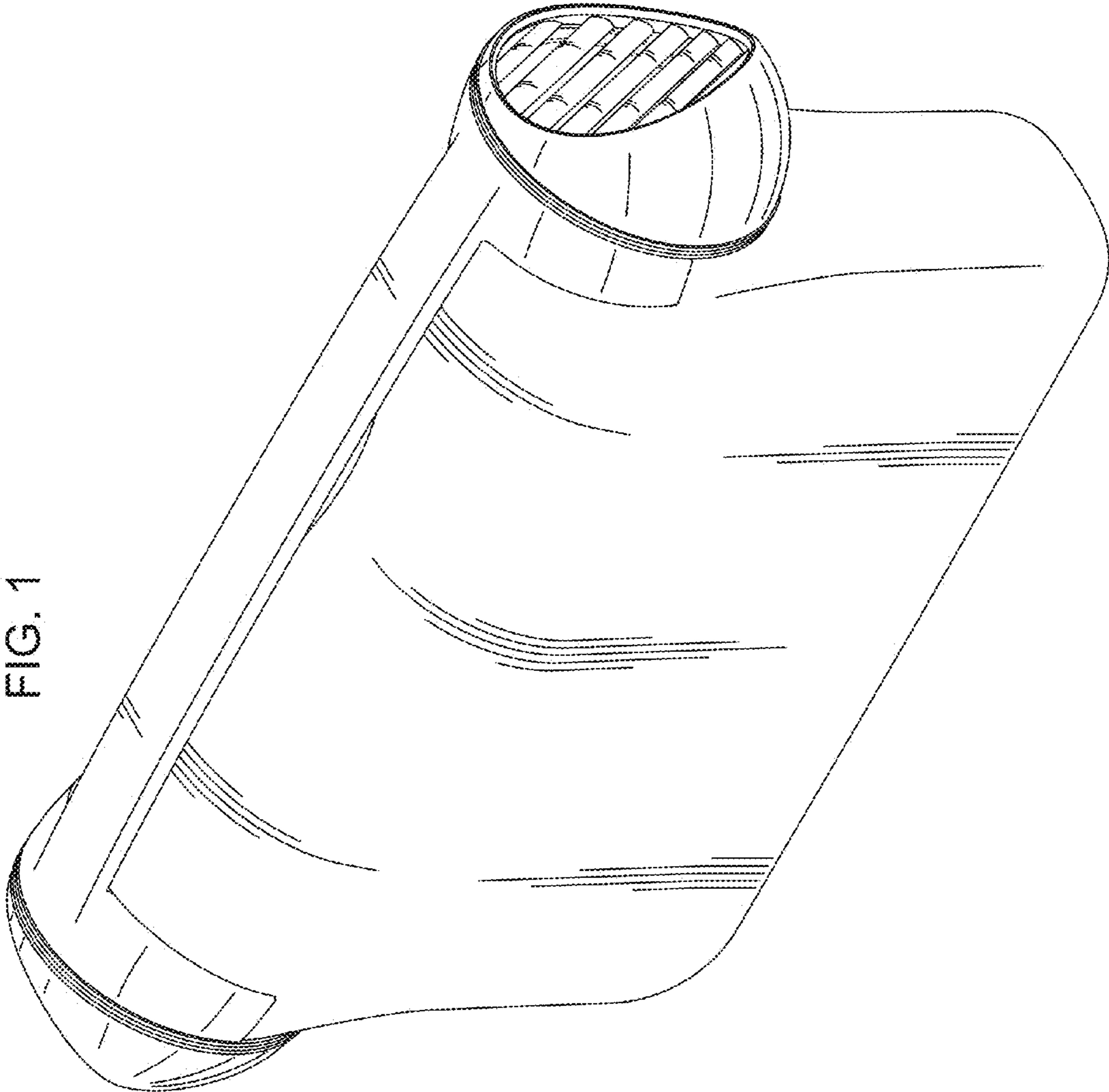


FIG. 1

FIG. 2

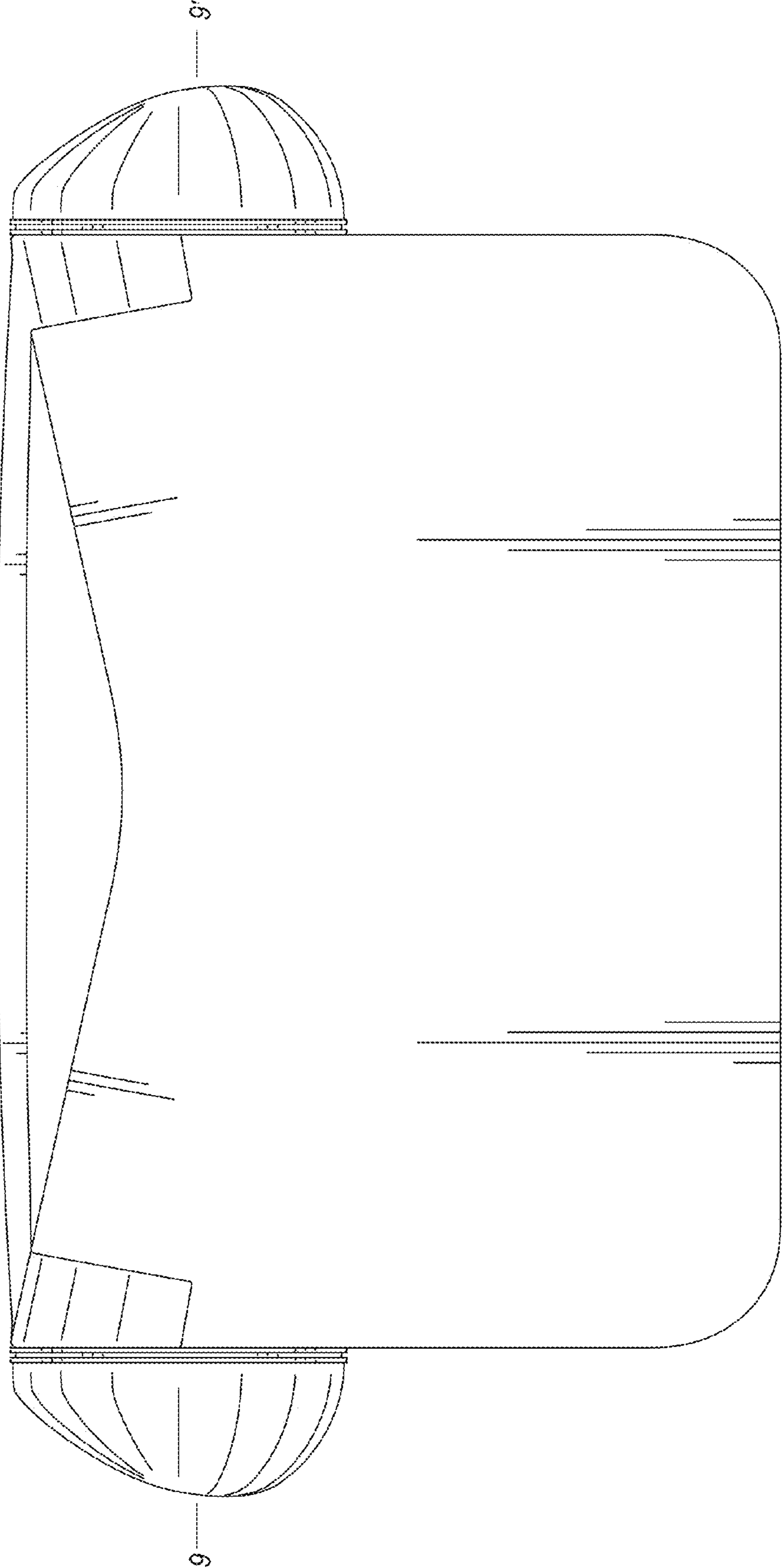


FIG. 3

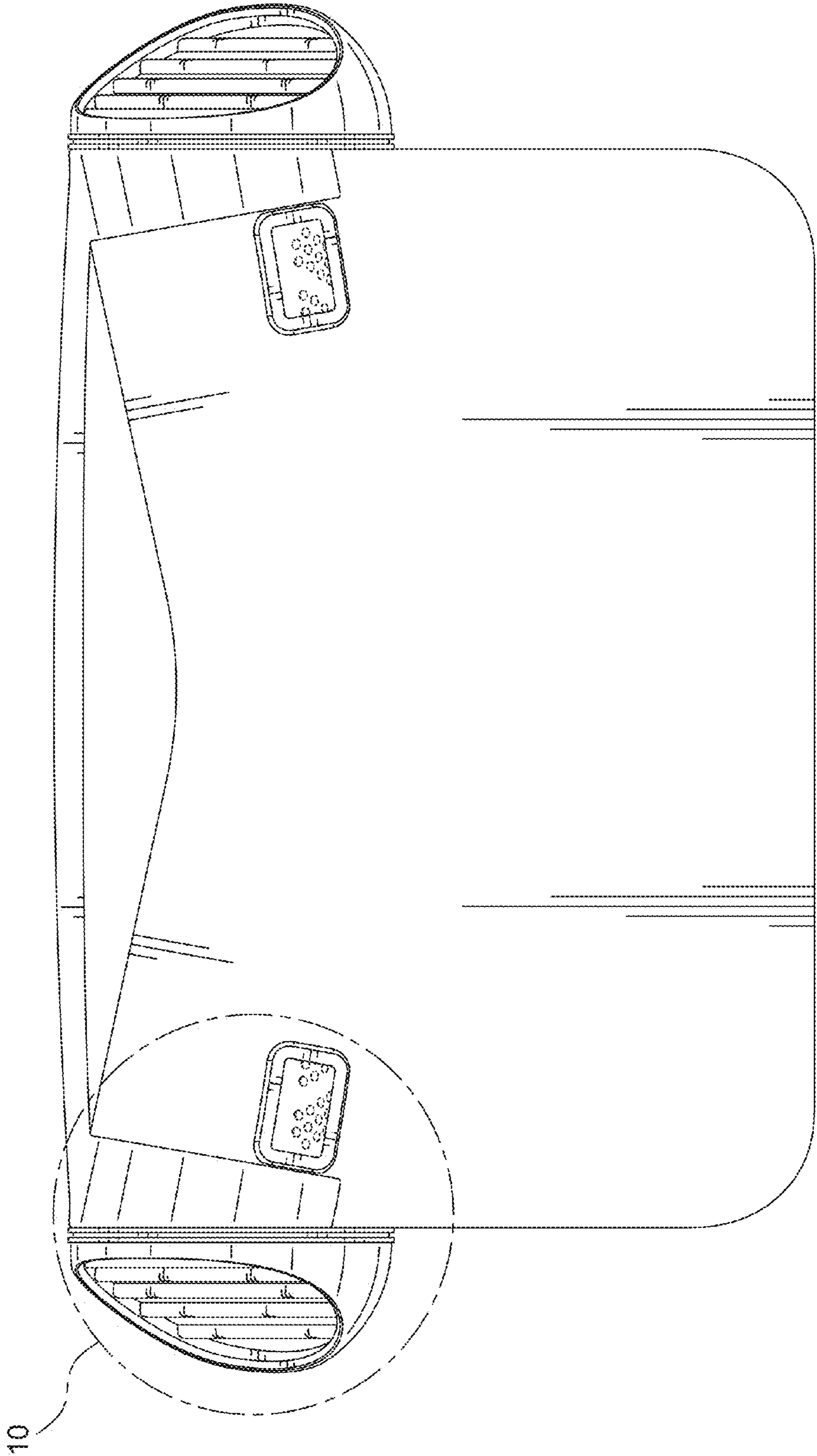


FIG. 4

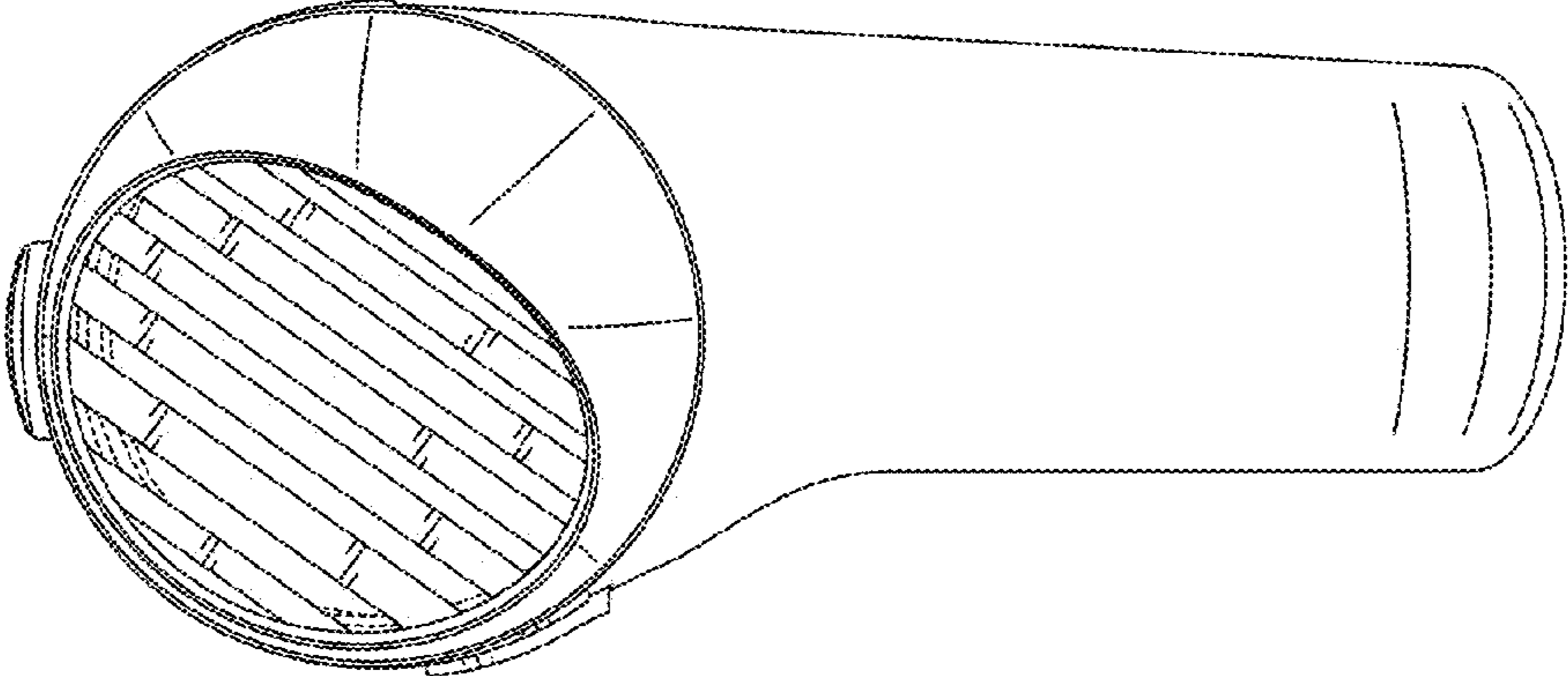


FIG. 5

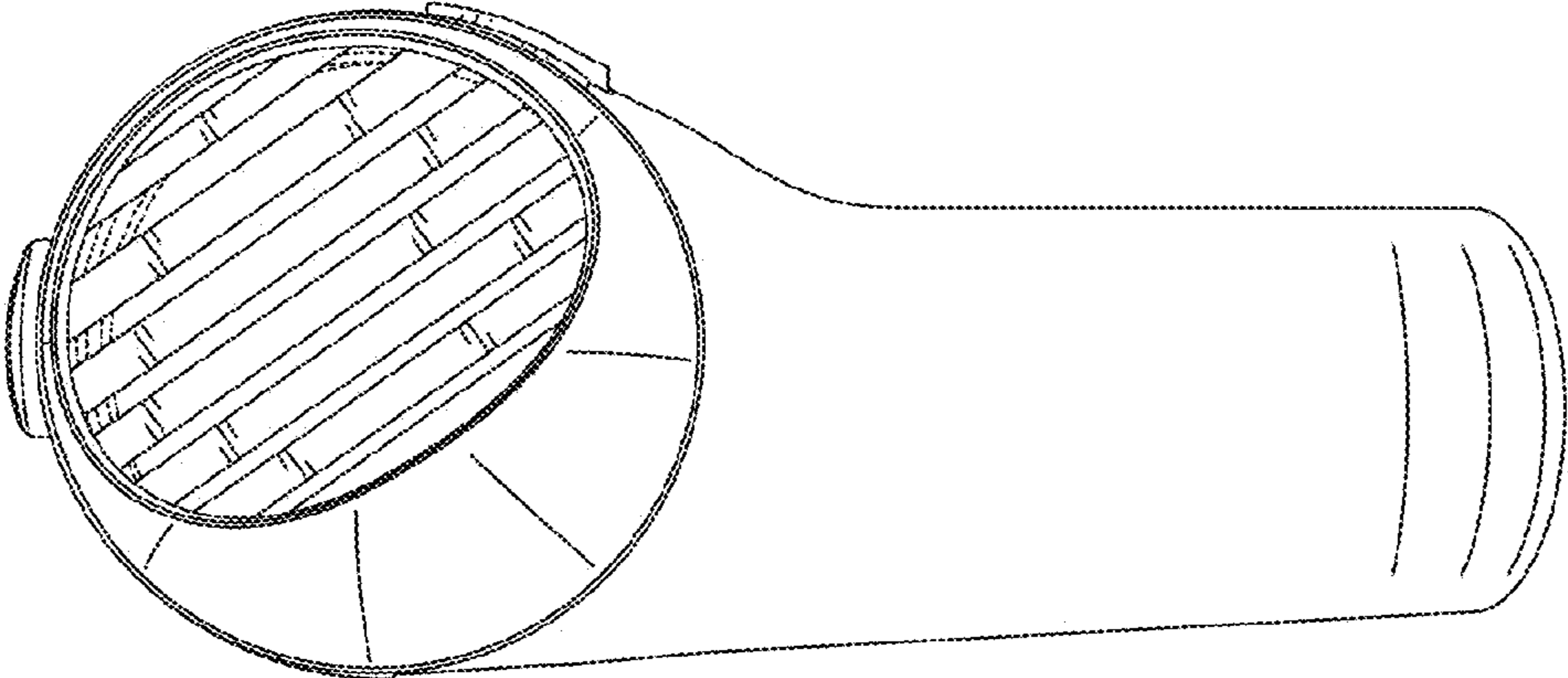


FIG. 6

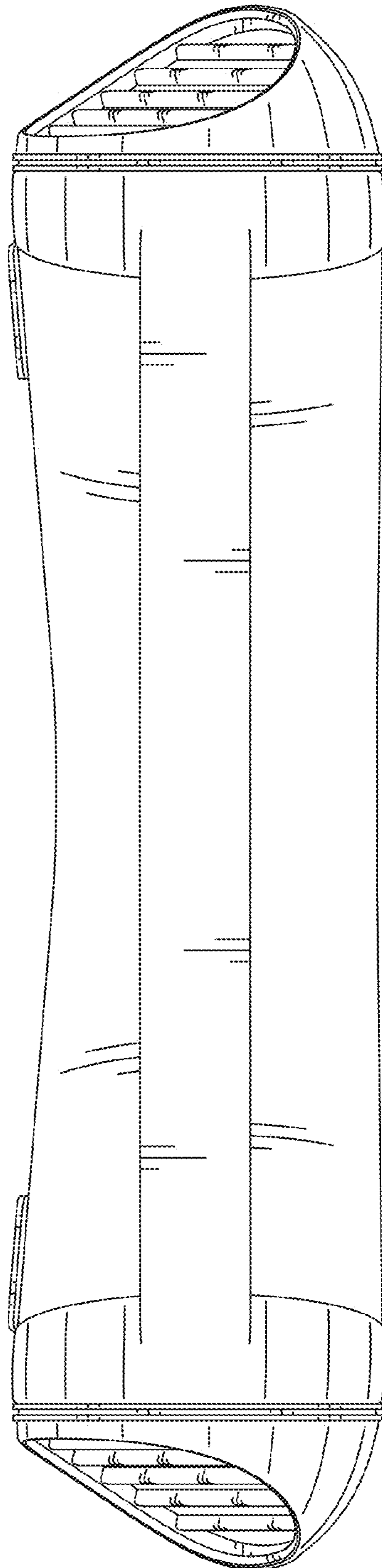




FIG. 7

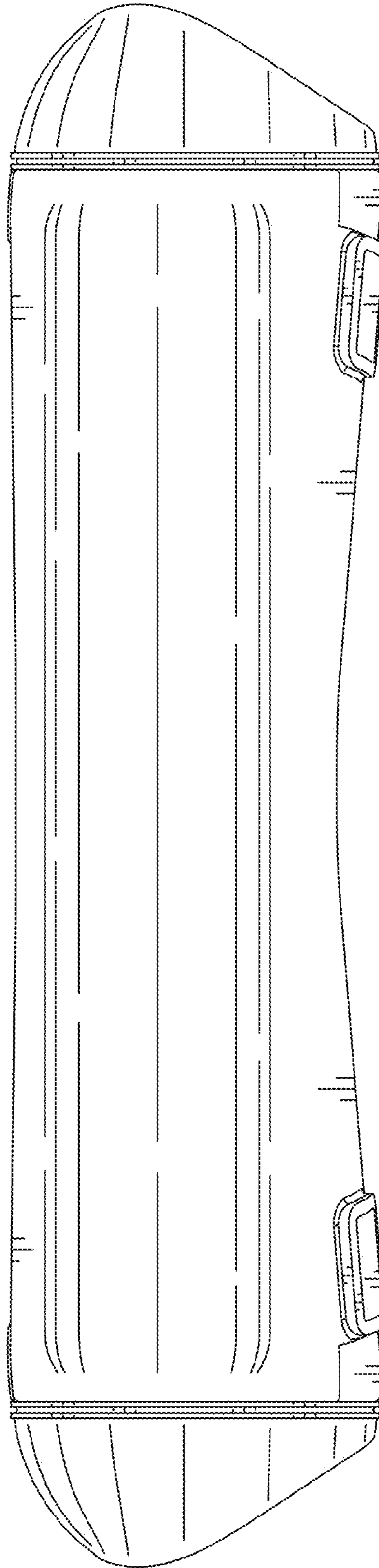


FIG. 8

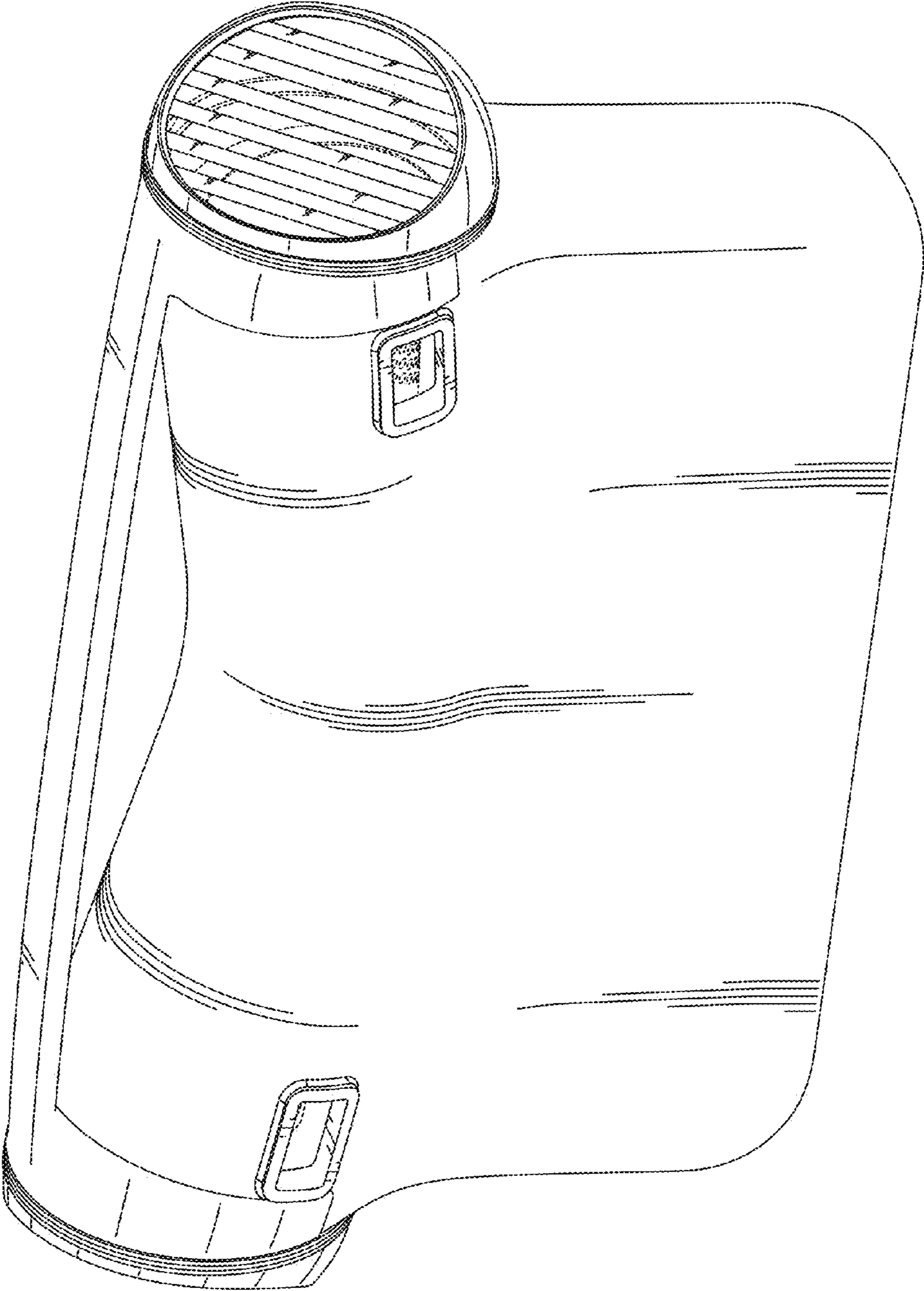


FIG. 9

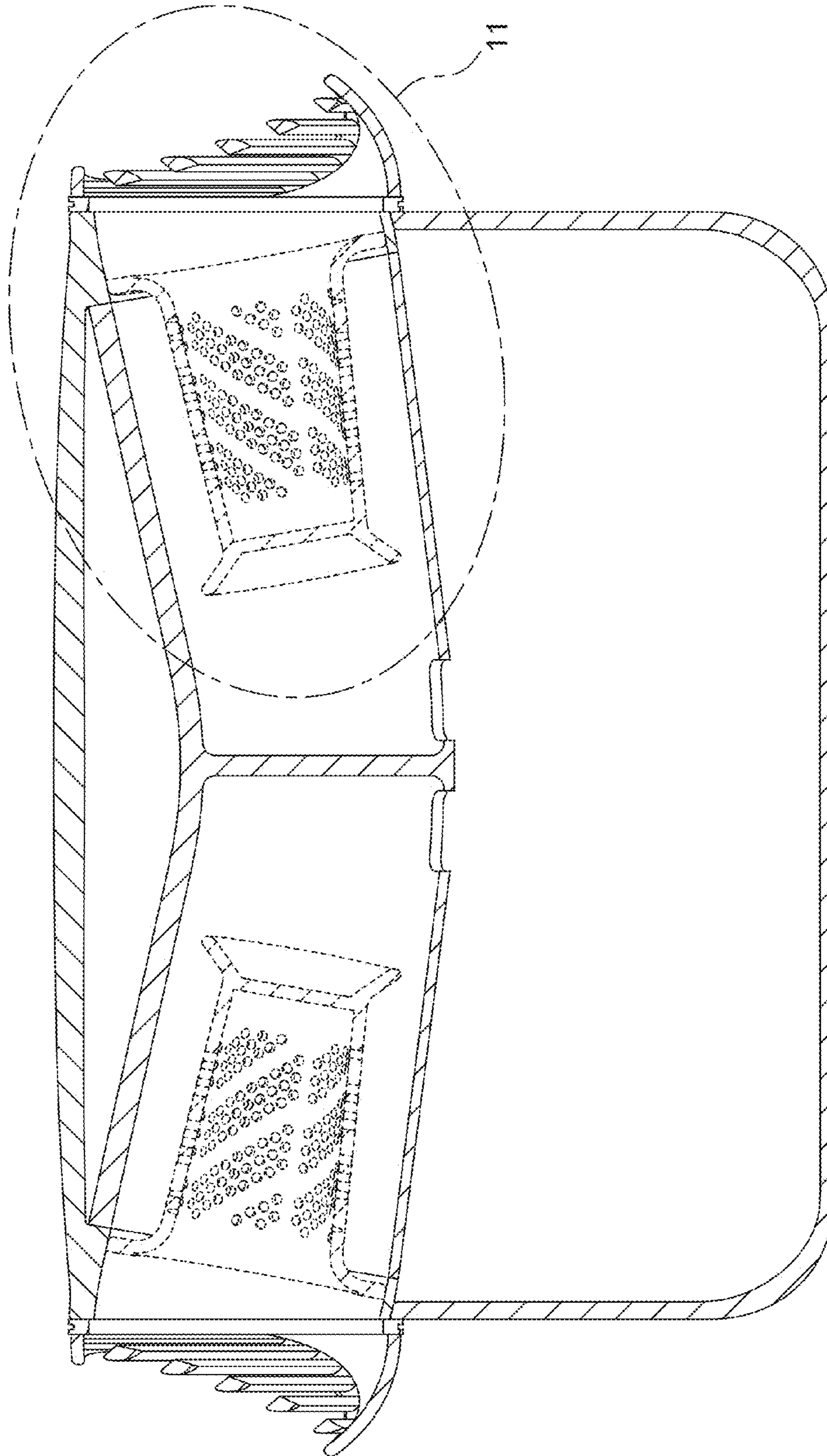


FIG. 10

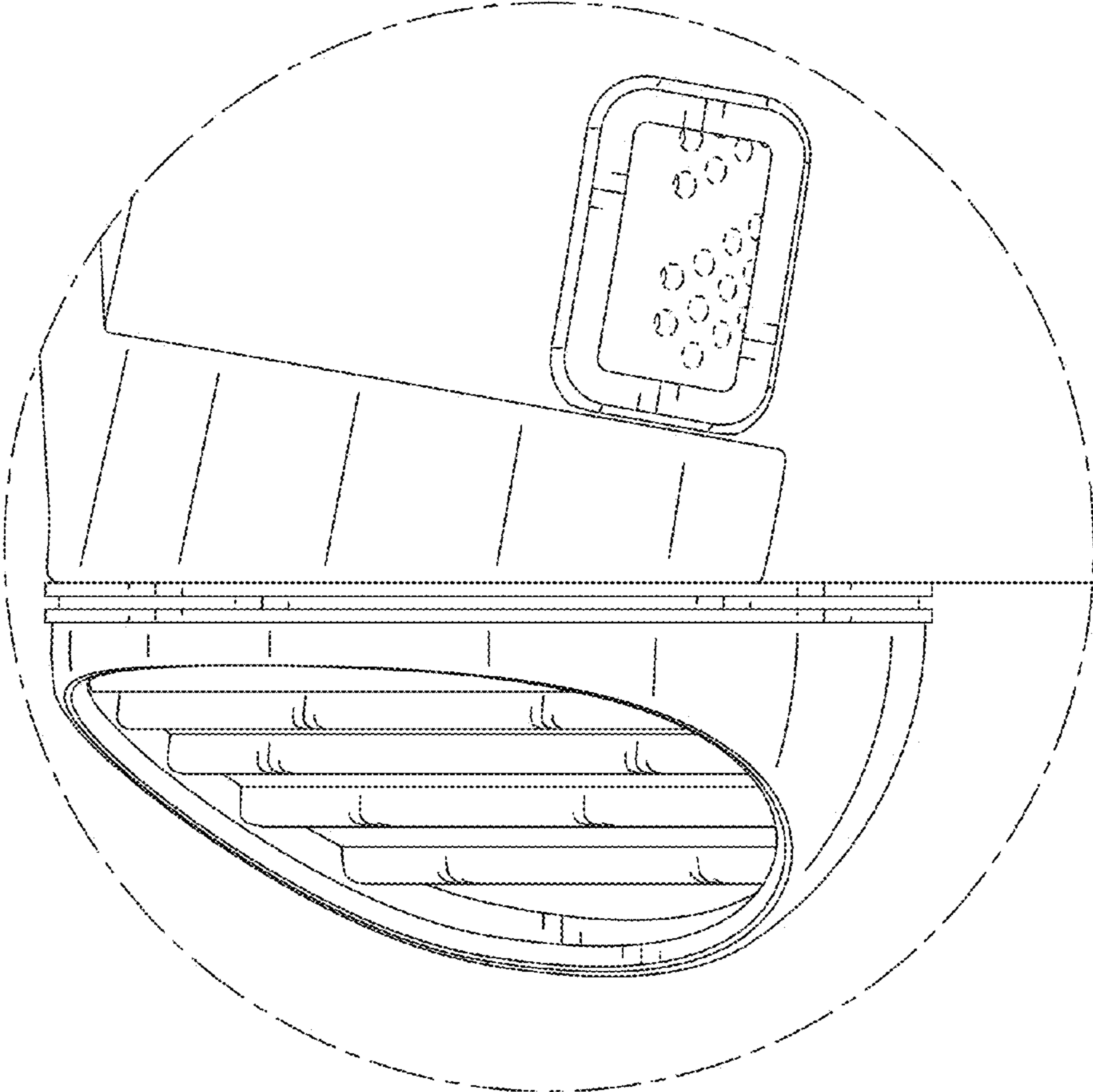


FIG. 11

