



US00D765926S

(12) **United States Design Patent**  
**Bisson**

(10) **Patent No.:** **US D765,926 S**

(45) **Date of Patent:** **\*\* Sep. 6, 2016**

(54) **CARPET CLEANING EXTRACTOR**

(71) Applicant: **Montgomery Bisson**, Huntington Beach, CA (US)

(72) Inventor: **Montgomery Bisson**, Huntington Beach, CA (US)

(\*\*) Term: **14 Years**

(21) Appl. No.: **29/494,563**

(22) Filed: **Jul. 20, 2014**

(51) **LOC (10) Cl.** ..... **15-05**

(52) **U.S. Cl.**  
USPC ..... **D32/22**

(58) **Field of Classification Search**  
USPC ..... D32/21-22, 31  
CPC .... A47L 11/30; A47L 11/34; A47L 11/4044;  
A47L 7/0038; A47L 7/0004; A47L 7/0009;  
A47L 5/362; A47L 9/009; E01H 1/0836  
See application file for complete search history.

(56) **References Cited**

**U.S. PATENT DOCUMENTS**

4,893,375	A *	1/1990	Girman	.....	A47L 11/30 15/320
D337,184	S *	7/1993	Bothun	.....	D32/22
D337,185	S *	7/1993	Wulff	.....	D32/15
D345,034	S *	3/1994	Fitzwater	.....	D32/22
D364,947	S *	12/1995	Kent	.....	D32/21
D381,779	S *	7/1997	Pritchett	.....	D32/22
5,657,509	A *	8/1997	Trautloff	.....	A47L 11/34 15/321
D404,859	S *	1/1999	Dziersk	.....	D32/22
D405,567	S *	2/1999	Kent	.....	D32/22
D422,386	S *	4/2000	Jaros	.....	D32/22
D477,444	S *	7/2003	Bisson	.....	D32/22
D581,111	S *	11/2008	DiPasquale	.....	D32/21
D670,046	S *	10/2012	Theising	.....	D32/21
D676,205	S *	2/2013	Theising	.....	D32/21
D709,254	S *	7/2014	Bisson	.....	D32/21
D712,102	S *	8/2014	Hill	.....	D32/22

D712,605	S *	9/2014	Dammkoehler	.....	D32/21
D714,501	S *	9/2014	Dammkoehler	.....	D32/21
D720,900	S *	1/2015	Hickmott	.....	D32/21
D723,755	S *	3/2015	Barrett	.....	D32/22
2007/0044269	A1 *	3/2007	Day	.....	A47L 11/4086 15/321
2010/0101042	A1 *	4/2010	Williams	.....	A47L 11/30 15/320
2012/0317746	A1 *	12/2012	Hill	.....	A47L 11/302 15/320
2013/0111697	A1 *	5/2013	Betcher	.....	A47L 9/00 15/347
2015/0135473	A1 *	5/2015	Simon	.....	A47L 11/34 15/320

\* cited by examiner

*Primary Examiner* — Ruth McInroy

(57) **CLAIM**

The ornamental design for a carpet cleaning extractor, as shown and described.

**DESCRIPTION**

FIG. 1 is a perspective view of a carpet cleaning extractor showing my new design;

FIG. 2 is a front view thereof;

FIG. 3 is a left side view thereof, the right side being a mirror image;

FIG. 4 is a top view thereof;

FIG. 5 is a perspective view thereof, showing the hose and wand attachment clips in an extended position;

FIG. 6 is a front elevation view of FIG. 5;

FIG. 7 is a left side view of FIG. 5, the right side being a mirror image;

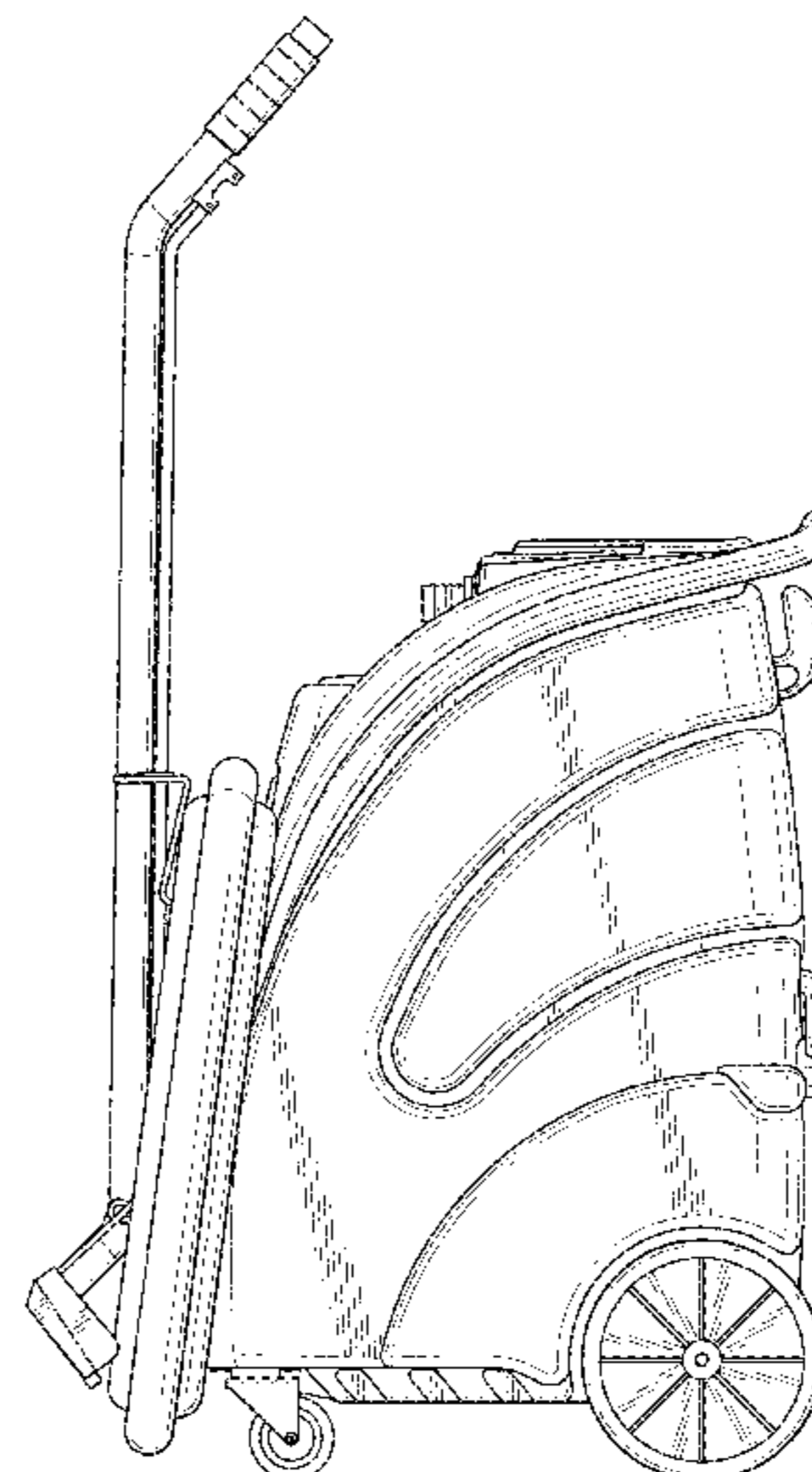
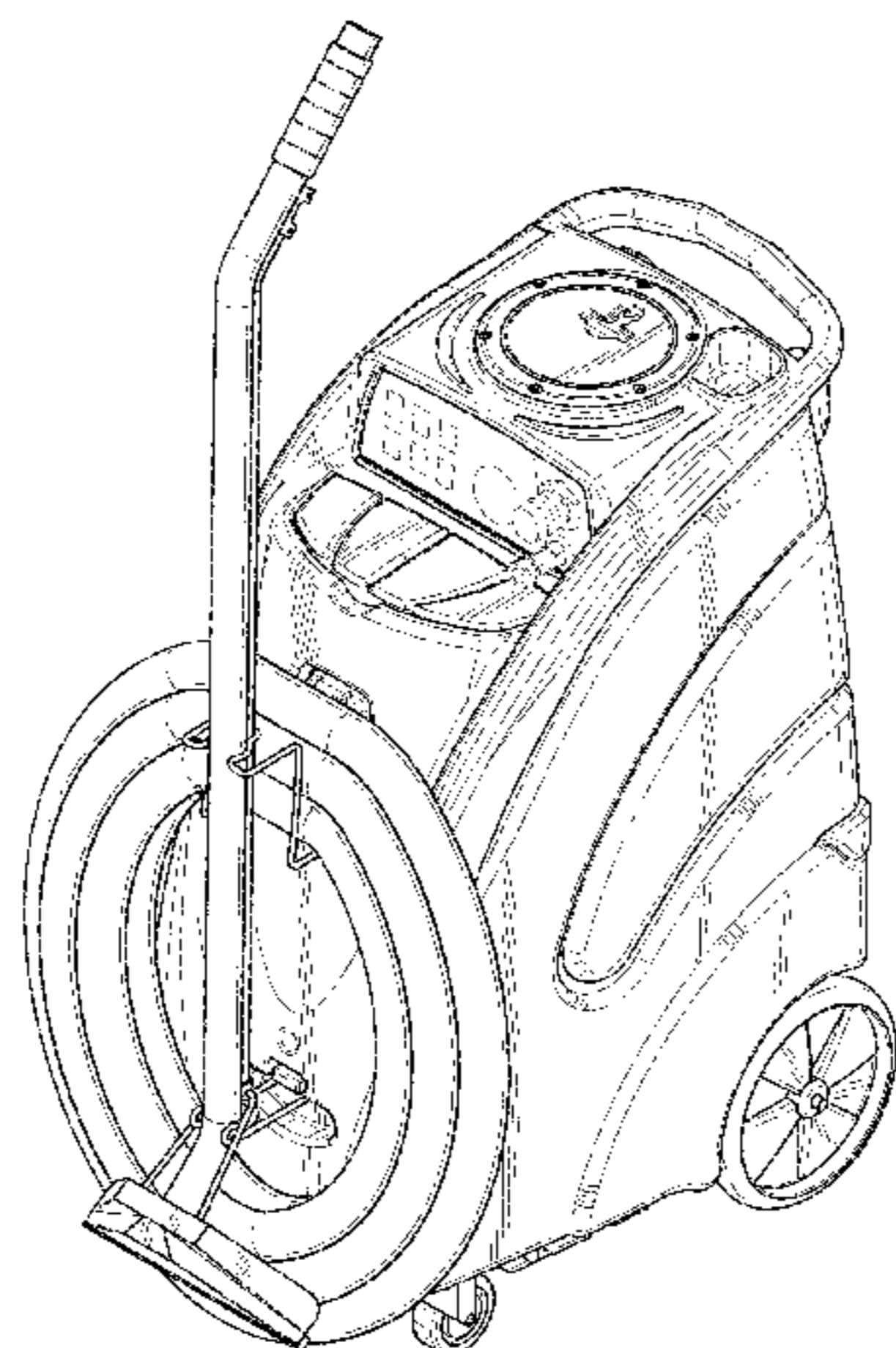
FIG. 8 is a top view of FIG. 5;

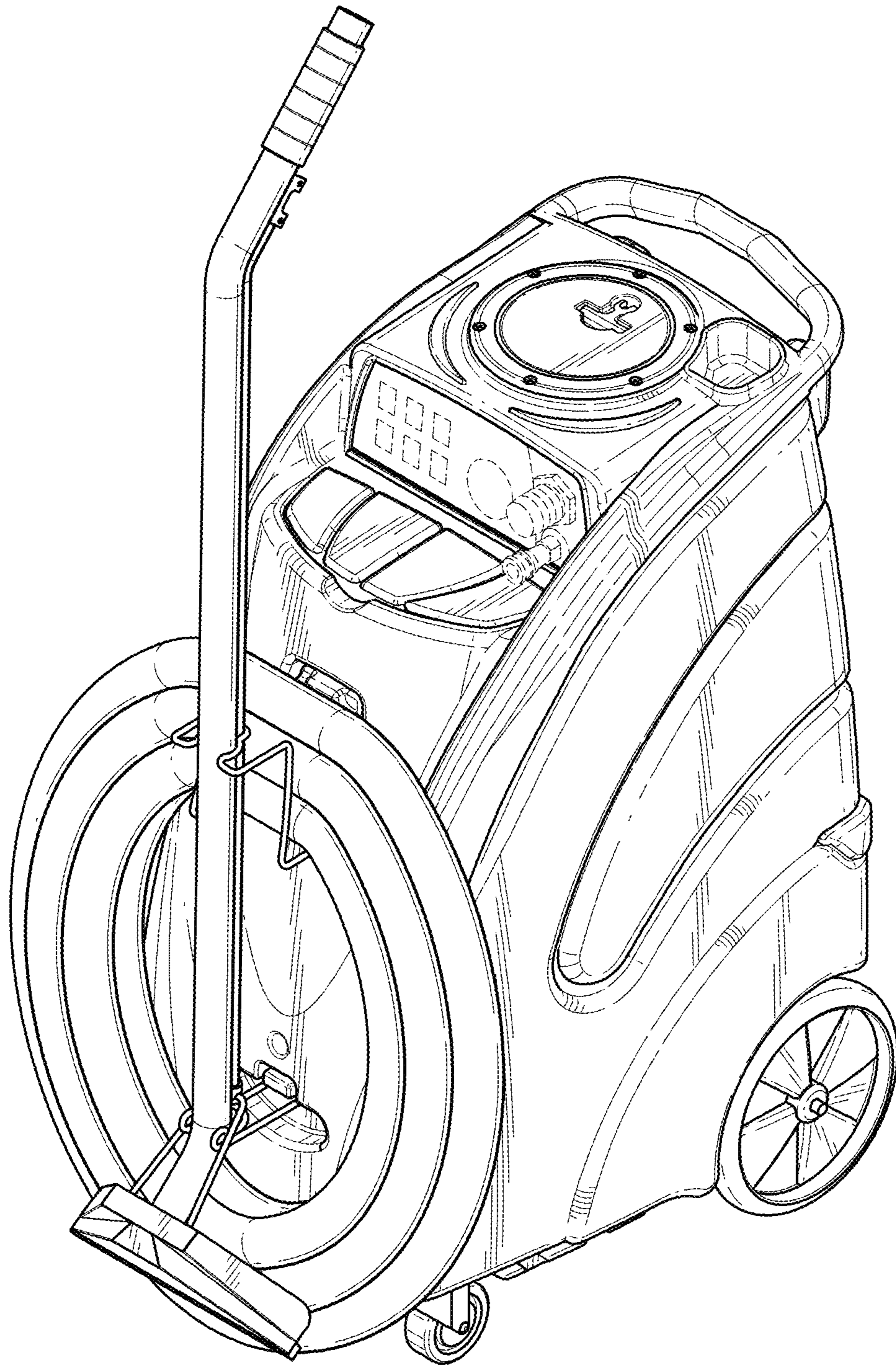
FIG. 9 is a perspective view thereof, showing the hose and wand attachment clips in a retracted position; and,

FIG. 10 is a perspective view thereof, with the hose removed.

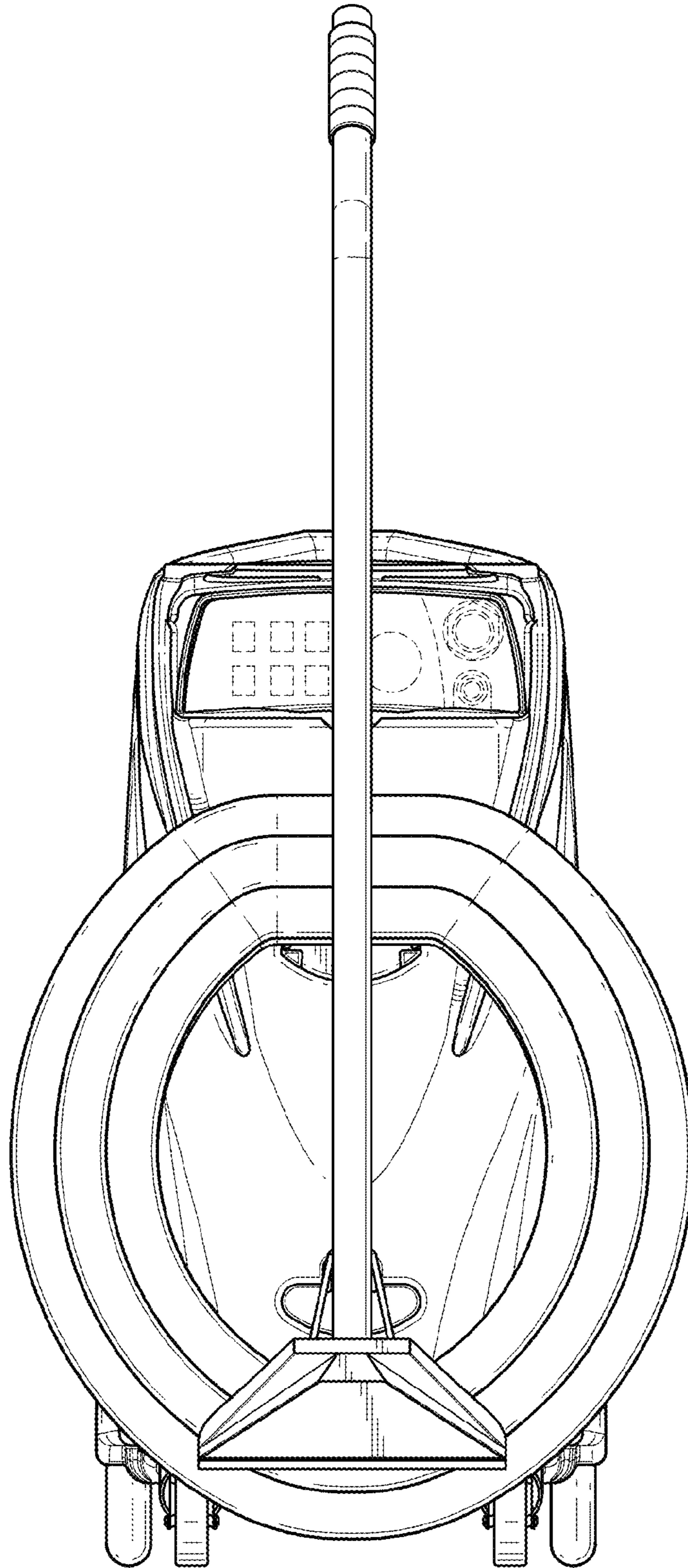
The wand and hose are removed from FIGS. 5-10 for clarity of illustration.

**1 Claim, 10 Drawing Sheets**

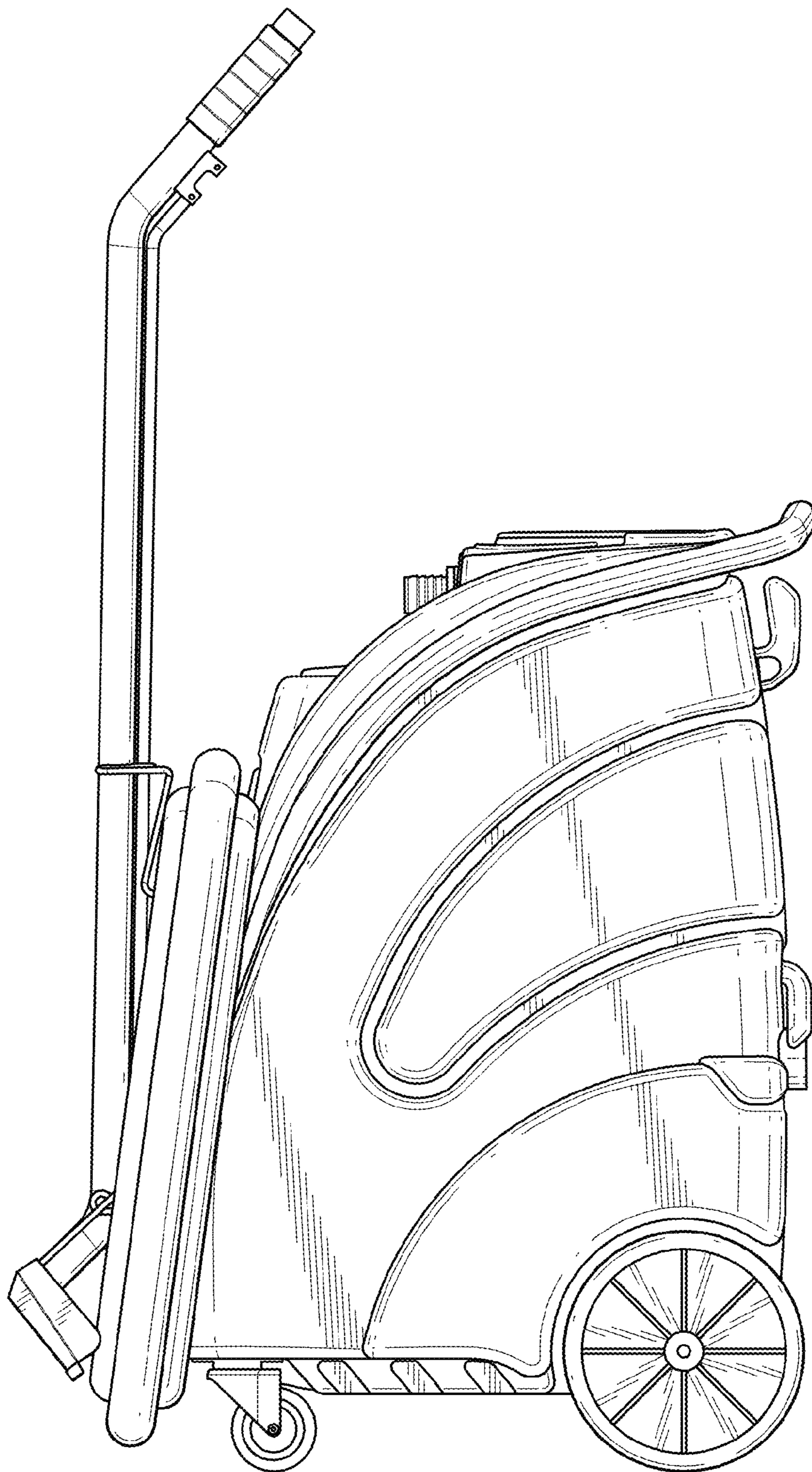




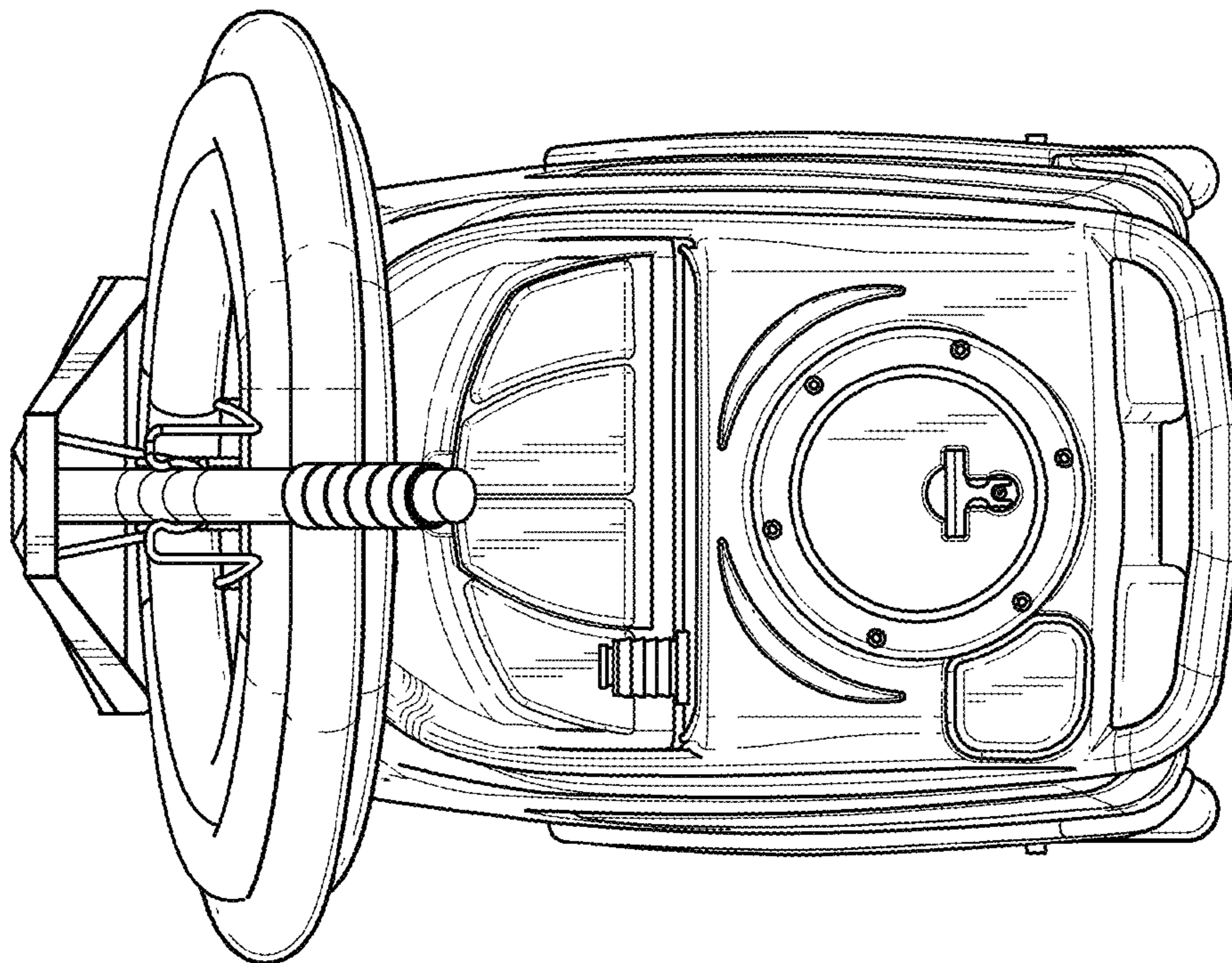
**FIG. 1**



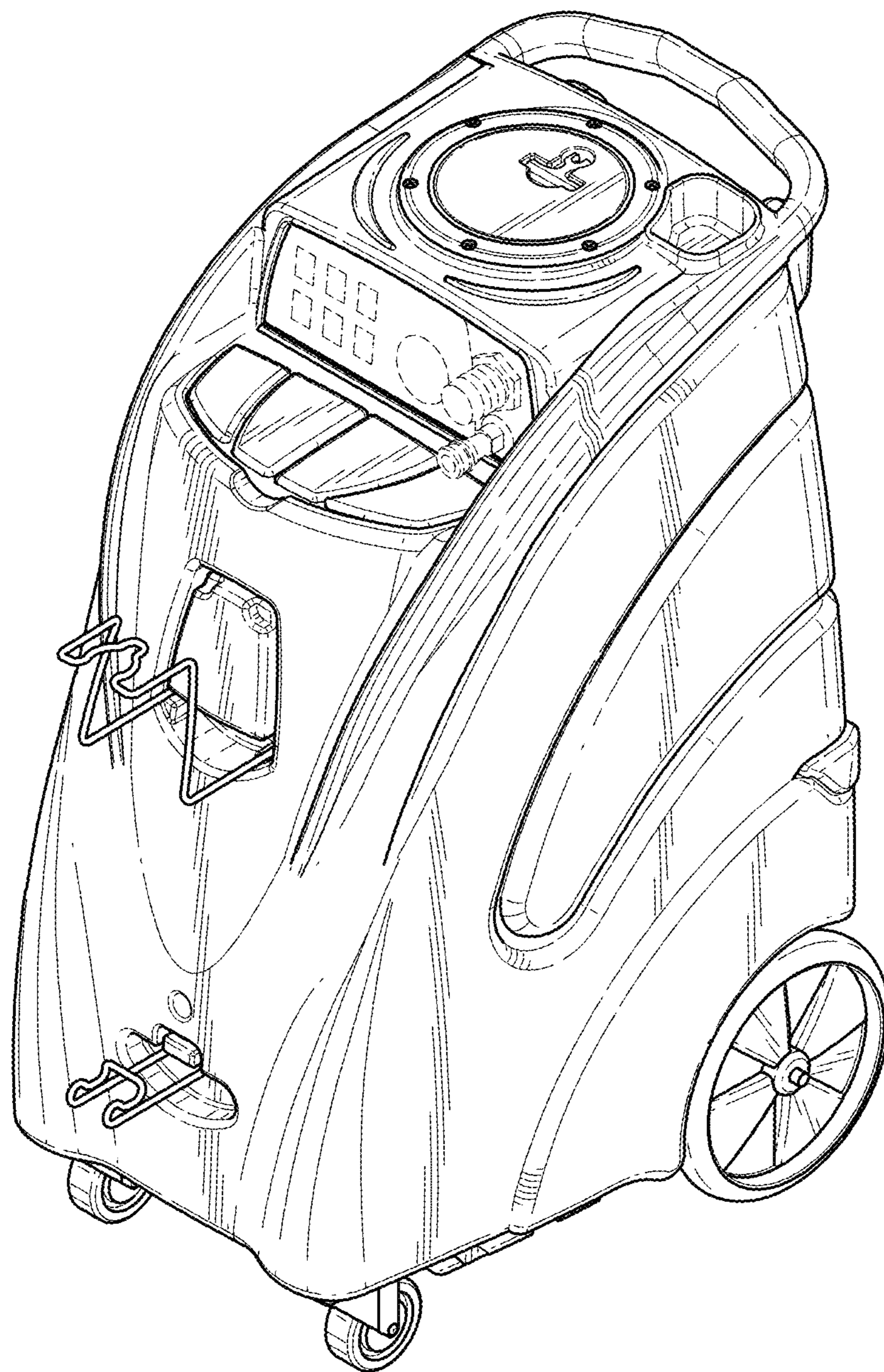
**FIG. 2**



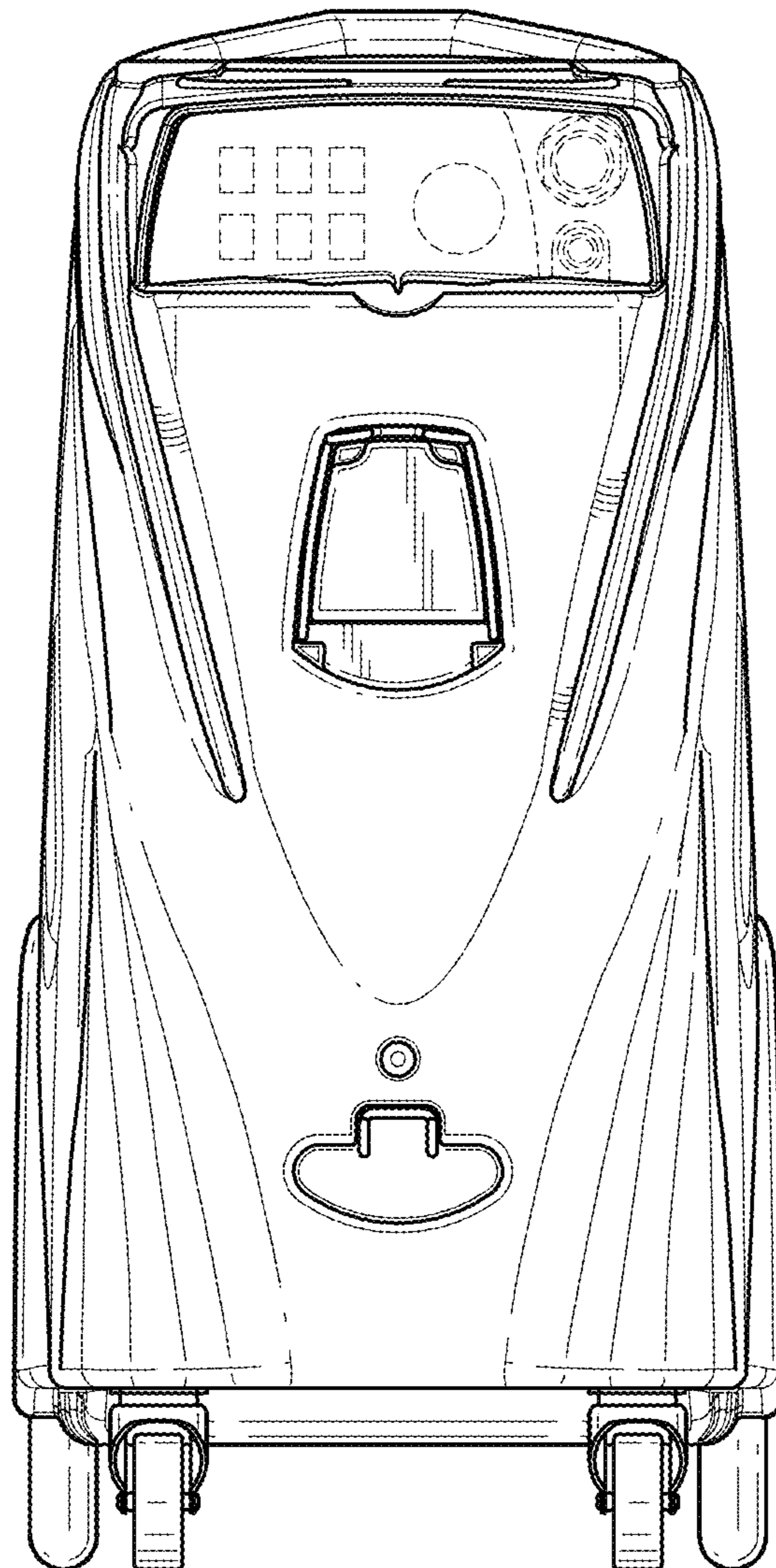
**FIG. 3**



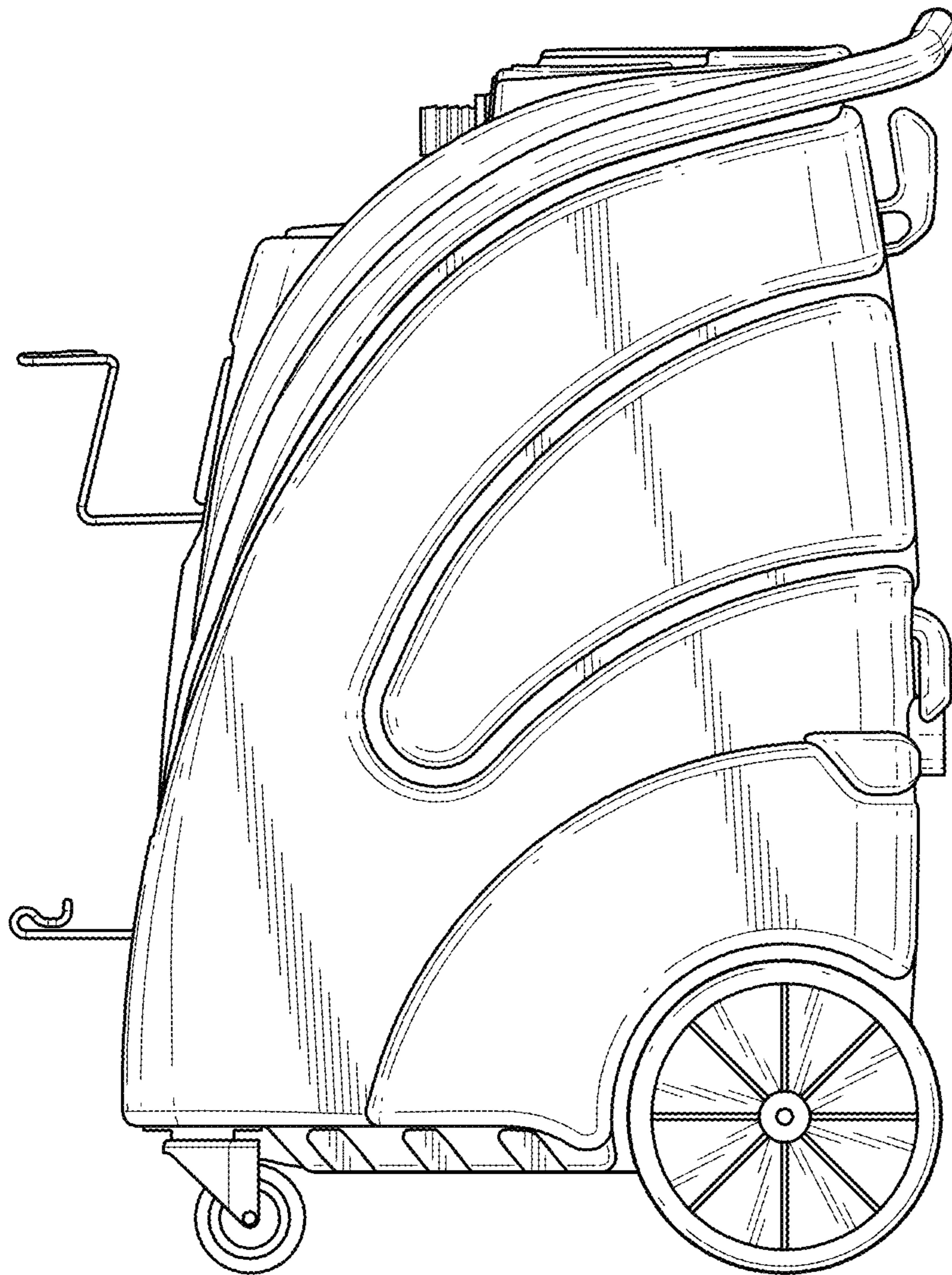
**FIG. 4**



**FIG. 5**

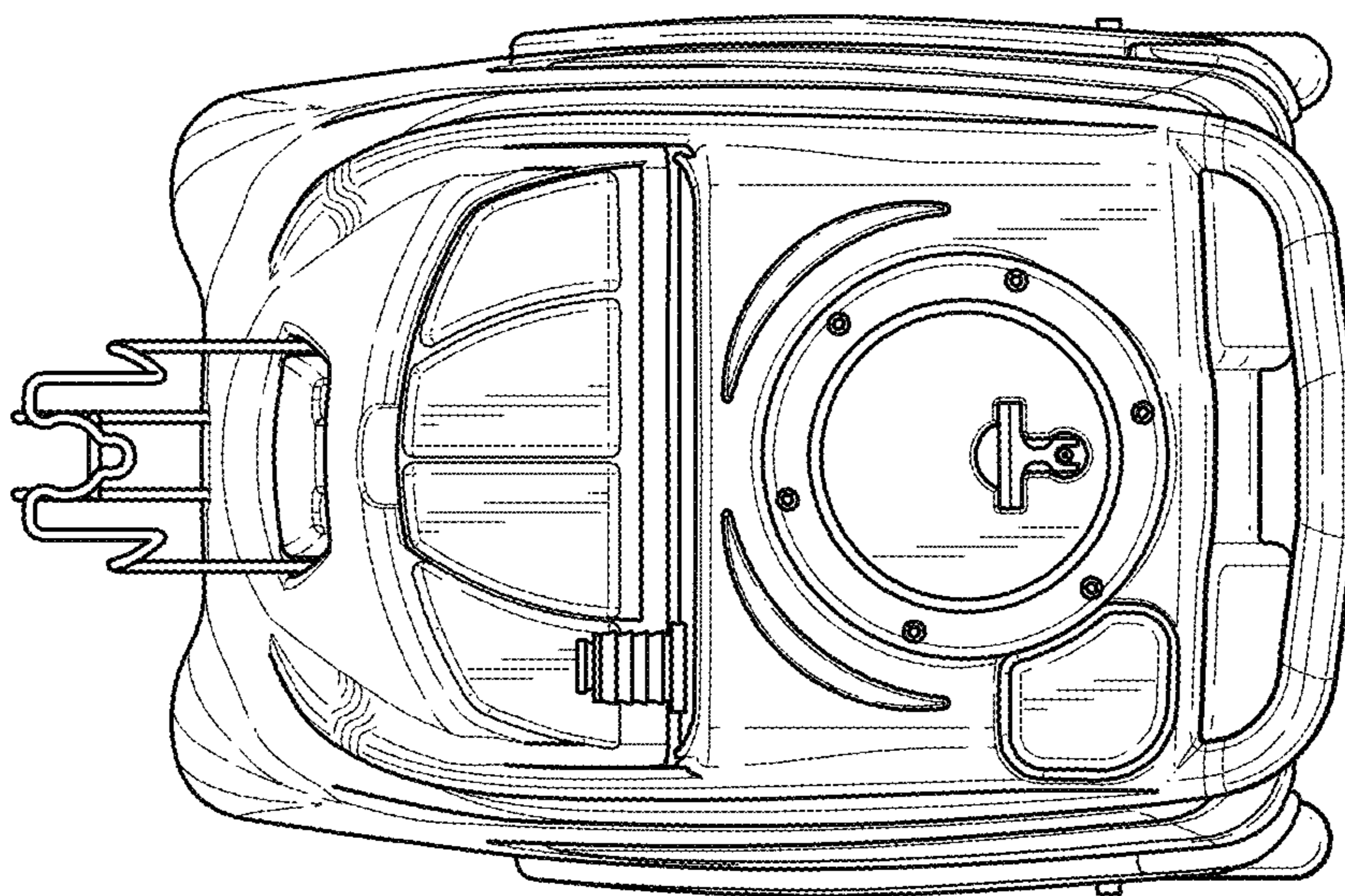


**FIG. 6**

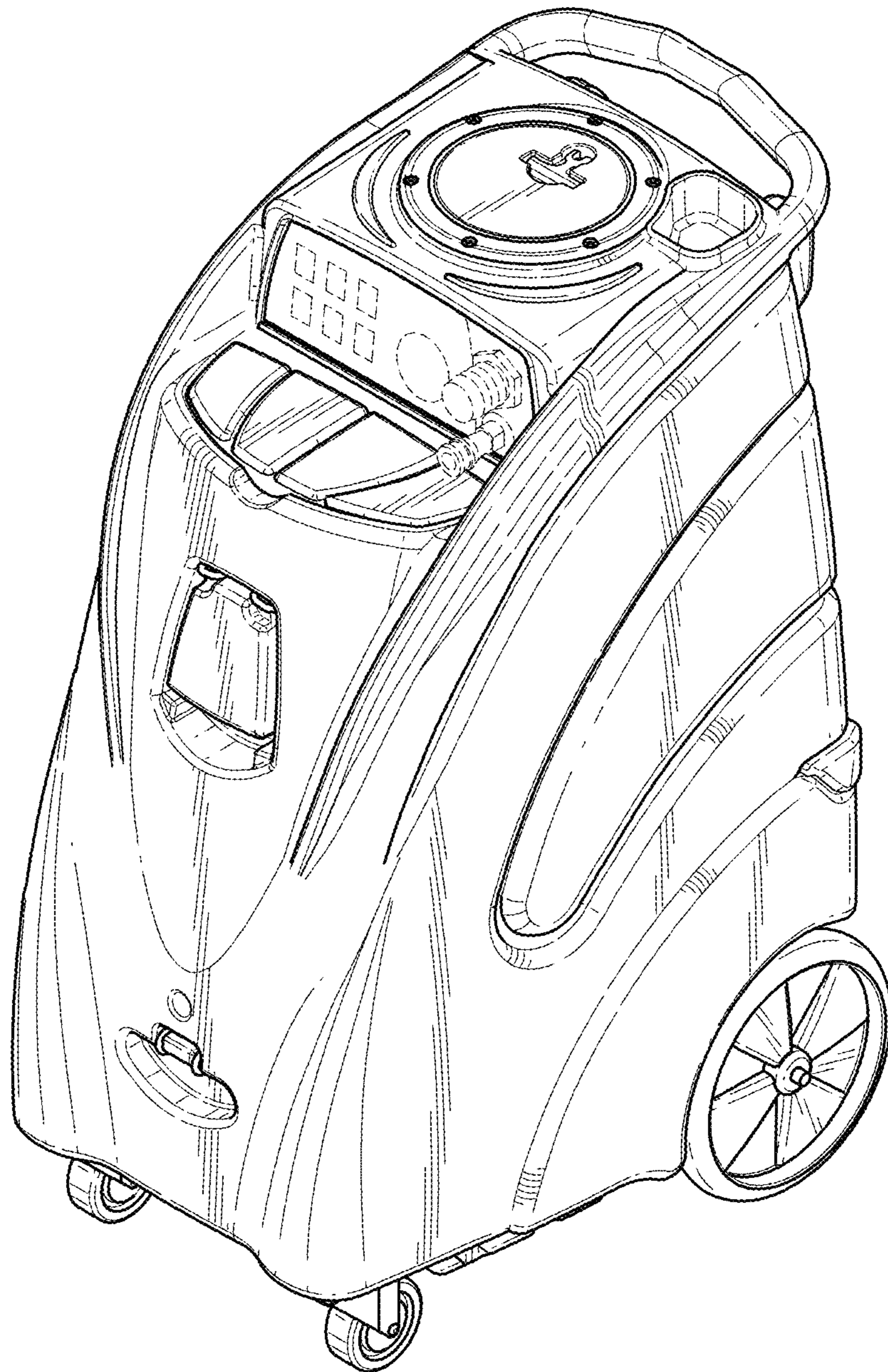


**FIG. 7**

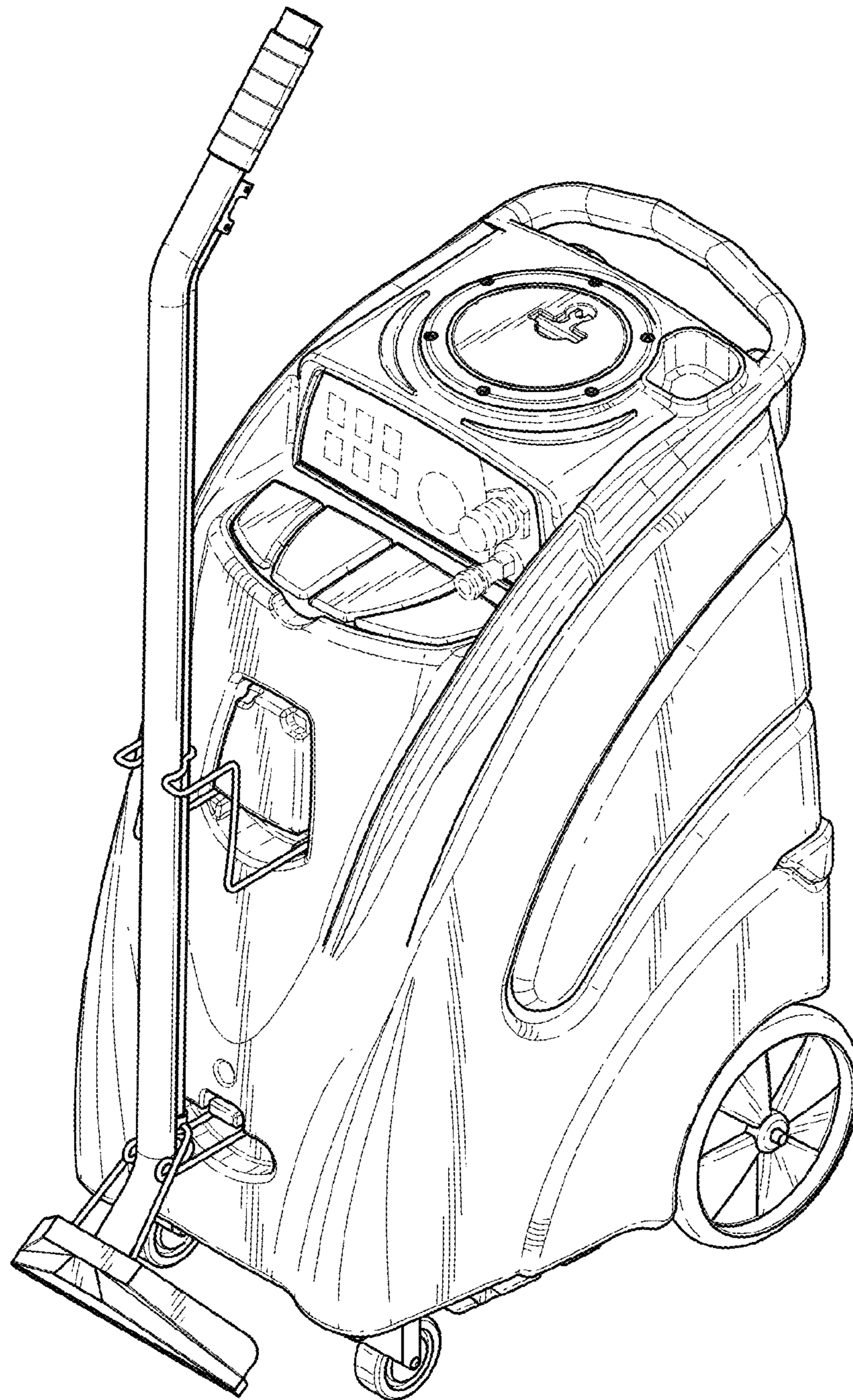




**FIG. 8**



**FIG. 9**



**FIG. 10**