



US00D765924S

(12) **United States Design Patent** (10) **Patent No.:** **US D765,924 S**
Roberson et al. (45) **Date of Patent:** **** Sep. 6, 2016**

- (54) **DISHWASHER HANDLE STRIP**
- (71) Applicant: **BSH Home Appliances Corporation**, Irvine, CA (US)
- (72) Inventors: **Lindsay Roberson**, Durham, NC (US); **Thomas Ott**, Neubiberg (DE)
- (73) Assignee: **BSH Home Appliances Corporation**, Irvine, CA (US)
- (**) Term: **15 Years**
- (21) Appl. No.: **29/550,901**
- (22) Filed: **Jan. 8, 2016**

Related U.S. Application Data

- (62) Division of application No. 29/540,175, filed on Sep. 22, 2015, now Pat. No. Des. 753,887, which is a division of application No. 29/534,268, filed on Jul. 28, 2015, now Pat. No. Des. 745,751, which is a division of application No. 29/524,472, filed on Apr. 21, 2015, now Pat. No. Des. 741,031, which is a division of application No. 29/483,268, filed on Feb. 27, 2014, now Pat. No. Des. 732,761, which is a division of application No. 29/468,763, filed on Oct. 3, 2013, now Pat. No. Des. 706,997, which is a division of application No. 29/460,929, filed on Jul. 17, 2013, now Pat. No. Des. 698,506, which is a division of application No. 29/451,489, filed on Apr. 3, 2013, now Pat. No. Des. 692,628, which is a division of application No. 29/424,165, filed on Jun. 8, 2012, now Pat. No. Des. 684,734, which is a division of application No. 29/397,798, filed on Jul. 21, 2011, now Pat. No. Des. 665,956.
- (51) **LOC (10) Cl.** **15-05**
- (52) **U.S. Cl.**
USPC **D32/3**

- (58) **Field of Classification Search**
USPC D32/1-3, 25, 28; D7/340, 348-350, D7/405; 312/31, 109, 228; 134/56 D, 57 D, 134/58 D, 58 DL, 201
CPC A47L 15/4265; A47L 15/4259; A47L 15/4257; A47L 15/4293; F25D 23/02; F25D 23/021
See application file for complete search history.

(56) **References Cited**

U.S. PATENT DOCUMENTS

D191,224 S *	8/1961	Fay	D32/2
5,365,959 A *	11/1994	Favaro	A47L 15/4293 134/113
D493,582 S *	7/2004	Ott	D32/3
D493,583 S *	7/2004	Kaczmarek	D32/3
D501,963 S *	2/2005	Kaczmarek	D32/3
D519,689 S *	4/2006	Ott	D32/3
D544,657 S *	6/2007	Jung	D32/2
D627,938 S *	11/2010	Kim	D32/2
D658,828 S *	5/2012	Kim	D32/2
D665,956 S *	8/2012	Eng	D32/2

(Continued)

Primary Examiner — Robert Delehanty
(74) *Attorney, Agent, or Firm* — Michael Tschupp; Andre Pallapies

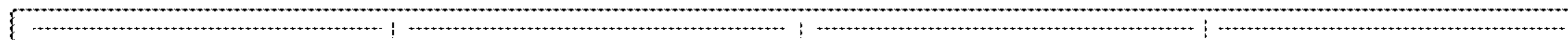
(57) **CLAIM**

The ornamental design for a dishwasher handle strip, as shown and described.

DESCRIPTION

FIG. 1 is a front view of a dishwasher handle strip as according to our new ornamental design;
FIG. 2 is a bottom view with the top view being a mirror image thereof;
FIG. 3 is an enlarged left side view thereof, with the right side view thereof being a mirror image thereof;
FIG. 4 is perspective view thereof; and,
FIG. 5 is perspective view thereof from another perspective.
The broken lines shown in the drawing form no part of the claimed design.

1 Claim, 1 Drawing Sheet



(56)

References Cited

U.S. PATENT DOCUMENTS

D665,957 S *	8/2012	Eng	D32/2	D684,734 S *	6/2013	Eng	D32/3
D668,402 S *	10/2012	Eng	D32/3	D684,735 S *	6/2013	Eng	D32/3
D668,403 S *	10/2012	Eng	D32/3	D684,736 S *	6/2013	Eng	D32/3
D668,404 S *	10/2012	Eng	D32/3	D685,149 S *	6/2013	Eng	D32/3
D670,457 S *	11/2012	Eng	D32/3	D689,248 S *	9/2013	Eng	D32/3
D672,101 S *	12/2012	Eng	D32/3	D692,628 S *	10/2013	Eng	D32/2
D673,742 S *	1/2013	Eng	D32/2	D692,629 S *	10/2013	Eng	D32/3
					D693,069 S *	11/2013	Grobleben	D32/3
					D693,070 S *	11/2013	Eng	D32/3

* cited by examiner



Fig. 1

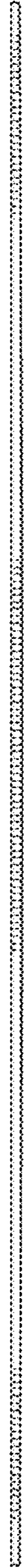


Fig. 2



Fig. 3

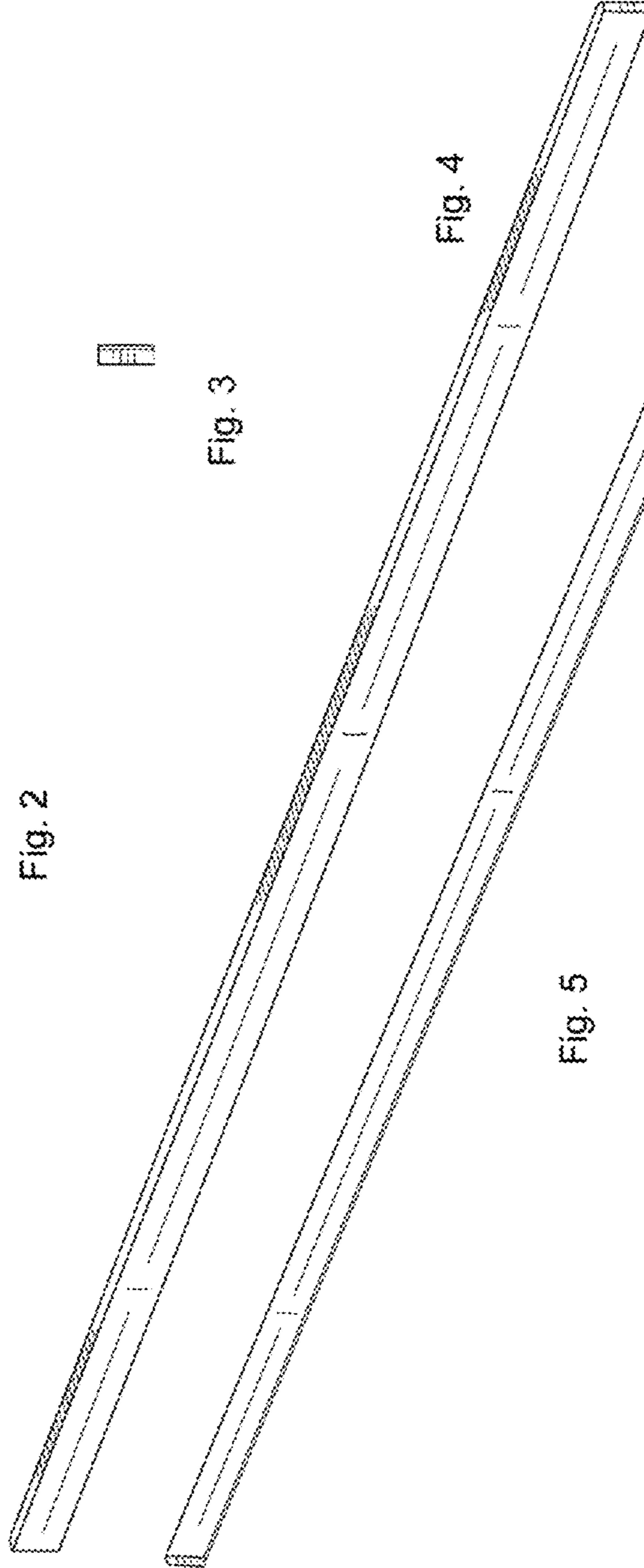


Fig. 4

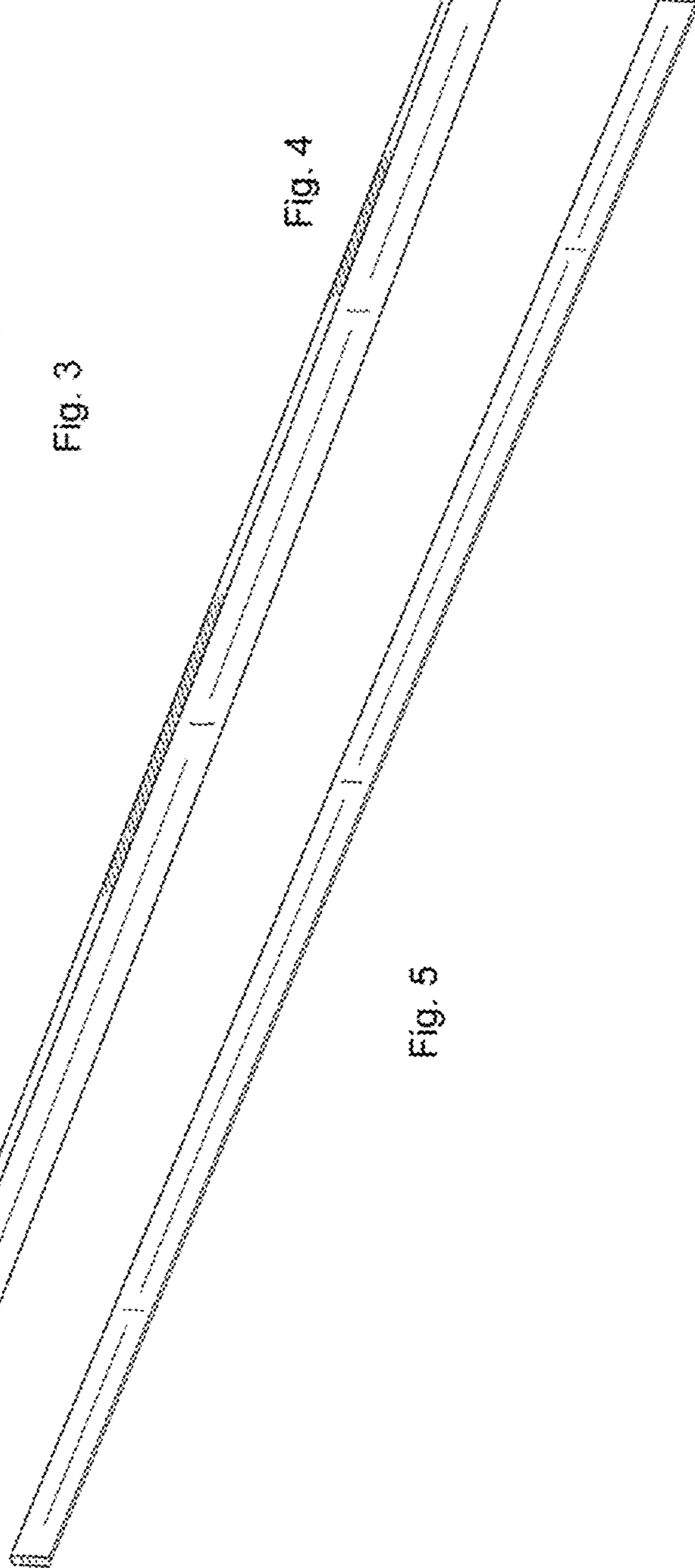


Fig. 5