



US00D765923S

(12) **United States Design Patent** (10) **Patent No.:** **US D765,923 S**  
**Roberson et al.** (45) **Date of Patent:** **\*\* Sep. 6, 2016**

(54) **DISHWASHER DOOR**

(71) Applicant: **BSH Home Appliances Corporation**, Irvine, CA (US)

(72) Inventors: **Lindsay Roberson**, Durham, NC (US); **Thomas Ott**, Neubiberg (DE)

(73) Assignee: **BSH Home Appliances Corporation**, Irvine, CA (US)

(\*\*) Term: **15 Years**

(21) Appl. No.: **29/550,770**

(22) Filed: **Jan. 7, 2016**

**Related U.S. Application Data**

(62) Division of application No. 29/541,578, filed on Oct. 6, 2015, now Pat. No. Des. 756,046, which is a division of application No. 29/535,955, filed on Aug. 12, 2015, now Pat. No. Des. 748,353, which is a division of application No. 29/524,469, filed on Apr. 21, 2015, now Pat. No. Des. 743,121, which is a division of application No. 29/478,582, filed on Jan. 7, 2014, now Pat. No. Des. 732,755, which is a division of application No. 29/451,788, filed on Apr. 9, 2013, now Pat. No. Des. 702,898, which is a division of application No. 29/425,994, filed on Jun. 29, 2012, now Pat. No. Des. 684,736, which is a division of application No. 29/403,661, filed on Oct. 10, 2011, now Pat. No. Des. 668,403.

(51) **LOC (10) Cl.** ..... **15-05**

(52) **U.S. Cl.**  
USPC ..... **D32/3**

(58) **Field of Classification Search**  
USPC ..... D32/1-3, 25, 28; D7/340, 348-350, D7/405; 312/31, 109, 228; 134/56 D, 57 D, 134/58 D, 58 DL, 201  
CPC ..... A47L 15/4265; A47L 15/4259; A47L 15/4257; A47L 15/4293; F25D 23/02; F25D 23/021

See application file for complete search history.

(56) **References Cited**

**U.S. PATENT DOCUMENTS**

5,365,959	A *	11/1994	Favaro	.....	A47L 15/4293
					134/113
D385,070	S *	10/1997	Hughes	.....	D32/3
D424,257	S *	5/2000	Umeda	.....	D32/2
D539,992	S *	4/2007	Yamamoto	.....	D32/2
7,216,944	B2 *	5/2007	Oyler	.....	A47L 15/4265
					312/109
D544,657	S *	6/2007	Jung	.....	D32/2

(Continued)

*Primary Examiner* — Robert Delehanty

(74) *Attorney, Agent, or Firm* — Michael Tschupp; Andre Pallapies

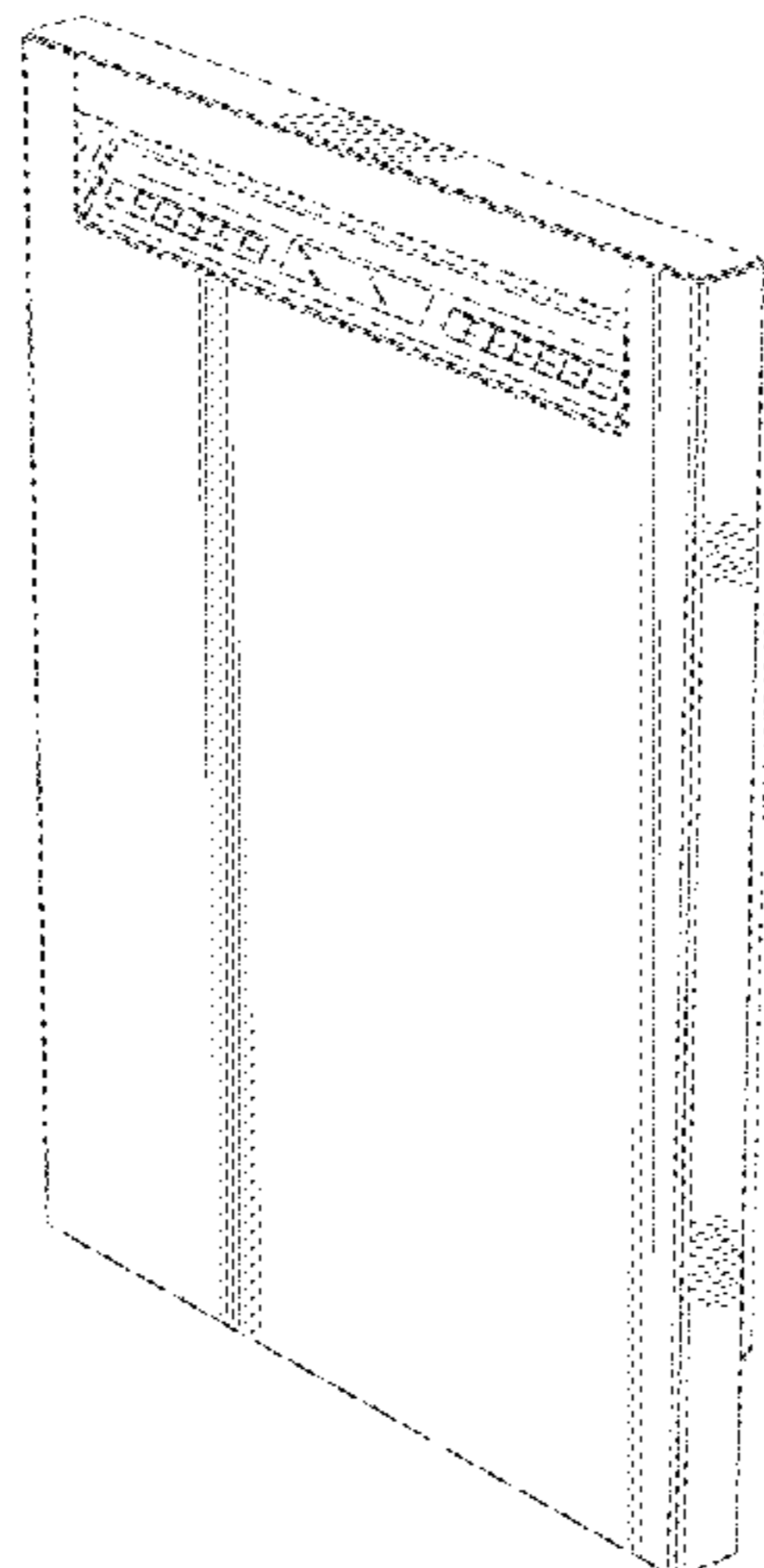
(57) **CLAIM**

The ornamental design for a dishwasher door, as shown and described.

**DESCRIPTION**

FIG. 1 is a front perspective view, from the top, of a dishwasher door according to our new ornamental design; FIG. 2 is a front view thereof; FIG. 3 is a cross sectional view along lines 37-37 of FIG. 2; and FIG. 4 is a cross sectional view along lines 38-38 of FIG. 2. FIG. 5 is a top view thereof; FIG. 6 is a left side view thereof, with the right hand side view thereof being a mirror image thereof; and, FIG. 7 is a front perspective view thereof from the bottom. The broken lines of the dishwasher, dishwasher compartment and/or components thereof show surrounding structure or environment and do not form part of the claimed design. The bottom and rear parts of the dishwasher door, and the bottom, rear and top of the dishwasher compartment are unornamented and form no part of the claimed design.

**1 Claim, 5 Drawing Sheets**



(56)

**References Cited**

U.S. PATENT DOCUMENTS

D577,869 S \* 9/2008 Tartan ..... D32/2  
D613,467 S \* 4/2010 Park ..... D32/6  
D627,937 S \* 11/2010 Kim ..... D32/2  
D665,957 S \* 8/2012 Eng ..... D32/2  
D667,596 S \* 9/2012 Berberet ..... D32/3

D668,402 S \* 10/2012 Eng ..... D32/3  
D668,403 S \* 10/2012 Eng ..... D32/3  
D668,404 S \* 10/2012 Eng ..... D32/3  
D670,457 S \* 11/2012 Eng ..... D32/3  
D673,742 S \* 1/2013 Eng ..... D32/2  
2003/0030288 A1 \* 2/2003 Miller ..... A47L 15/4259  
292/303

\* cited by examiner

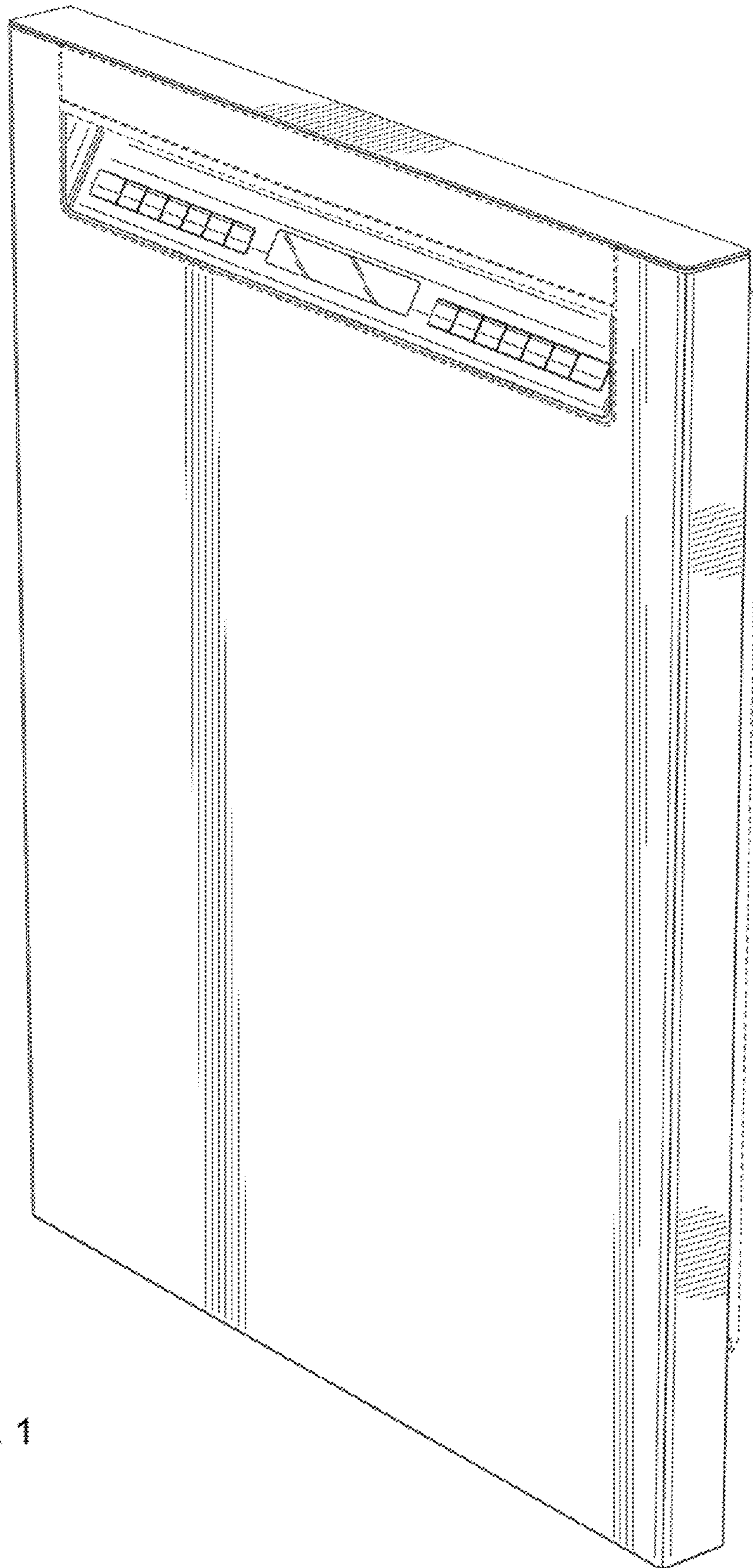


Fig. 1

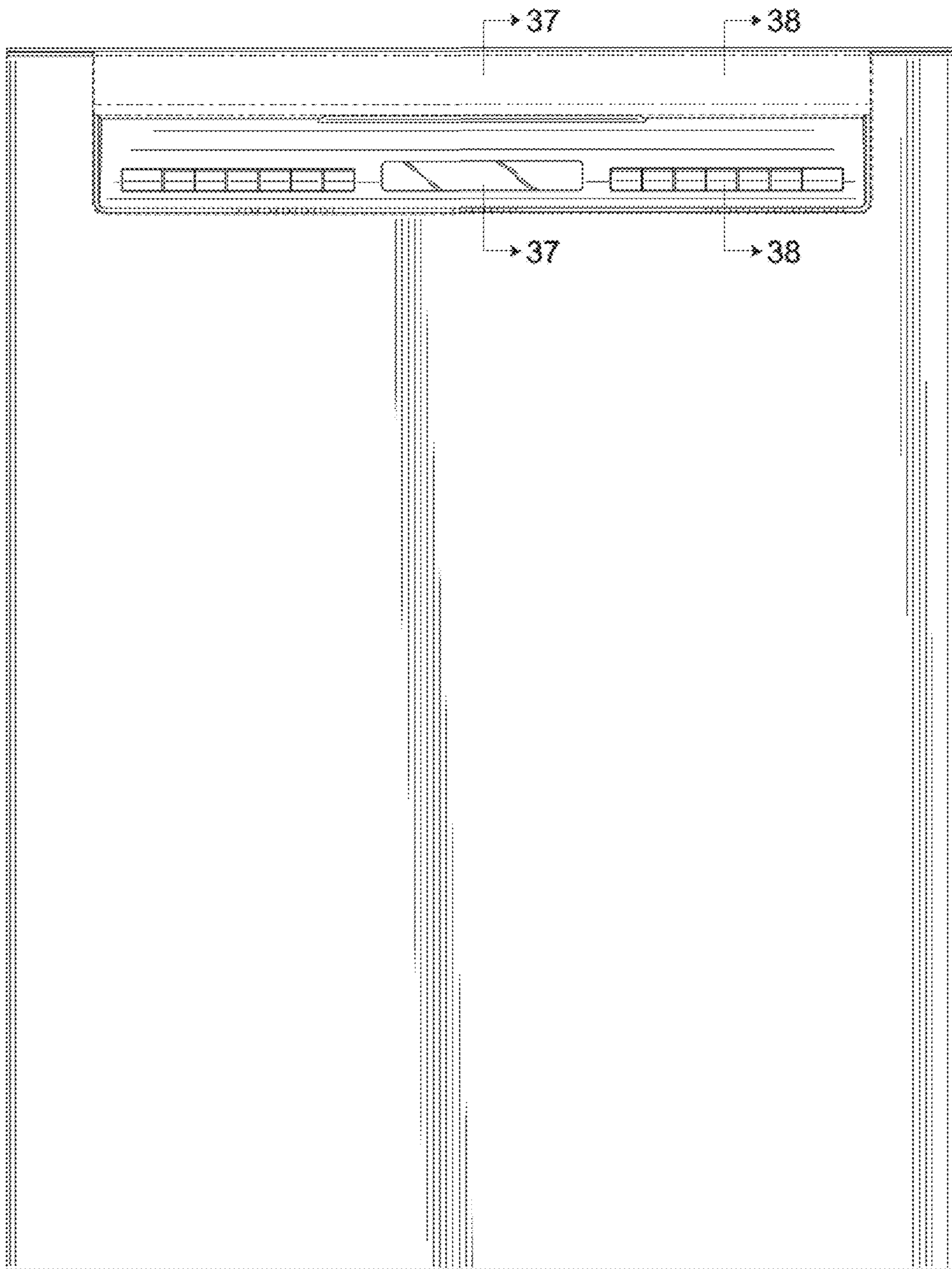


Fig. 2

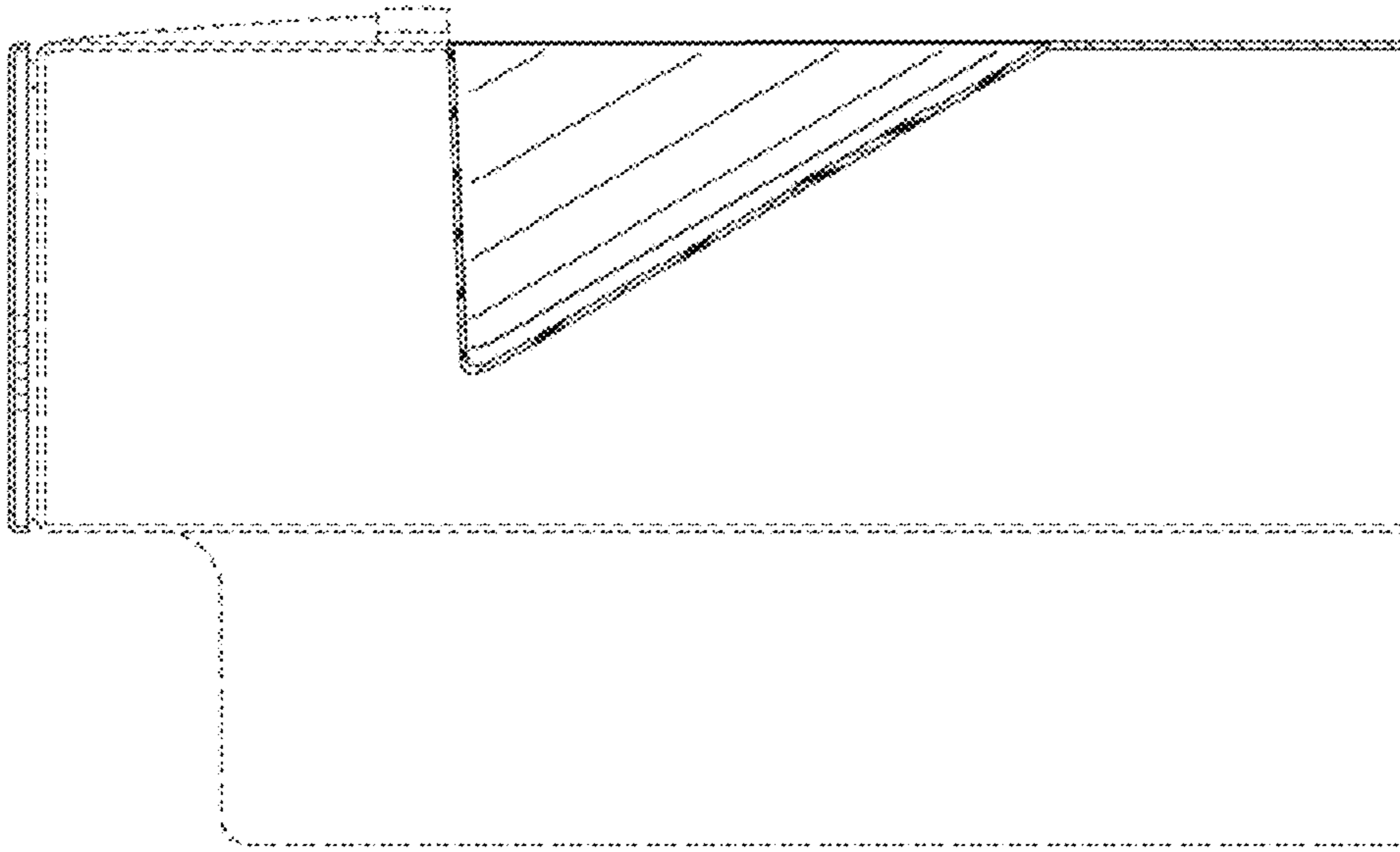


Fig. 4

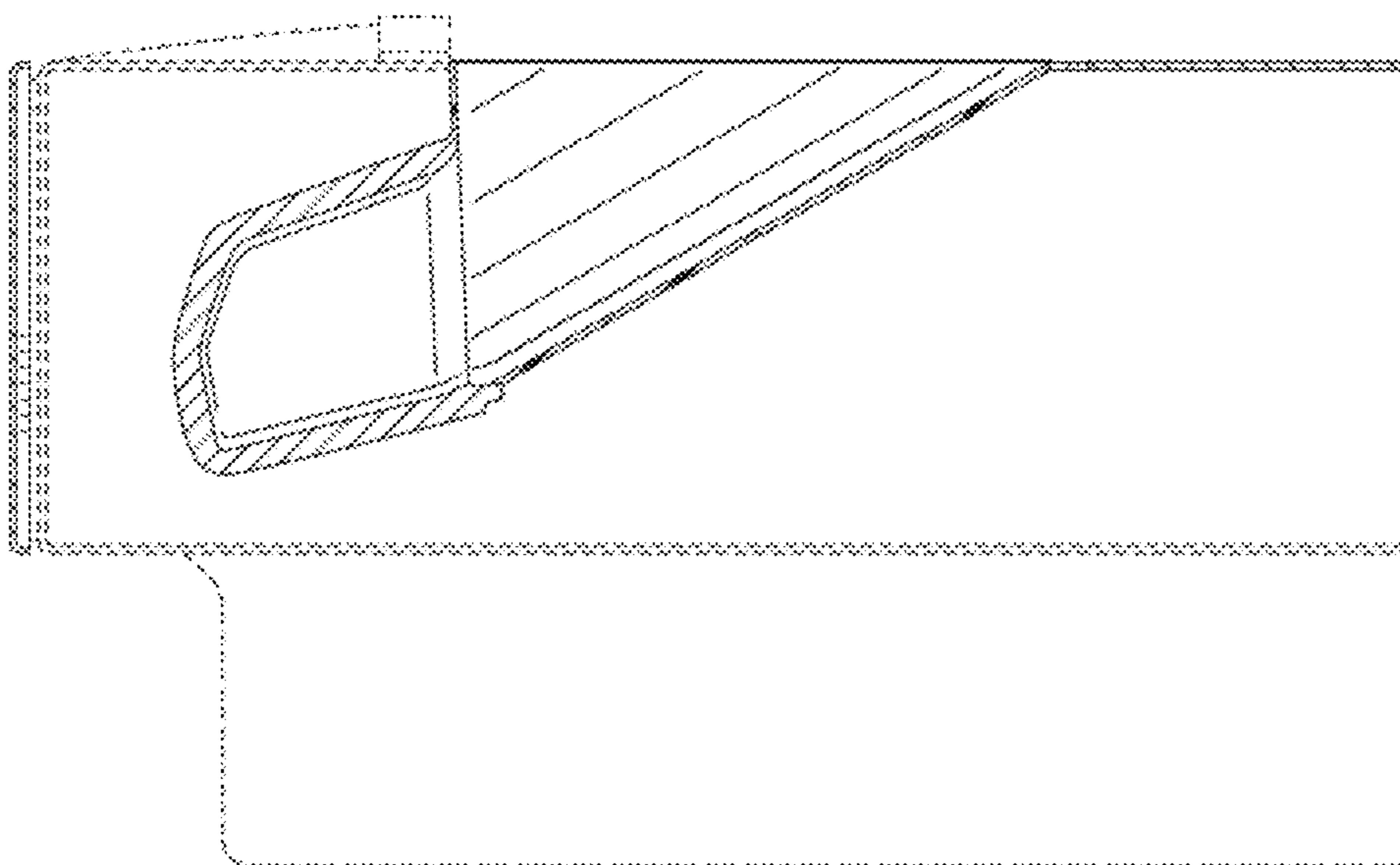


Fig. 3

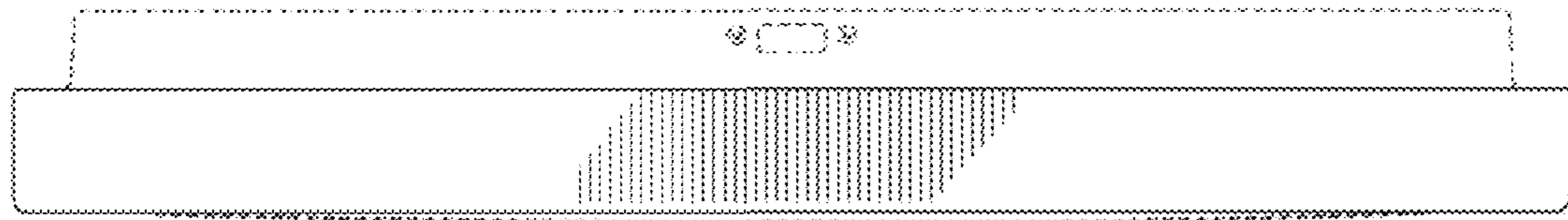


Fig. 5

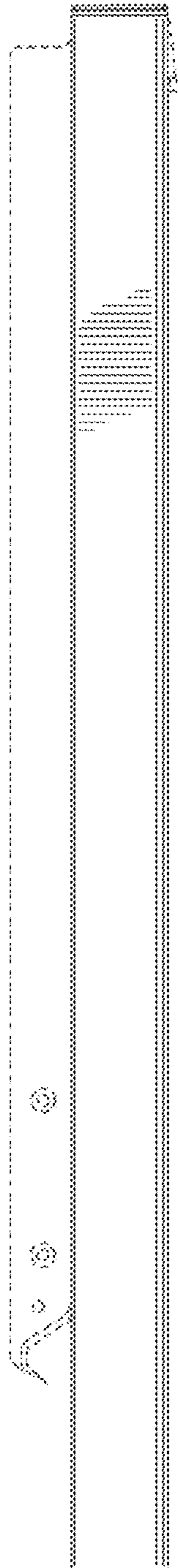


Fig. 6

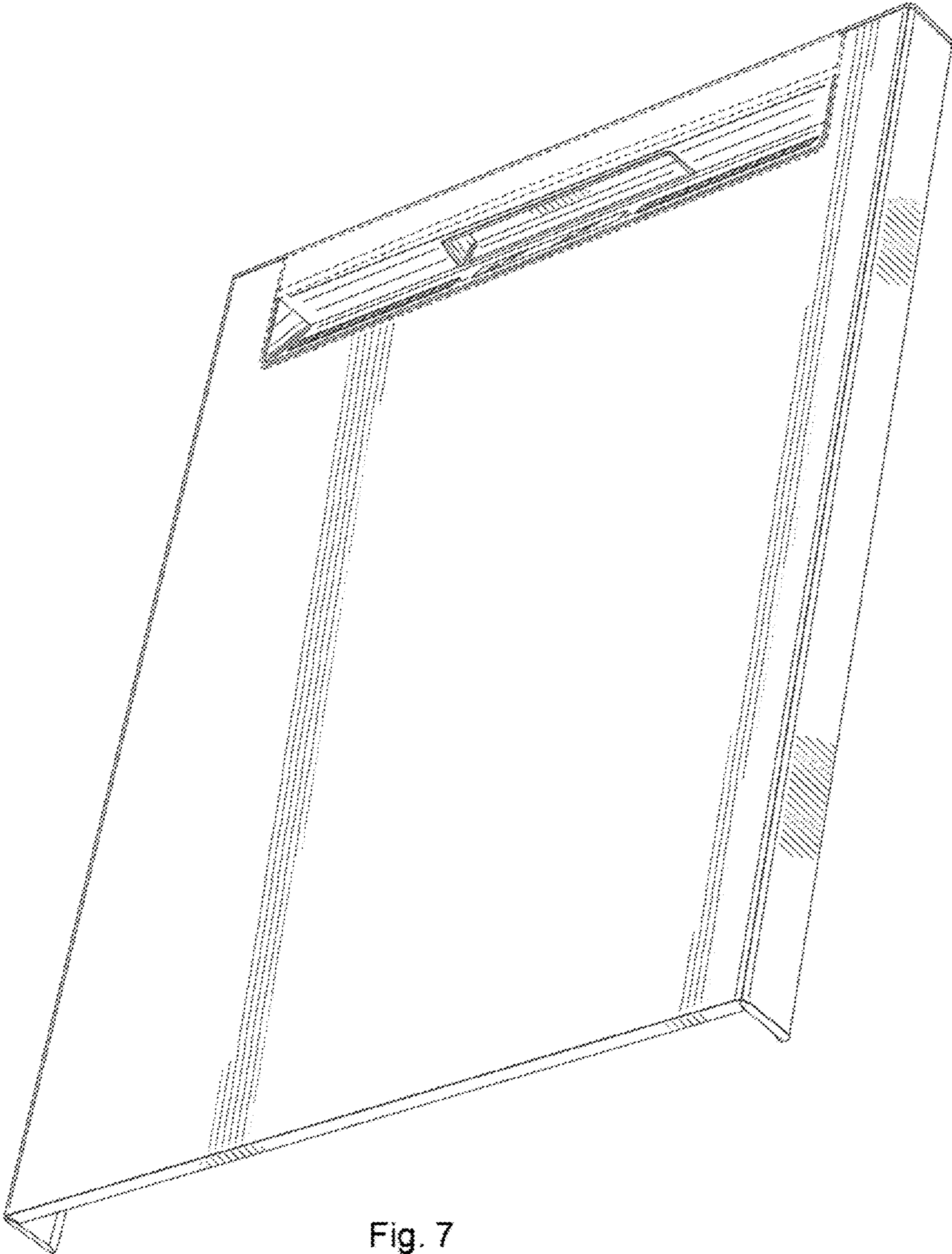


Fig. 7