



US00D765921S

(12) **United States Design Patent**
Takaoka

(10) **Patent No.:** **US D765,921 S**

(45) **Date of Patent:** **** Sep. 6, 2016**

(54) **COMBINED BIRD HOUSE AND BIRD FEEDER**

(71) Applicant: **TAKASHO CO., LTD.**, Kainan-shi, Wakayama-ken (JP)

(72) Inventor: **Nobuo Takaoka**, Kainan (JP)

(73) Assignee: **TAKASHO CO., LTD.**, Kainan-Shi, Wakayama-Ken (JP)

(**) Term: **14 Years**

(21) Appl. No.: **29/502,075**

(22) Filed: **Sep. 11, 2014**

(51) **LOC (10) Cl.** **30-02**

(52) **U.S. Cl.**
USPC **D30/110; D30/126**

(58) **Field of Classification Search**
USPC D30/108, 110–112, 114, 116–117, 119, D30/124–128, 199; 119/6.5, 6.8, 174, 246, 119/269, 300–311, 319, 416–419, 421, 119/428–435, 452, 459, 467, 474, 48, 487, 119/494–495, 498–499, 500–503, 516, 119/523; D21/507, 511; D25/1, 7, 22, 32
CPC A01K 1/03; A01K 1/033; A01K 1/031; A01K 1/035; A01K 1/0245; A01K 1/0356; A01K 31/18; A01K 63/003; A01K 41/00; A01K 41/023; A01K 67/033
See application file for complete search history.

(56) **References Cited**

U.S. PATENT DOCUMENTS

D139,399 S * 11/1944 Olson D21/511
D139,527 S * 11/1944 Olson D21/511
D262,557 S * 1/1982 McElhaney D21/507
D269,468 S * 6/1983 Babcock 119/428

D335,369 S * 5/1993 Gravelle D21/511
D358,906 S * 5/1995 Myers D30/110
D370,264 S * 5/1996 Edwards D25/22
D421,157 S * 2/2000 Logan, Jr. D30/110
D435,320 S * 12/2000 Fick D30/110
D594,070 S * 6/2009 Ridens D21/511
D612,287 S * 3/2010 Johnson D11/117
D614,076 S * 4/2010 Johnson D11/125
D710,952 S * 8/2014 Guglielmo D21/511
D725,835 S * 3/2015 Takaoka D30/126

OTHER PUBLICATIONS

The Home Craftsman; May-Jun. 1951; a fairy-like bluebird house by Dick Hutchinson; p. 44.*

* cited by examiner

Primary Examiner — Cathy Anne MacCormac

(74) *Attorney, Agent, or Firm* — Robert P. Micha, Esq.; Carter, DeLuca, Farrell & Schmidt, LLP

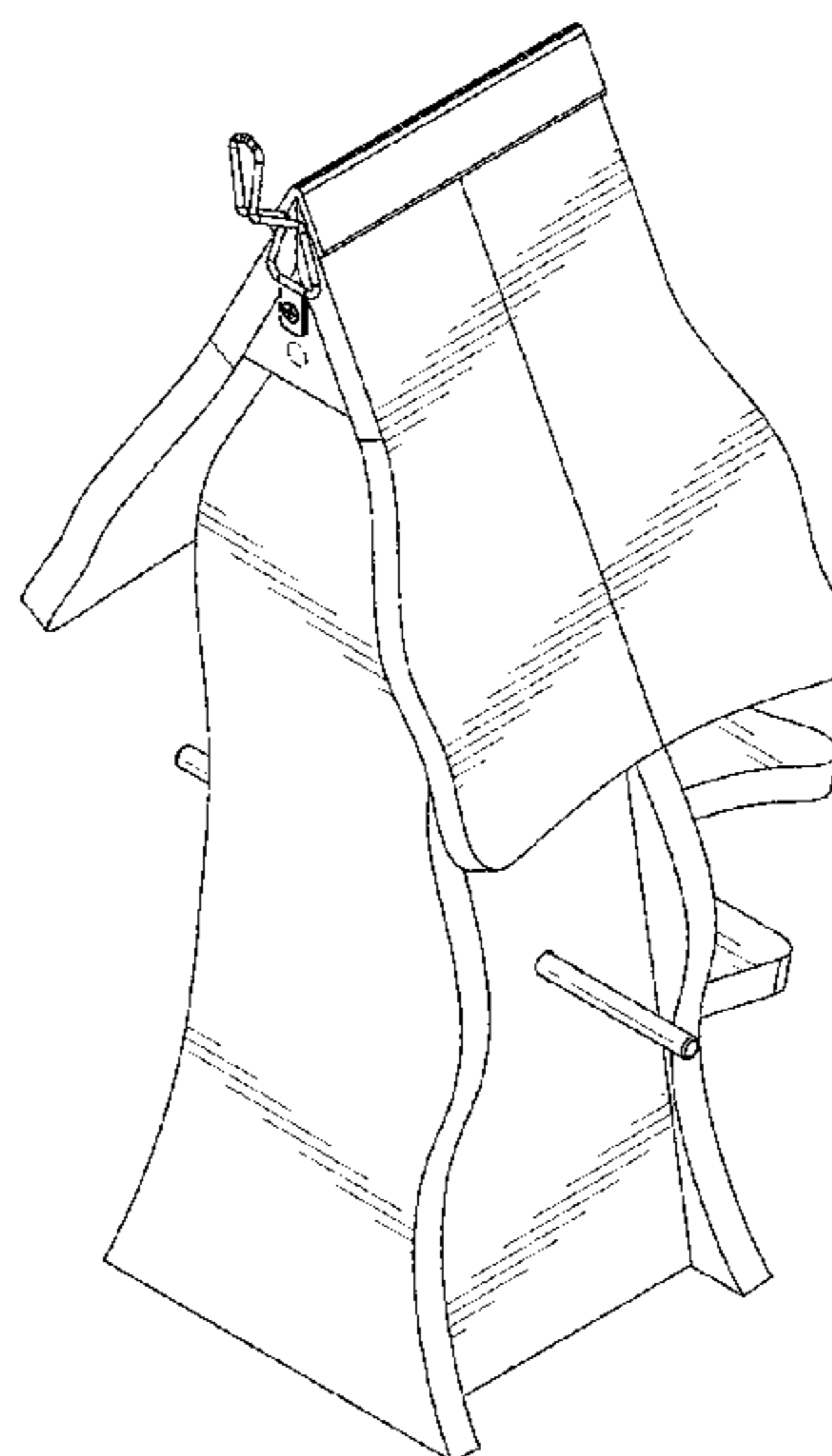
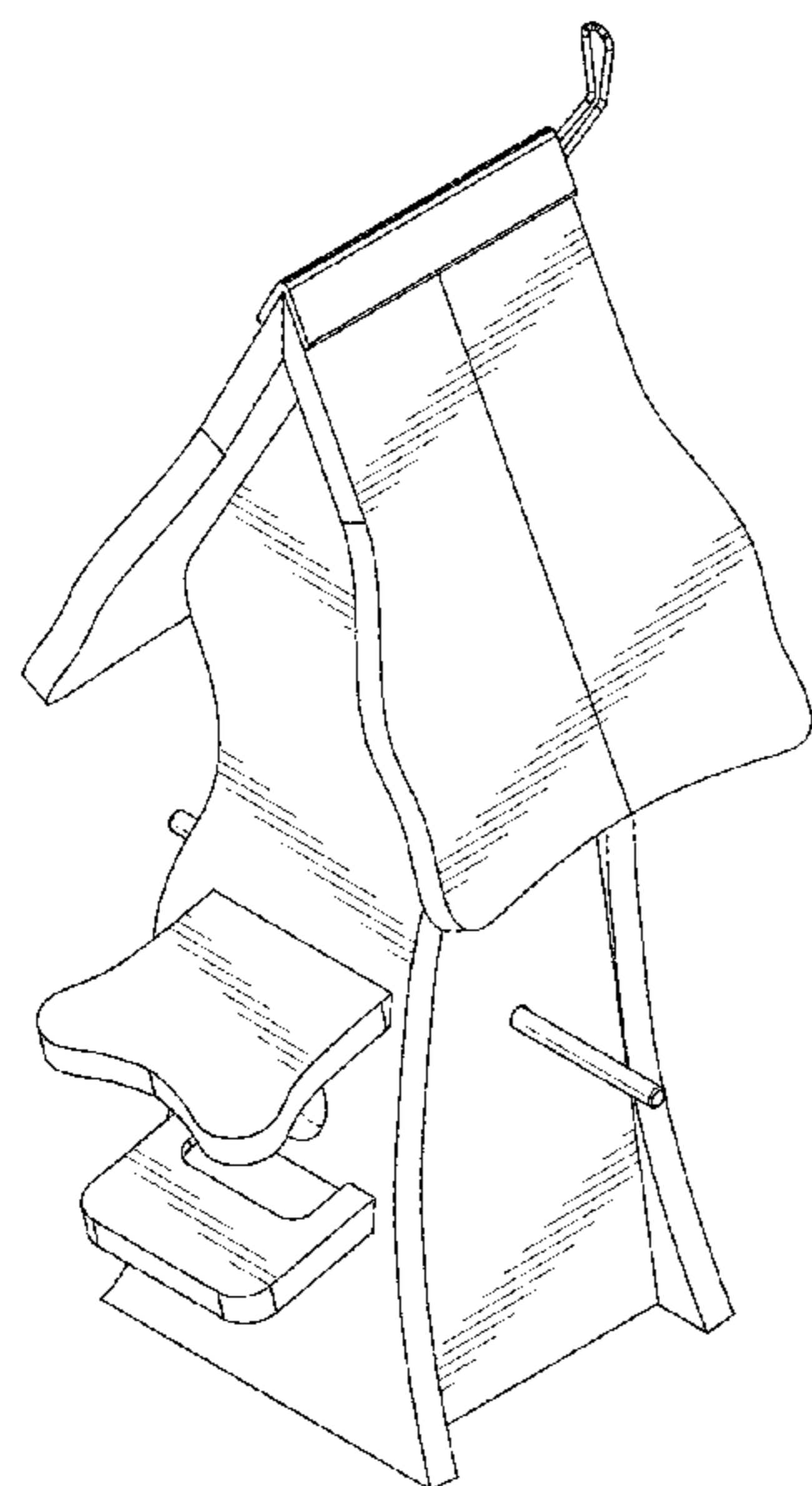
(57) **CLAIM**

I claim the ornamental design for a combined bird house and bird feeder, as shown and described.

DESCRIPTION

FIG. 1 is a front view of the combined bird house and bird feeder showing my new design;
FIG. 2 is a rear view thereof;
FIG. 3 is a right side view thereof;
FIG. 4 is a left side view thereof;
FIG. 5 is a top view thereof;
FIG. 6 is a bottom view thereof;
FIG. 7 is a front perspective view thereof; and,
FIG. 8 is a rear perspective view thereof.
The broken lines in the drawings depict environmental subject matter and form no part of the claimed design.

1 Claim, 8 Drawing Sheets



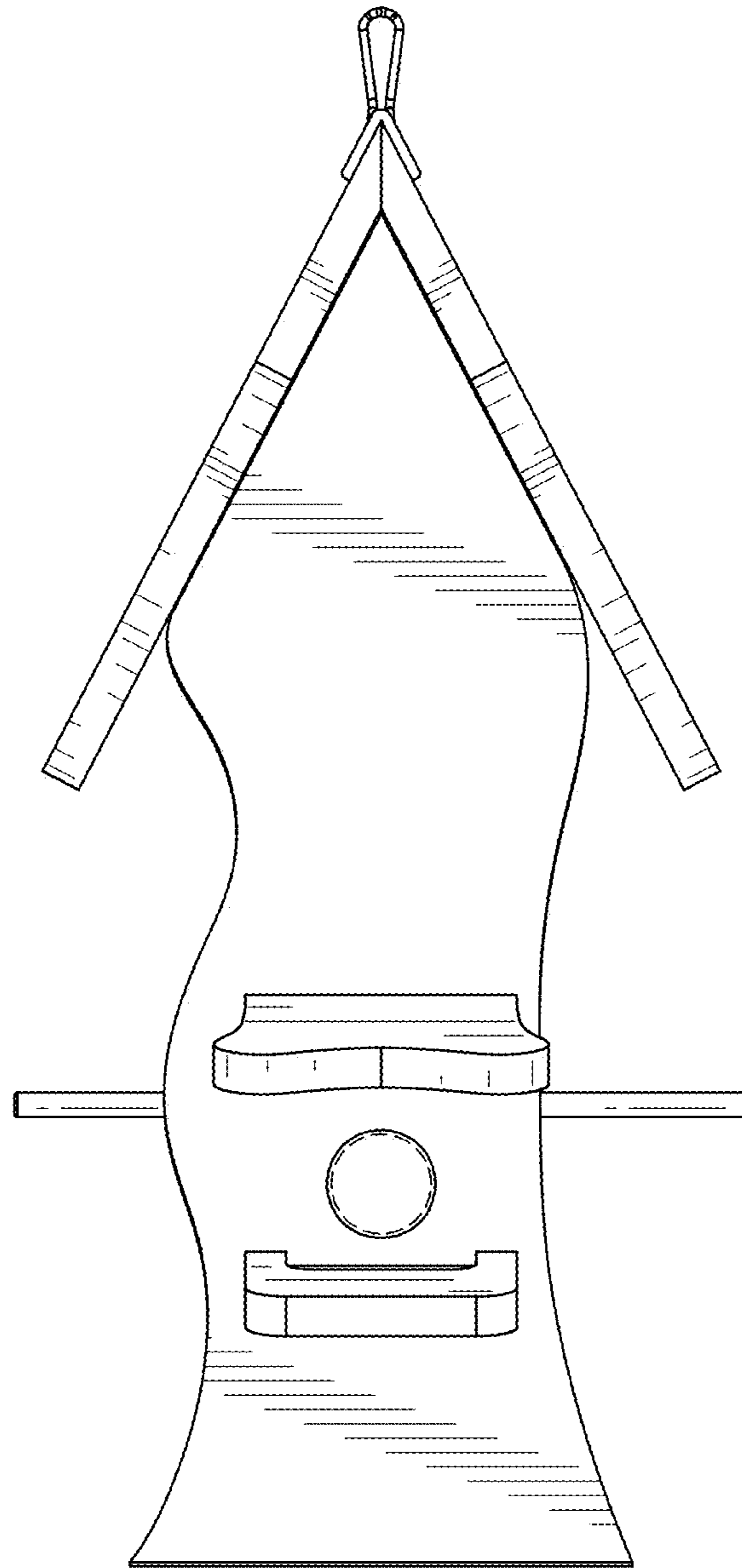


FIG. 1

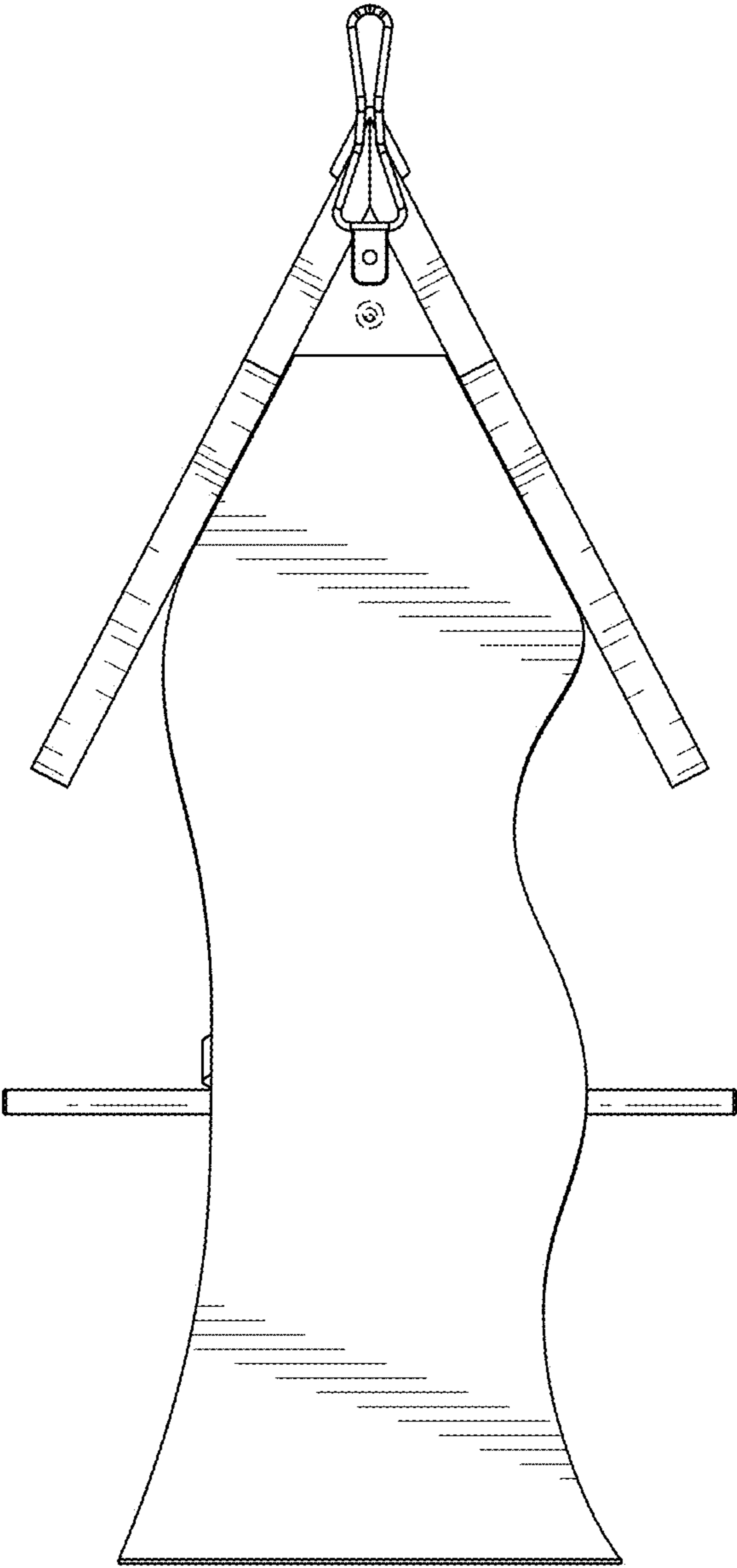


FIG. 2

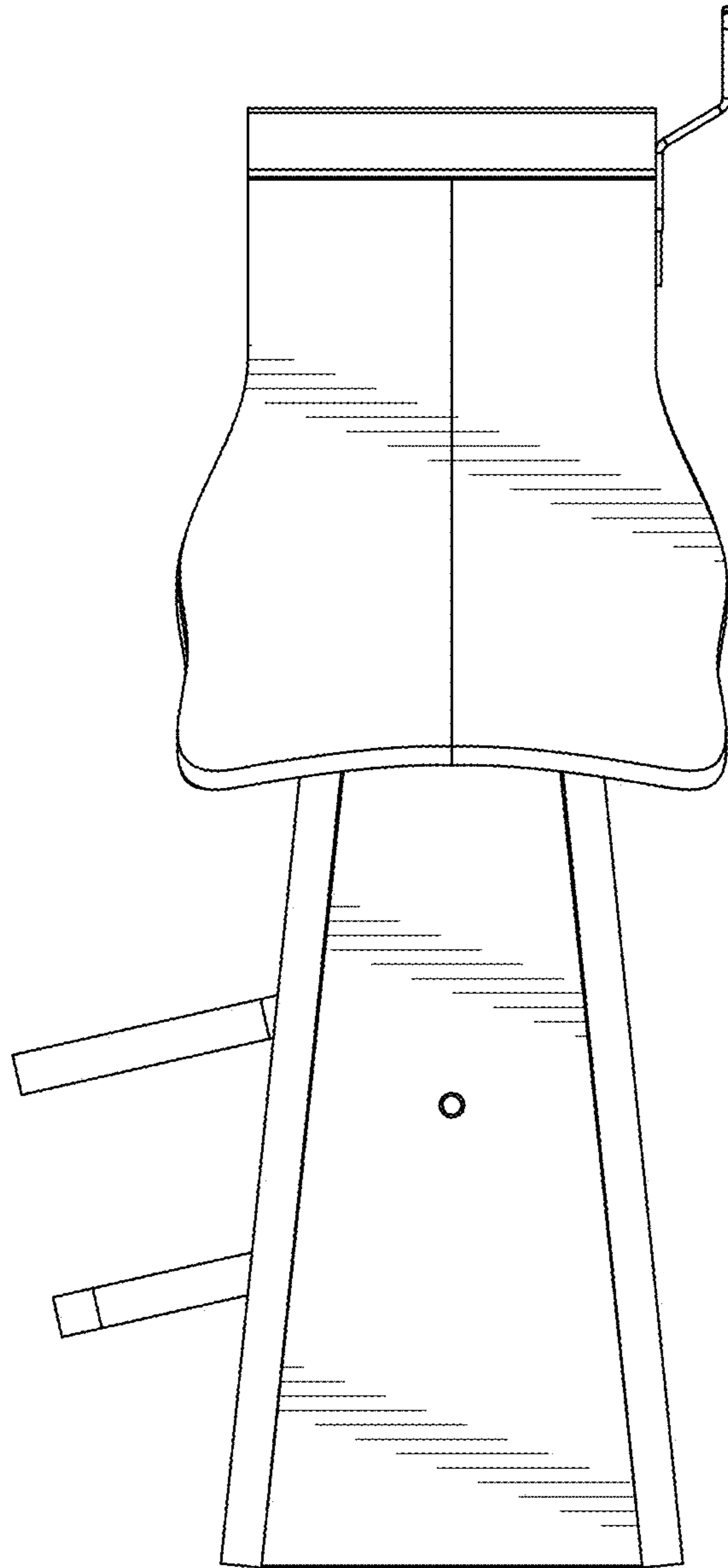


FIG. 3

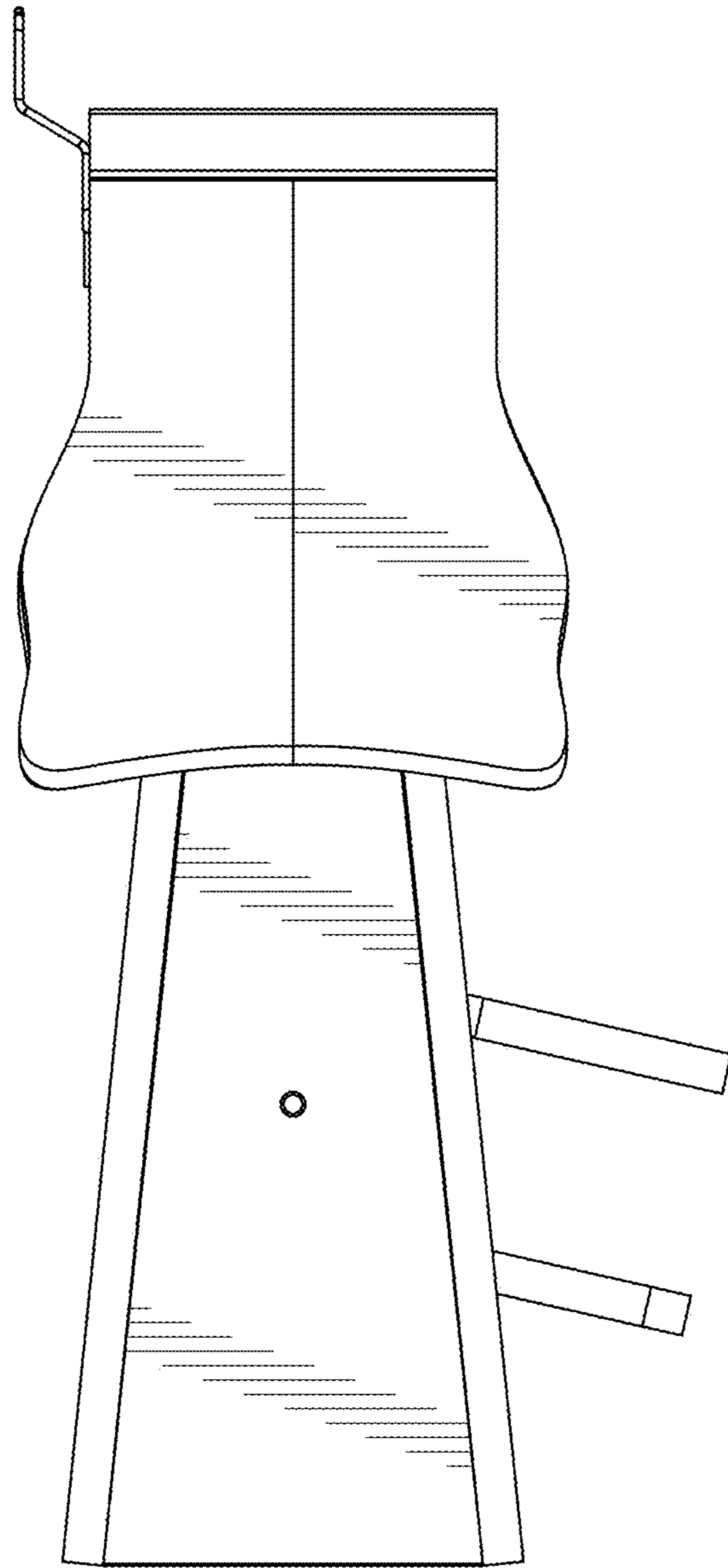


FIG. 4

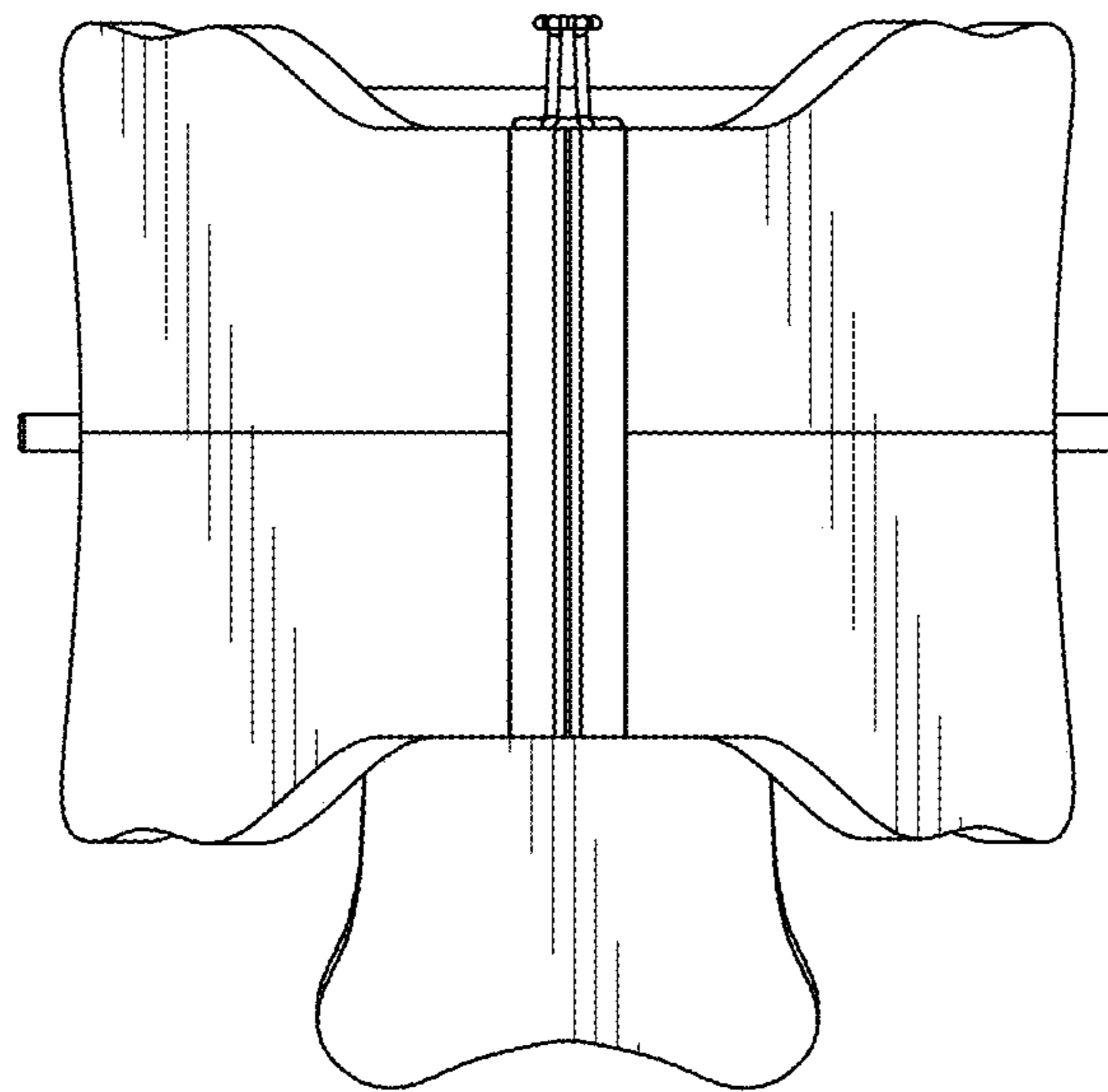


FIG. 5

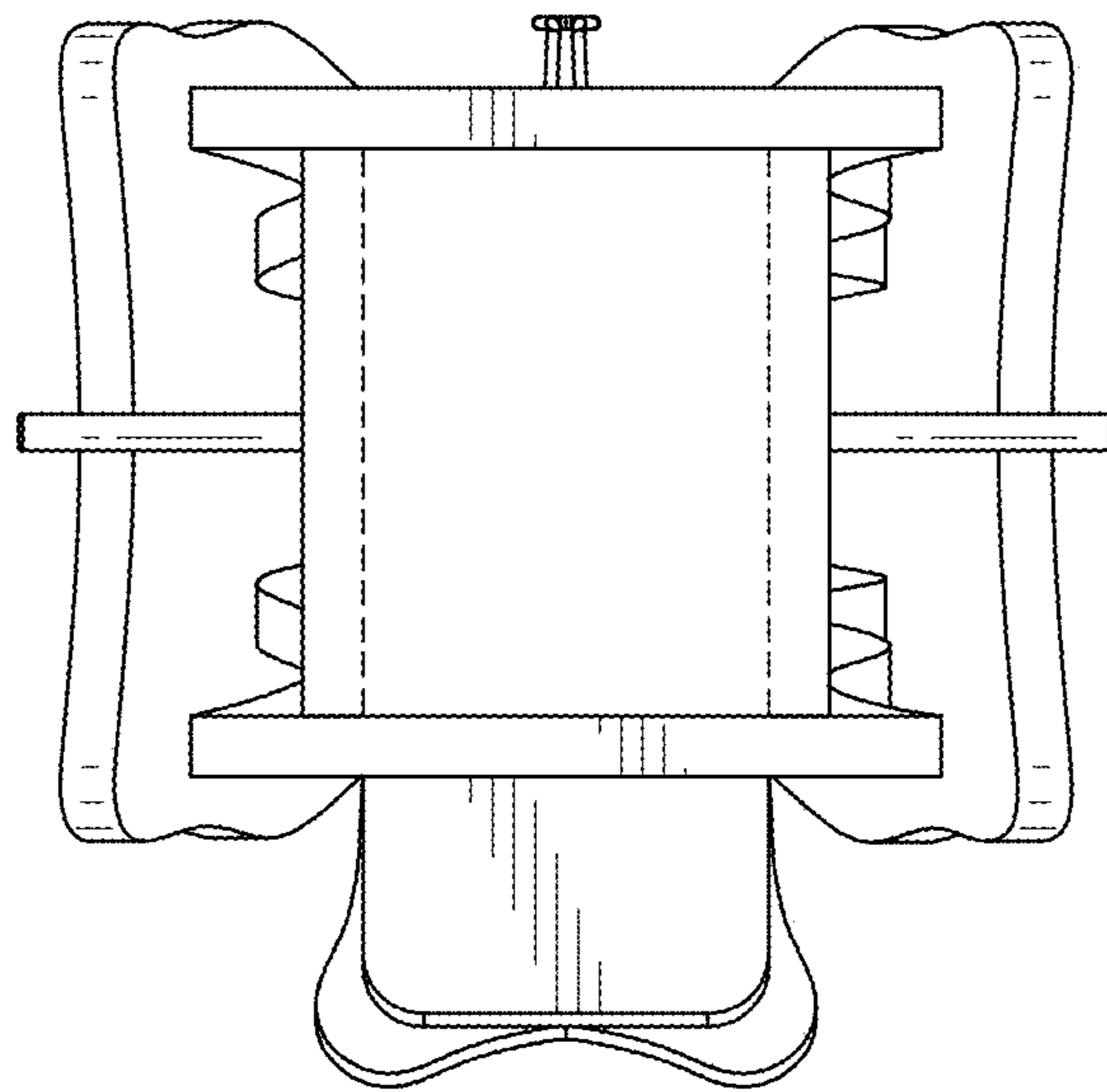


FIG. 6

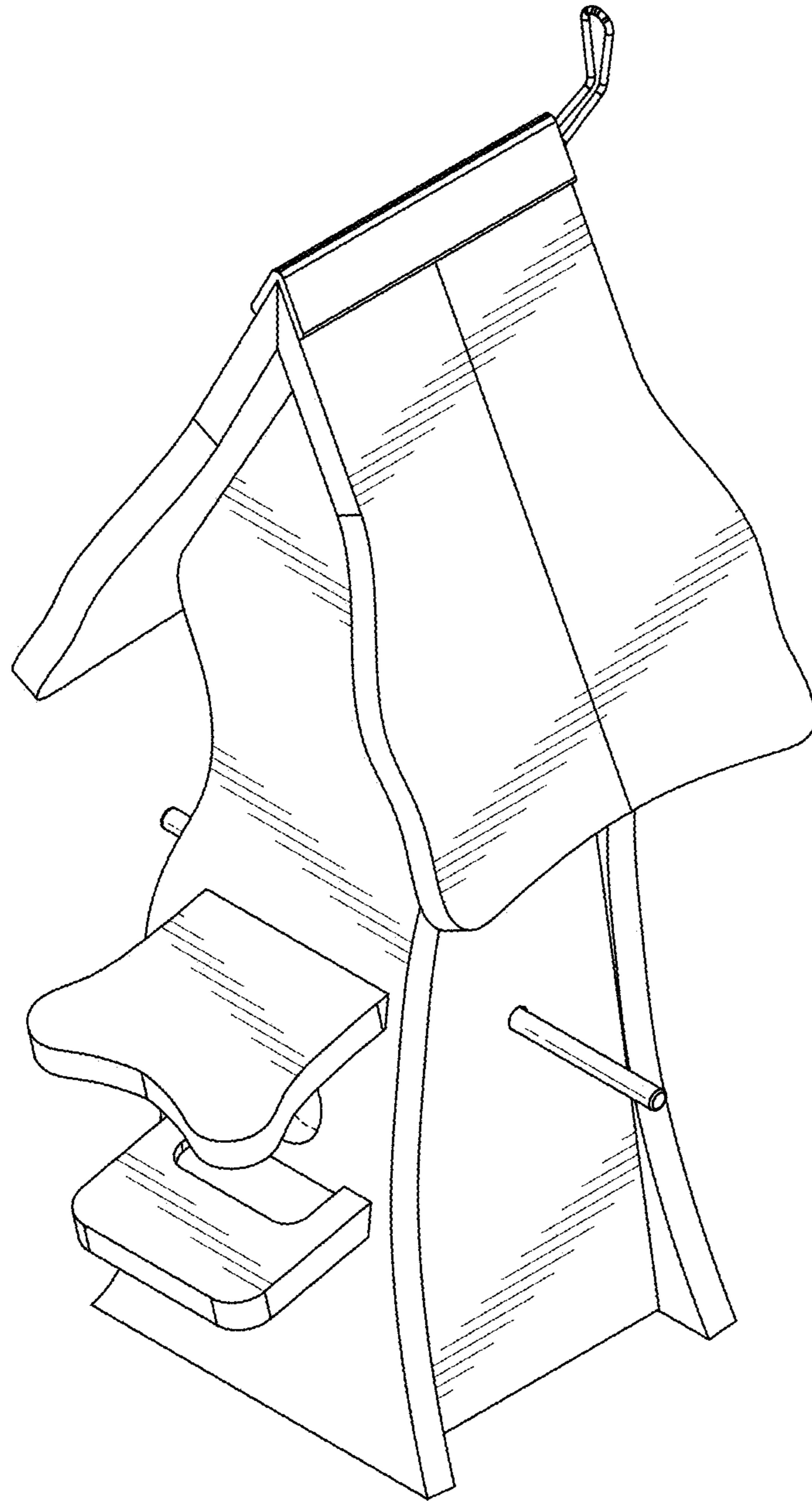


FIG. 7

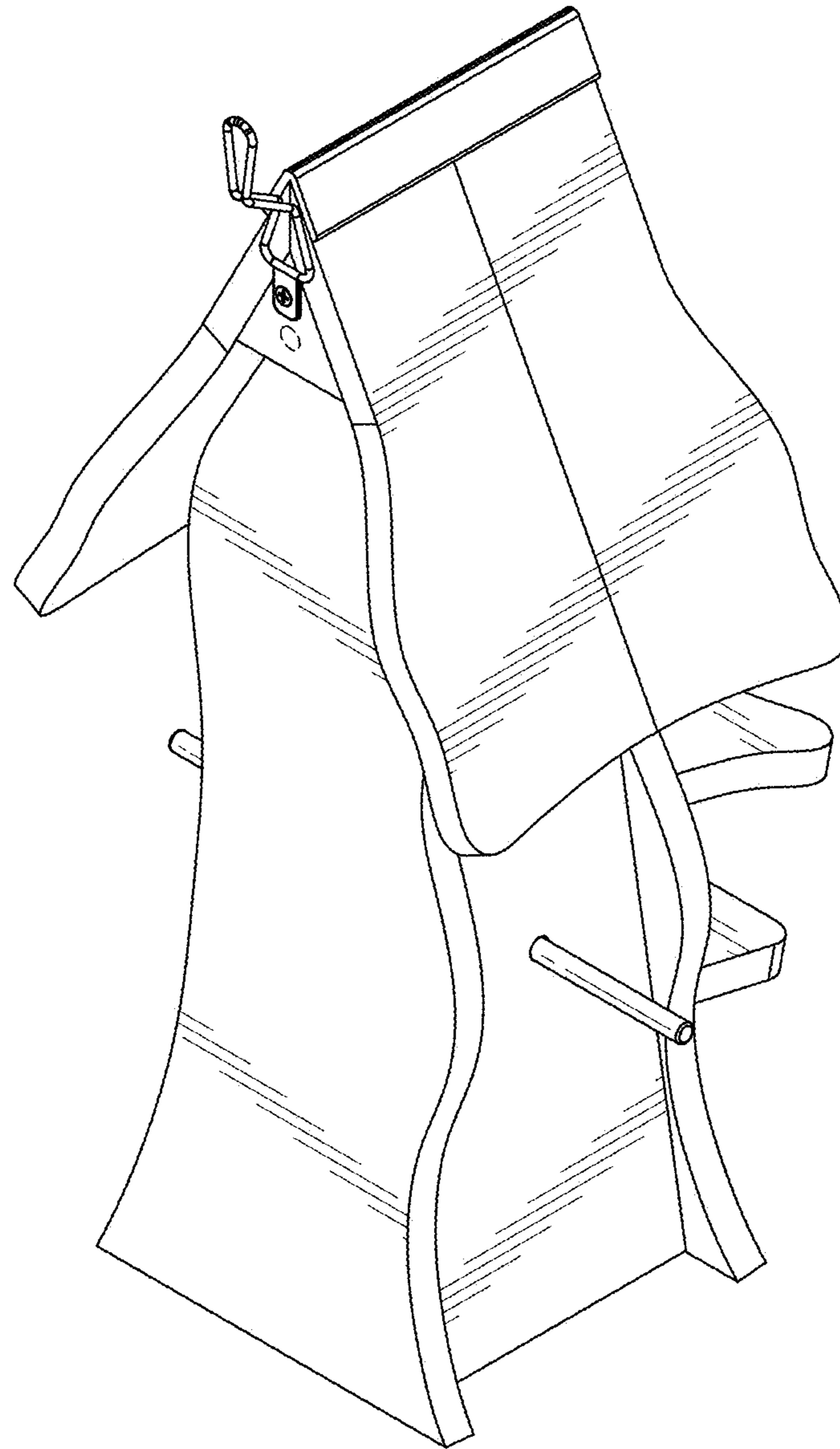


FIG. 8