



US00D765919S

(12) **United States Design Patent**
Croll

(10) **Patent No.:** **US D765,919 S**

(45) **Date of Patent:** **** Sep. 6, 2016**

(54) **MOUTH GUARD**

(71) Applicant: **Theodore P Croll**, Doylestown, PA (US)

(72) Inventor: **Theodore P Croll**, Doylestown, PA (US)

(**) Term: **15 Years**

(21) Appl. No.: **29/534,012**

(22) Filed: **Jul. 24, 2015**

(51) **LOC (10) Cl.** **29-02**

(52) **U.S. Cl.**
USPC **D29/108**

(58) **Field of Classification Search**
USPC D29/100, 105, 106, 108, 122; D24/108, D24/109, 110, 110.5, 156, 176, 181; 128/859, 860, 861, 862, 857, 846, 848; 602/902; 433/6, 18, 24, 168.1; 2/9, 2/424, 425
CPC A61F 5/566; A61F 5/58; A63B 71/08; A63B 71/081; A63B 71/085; A63B 2071/085; A63B 2071/088; A61C 7/10; A61C 13/08; A61C 13/081; A61C 13/083; A61C 13/087; A61C 19/066; A61C 5/14; A61B 13/00; A61B 13/24
See application file for complete search history.

3,236,235 A * 2/1966 Jacobs A63B 71/085
128/862

3,312,218 A * 4/1967 Jacobs A63B 71/085
128/862

3,333,582 A * 8/1967 Cathcart A63B 71/085
128/862

3,411,501 A * 11/1968 Greenberg A63B 71/085
128/862

3,457,916 A * 7/1969 Wolicki A63B 71/085
128/862

3,505,995 A * 4/1970 Greenberg A63B 71/085
128/862

4,568,280 A * 2/1986 Ahlin A61F 5/566
433/6

5,259,762 A * 11/1993 Farrell A61C 7/08
433/215

5,624,257 A * 4/1997 Farrell A61C 7/08
128/861

7,404,403 B2 * 7/2008 Farrell A63B 71/085
128/859

D611,658 S * 3/2010 Manzo D29/108

D727,571 S * 4/2015 Brett D29/108

D743,107 S * 11/2015 Hirshberg D29/108

(Continued)

Primary Examiner — Elizabeth J Oswecki

(74) *Attorney, Agent, or Firm* — Ryder, Lu, Mazzeo & Konieczny LLC; Joseph M. Konieczny; Gregory J. Gore

(57) **CLAIM**

The ornamental design for a mouth guard, as shown and described.

(56) **References Cited**

U.S. PATENT DOCUMENTS

2,521,039 A * 9/1950 Carpenter A63B 71/085
128/861

2,590,118 A * 3/1952 Oddo, Jr. A63B 71/085
128/861

2,966,908 A * 1/1961 Cathcart A63B 71/085
128/861

3,207,153 A * 9/1965 Goldstein A63B 71/085
128/862

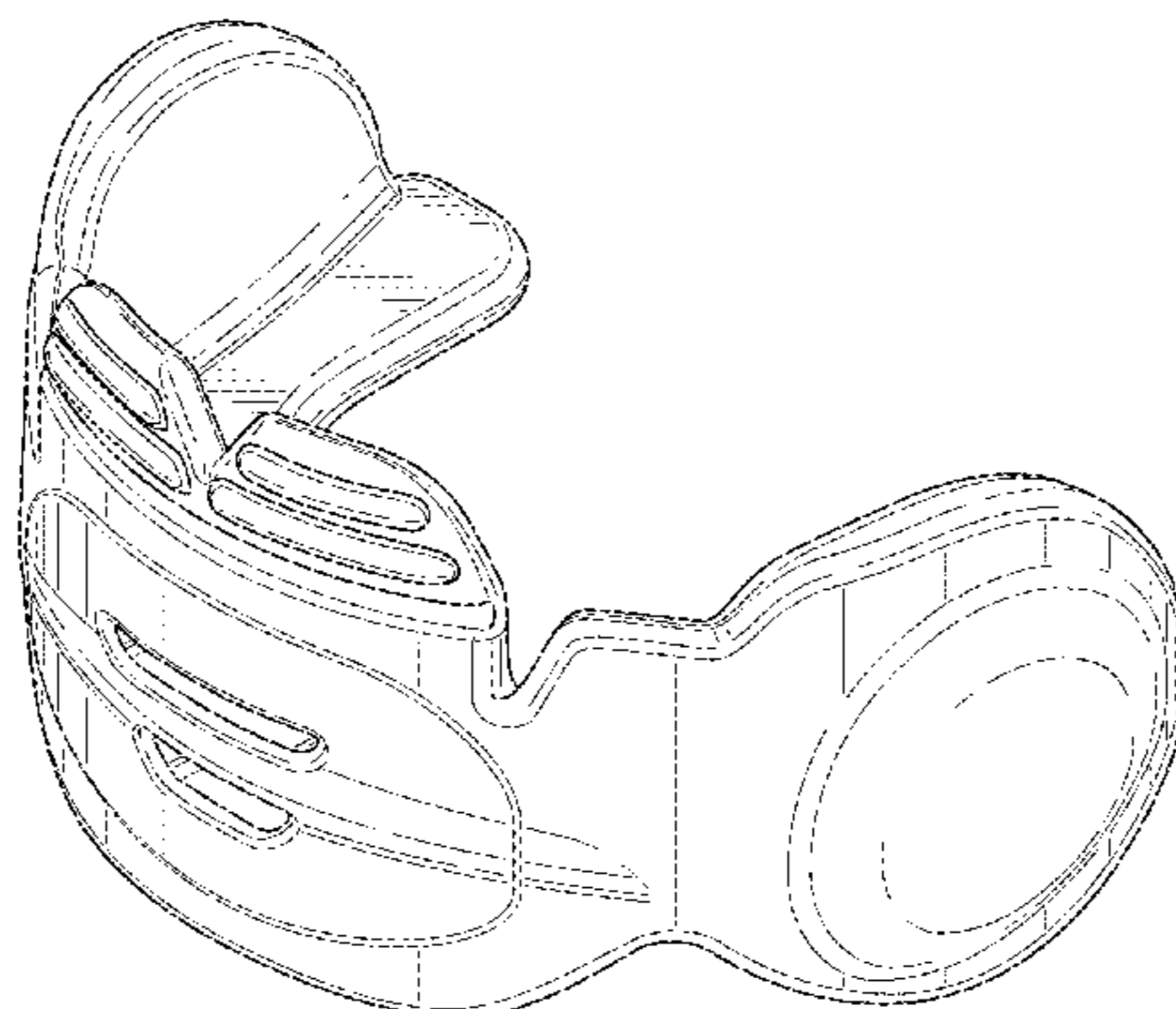
3,223,085 A * 12/1965 Gores A63B 71/085
128/861

3,234,942 A * 2/1966 Simor A61C 19/063
604/20

DESCRIPTION

FIG. 1 is a top, right, front perspective view of a mouth guard showing my new design;
FIG. 2 is a front elevation view thereof;
FIG. 3 is a right side elevation view thereof;
FIG. 4 is a rear elevation view thereof;
FIG. 5 is a left side elevation view thereof;
FIG. 6 is a top plan view thereof; and,
FIG. 7 is a bottom plan view thereof.

1 Claim, 4 Drawing Sheets



US D765,919 S

Page 2

(56)

References Cited

U.S. PATENT DOCUMENTS

D743,108 S * 11/2015 Charlton D29/108
D752,295 S * 3/2016 Lovat D29/108
2003/0019497 A1* 1/2003 Farrell A61C 7/08
128/861
2005/0284489 A1* 12/2005 Ambis, Jr. A63B 71/085
128/859
2006/0084024 A1* 4/2006 Farrell A61C 7/08
433/6

2008/0050693 A1* 2/2008 Fischer A61C 19/063
433/25
2010/0051038 A1* 3/2010 Quigless A63B 71/085
128/861
2011/0091833 A1* 4/2011 Farrell A61C 7/08
433/6
2012/0279506 A1* 11/2012 Thompson A63B 71/085
128/861

* cited by examiner

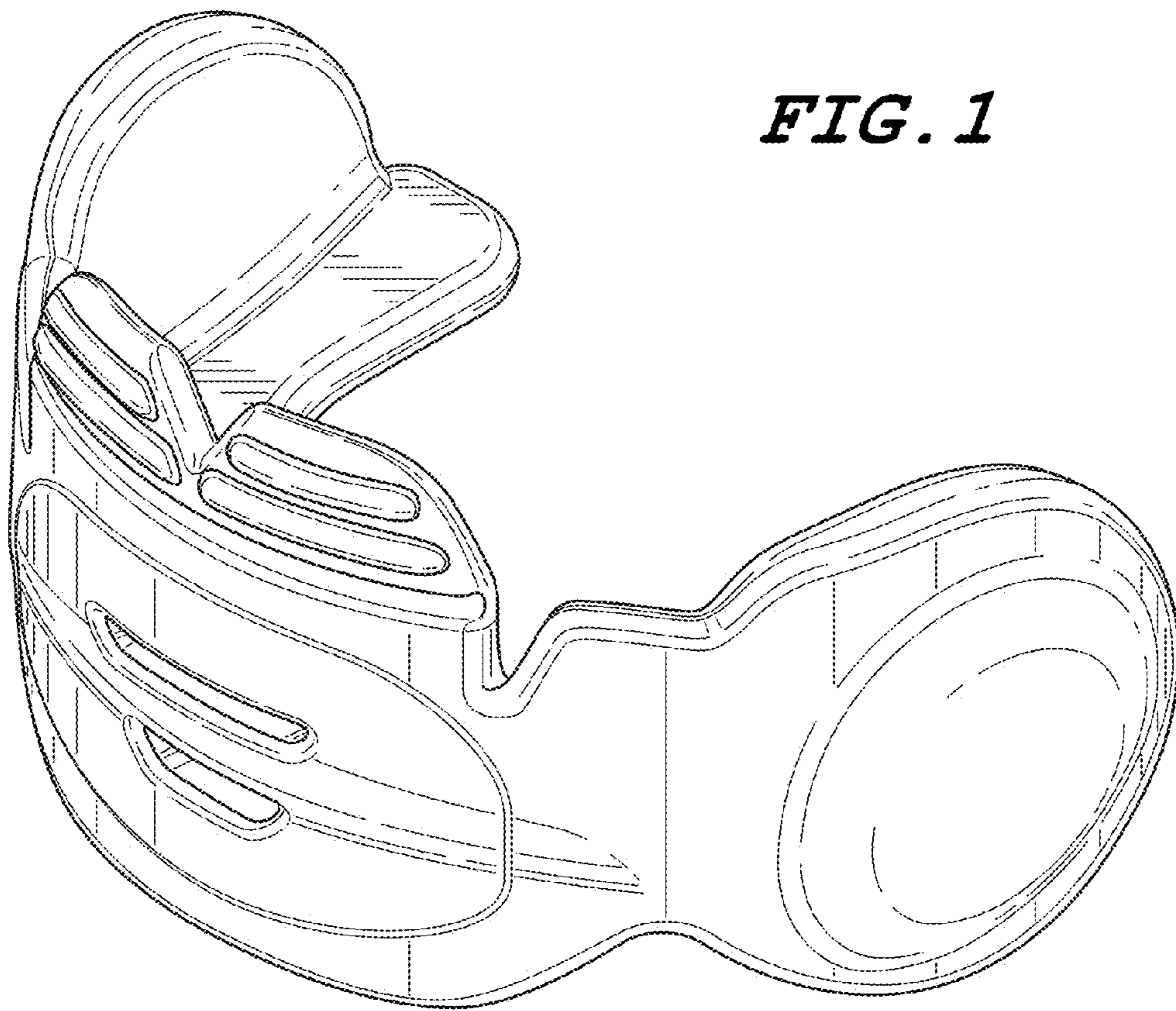


FIG. 1

FIG. 2

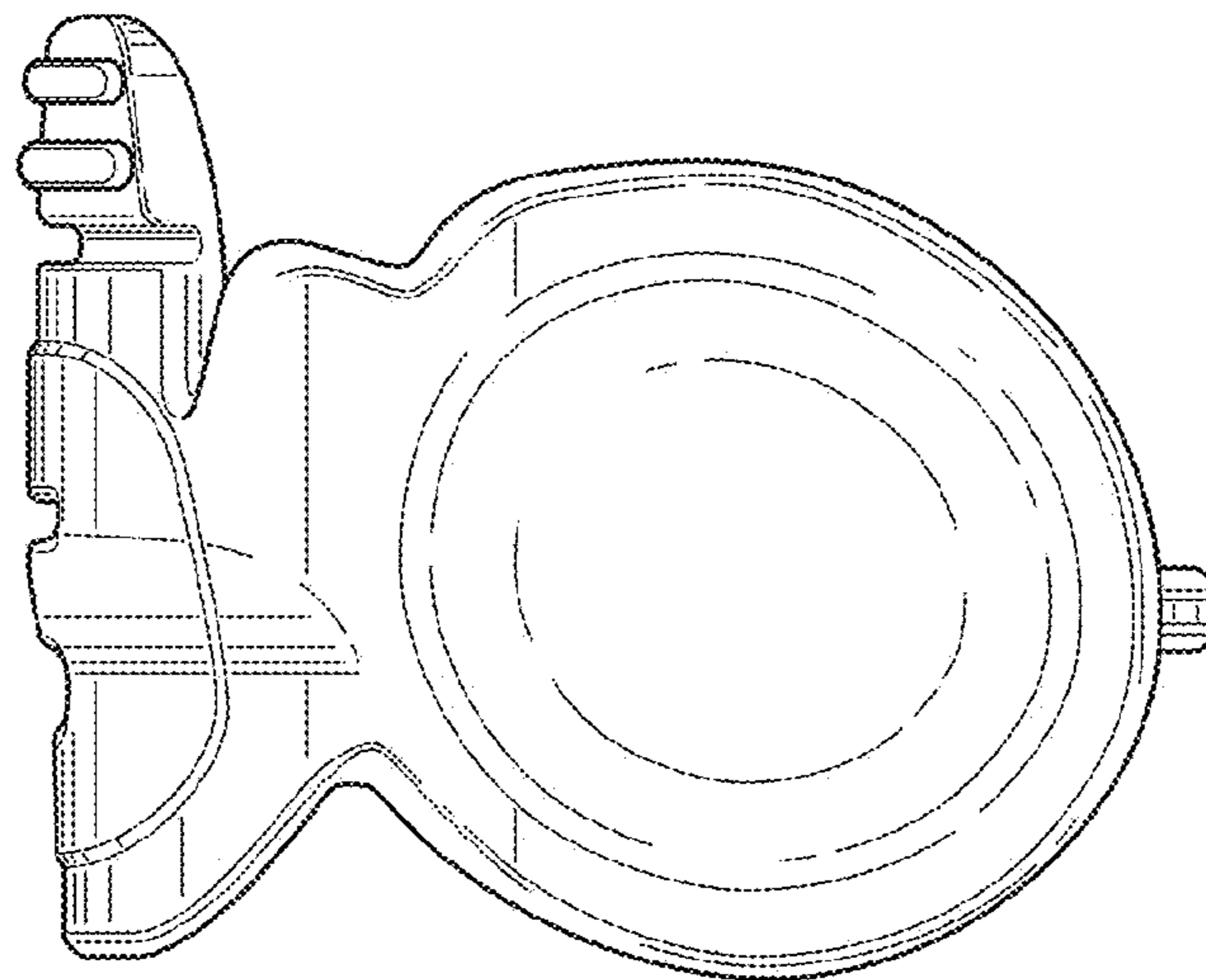
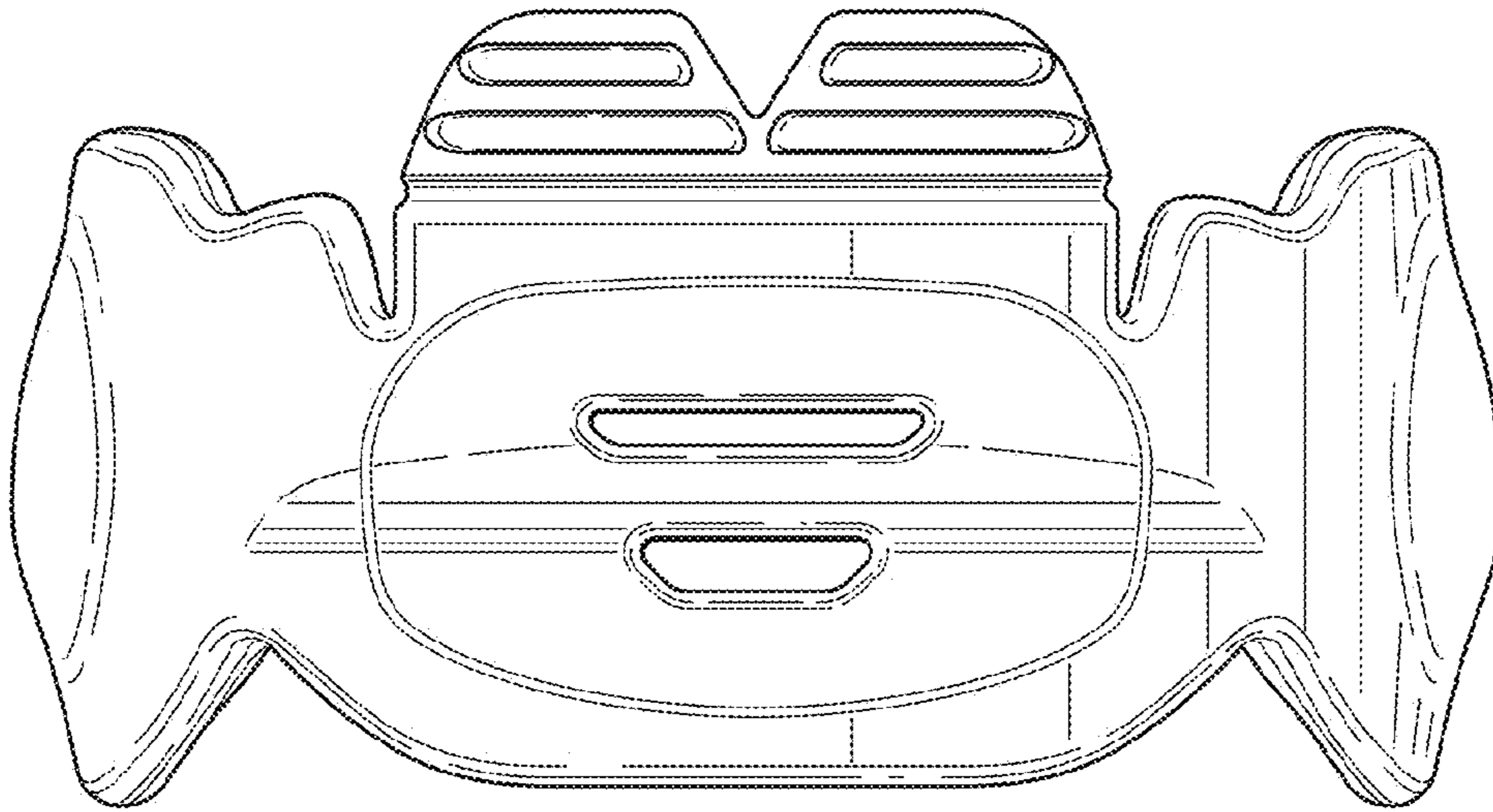


FIG. 3

FIG. 4

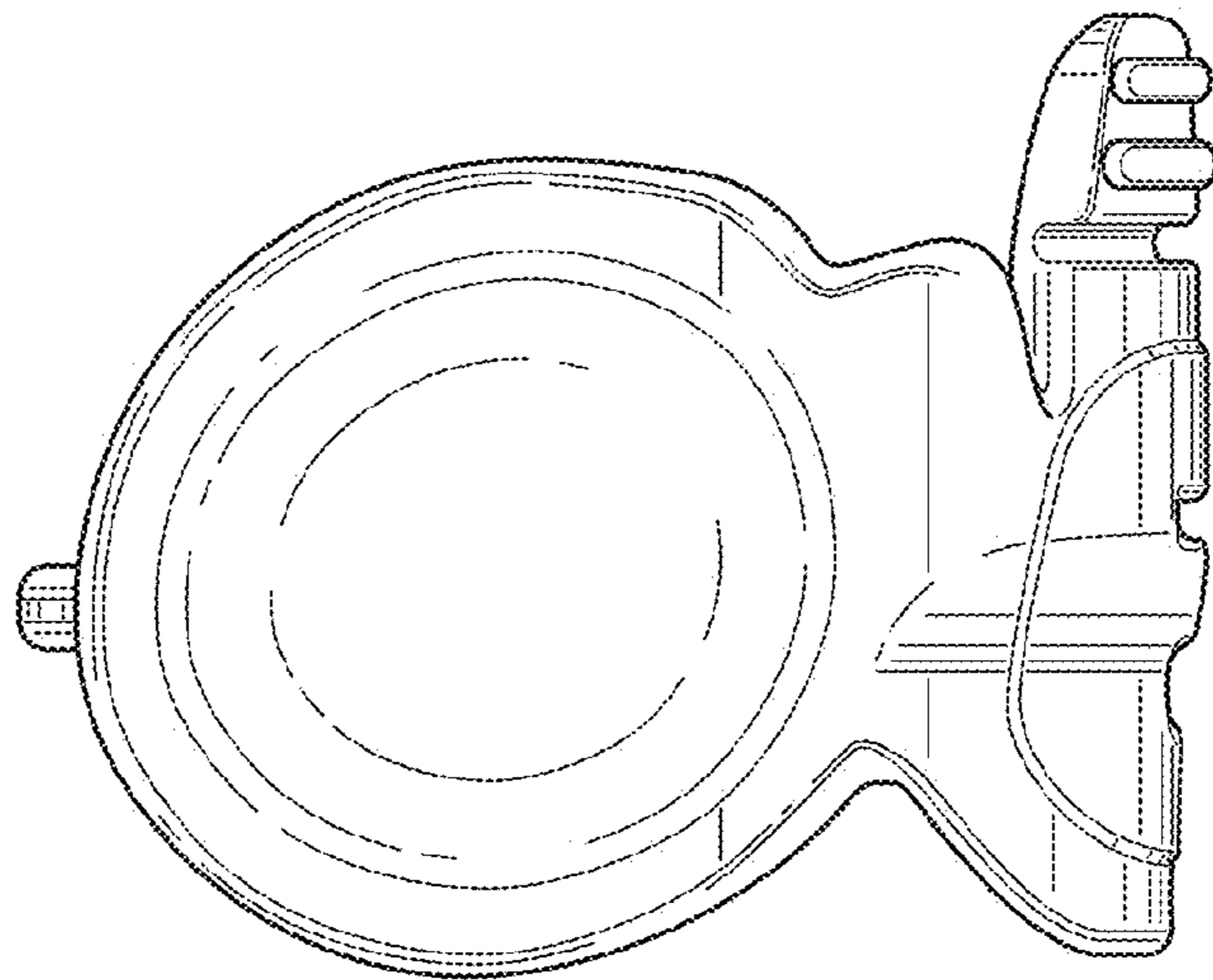
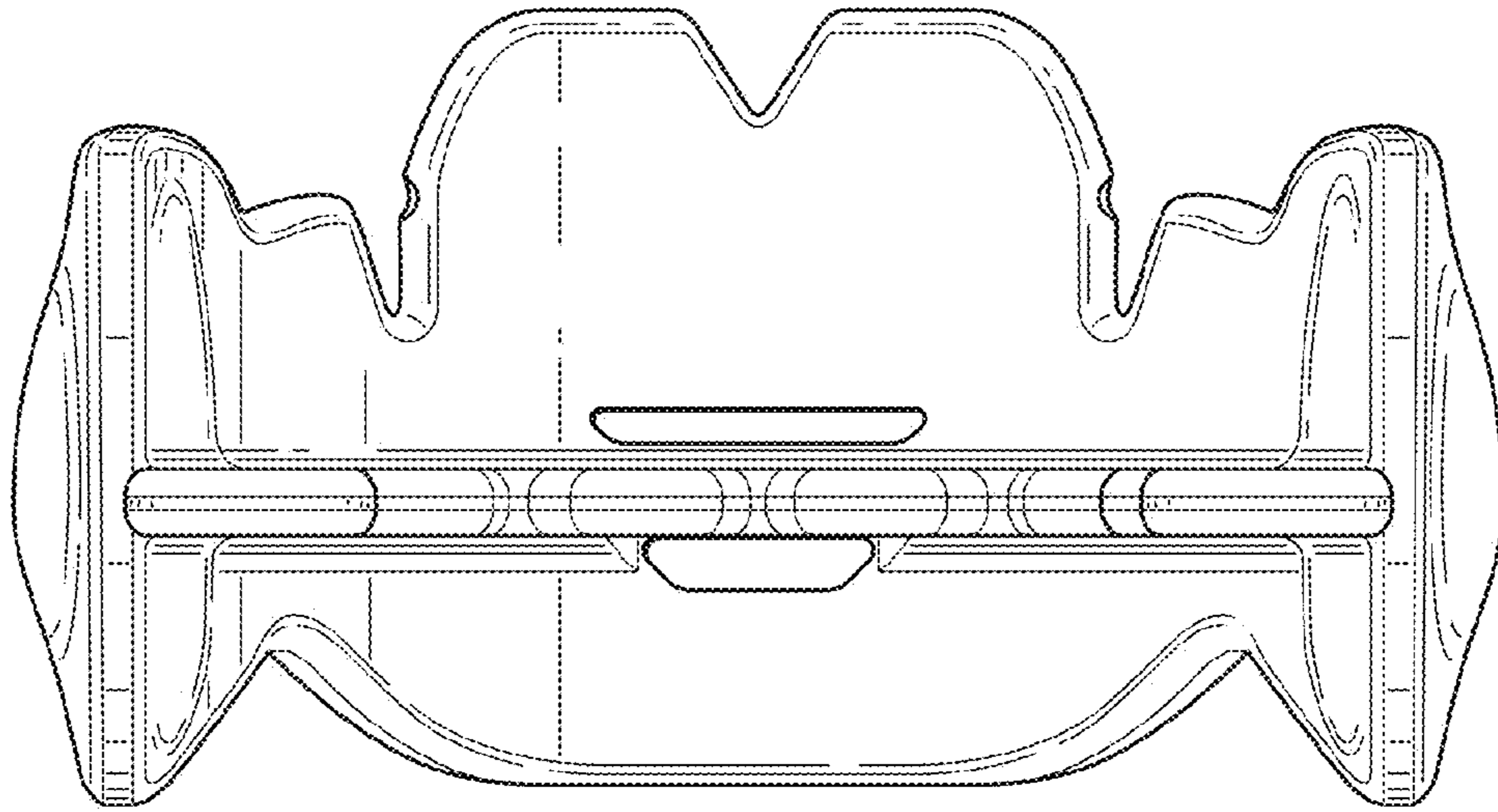


FIG. 5

FIG. 6

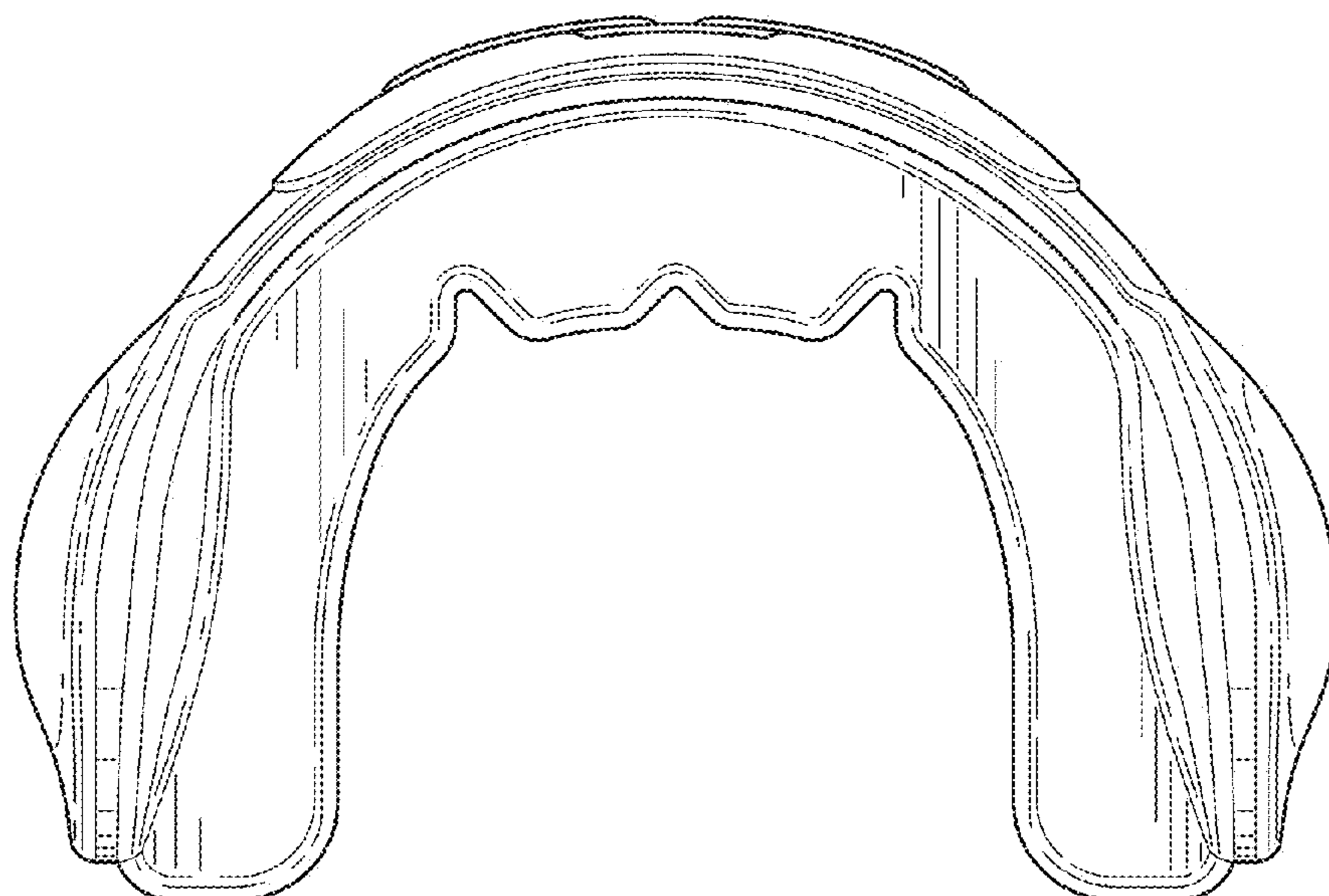
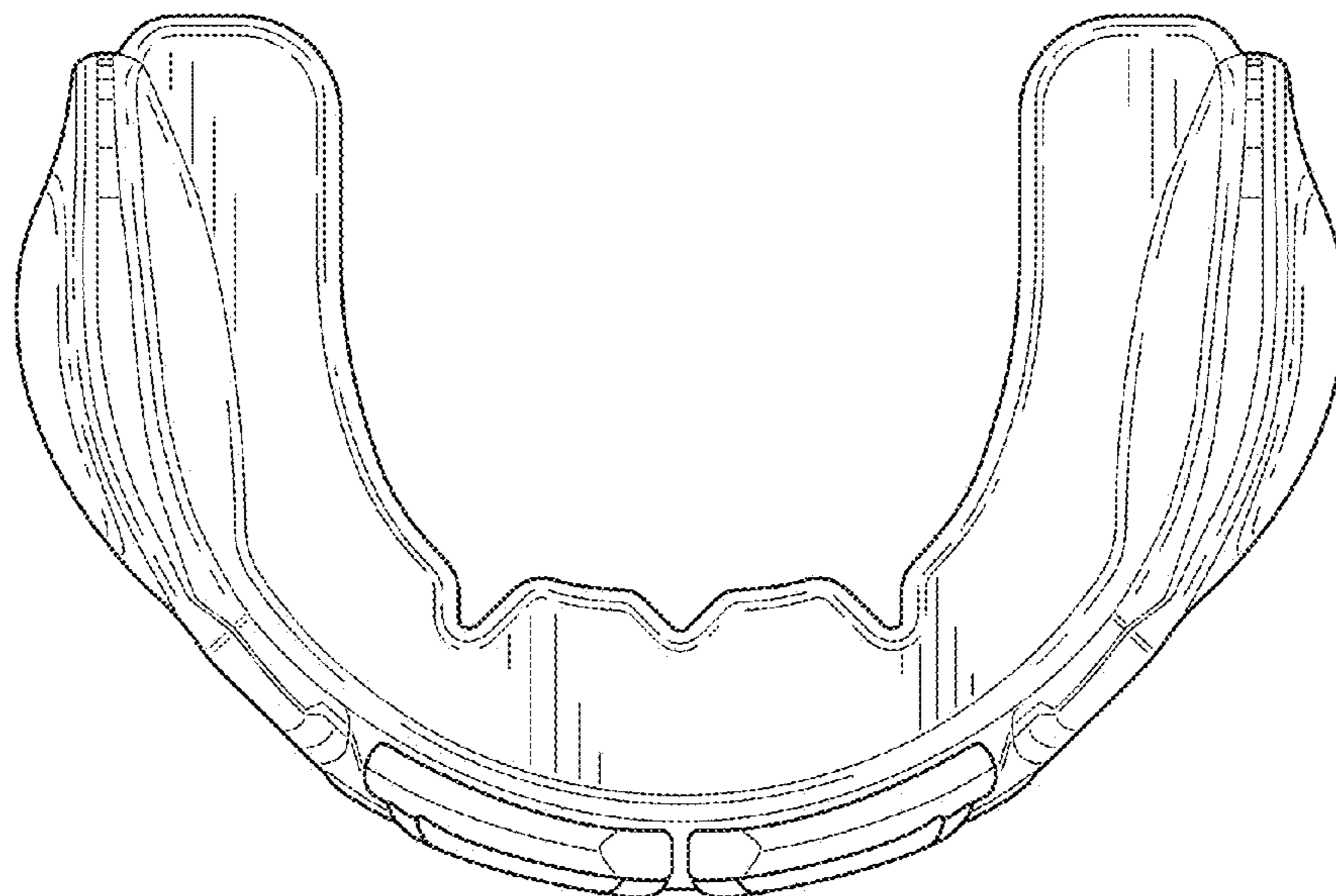


FIG. 7