

US00D765918S

(12) **United States Design Patent** (10) **Patent No.:** **US D765,918 S**
Floyd, Jr. et al. (45) **Date of Patent:** **** Sep. 6, 2016**

- (54) **PROTECTIVE LINER FOR A BALL CAP** 4,698,852 A * 10/1987 Romero A42B 3/00
 2/171
 (71) Applicant: **BCL INC**, King City (CA) 4,742,581 A * 5/1988 Rosenthal A41D 20/005
 2/170
 (72) Inventors: **Cornelius C. Floyd, Jr.**, Davie, FL 4,982,451 A 1/1991 Graham
 (US); **Robert G. Dickie**, King City 5,025,504 A 6/1991 Benston et al.
 (CA) 5,142,705 A * 9/1992 Edwards A42B 3/145
 2/183
 (73) Assignee: **BCL INC.**, King City, Ontario (CA) 5,226,180 A 7/1993 Leach
 D351,052 S * 10/1994 Russell D2/894
 (Continued)

(**) Term: **14 Years**

(21) Appl. No.: **29/513,002**

(22) Filed: **Dec. 24, 2014**

Related U.S. Application Data

- (63) Continuation-in-part of application No. 13/942,179,
 filed on Jul. 15, 2013.
 (51) **LOC (10) Cl.** **02-03**
 (52) **U.S. Cl.**
 USPC **D29/102; D2/892**
 (58) **Field of Classification Search**
 USPC D2/500, 865, 866, 868, 869, 871, 874,
 D2/875, 877, 881, 891, 894; D24/128,
 D24/190; D28/41; D29/102, 104, 108
 CPC A41D 20/00; A41D 20/005; A41D 23/00;
 A42B 1/00; A42B 1/22; A42B 3/00; A42B
 3/04; A42B 3/046; A42B 3/06; A42B 3/10;
 A42B 3/12; A42C 5/02
 See application file for complete search history.

(56) **References Cited**

U.S. PATENT DOCUMENTS

- 2,333,987 A 11/1943 Dandy
 2,339,189 A * 1/1944 Pickles A42B 3/003
 2/6.6
 2,768,380 A 10/1956 Golomb
 2,861,270 A 11/1958 McCoy
 D192,070 S * 1/1962 Well D2/875
 3,268,911 A 8/1966 Cox
 4,660,230 A 4/1987 Mayling
 4,675,919 A 6/1987 Heine et al.

OTHER PUBLICATIONS

“Ball Cap Liner (BCL) vs Isoblox” article posted on-line on Aug. 17, 2015. Retrieved from the Internet on Nov. 24, 2015. URL: <http://www.sparkinnovations.com/ball-cap-liner-vs-isoblox/>. (3 pages).*

Primary Examiner — Karen E. Eldridge Powers
Assistant Examiner — Jasmine Mlinarcik
 (74) *Attorney, Agent, or Firm* — Sand & Sebolt

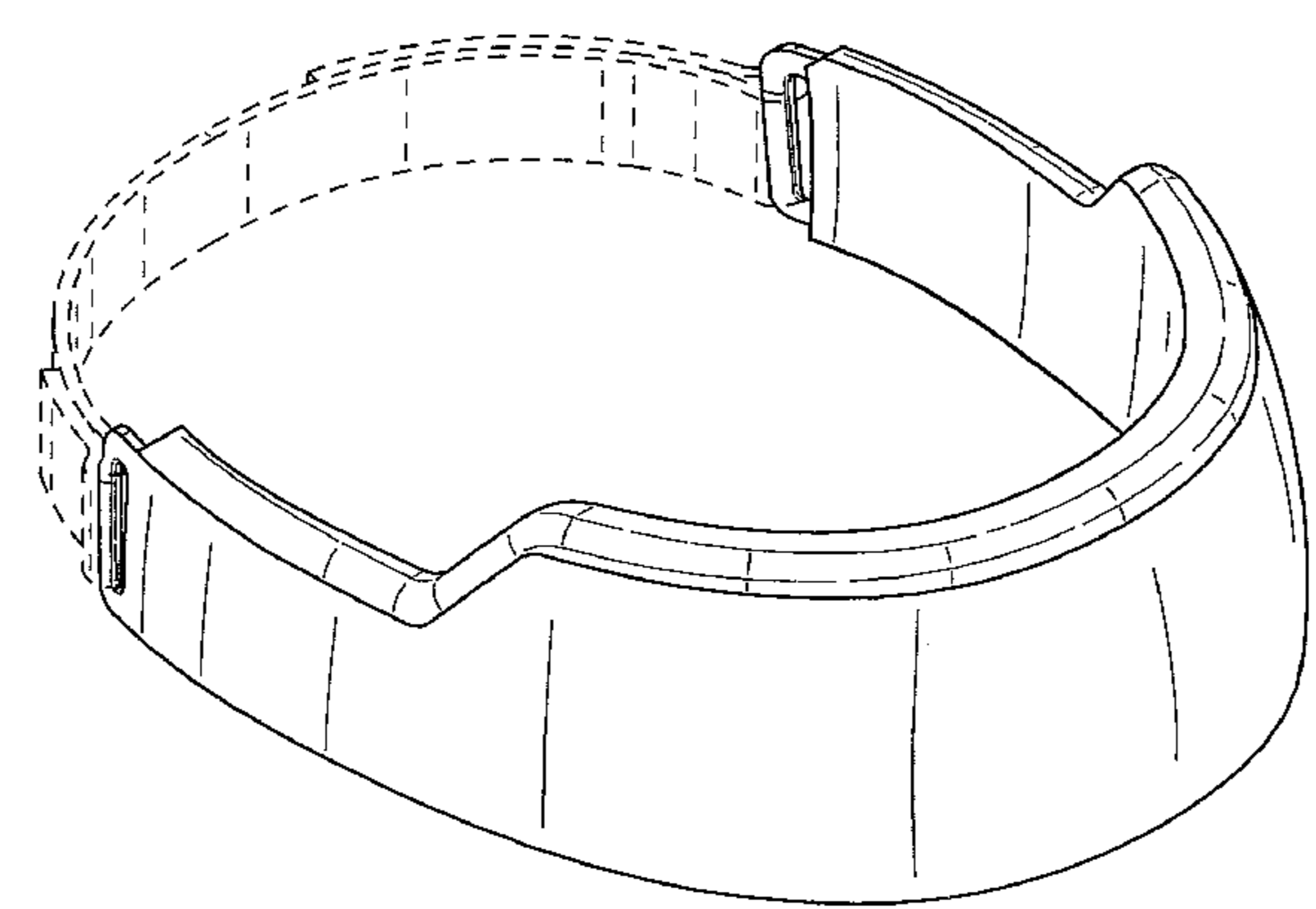
(57) **CLAIM**

The ornamental design for a protective liner for a ball cap, as shown and described.

DESCRIPTION

FIG. 1 is a first perspective view of a protective liner for a ball cap in accordance with our design;
 FIG. 2 is a second perspective view thereof;
 FIG. 3 is right side elevation view of the protective liner for a ball cap; the unshown left side elevation view being a mirror image thereof;
 FIG. 4 is a bottom plan view of the protective liner for a ball cap;
 FIG. 5 is a top plan view thereof;
 FIG. 6 is a front elevation view thereof; and,
 FIG. 7 is a rear elevation view thereof.
 The broken lines in the drawings show the environment in which the design is used. The broken lines form no part of the claimed design.

1 Claim, 7 Drawing Sheets



(56)

References Cited

U.S. PATENT DOCUMENTS

5,437,064 A	8/1995	Hamaguchi		8,813,265 B2 *	8/2014	Schwantes	A41D 20/00 2/209.13
D365,918 S *	1/1996	Izegbu	D2/875	8,856,972 B2	10/2014	Kirshon	
D366,732 S *	1/1996	Gregg	D29/108	D736,394 S *	8/2015	Owoc	D2/894
D370,309 S *	5/1996	Stucky	D29/102	D737,002 S *	8/2015	Olson	D29/108
D385,661 S *	10/1997	Moorhouse	D29/104	D741,007 S *	10/2015	McNama	D28/41
5,946,734 A *	9/1999	Vogan	A42B 3/00 2/171	2004/0168246 A1	9/2004	Phillips	
6,154,889 A	12/2000	Moore, III et al.		2005/0086727 A1	4/2005	Shen	
6,397,399 B1	6/2002	Lampe et al.		2008/0155735 A1	7/2008	Ferrara	
6,625,820 B1	9/2003	Lampe		2010/0186151 A1	7/2010	O'Leary	
7,096,512 B2	8/2006	Blair		2011/0214213 A1 *	9/2011	Foreman	A42B 1/00 2/7
D610,780 S *	3/2010	Dolby	D2/877	2012/0131731 A1	5/2012	Motroni	
D636,153 S *	4/2011	Schrab	D2/881	2013/0219593 A1	8/2013	Snyder	
7,930,771 B2	4/2011	Depreitere		2014/0259286 A1 *	9/2014	Boyle	A41D 20/00 2/181
				2015/0237944 A1 *	8/2015	Floyd, Jr.	A42B 1/08 2/414

* cited by examiner

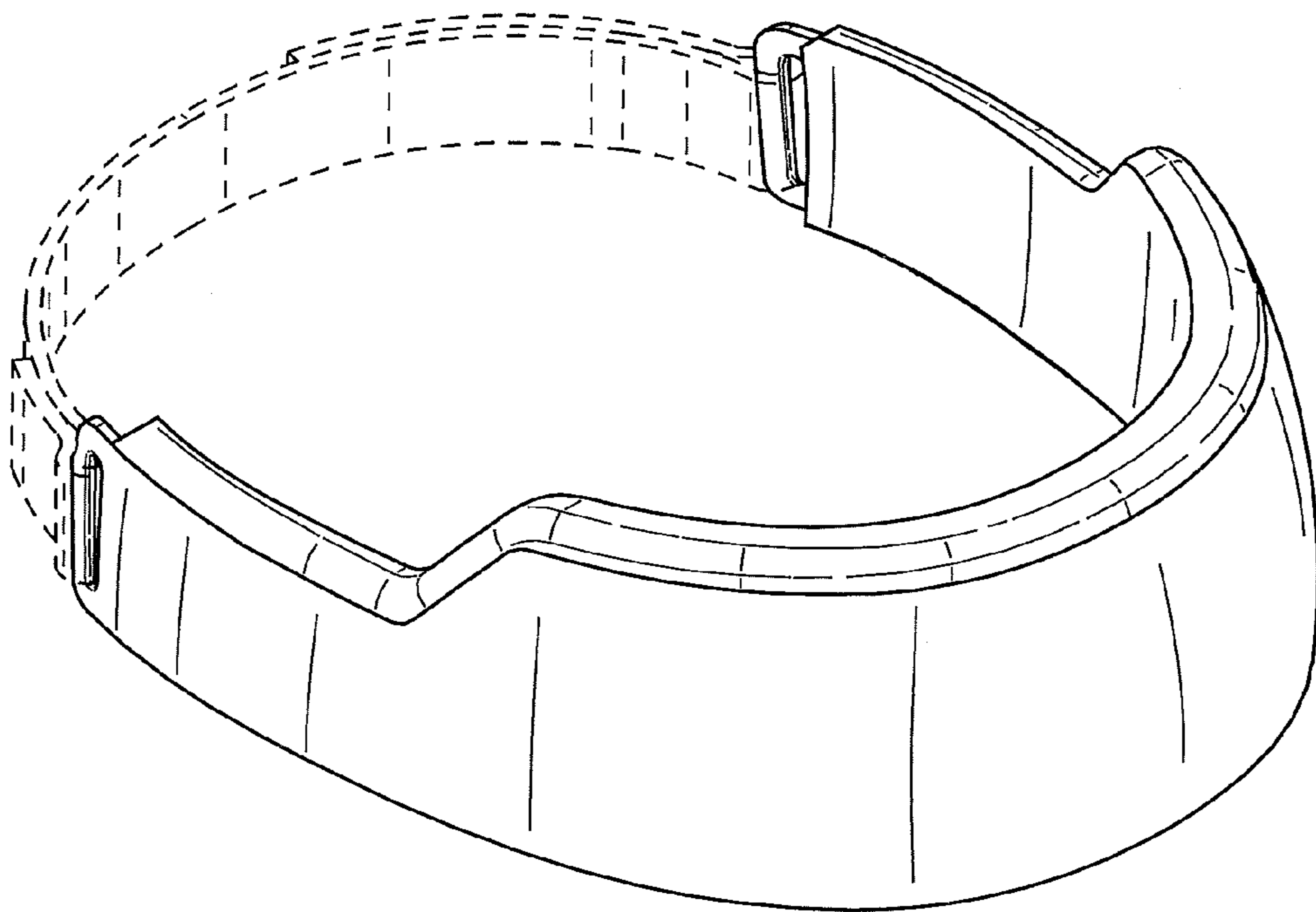


FIG. 1

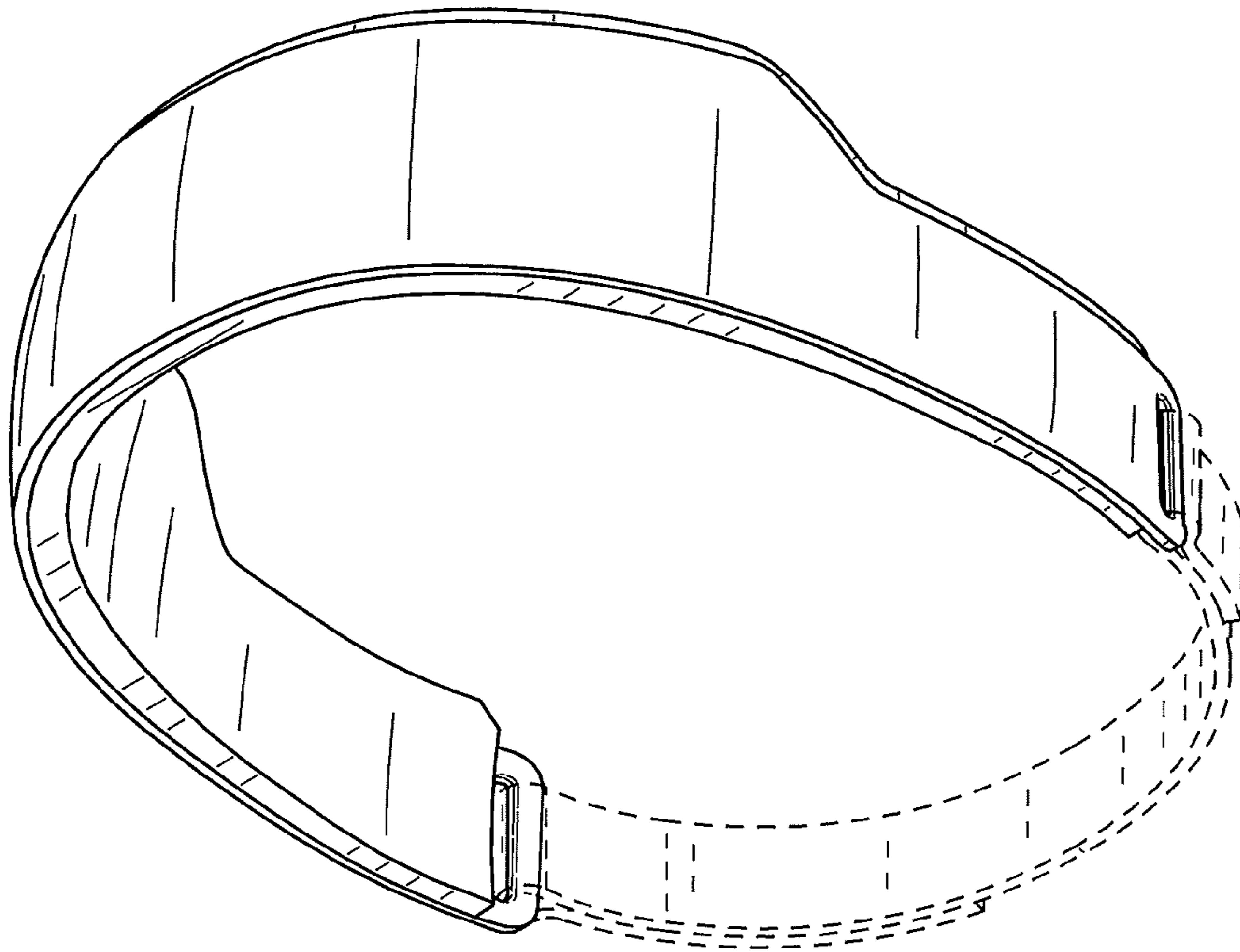


FIG. 2

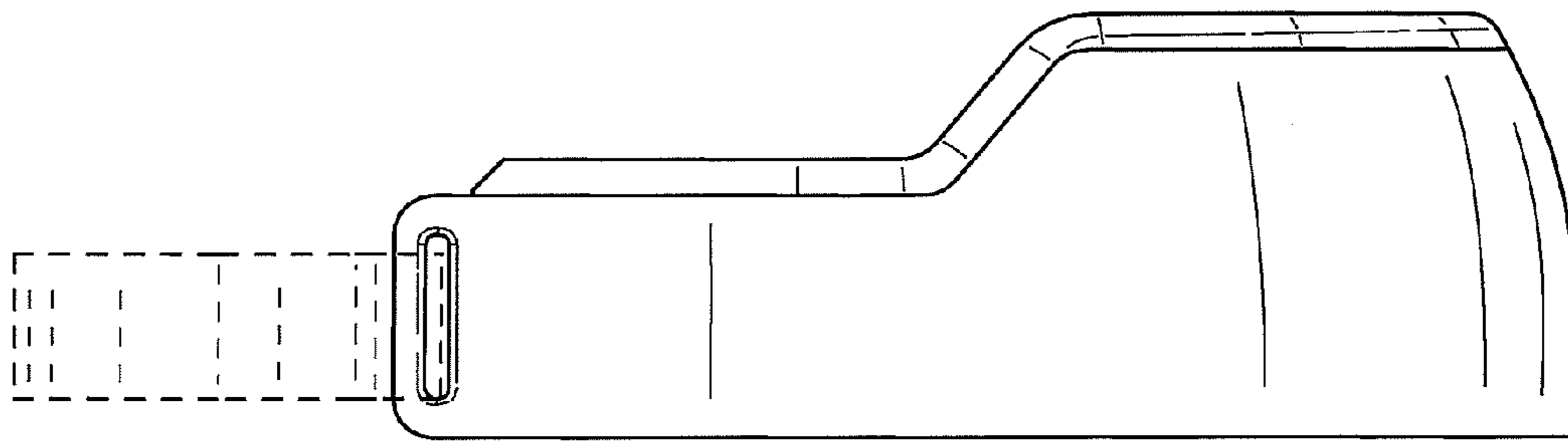


FIG. 3

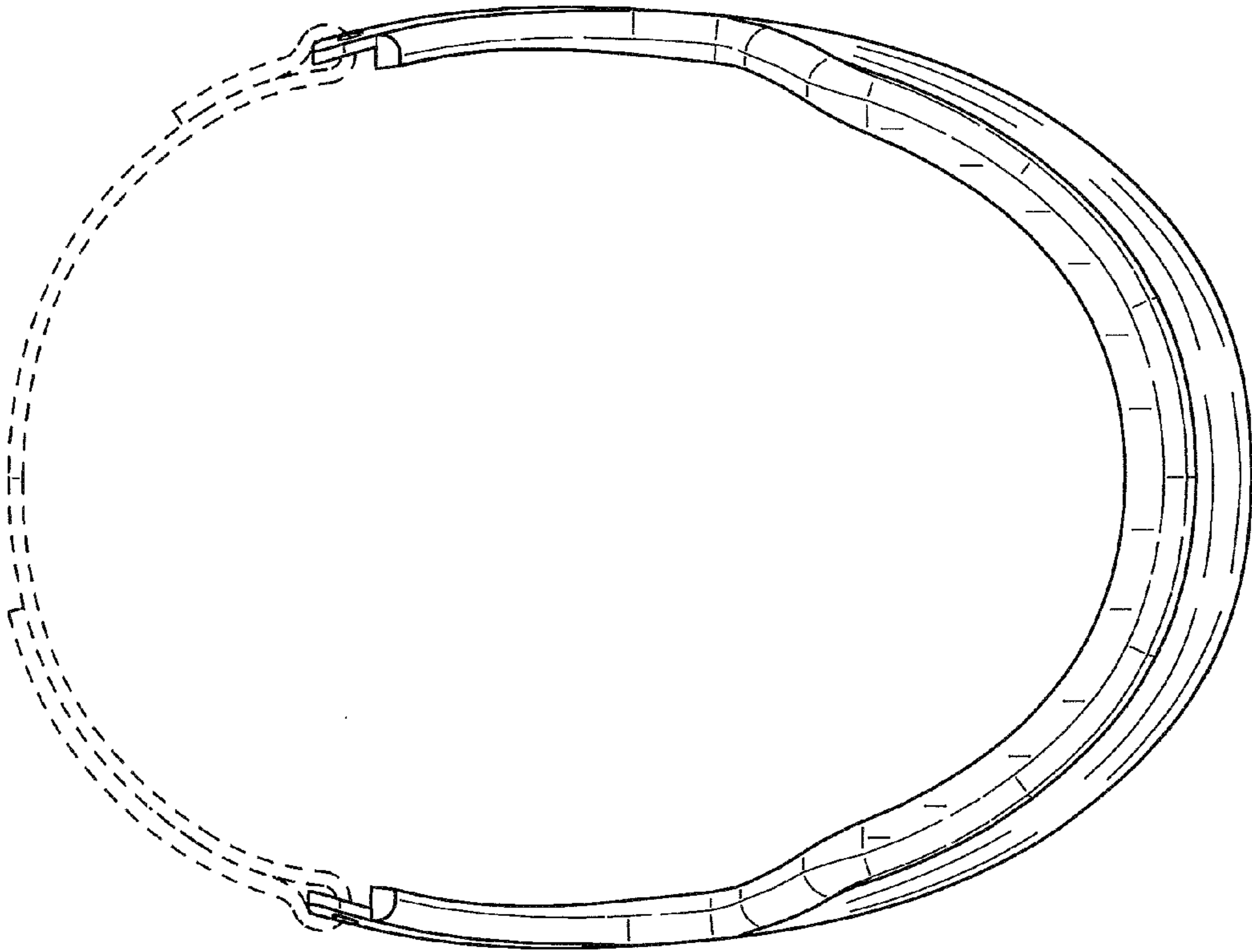


FIG. 4

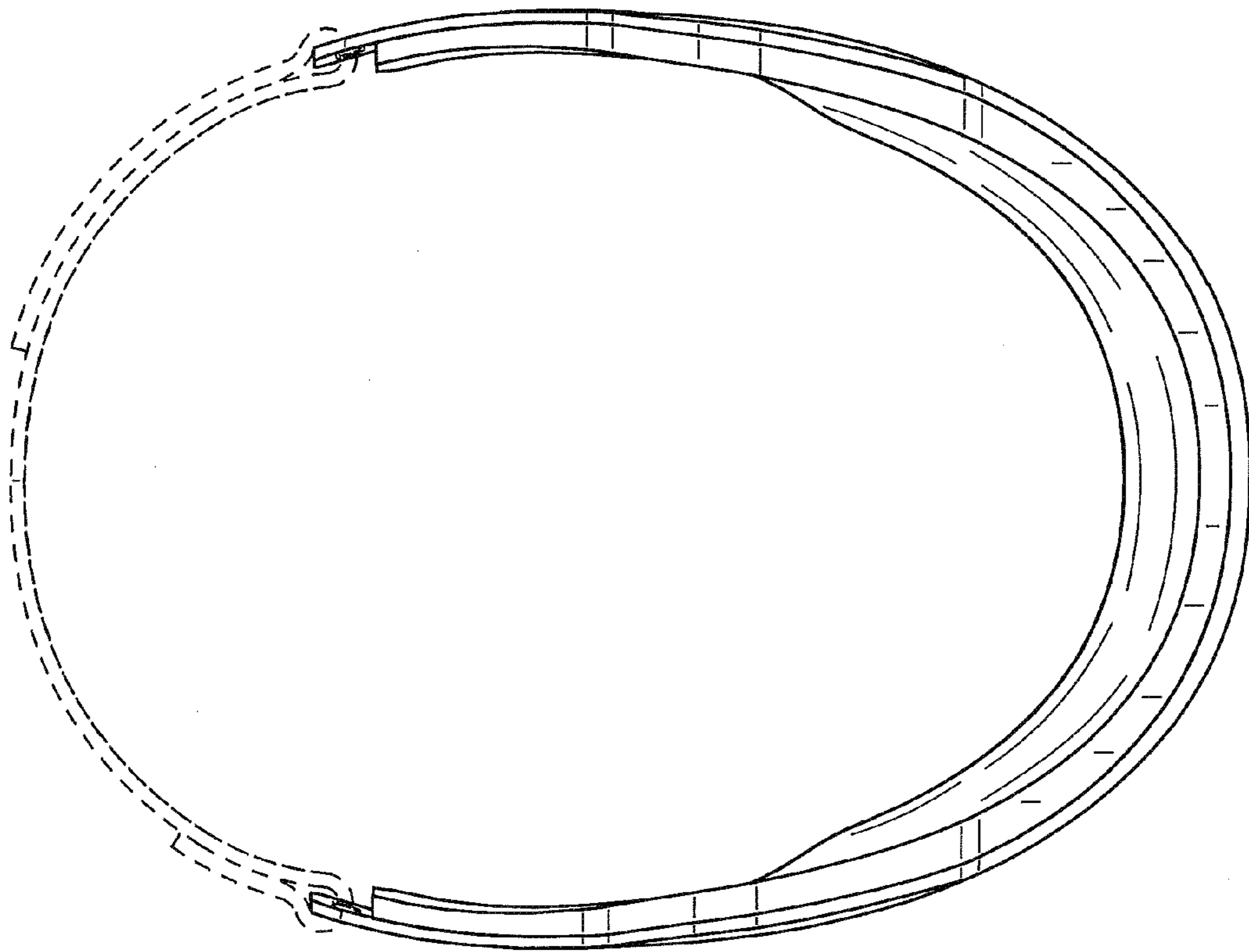


FIG. 5

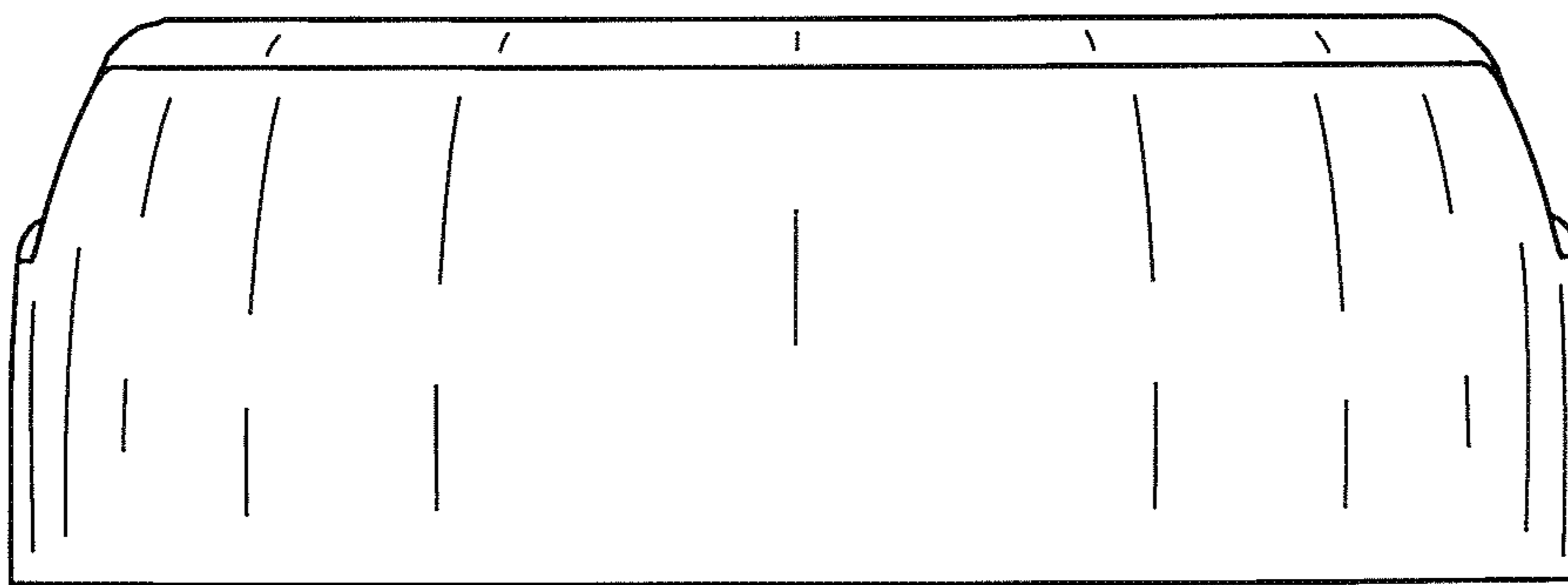


FIG. 6

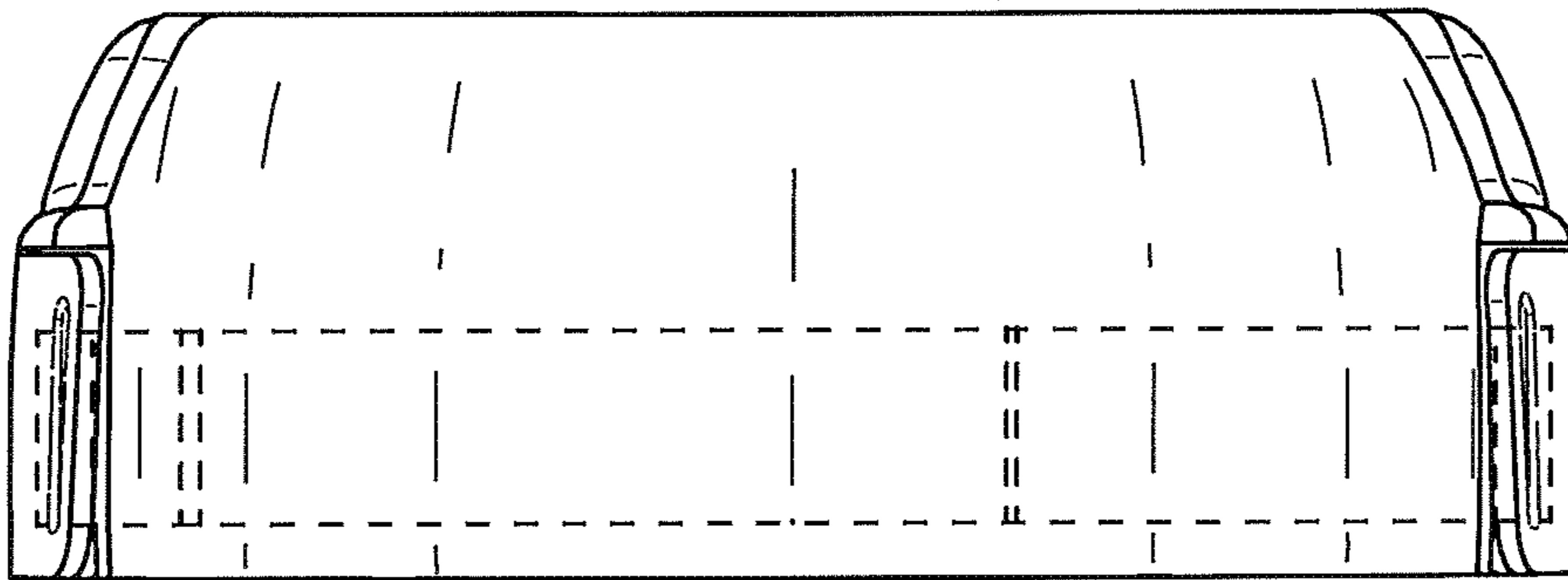


FIG. 7