



US00D765910S

(12) **United States Design Patent** (10) **Patent No.:** **US D765,910 S**  
**Bermudez et al.** (45) **Date of Patent:** **\*\* Sep. 6, 2016**

(54) **PORTABLE CURLING IRON**  
(71) Applicant: **Schawbel Technologies LLC**, Bedford, MA (US)  
(72) Inventors: **Omar Bermudez**, Bedford, MA (US); **Brendan Crawford**, Bedford, MA (US); **Steffen Koury**, Bedford, MA (US); **James McGee**, Bedford, MA (US); **Karl Winkler**, Bedford, MA (US)

(73) Assignee: **Schawbel Technologies LLC**, Burlington, MA (US)

(\*\*) Term: **14 Years**

(21) Appl. No.: **29/526,405**

(22) Filed: **May 8, 2015**

(51) **LOC (10) Cl.** ..... **28-03**

(52) **U.S. Cl.**  
USPC ..... **D28/35**

(58) **Field of Classification Search**  
USPC ..... D28/35, 37-38  
CPC ..... A45D 1/00-1/28; A45D 2/00-2/001; A45D 2002/006; A45D 2002/007; A45D 2/12-2/125; A45D 2/04; A45D 2/06; A45D 2/38; A45D 2/40; A45D 4/00-4/18; A45D 6/00-6/20; A45D 20/48-20/525  
See application file for complete search history.

(56) **References Cited**

**U.S. PATENT DOCUMENTS**

4,699,123	A	10/1987	Zaborowski
D300,606	S	4/1989	Schwabel et al.
D351,337	S	10/1994	Bonnema et al.
5,522,722	A	6/1996	Diederich
D389,953	S	1/1998	Seifert
D391,019	S	2/1998	Seifert
5,857,262	A	1/1999	Bonnema et al.
5,944,508	A	8/1999	Bonnema
6,033,212	A	3/2000	Bonnema et al.

6,176,596	B1	1/2001	Shukla et al.
6,235,983	B1	5/2001	Becker et al.
6,733,282	B2	5/2004	Long
D534,307	S	12/2006	Vu
D534,308	S	12/2006	Vu
D598,163	S	8/2009	Overend et al.
D598,164	S	8/2009	Overend et al.
7,879,501	B2	2/2011	Schaevitz et al.

(Continued)

**FOREIGN PATENT DOCUMENTS**

EP	1820247	A2	8/2007
KR	100539710	B1	12/2005
WO	2006054080	A2	5/2006

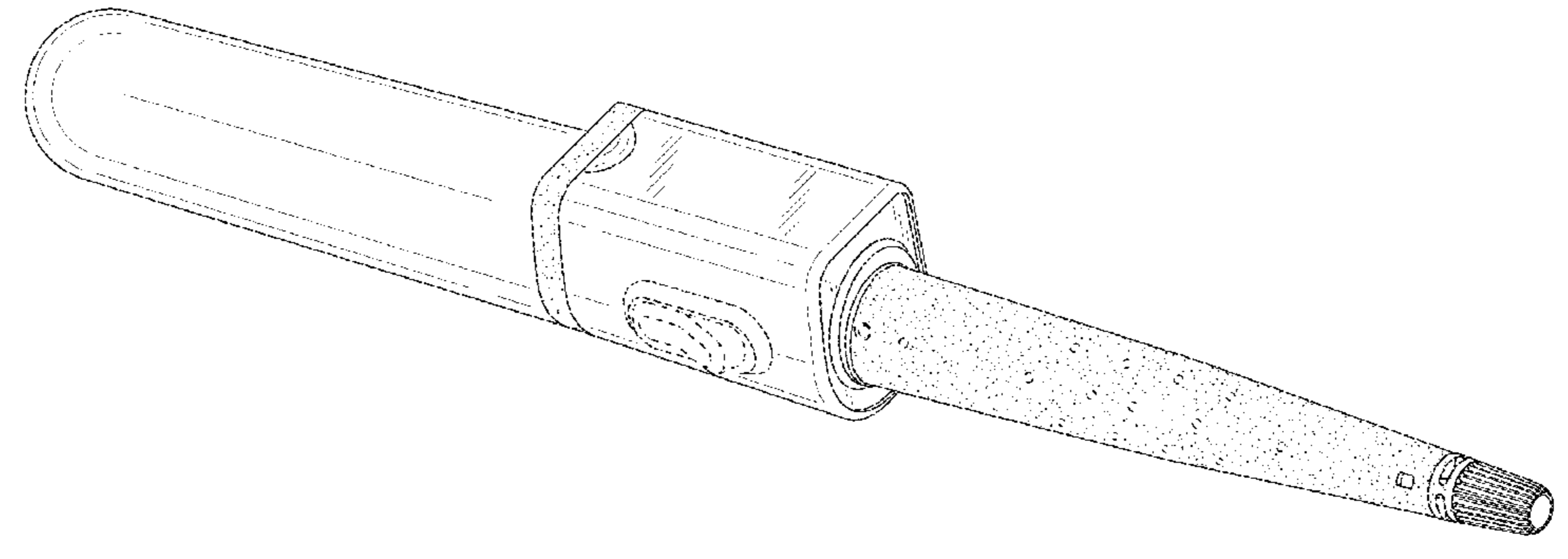
*Primary Examiner* — Jennifer Rivard  
(74) *Attorney, Agent, or Firm* — Brown Rudnick LLP

(57) **CLAIM**  
The ornamental design for a portable curling iron, as shown and described.

**DESCRIPTION**

FIG. 1 illustrates a top front perspective view of an embodiment of a portable curling iron employing an ornamental design in accordance with the present invention; FIG. 2 illustrates a front view of the portable curling iron of FIG. 1; FIG. 3 illustrates a back view of the portable curling iron of FIG. 1; FIG. 4 illustrates a right side view the portable curling iron of FIG. 1; FIG. 5 illustrates a left side view of the portable curling iron of FIG. 1; FIG. 6 illustrates a top view of the portable curling iron of FIG. 1; and, FIG. 7 illustrates a bottom view of the portable curling iron of FIG. 1. The broken lines are included for the purpose of illustrating unclaimed portions of the portable curling iron and form no part of the claimed design.

**1 Claim, 7 Drawing Sheets**



(56)

References Cited

U.S. PATENT DOCUMENTS

D651,343 S *	12/2011	Robson .....	D28/35	2004/0244810 A1	12/2004	Henninger et al.	
D658,330 S *	4/2012	Yue .....	D28/35	2008/0135537 A1*	6/2008	Suber .....	A45D 1/04 219/225
8,273,485 B2	9/2012	Schaevitz et al.		2011/0259356 A1*	10/2011	Barton .....	A45D 1/04 132/227
D672,500 S *	12/2012	Kim .....	D28/35	2012/0240955 A1*	9/2012	Kennedy .....	A45D 1/04 132/229
D672,501 S *	12/2012	Kim .....	D28/35	2014/0076349 A1*	3/2014	Deng .....	A45D 1/04 132/211
8,389,909 B2	3/2013	Wang et al.		2015/0335121 A1	11/2015	Floessholzer et al.	
D698,489 S *	1/2014	Byun .....	D28/35				

\* cited by examiner

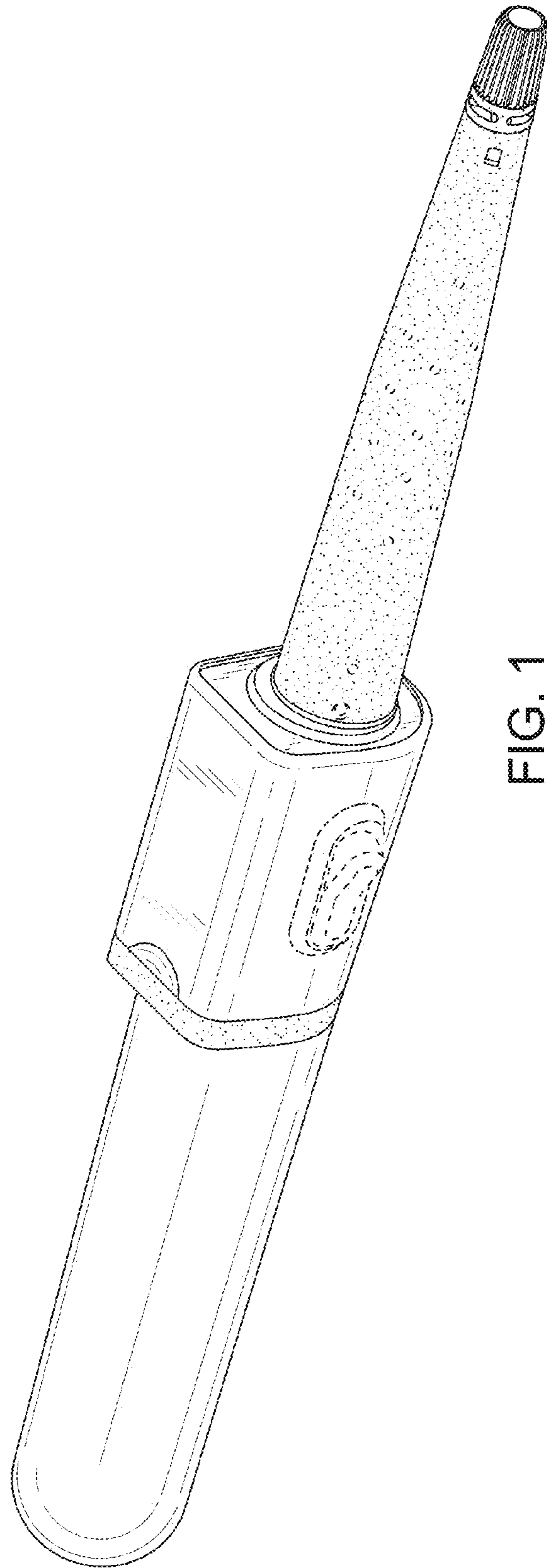


FIG. 1

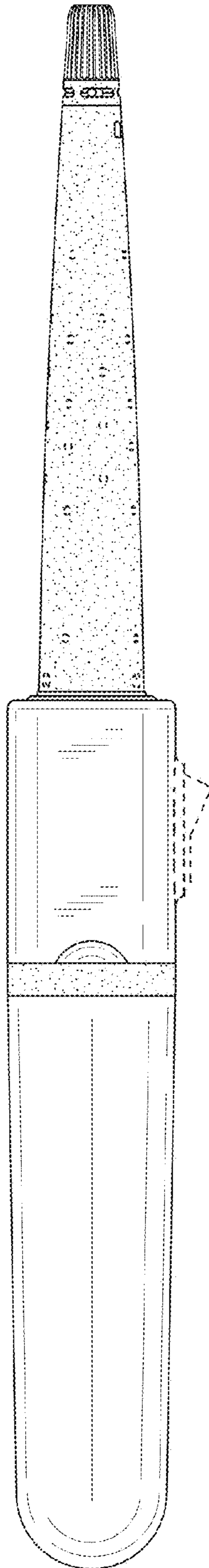


FIG. 2

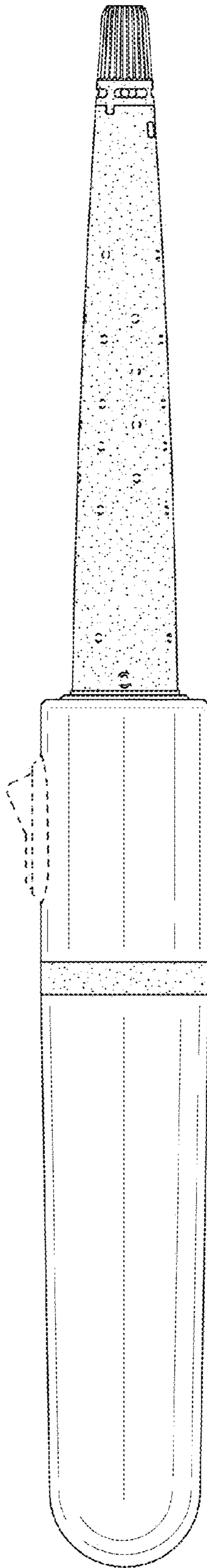


FIG. 3

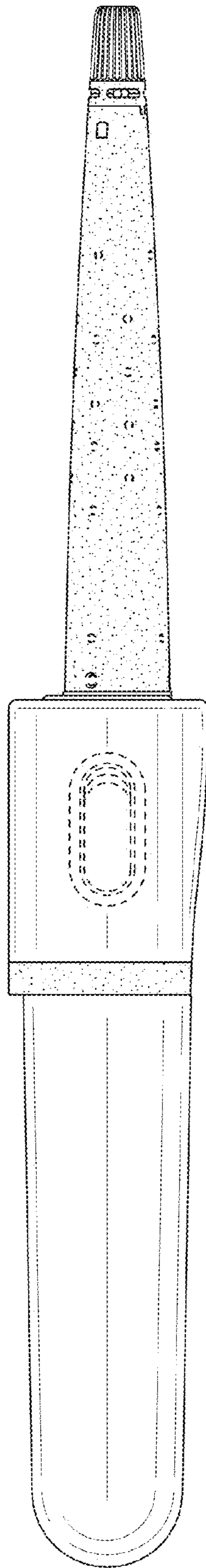


FIG. 4



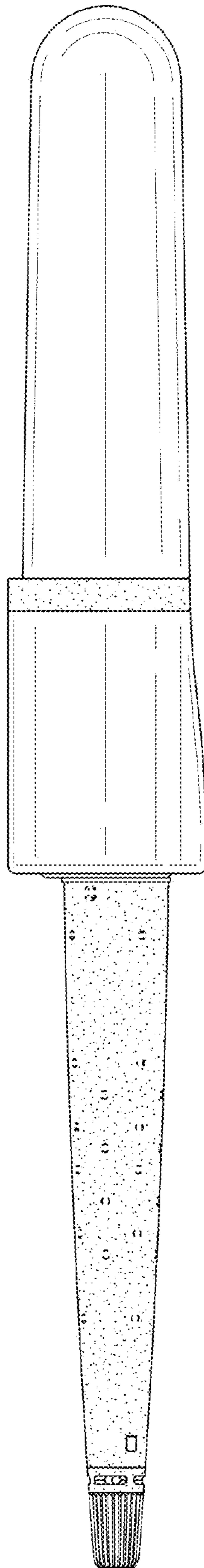


FIG. 5

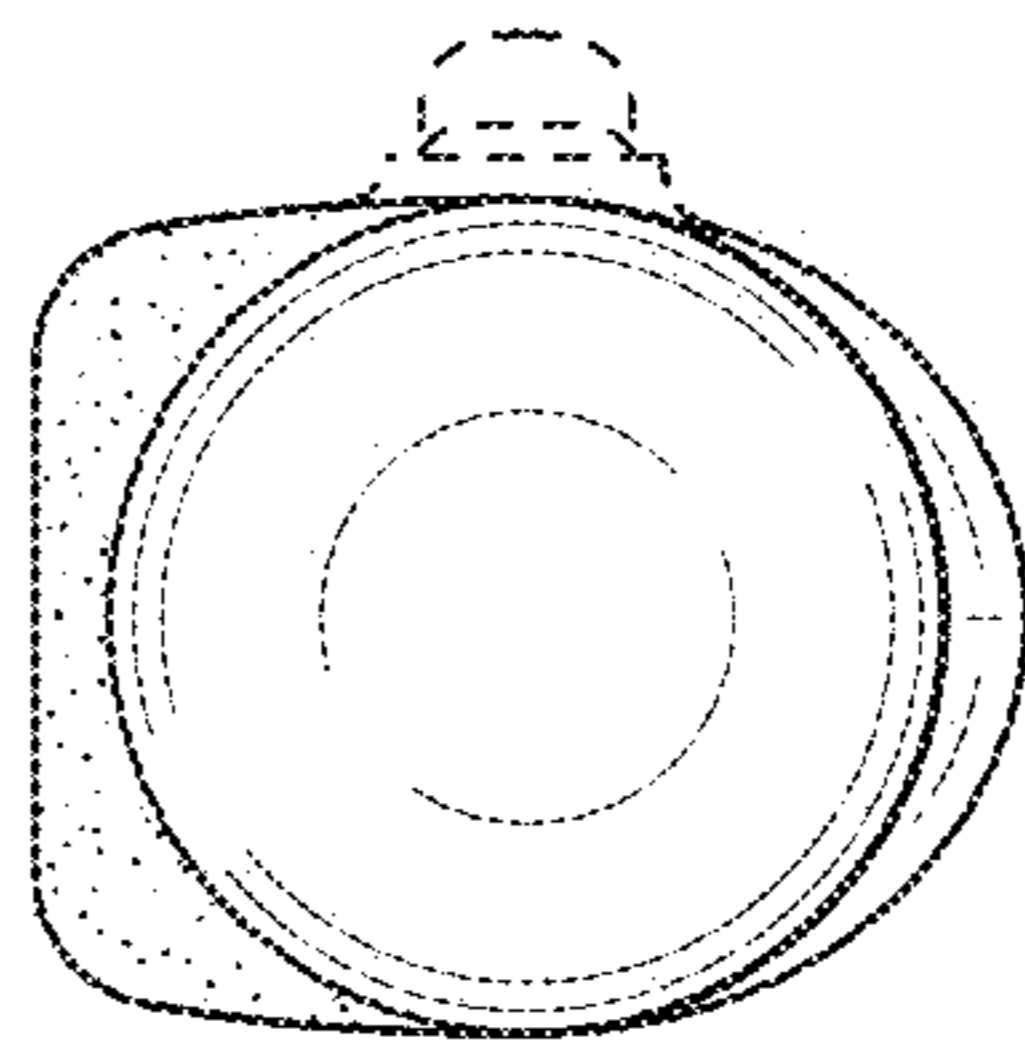


FIG. 6



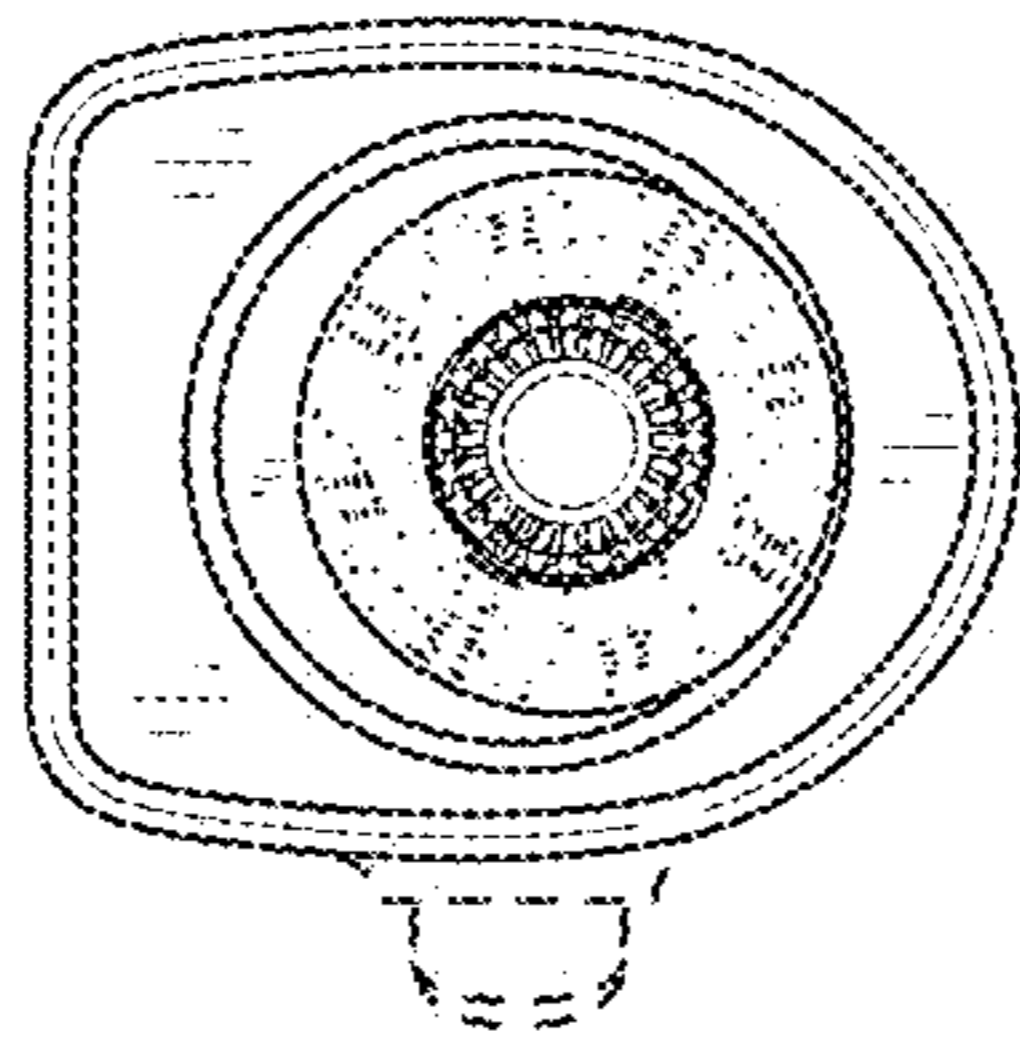


FIG. 7