



US00D765908S

(12) **United States Design Patent**
Zahr et al.

(10) **Patent No.:** **US D765,908 S**

(45) **Date of Patent:** **** Sep. 6, 2016**

(54) **E-LIQUID DISPENSER AND BOTTLE COMBINATION**

(71) Applicant: **RETRO BRANDS, LLC**, Foothill Ranch, CA (US)

(72) Inventors: **Rabih Zahr**, Silverado, CA (US); **Shady Makarem**, Aliso Viejo, CA (US); **Nedal Makarem**, Rancho Santa Margarita, CA (US)

(73) Assignee: **Retro Brands, LLC**, Foothill Ranch, CA (US)

(**) Term: **14 Years**

(21) Appl. No.: **29/477,434**

(22) Filed: **Dec. 20, 2013**

(51) **LOC (10) Cl.** **27-06**

(52) **U.S. Cl.**
USPC **D27/187**; D27/189

(58) **Field of Classification Search**
USPC D27/100, 139, 141-143, 146-148, D27/150-161, 172, 183, 186-187, 189-191, D27/194; 431/153; D9/529, 517, 417, 420, D9/421, 523; 131/329
CPC F23D 11/36; B65D 51/18
See application file for complete search history.

(56) **References Cited**

U.S. PATENT DOCUMENTS

| | | | | |
|--------------|---------|-----------|-------|------------|
| 697,601 A * | 4/1902 | Biren | | A24F 27/00 |
| | | | | 206/102 |
| D134,173 S * | 10/1942 | Kanter | | 248/205.5 |
| D168,121 S * | 11/1952 | Rachel | | 206/236 |
| D196,934 S * | 11/1963 | Grushon | | D10/68 |
| D205,085 S * | 6/1966 | Goessling | | D27/161 |
| D218,281 S * | 8/1970 | Diener | | D9/523 |
| D228,037 S * | 7/1973 | Wood | | D27/187 |
| D228,039 S * | 7/1973 | Wood | | D27/187 |
| D229,519 S * | 12/1973 | Wood | | D14/155 |

| | | | | |
|--------------|---------|-------------------|-------|----------|
| D249,870 S * | 10/1978 | Tillander | | D27/188 |
| D326,339 S * | 5/1992 | Sherman | | D28/66 |
| D328,431 S * | 8/1992 | Skidmore | | D9/417 |
| D338,336 S * | 8/1993 | Grant | | D27/161 |
| 5,348,194 A | 9/1994 | Mascitelli et al. | | |
| D462,139 S * | 8/2002 | Sagmeister | | D27/189 |
| D499,019 S * | 11/2004 | Sagmeister | | D9/418 |
| D554,510 S * | 11/2007 | Dorn | | D9/523 |
| D567,646 S * | 4/2008 | Ballard | | D9/415 |
| D571,216 S * | 6/2008 | Christian | | D9/523 |
| D578,302 S * | 10/2008 | Arvidsson | | D3/203.2 |
| D586,656 S * | 2/2009 | Mount | | D9/417 |
| D613,609 S * | 4/2010 | Pok | | D9/529 |
| D618,391 S * | 6/2010 | Moore | | D27/172 |
| D622,901 S * | 8/2010 | Smith | | D27/141 |
| D653,391 S * | 1/2012 | Chuan | | D27/156 |
| D668,140 S * | 10/2012 | Collins | | D9/423 |
| D668,533 S * | 10/2012 | Collins | | D9/423 |
| D668,535 S * | 10/2012 | Collins | | D9/423 |
| D723,373 S * | 3/2015 | Wahl | | D9/449 |
| D732,394 S * | 6/2015 | DeMarco | | D9/444 |

(Continued)

Primary Examiner — Susan Bennett Hattan

Assistant Examiner — Janice Hallmark

(74) *Attorney, Agent, or Firm* — Hankin Patent Law, APC; Jimmy Sauz; Kevin Schraven

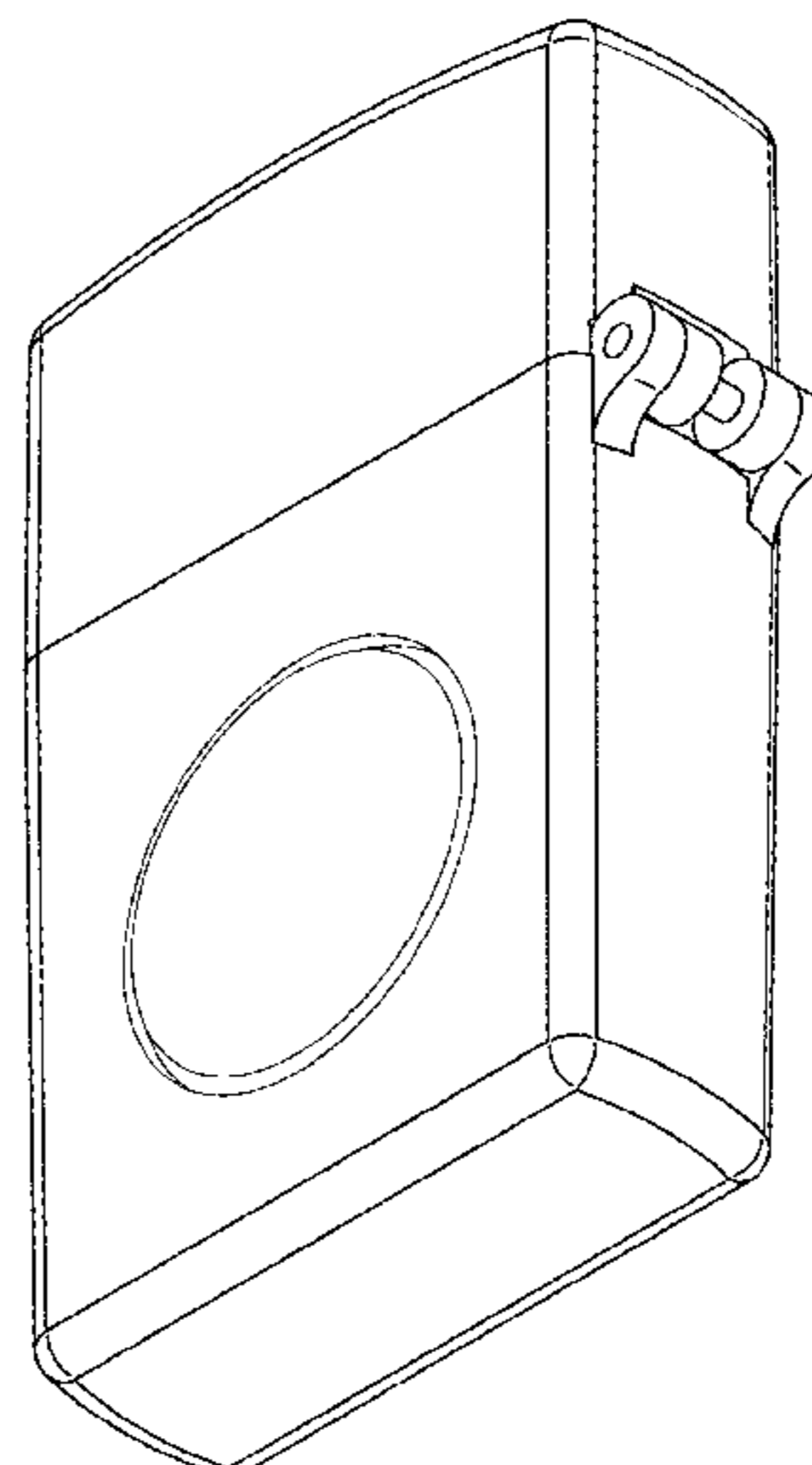
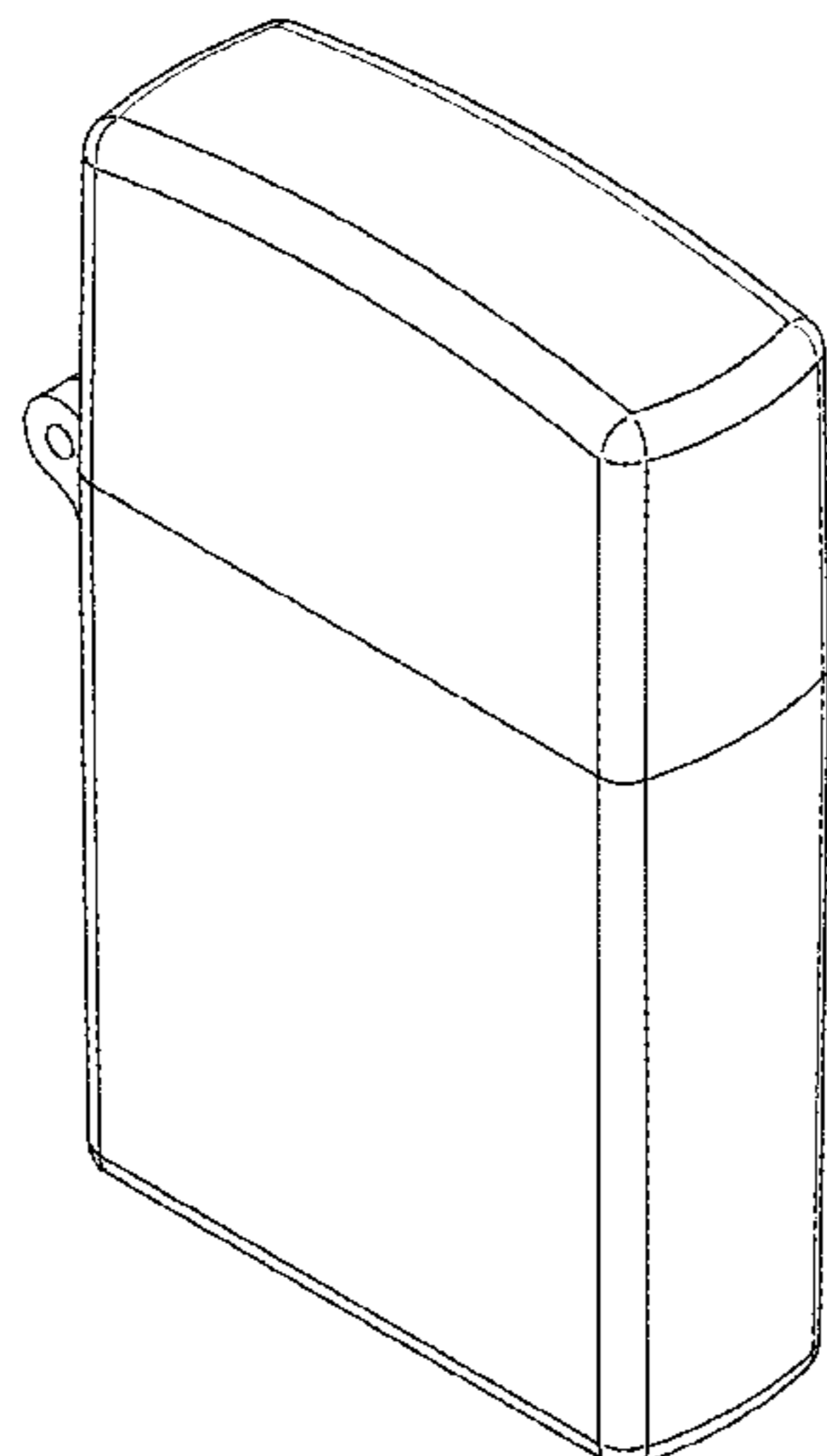
(57) **CLAIM**

We claim the ornamental design for an e-liquid dispenser and bottle combination, as shown and described.

DESCRIPTION

FIG. 1 is a front side perspective view of an e-liquid dispenser and bottle combination, showing our new design. FIG. 2 is a back side perspective view thereof. FIG. 3 is a front elevational view thereof. FIG. 4 is a rear elevational view thereof. FIG. 5 is a left elevational side view thereof. FIG. 6 is a right elevational side view thereof. FIG. 7 is a top plan view thereof; and, FIG. 8 is a bottom plan view thereof.

1 Claim, 4 Drawing Sheets



US D765,908 S

Page 2

(56)

References Cited

U.S. PATENT DOCUMENTS

D736,455 S * 8/2015 Liu D27/189
D738,570 S * 9/2015 VanNostran D27/144

2005/0211241 A1 9/2005 Anderson et al.
2012/0114819 A1 5/2012 Ragnarsson et al.
2012/0167906 A1 7/2012 Gysland
2012/0227753 A1 9/2012 Newton

* cited by examiner

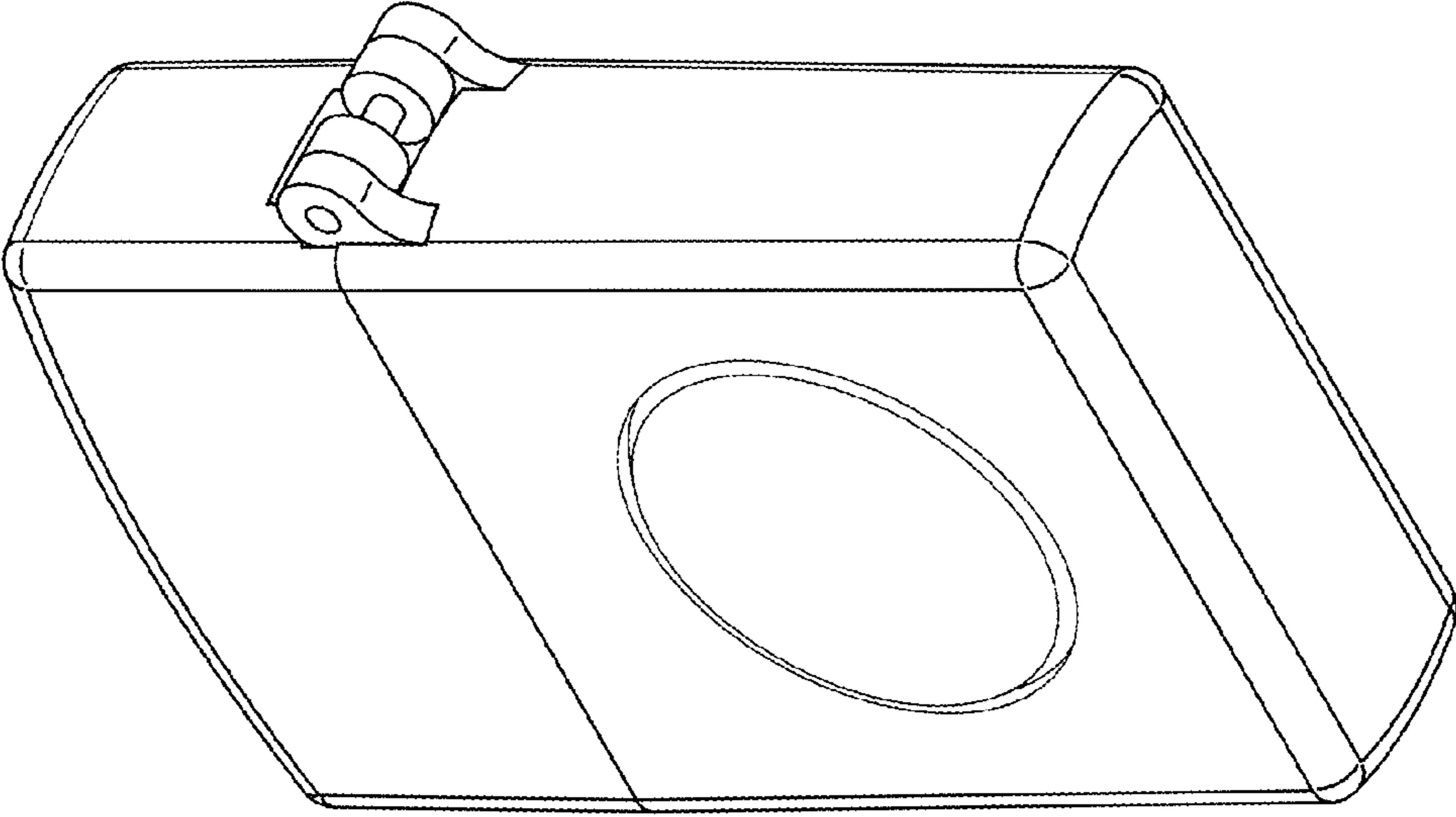


FIG. 1

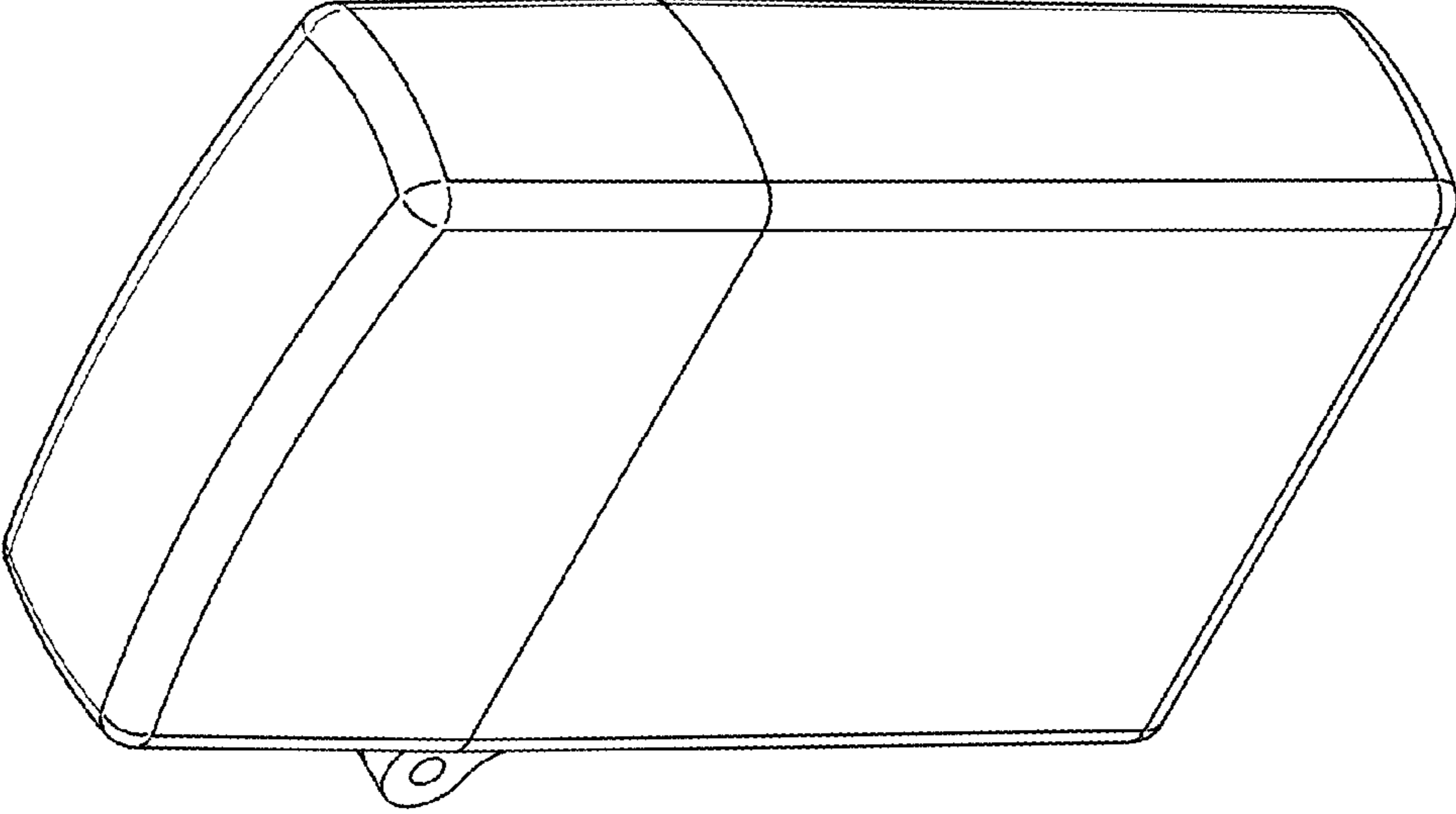


FIG. 2

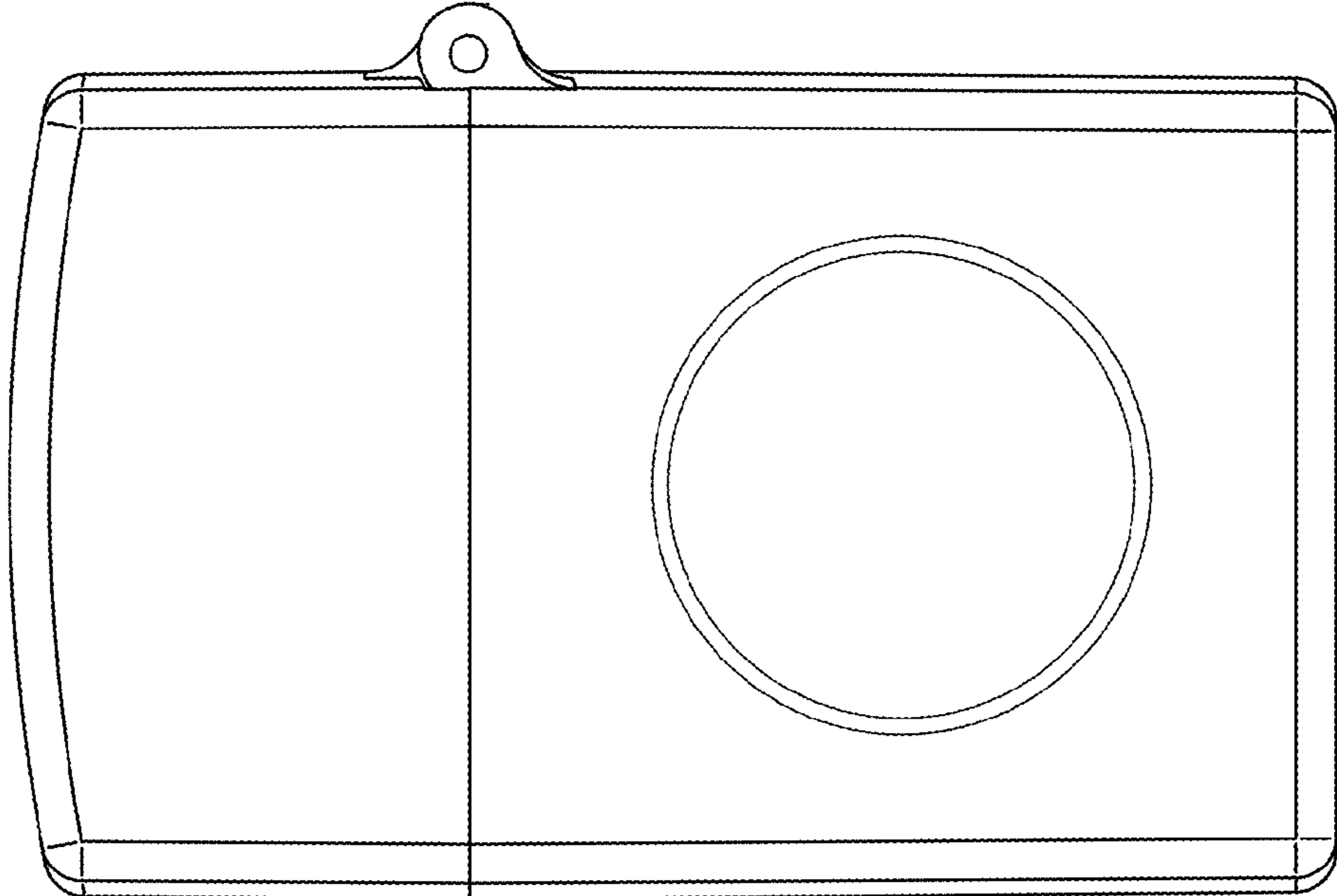


FIG. 4

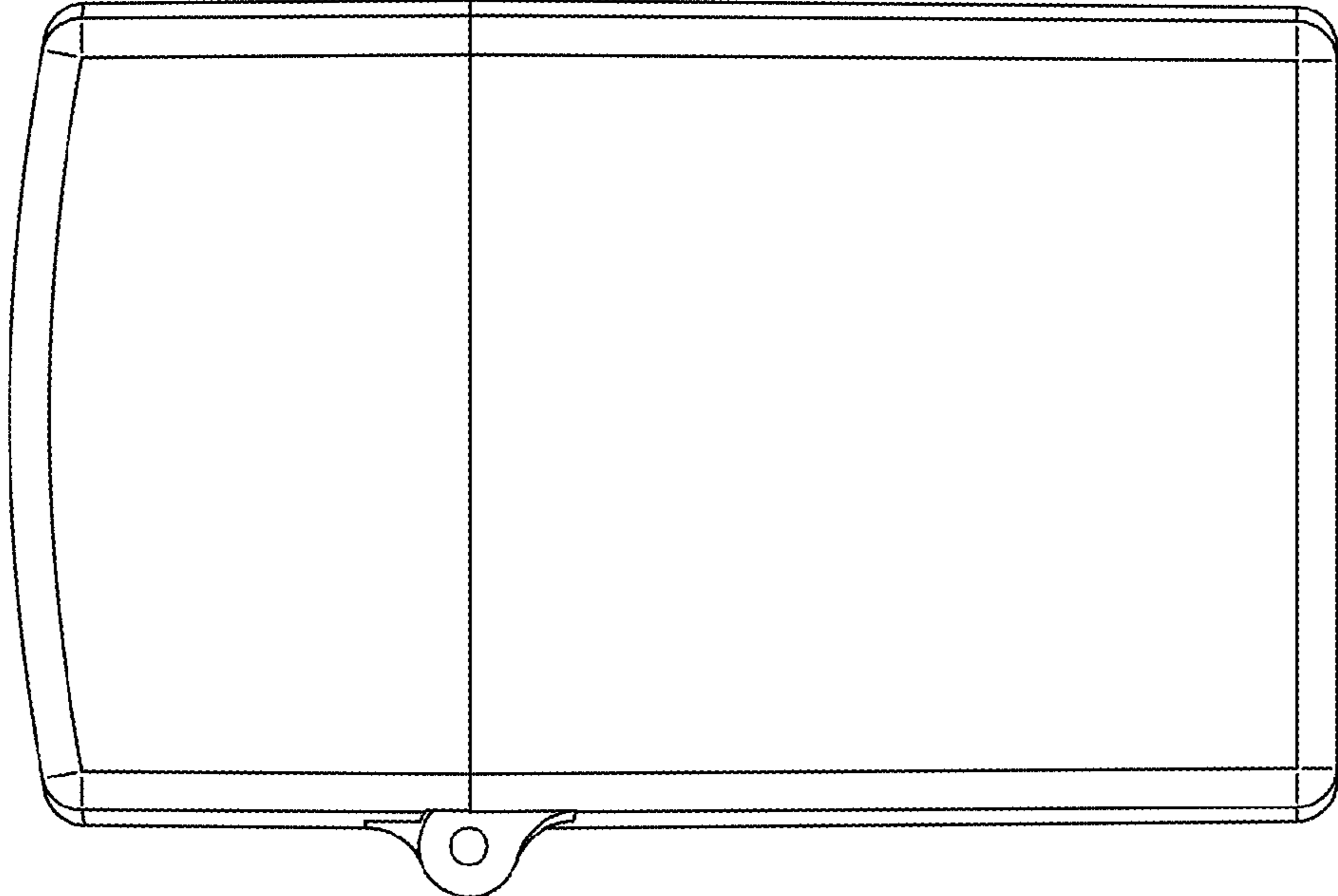


FIG. 3

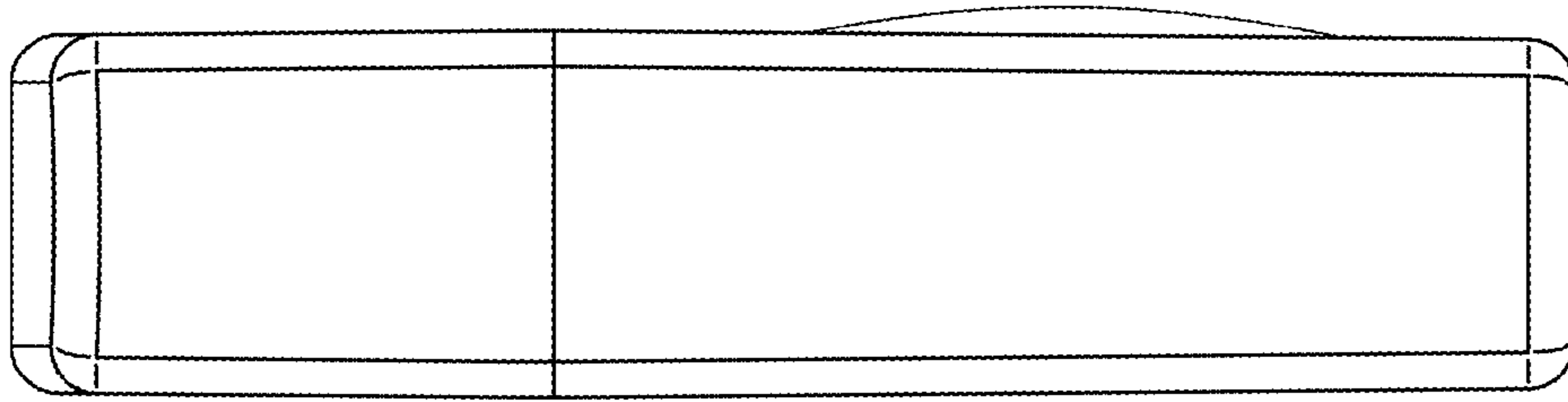


FIG. 6

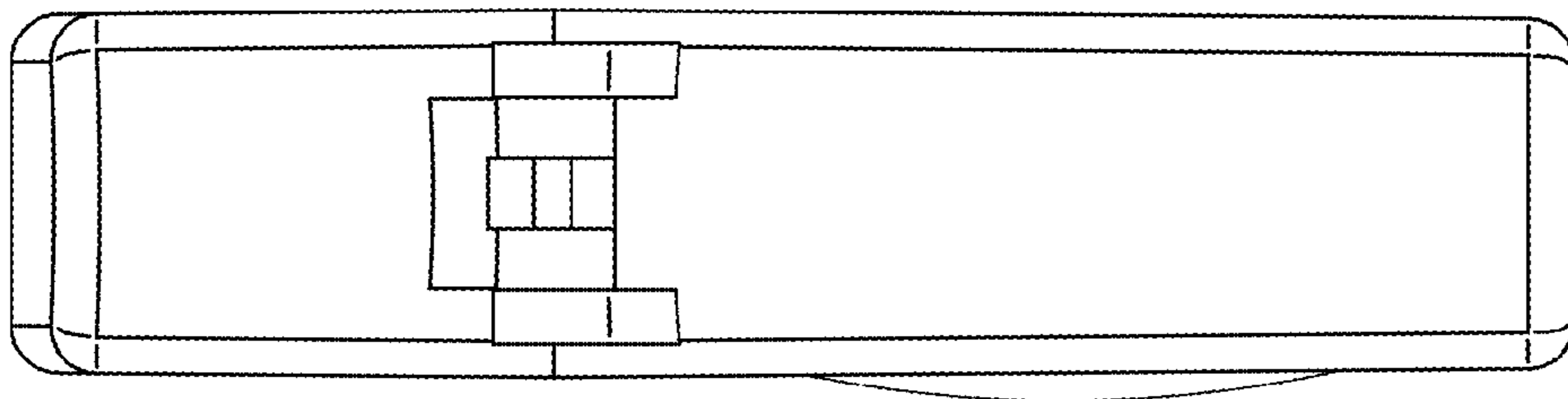


FIG. 5

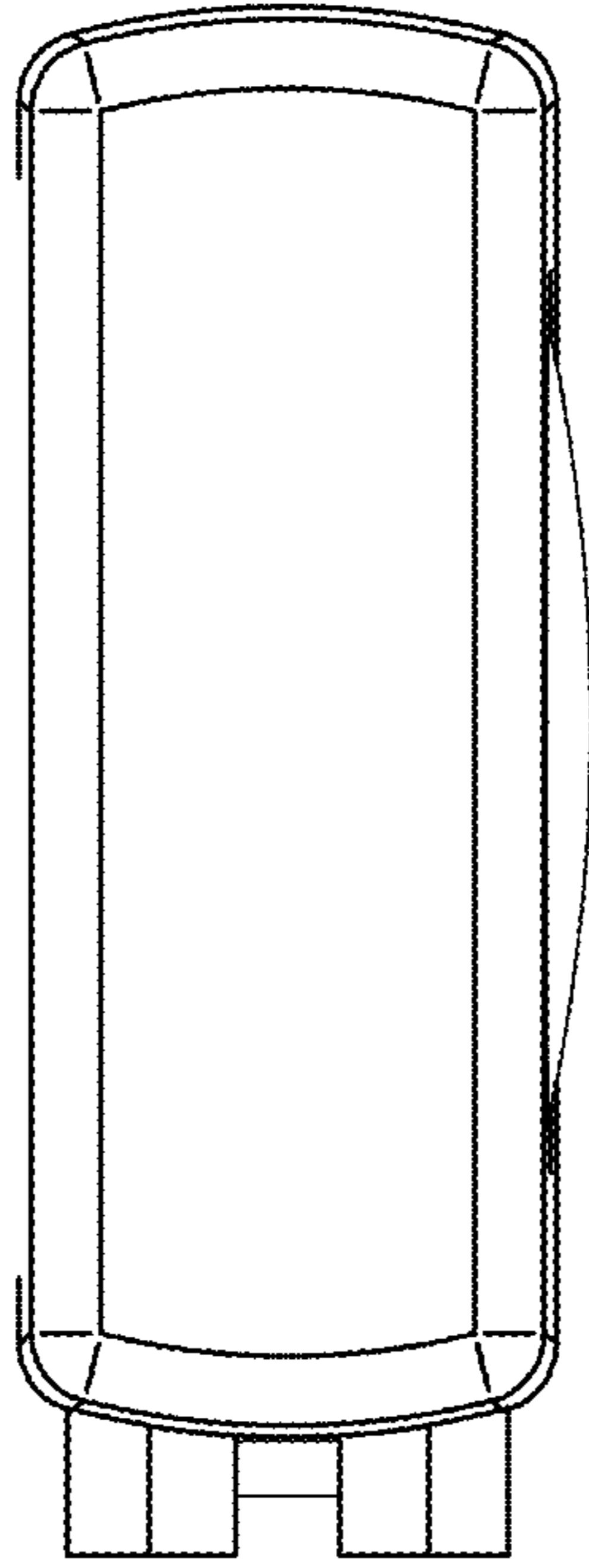


FIG. 8

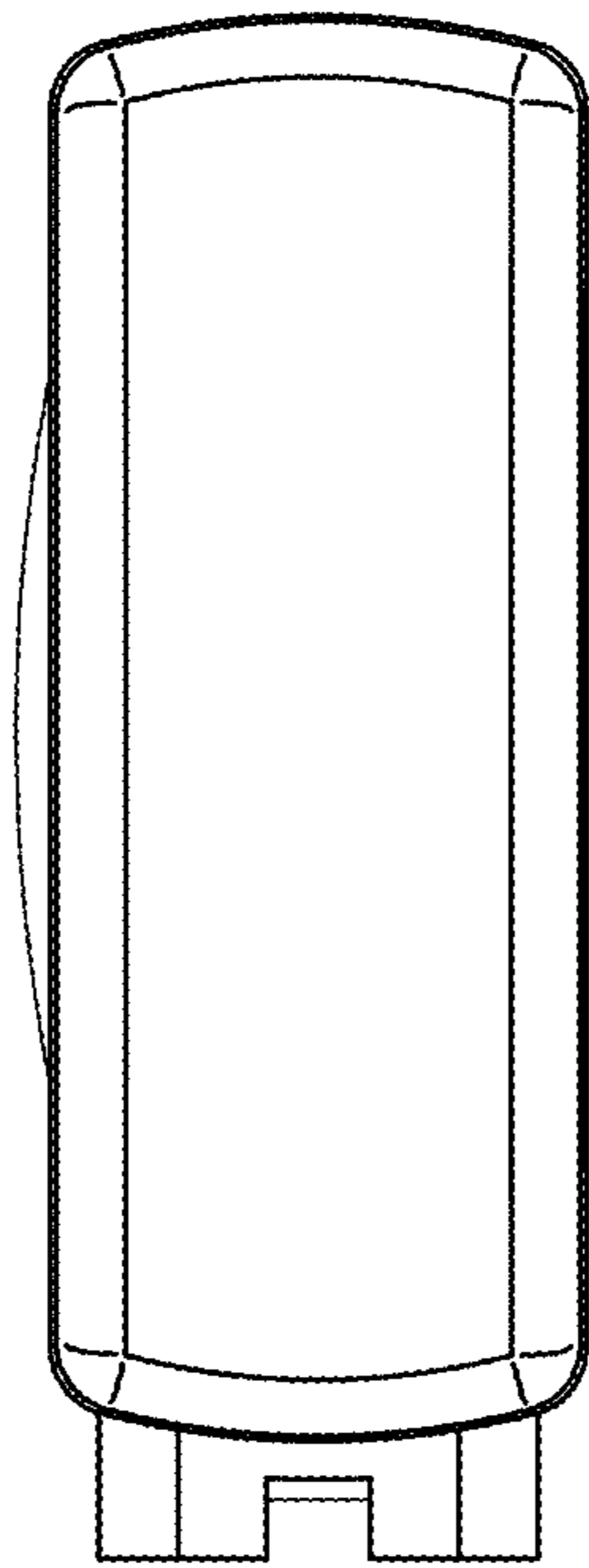


FIG. 7