



US00D765907S

(12) **United States Design Patent** (10) **Patent No.:** **US D765,907 S**  
**Liu** (45) **Date of Patent:** **\*\* Sep. 6, 2016**

(54) **ELECTRONIC CIGARETTE**  
(71) Applicant: **Qiuming Liu**, Guangdong (CN)  
(72) Inventor: **Qiuming Liu**, Guangdong (CN)  
(\*\*) Term: **14 Years**  
(21) Appl. No.: **29/500,409**  
(22) Filed: **Aug. 25, 2014**

(30) **Foreign Application Priority Data**

Feb. 25, 2014 (CN) ..... 2014 3 0034368

(51) **LOC (10) Cl.** ..... **27-01**

(52) **U.S. Cl.**  
USPC ..... **D27/101**

(58) **Field of Classification Search**  
USPC ..... D27/100, 101, 162, 165, 194; 131/270,  
131/271, 273, 329, 330, 347, 348, 360  
CPC ..... A24F 1/28; A24F 1/30; A24F 25/00;  
A24F 47/002; A24F 47/004; A24F 47/006;  
A24F 47/008; A24B 1/00  
See application file for complete search history.

(56) **References Cited**

**U.S. PATENT DOCUMENTS**

5,893,371 A \* 4/1999 Rose ..... A24F 47/002  
131/270  
D644,375 S \* 8/2011 Zhou ..... D27/101  
D688,415 S \* 8/2013 Kim ..... D27/101  
D693,053 S \* 11/2013 Chen ..... D27/101  
D695,450 S \* 12/2013 Benassayag ..... D24/110.5  
D720,094 S \* 12/2014 Alima ..... D27/101  
D720,881 S \* 1/2015 Liu ..... D27/101  
8,955,522 B1 \* 2/2015 Bowen ..... A24F 47/008  
128/202.21  
D724,782 S \* 3/2015 Wu ..... D27/101  
D728,155 S \* 4/2015 Liu ..... D27/101  
D728,156 S \* 4/2015 Wu ..... D27/101  
D729,441 S \* 5/2015 Hua ..... D27/101  
D730,571 S \* 5/2015 Chen ..... D27/101

(Continued)

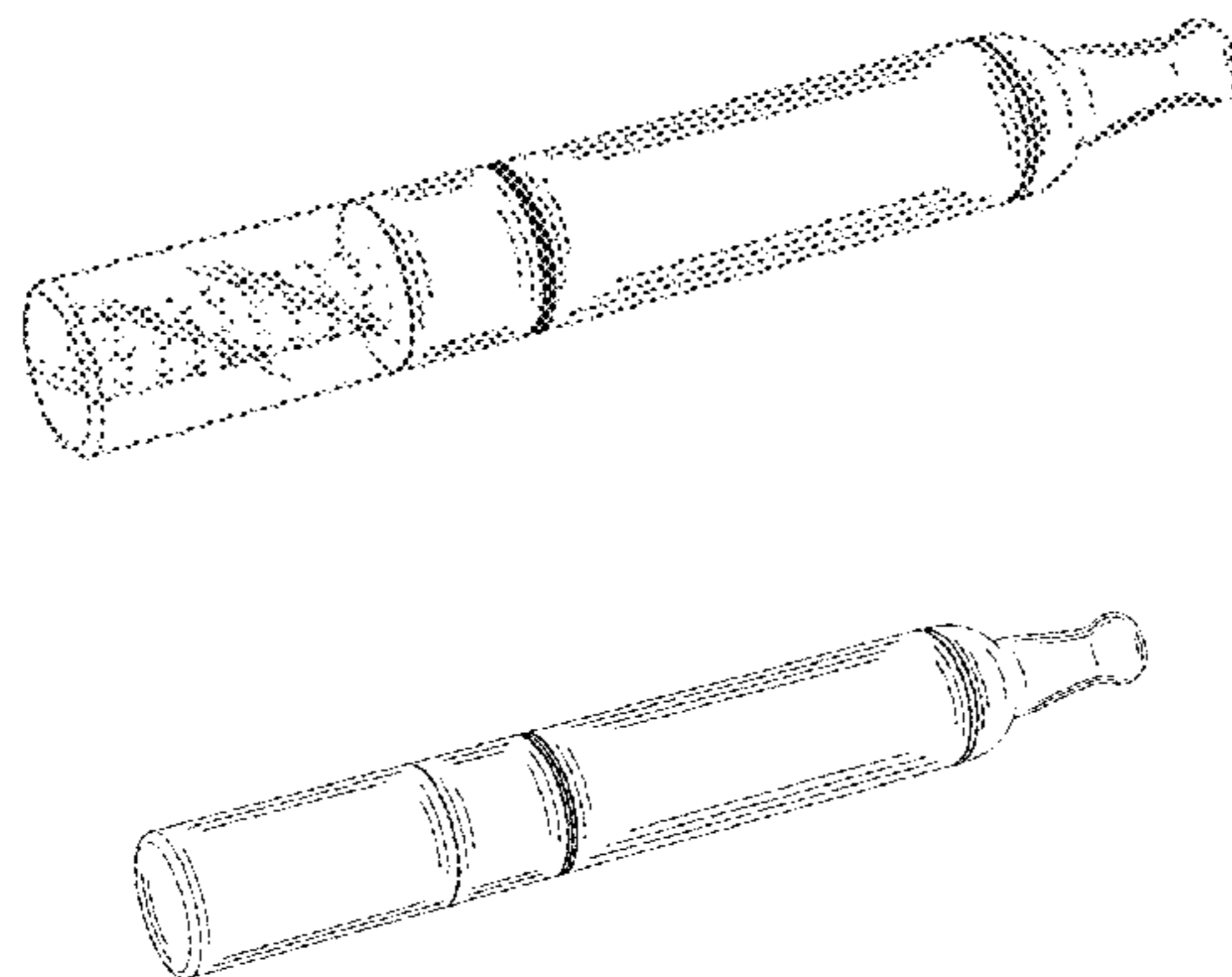
*Primary Examiner* — Rosemary K Tarcza  
*Assistant Examiner* — Christy Nemeth  
(74) *Attorney, Agent, or Firm* — Tim Tingkang Xia, Esq.;  
Locke Lord LLP

(57) **CLAIM**  
The ornamental design for an electronic cigarette, as shown and described.

**DESCRIPTION**

FIG. 1 is a front elevation view of a first embodiment of an electronic cigarette;  
FIG. 2 is a rear elevation view of the first embodiment of the electronic cigarette;  
FIG. 3 is a left side elevation view of the first embodiment of the electronic cigarette;  
FIG. 4 is a right side elevation view of the first embodiment of the electronic cigarette;  
FIG. 5 is a top plan view of the first embodiment of the electronic cigarette;  
FIG. 6 is a bottom plan view of the first embodiment of the electronic cigarette;  
FIG. 7 is a perspective view of the first embodiment of the electronic cigarette;  
FIG. 8 is a front elevation view of a second embodiment of the electronic cigarette;  
FIG. 9 is a rear elevation view of the second embodiment of the electronic cigarette;  
FIG. 10 is a left side elevation view of the second embodiment of the electronic cigarette;  
FIG. 11 is a right side elevation view of the second embodiment of the electronic cigarette;  
FIG. 12 is a top plan view of the second embodiment of the electronic cigarette;  
FIG. 13 is a bottom plan view of the second embodiment of the electronic cigarette; and,  
FIG. 14 is a perspective view of the second embodiment of the electronic cigarette.  
The broken lines shown in the drawings are included for the purpose of illustrating environmental structure and form no part of the claimed design.

**1 Claim, 12 Drawing Sheets**



(56)

References Cited

U.S. PATENT DOCUMENTS

D732,239 S \* 6/2015 Chen ..... D27/101  
2013/0068239 A1\* 3/2013 Youn ..... A24F 47/008  
131/273  
2013/0180533 A1\* 7/2013 Kim ..... A24F 47/008  
131/273  
2013/0319407 A1\* 12/2013 Liu ..... A61M 15/06  
128/202.21  
2013/0333711 A1\* 12/2013 Liu ..... A24F 47/008  
131/329  
2014/0041655 A1\* 2/2014 Barron ..... A61M 11/042  
128/202.21  
2014/0174458 A1\* 6/2014 Katz ..... A24F 47/008  
131/200  
2015/0078735 A1\* 3/2015 Cormack ..... A24F 47/00  
392/395

2015/0090253 A1\* 4/2015 Farrow ..... A24F 47/008  
128/200.14  
2015/0181944 A1\* 7/2015 Li ..... A24F 47/008  
131/329  
2015/0189916 A1\* 7/2015 Wu ..... A24F 47/008  
219/510  
2015/0196062 A1\* 7/2015 Li ..... A24F 47/008  
131/329  
2015/0257449 A1\* 9/2015 Gabbay ..... A24F 47/008  
392/386  
2015/0282528 A1\* 10/2015 Liu ..... A24F 47/008  
131/329  
2015/0282529 A1\* 10/2015 Li ..... A24F 47/008  
131/273  
2015/0282530 A1\* 10/2015 Johnson ..... A24F 47/002  
392/387

\* cited by examiner

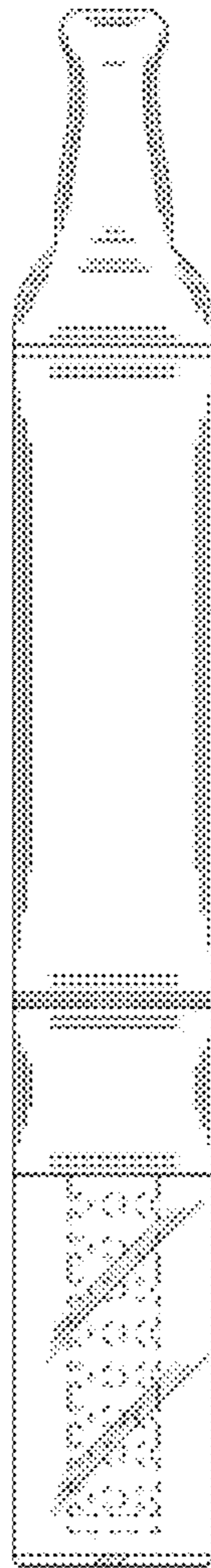


Fig. 1

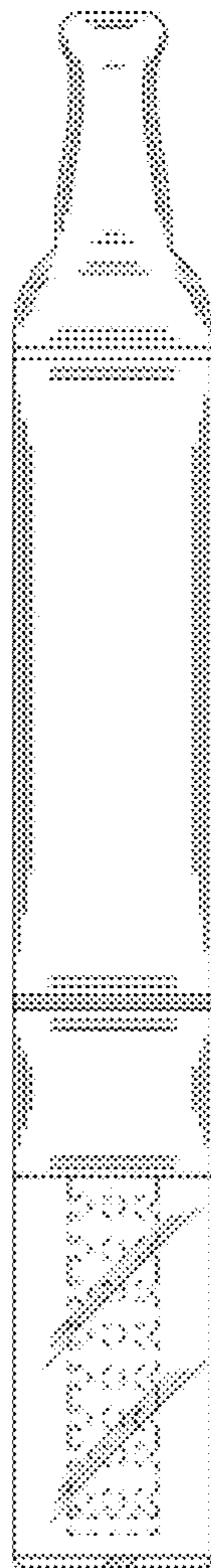


Fig. 2

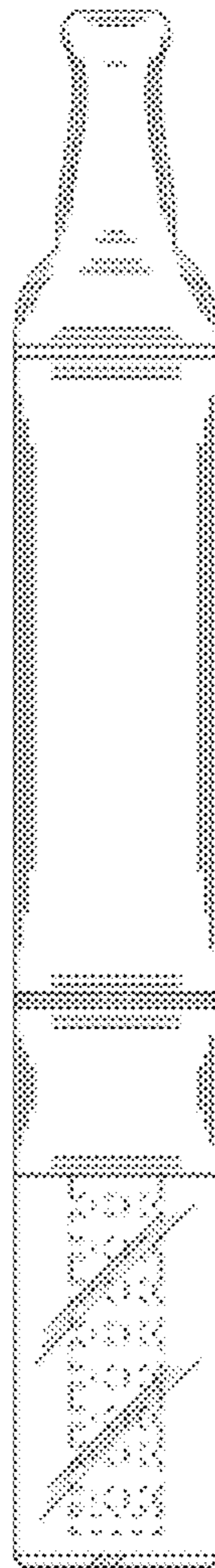


Fig. 3

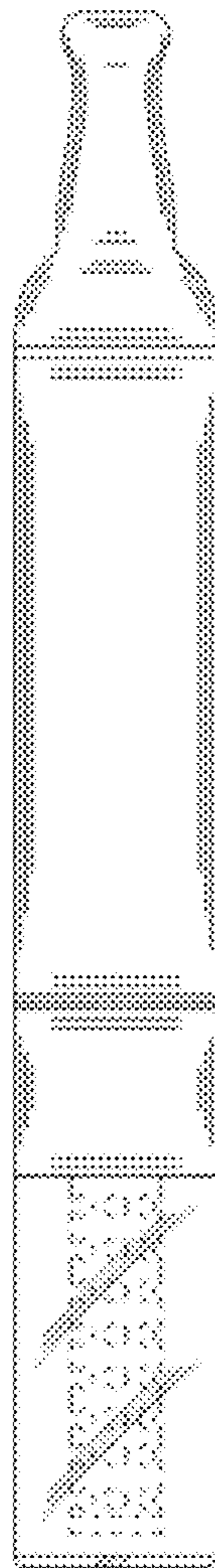


Fig. 4

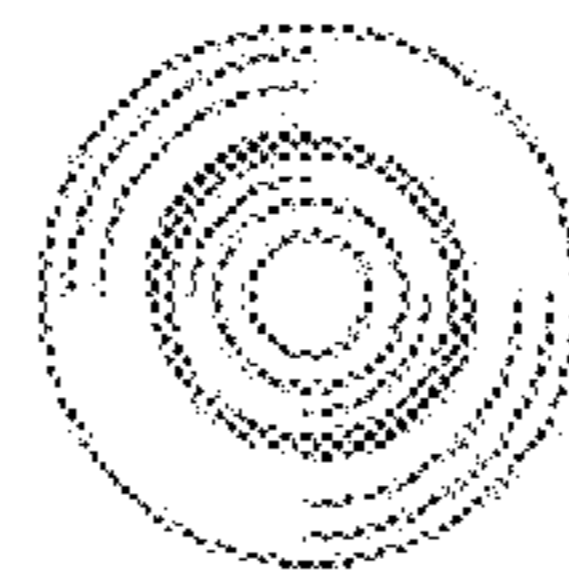


Fig. 5

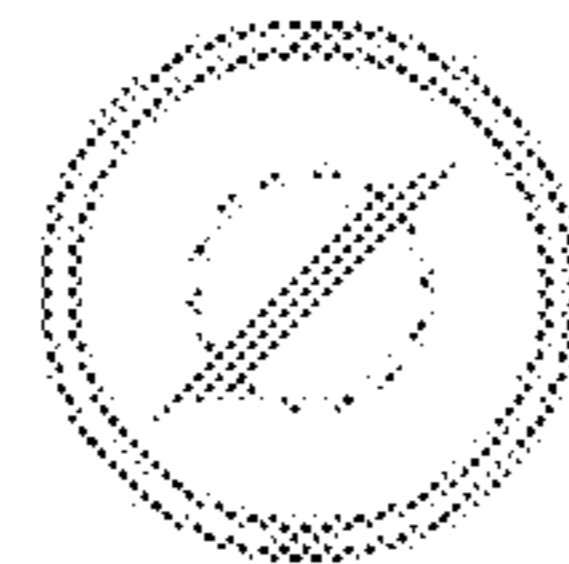


Fig. 6



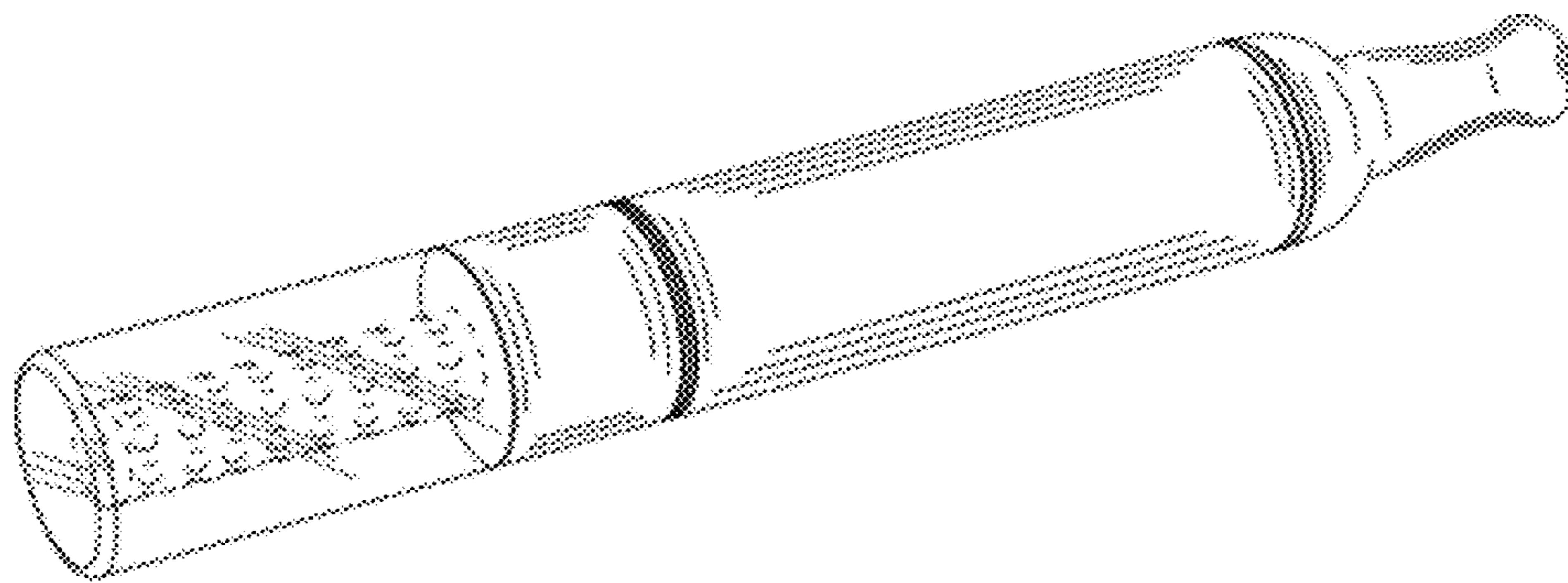


Fig. 7



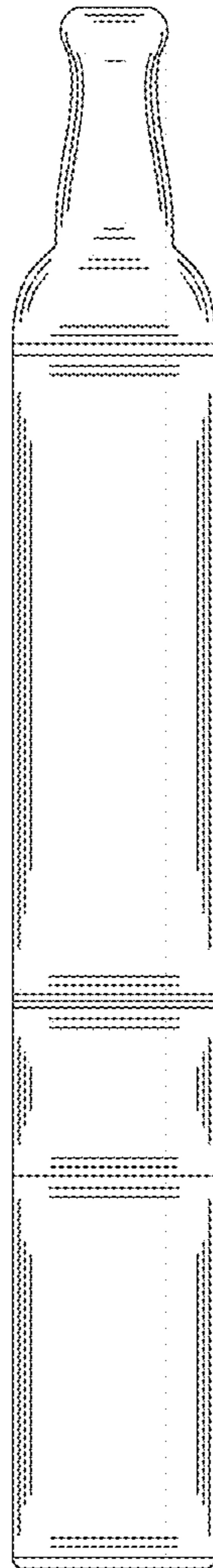


Fig. 8

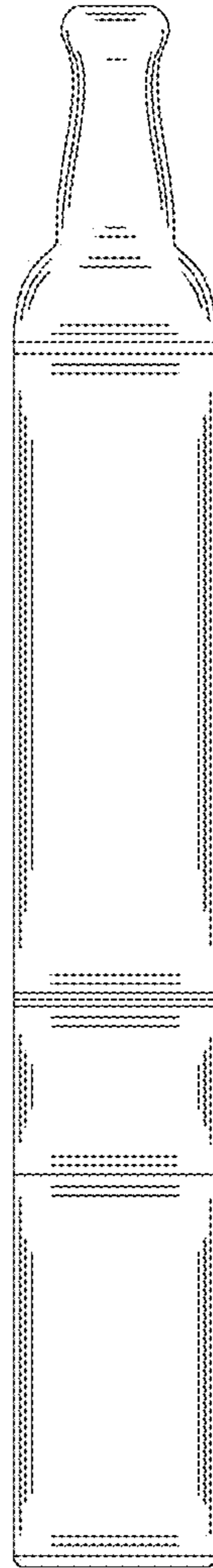


Fig. 9

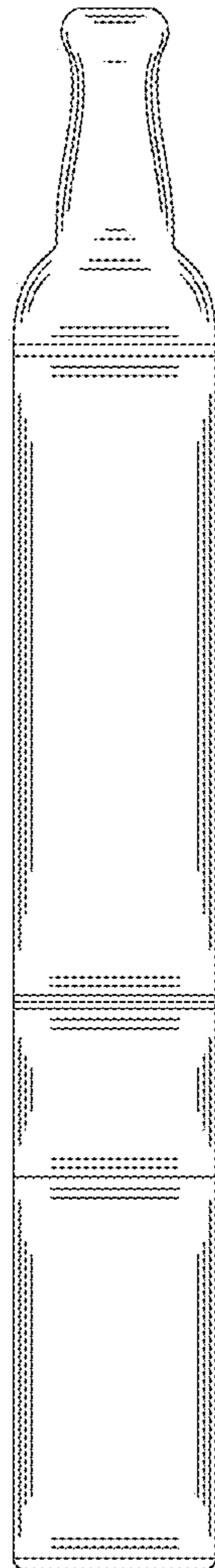


Fig. 10

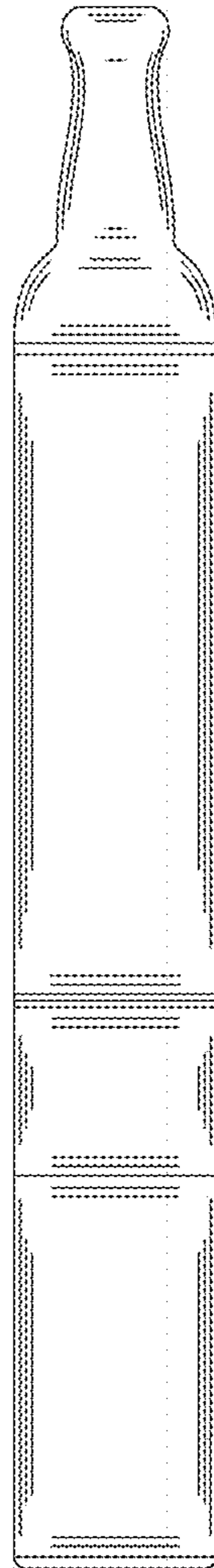


Fig. 11

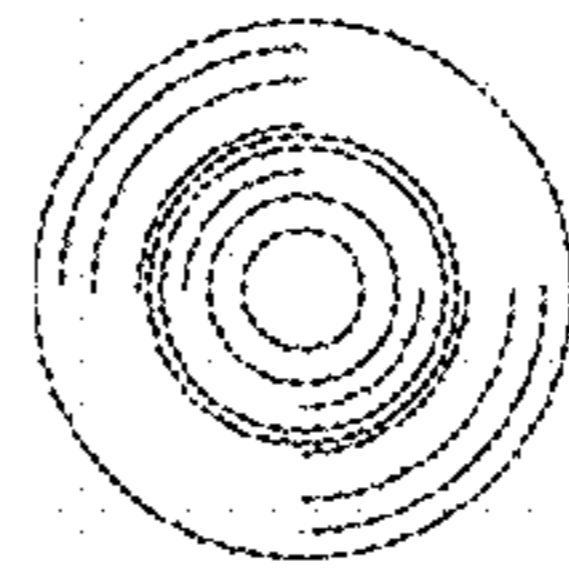


Fig. 12

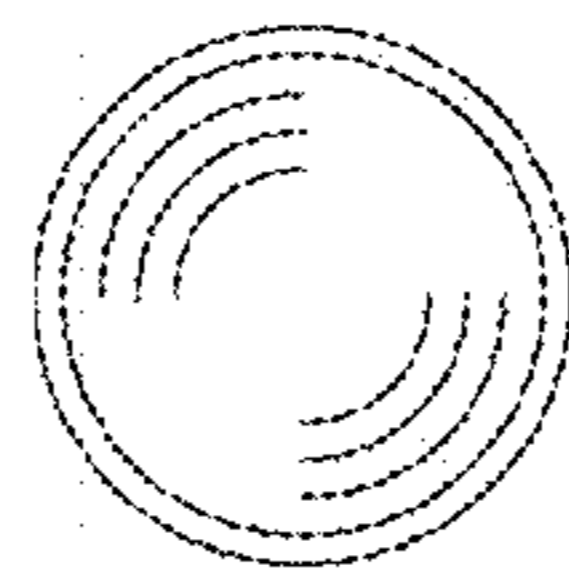


Fig. 13

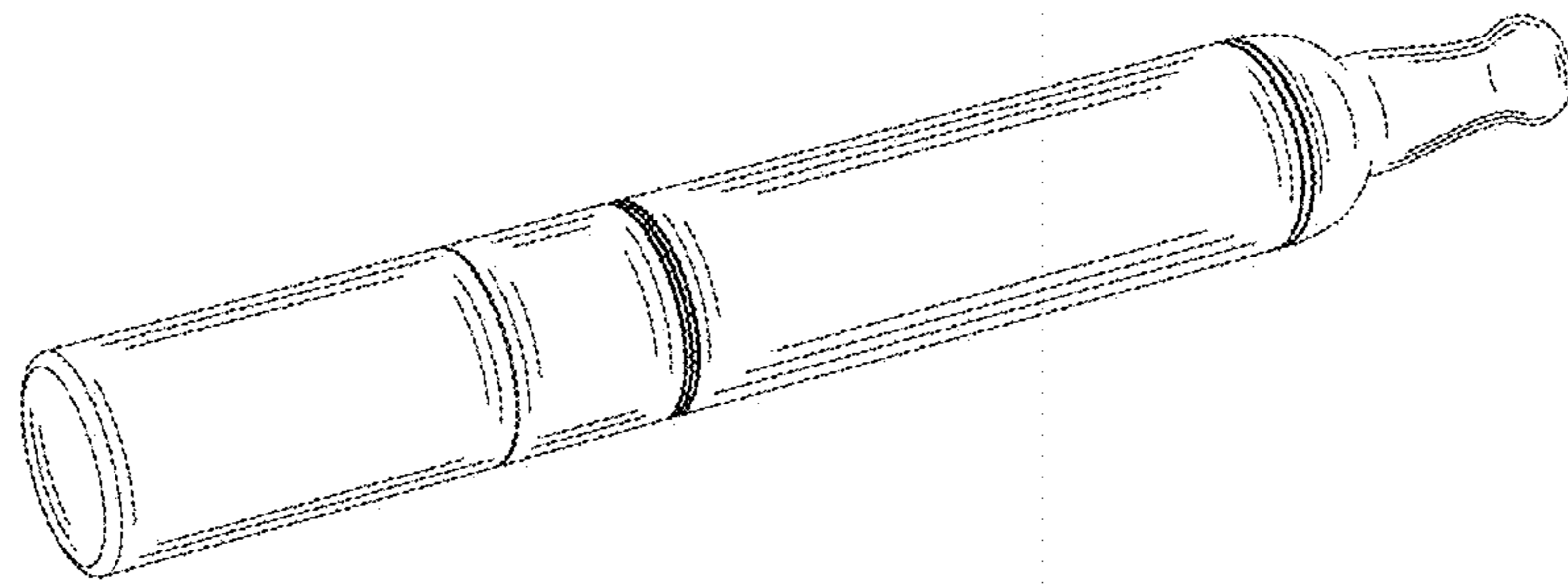


Fig. 14