



US00D765905S

(12) **United States Design Patent** (10) **Patent No.:** **US D765,905 S**
Oldani (45) **Date of Patent:** **** Sep. 6, 2016**

(54) **CAPTIVE LATCH FOR A FLUORESCENT LIGHTING FIXTURE**

(71) Applicant: **KOLLER ENTERPRISES, INC.**,
Fenton, MO (US)
(72) Inventor: **Charles S Oldani**, St. Louis, MO (US)
(73) Assignee: **KOLLER ENTERPRISES, INC.**,
Fenton, MO (US)

(**) Term: **14 Years**

(21) Appl. No.: **29/437,100**

(22) Filed: **Nov. 13, 2012**

(51) **LOC (10) Cl.** **26-99**

(52) **U.S. Cl.**
USPC **D26/113**

(58) **Field of Classification Search**
USPC D26/9, 10, 12, 13, 15, 16, 24, 51, 61,
D26/72, 76, 80, 81, 85, 86, 88, 89, 90, 113,
D26/118, 119, 120, 122, 124, 128, 129, 138,
D26/143, 144; D13/180; D10/18, 21, 24,
D10/25, 27, 28, 46, 93, 104.1; D23/261;
D7/624.1, 624.2
CPC B60Q 1/04; B60Q 1/26; F21S 8/026;
F21S 8/04; F21V 29/004; F21V 21/02;
F21V 21/04; F21V 29/2212; F21Y 2101/02
See application file for complete search history.

(56) **References Cited**

U.S. PATENT DOCUMENTS

2,358,607	A *	9/1944	Tinnerman	292/87
2,825,798	A *	3/1958	Zingone	362/223
2,861,711	A *	11/1958	Schneider	220/830
3,069,541	A *	12/1962	Thomsen et al.	362/343
3,185,835	A *	5/1965	Muller et al.	362/324
3,428,348	A *	2/1969	Swanson	292/113
3,525,544	A *	8/1970	Jacobs	292/18
3,549,879	A *	12/1970	Meyer	362/223
3,700,887	A *	10/1972	Marx	362/396
4,138,716	A *	2/1979	Muhlethaler et al.	362/375

(Continued)

OTHER PUBLICATIONS

VT Latches—TinEye, image post date Jan. 21, 2015, site visited Apr. 16, 2015, (online), <<https://www.tineye.com/search/7774e6f7b1785c3f9a9b97d055d4834d3fbb5425/?pluginver=>>>.*

Primary Examiner — Kevin Rudzinski
Assistant Examiner — Sean D Lough

(74) *Attorney, Agent, or Firm* — Stinson Leonard Street LLP

(57) **CLAIM**

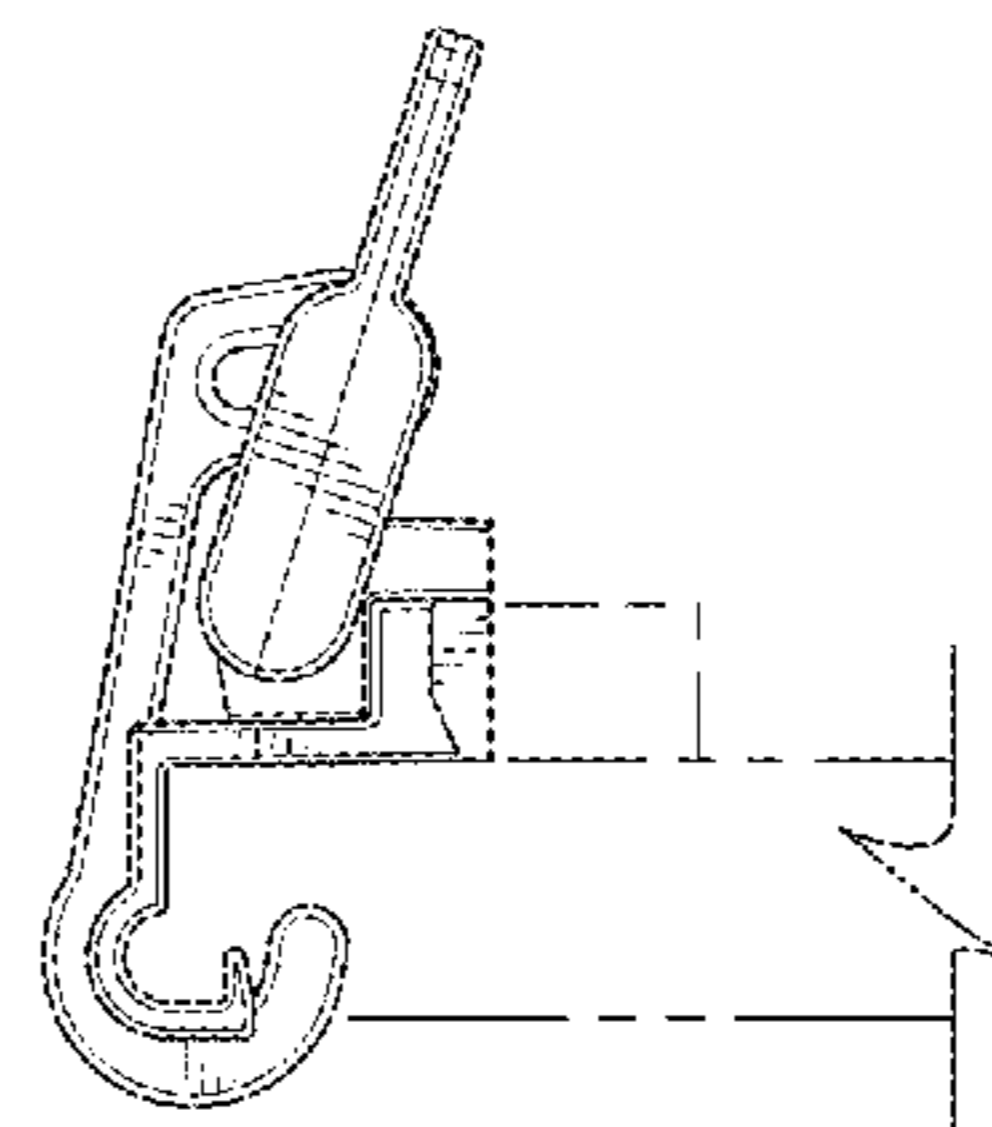
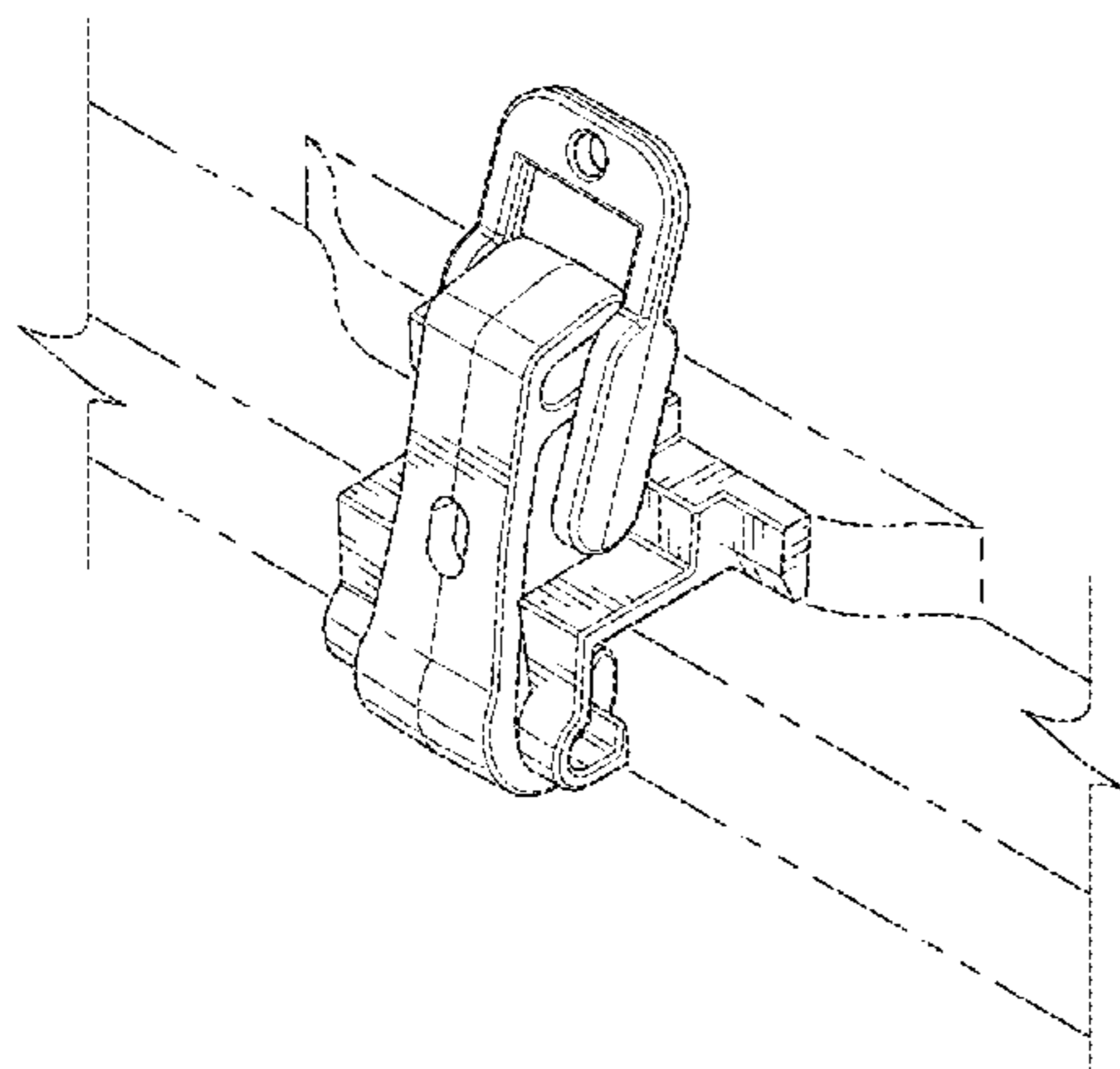
The ornamental design for a captive latch for a fluorescent lighting fixture, as shown and described.

DESCRIPTION

FIG. 1 is a perspective view of the captive latch for a fluorescent lighting fixture according to the present invention;
FIG. 2 is a front elevational view of the captive latch for a fluorescent lighting fixture;
FIG. 3 is an elevational view of one side of the captive latch for a fluorescent lighting fixture, the other side being identical thereto;
FIG. 4 is a top plan view of the captive latch for a fluorescent lighting fixture;
FIG. 5 is a bottom plan view of the captive latch for a fluorescent lighting fixture; and,
FIG. 6 is a rear plan view of the captive latch for a fluorescent lighting fixture.

The break lines throughout the drawing figures exclude the captive latch for a fluorescent lighting fixture's greater environment from the disclosure and form no part of the claimed design. The environment that forms no part of the claimed design is not shown in FIG. 6 because it would block the view of the claimed subject matter. The broken lines (where present) in all FIGS, illustrate the environment of or portions of the captive latch for a fluorescent lighting fixture that form no part of the claimed design.

1 Claim, 2 Drawing Sheets



(56)

References Cited

U.S. PATENT DOCUMENTS

4,326,739	A *	4/1982	Schlueter	292/247	D429,618	S *	8/2000	Tieu	D8/331
4,469,370	A *	9/1984	Petersen	296/218	6,179,350	B1 *	1/2001	Ely et al.	292/113
4,890,869	A *	1/1990	Langkamp, Jr.	292/113	6,397,644	B1 *	6/2002	Gidding	70/18
5,008,792	A *	4/1991	Liedtke et al.	362/374	6,439,741	B1 *	8/2002	Diaz et al.	362/396
D319,104	S *	8/1991	Grossi et al.	D24/138	6,578,233	B1 *	6/2003	Avila et al.	16/344
D323,453	S *	1/1992	Walther	D8/395	D503,083	S *	3/2005	Schlack	D8/331
5,172,976	A *	12/1992	Bogdanovs	362/374	6,964,502	B1 *	11/2005	Verfueth	362/217.09
5,213,381	A *	5/1993	Anderson	292/111	7,083,308	B2 *	8/2006	Kenyon et al.	362/374
5,271,649	A *	12/1993	Gromotka	292/113	7,296,911	B2 *	11/2007	Plunk et al.	362/221
D377,141	S *	1/1997	Ford et al.	D8/331	7,331,881	B2 *	2/2008	Smith	473/481
D377,446	S *	1/1997	Ford et al.	D8/331	7,419,196	B2 *	9/2008	Haugaard et al.	292/122
D395,388	S *	6/1998	Bourne et al.	D8/338	7,611,257	B2 *	11/2009	Engel	362/147
6,045,241	A *	4/2000	Pahl	362/365	D612,534	S *	3/2010	Mayfield et al.	D26/142
6,059,424	A *	5/2000	Kotloff	362/220	8,220,957	B2 *	7/2012	Lydecker et al.	362/222
6,076,865	A *	6/2000	Sokurenko et al.	292/113	8,337,041	B2 *	12/2012	McCane et al.	362/217.04
					8,350,228	B2 *	1/2013	Welker	250/455.11
					D703,368	S *	4/2014	Oldani	D26/113
					2012/0217882	A1 *	8/2012	Wong et al.	315/185 R

* cited by examiner

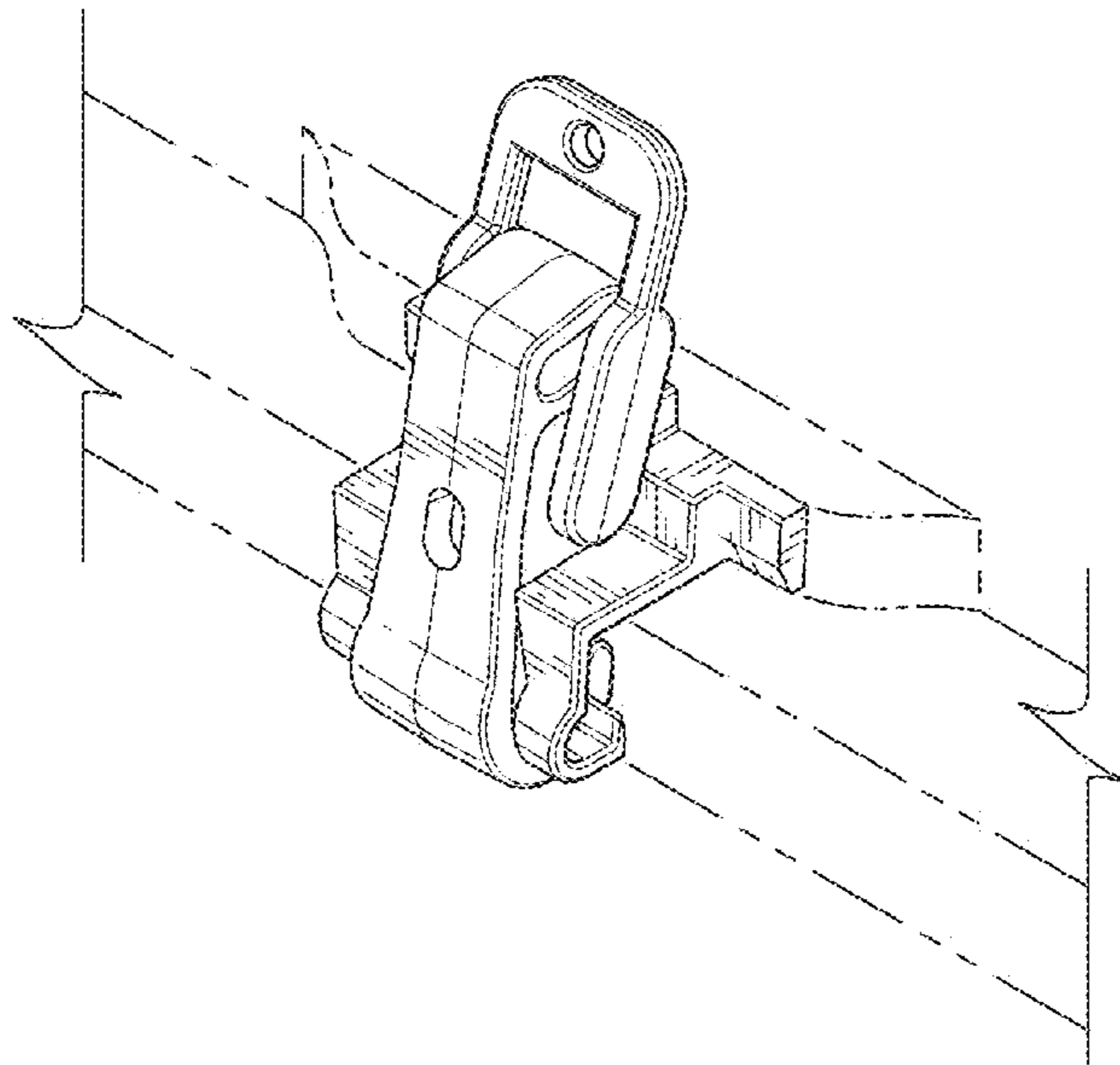


FIG. 1

FIG. 2

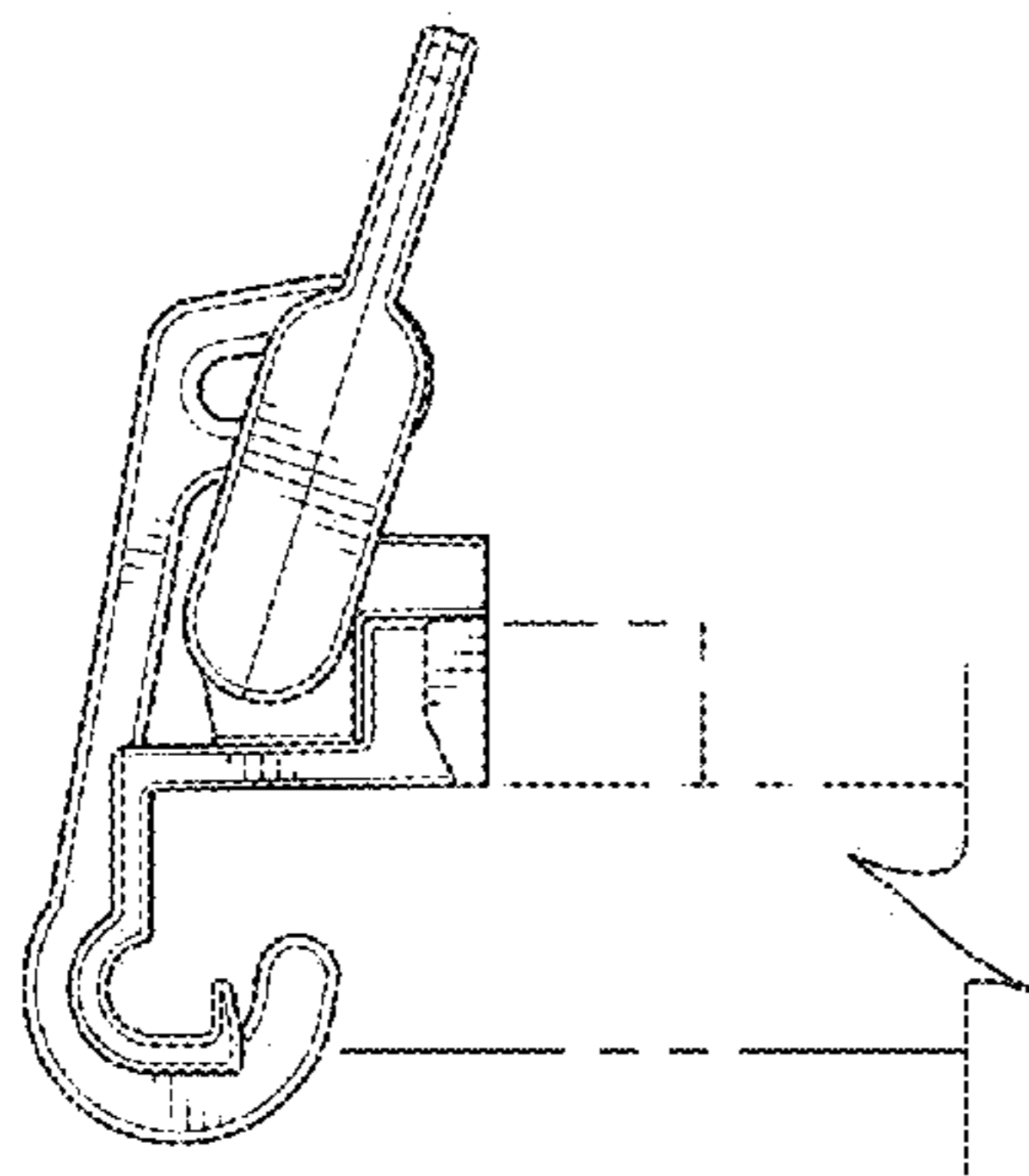
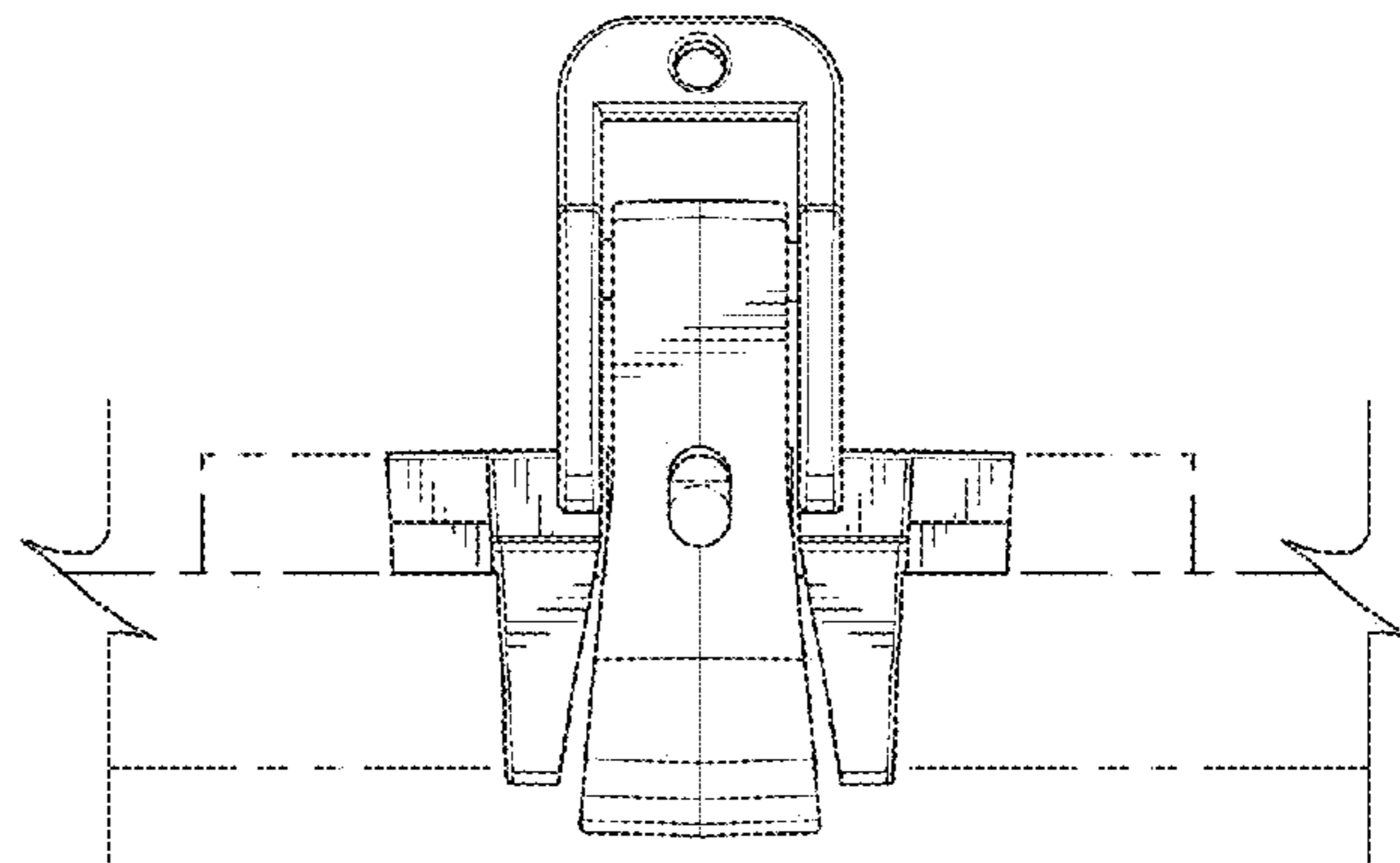


FIG. 3

FIG. 4

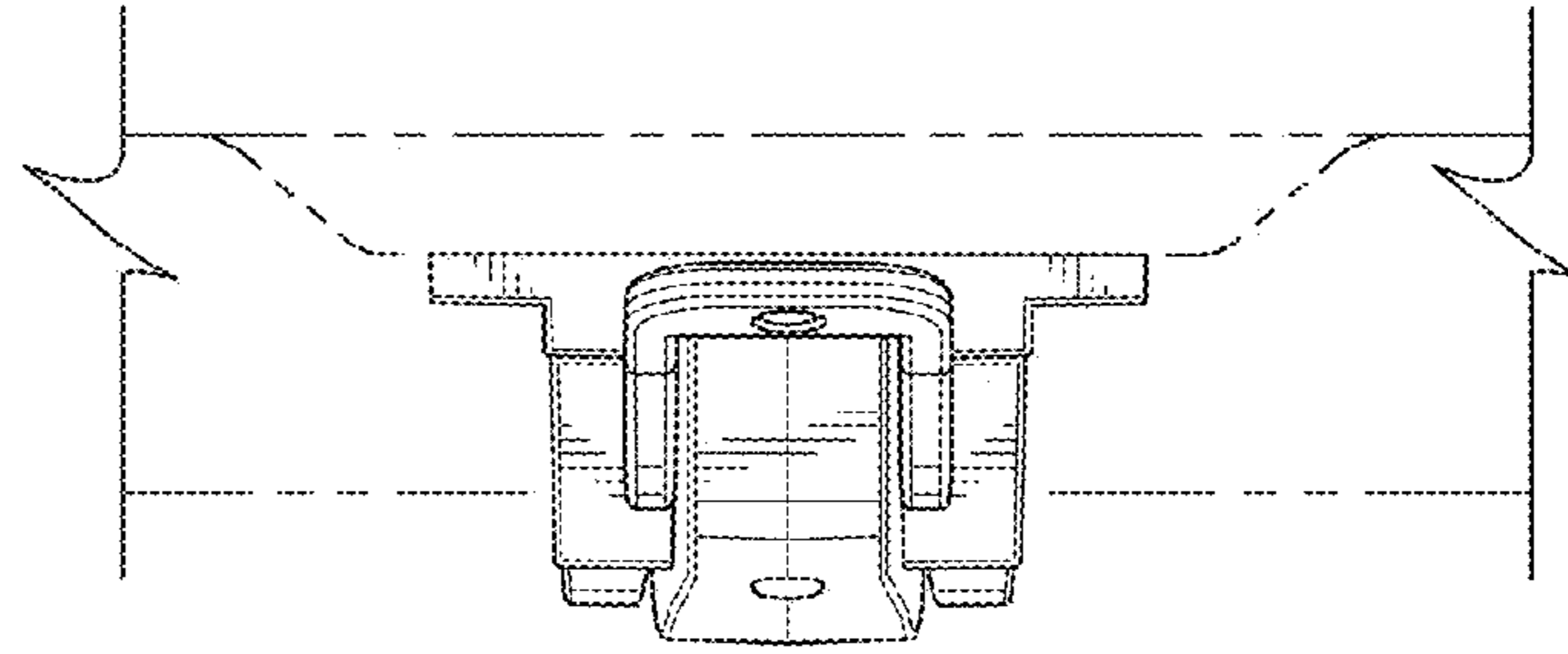


FIG. 5

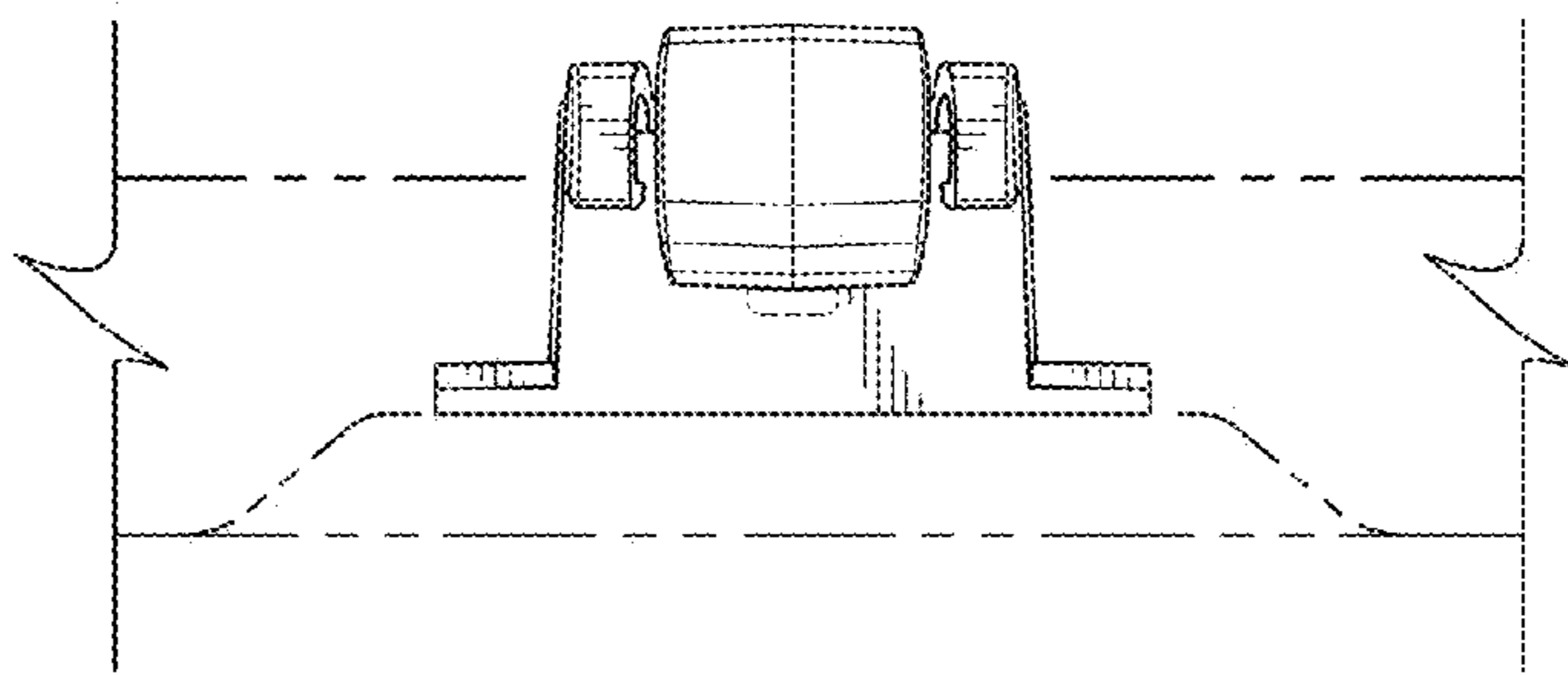


FIG. 6

