



US00D765904S

(12) **United States Design Patent**  
**Pouzet**

(10) **Patent No.:** **US D765,904 S**

(45) **Date of Patent:** **\*\* Sep. 6, 2016**

(54) **PLANT LAMP**

D575,897 S \* 8/2008 Dordoni ..... D26/112  
D663,472 S \* 7/2012 Williams ..... D26/112  
D733,956 S \* 7/2015 Ellis ..... D26/110

(71) Applicant: **Sage Vertical Garden Systems LLC**,  
Chicago, IL (US)

\* cited by examiner

(72) Inventor: **Daniel Pouzet**, Draguignan (FR)

*Primary Examiner* — Brian N Vinson

(73) Assignee: **Sage Vertical Garden Systems, LLC**,  
Chicago, IL (US)

(74) *Attorney, Agent, or Firm* — James P. Hanrath; Much  
Shelist, PC

(\*\*) Term: **15 Years**

(57) **CLAIM**

The ornamental design for a plant lamp, as shown and  
described.

(21) Appl. No.: **29/538,621**

**DESCRIPTION**

(22) Filed: **Sep. 4, 2015**

(51) **LOC (10) Cl.** ..... **26-03**

(52) **U.S. Cl.**  
USPC ..... **D26/110**

(58) **Field of Classification Search**  
USPC ..... D26/24, 93, 106, 138, 141, 142  
CPC ..... F21S 6/00; F21S 6/002; F21S 8/043;  
F21V 21/02; F21V 21/116; F21W 2131/30  
See application file for complete search history.

FIG. 1 is a perspective view of a plant lamp in accordance  
with my new design;  
FIG. 2 is a front view of the plant lamp shown in FIG. 1;  
FIG. 3 is a rear view of the plant lamp shown in FIG. 1;  
FIG. 4 is a right side view of the plant lamp shown in FIG.  
1;  
FIG. 5 is a left side view of the plant lamp shown in FIG. 1;  
FIG. 6 is a top view of the plant lamp shown in FIG. 1;  
FIG. 7 is a bottom view of the plant lamp shown in FIG. 1;  
and,  
FIG. 8 is an exploded perspective view of the plant lamp  
shown in FIG. 1.

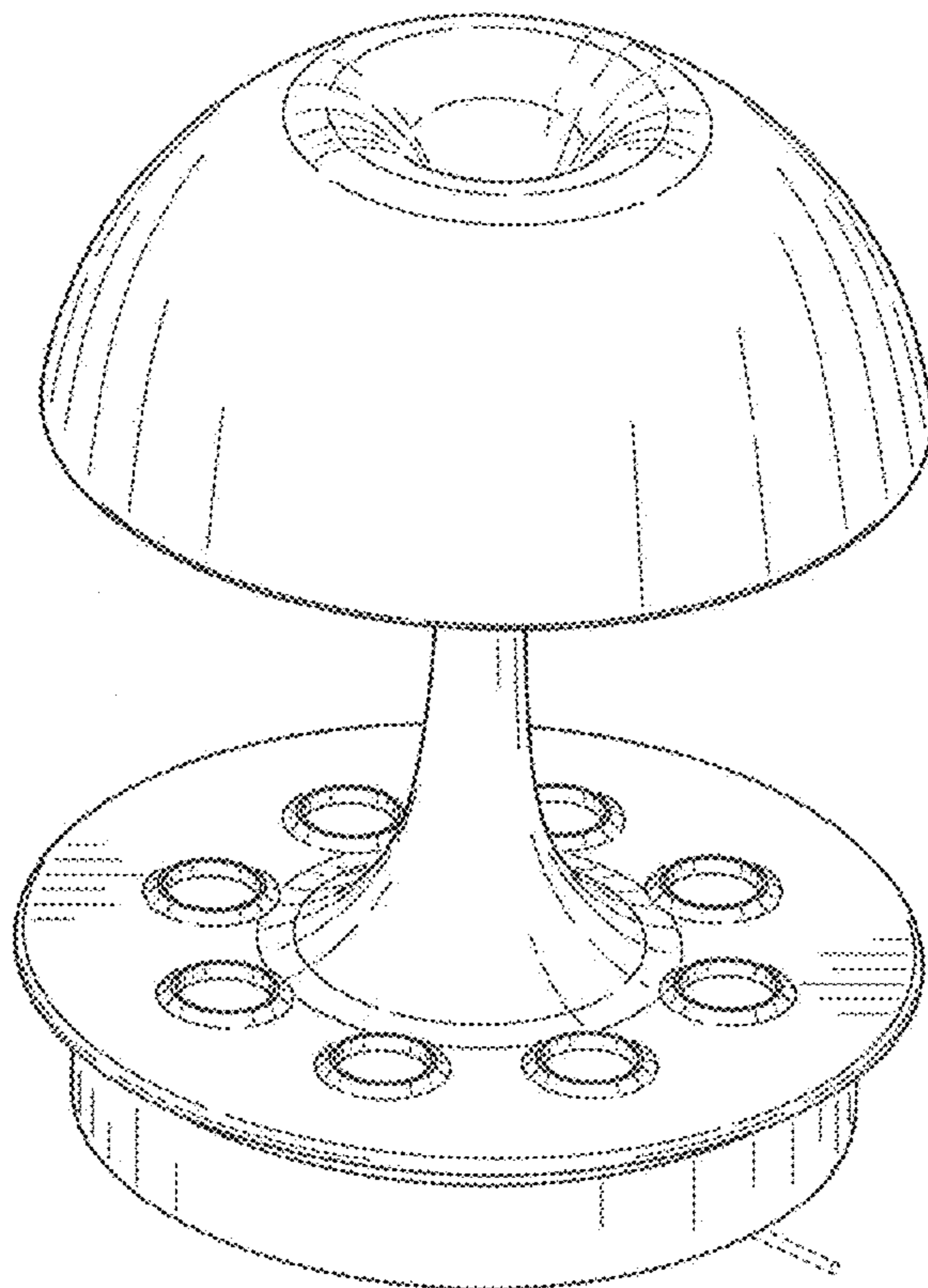
The broken lines in the foregoing figures are included to  
show unclaimed subject matter only and form no part of the  
claimed design.

(56) **References Cited**

**U.S. PATENT DOCUMENTS**

D238,960 S \* 2/1976 Leung ..... D26/104  
D411,328 S \* 6/1999 Lin ..... D26/108  
D517,239 S \* 3/2006 Starck ..... D26/112

**1 Claim, 7 Drawing Sheets**



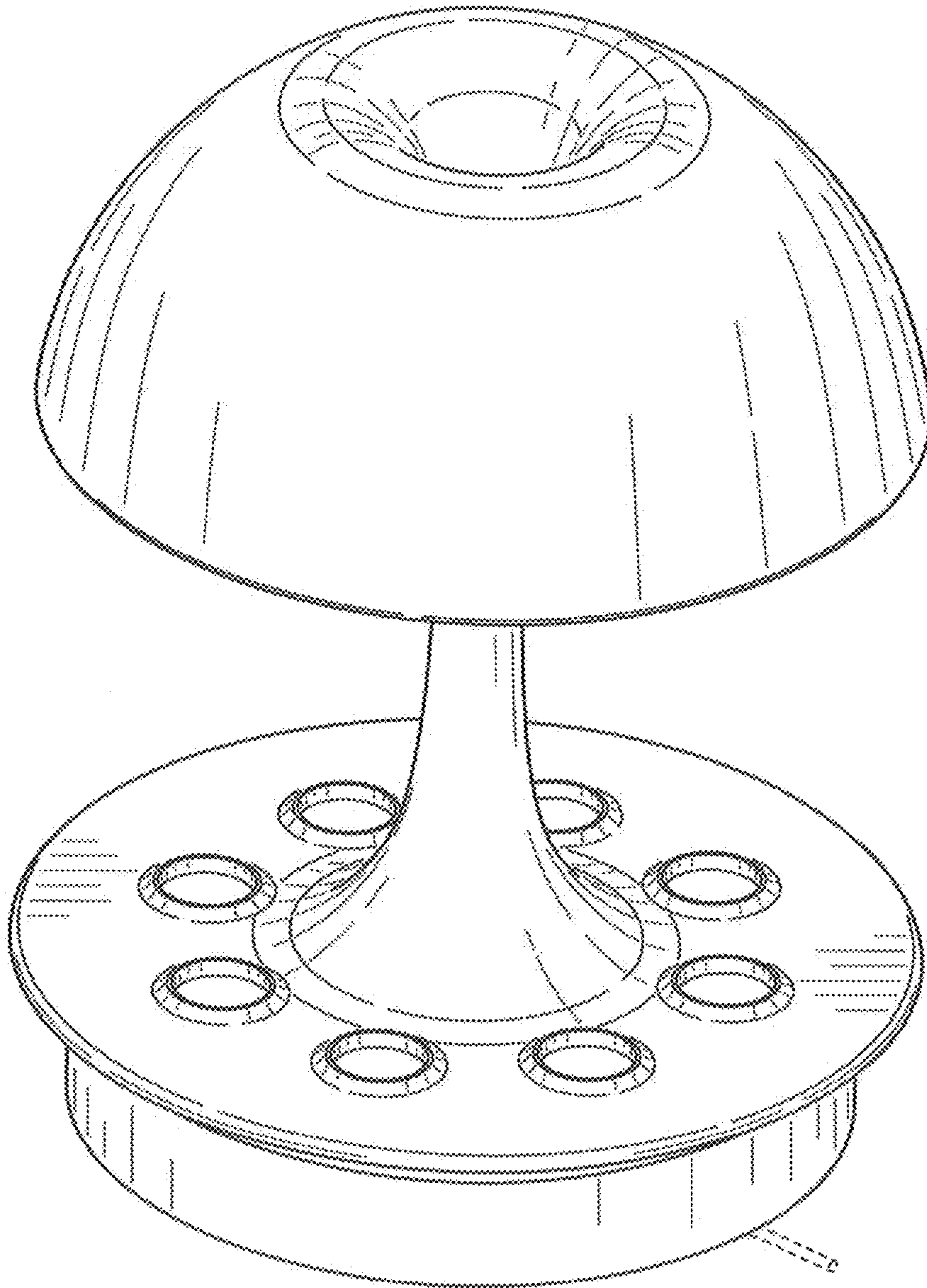


FIG. 1

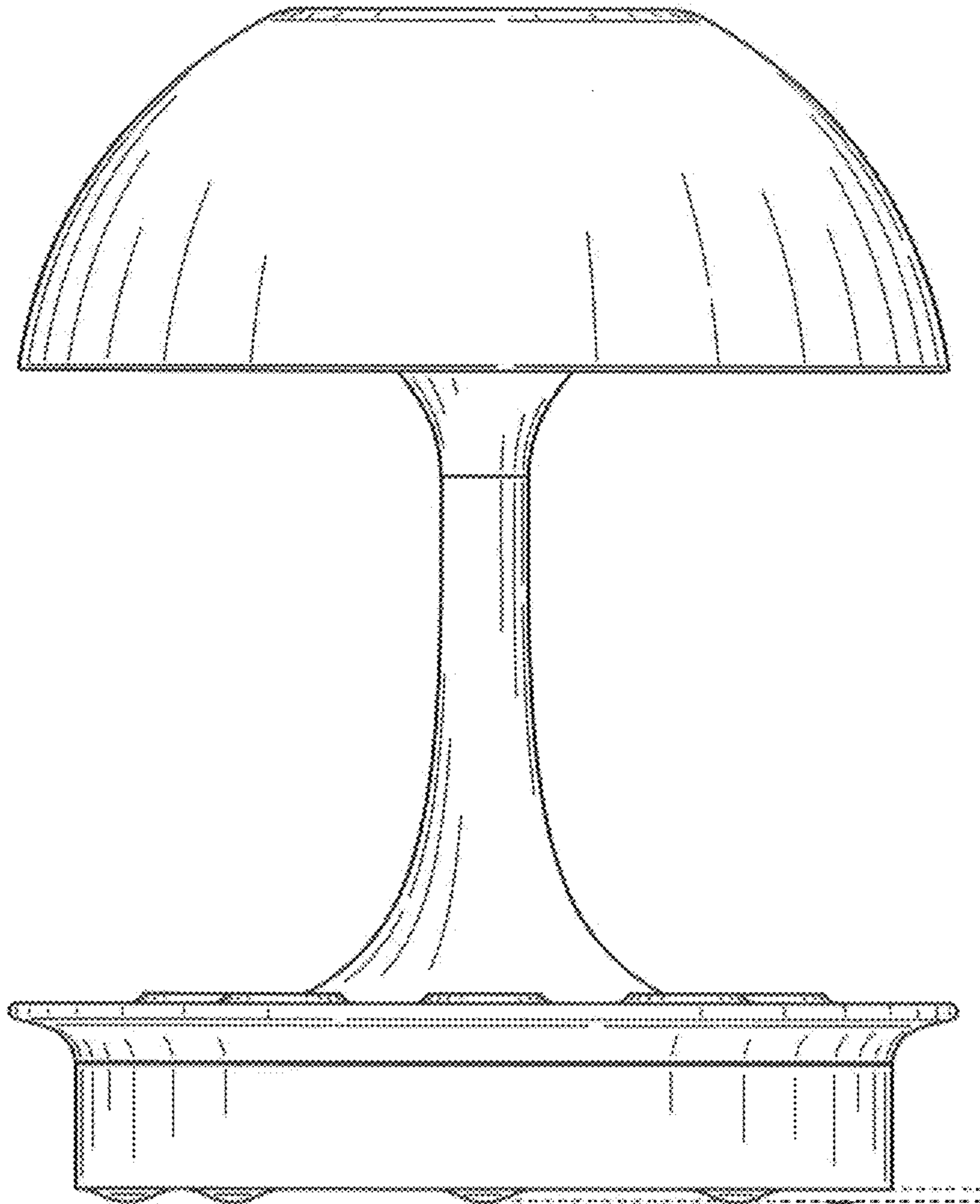


FIG. 2

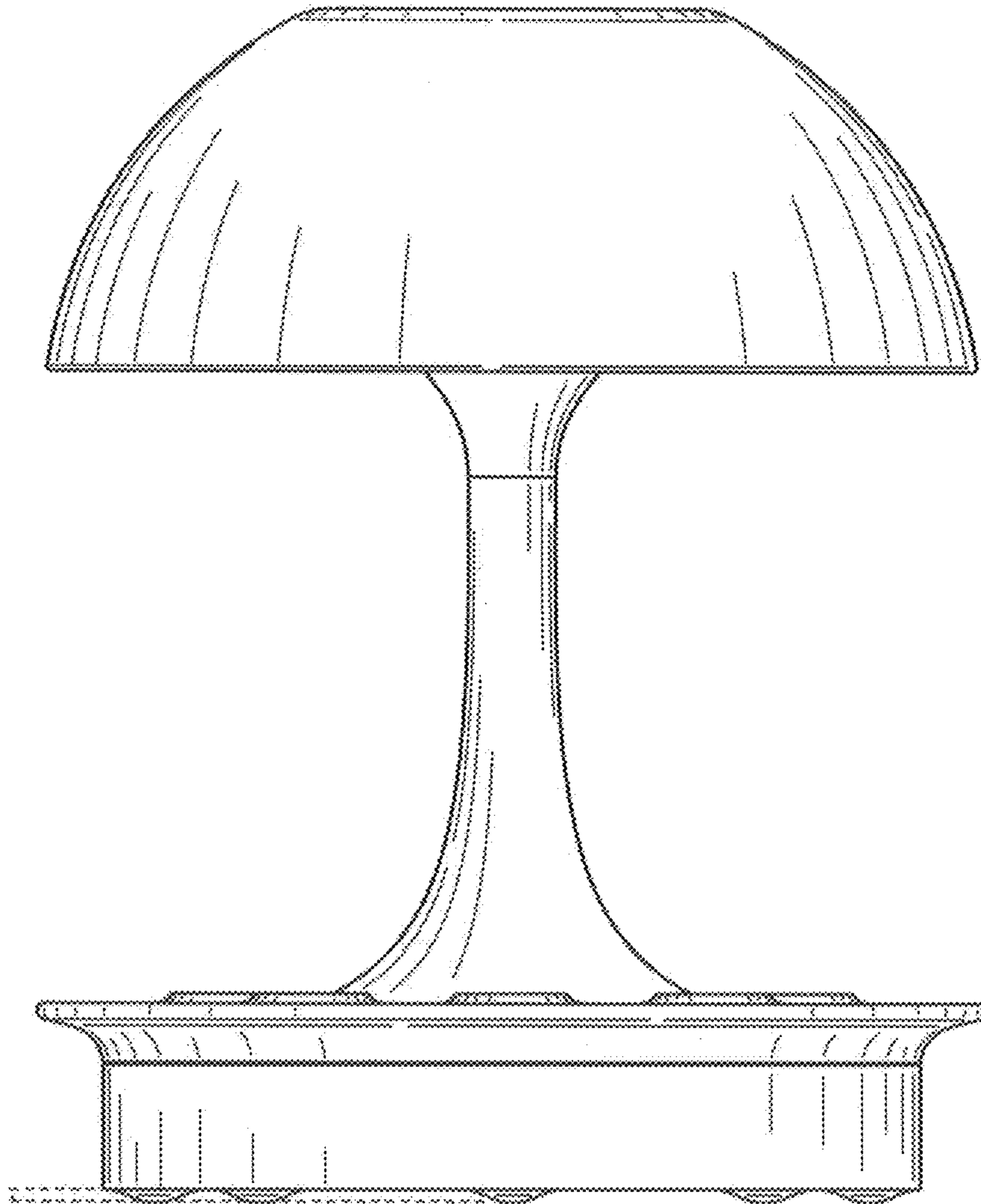


FIG. 3

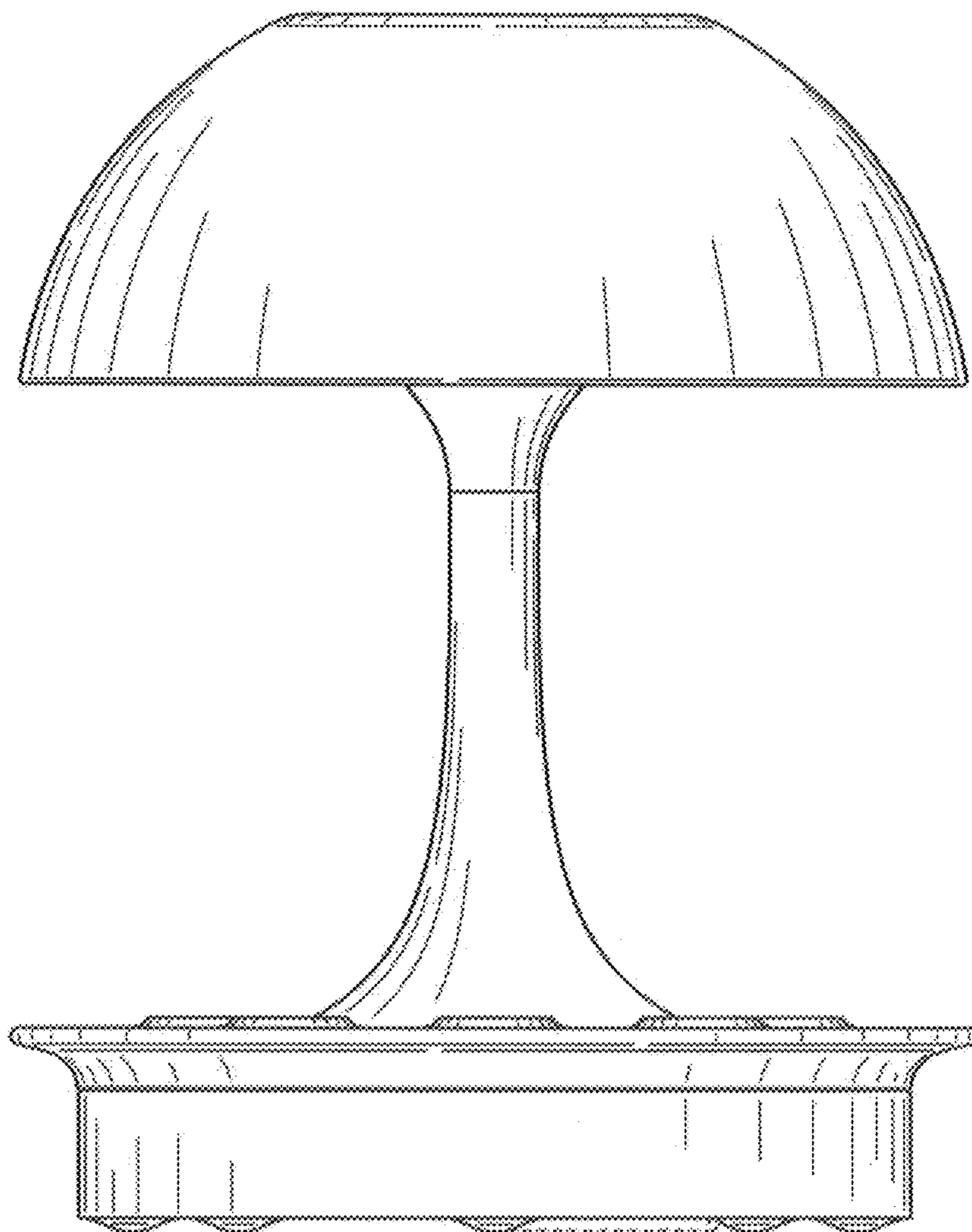


FIG. 4

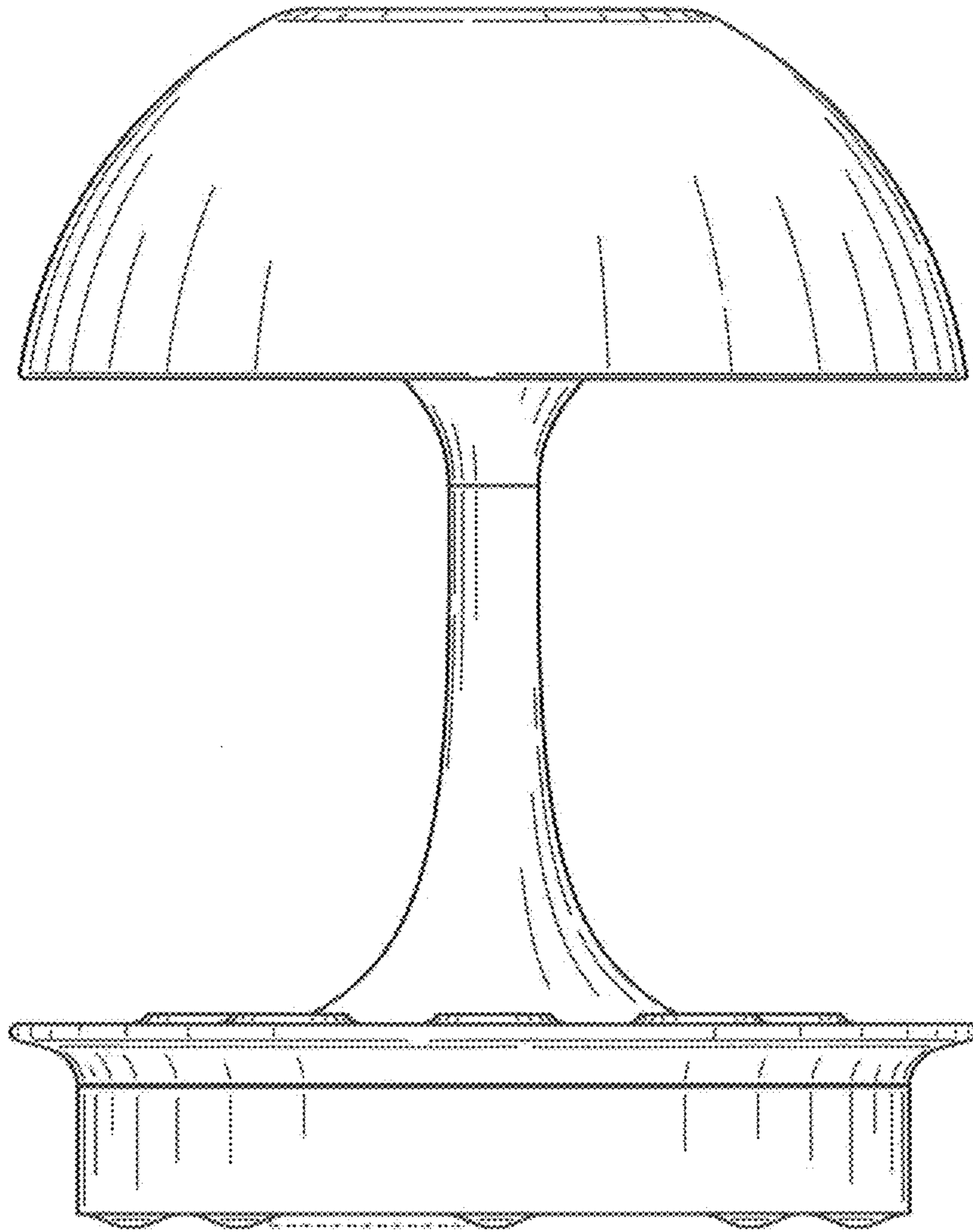


FIG. 5

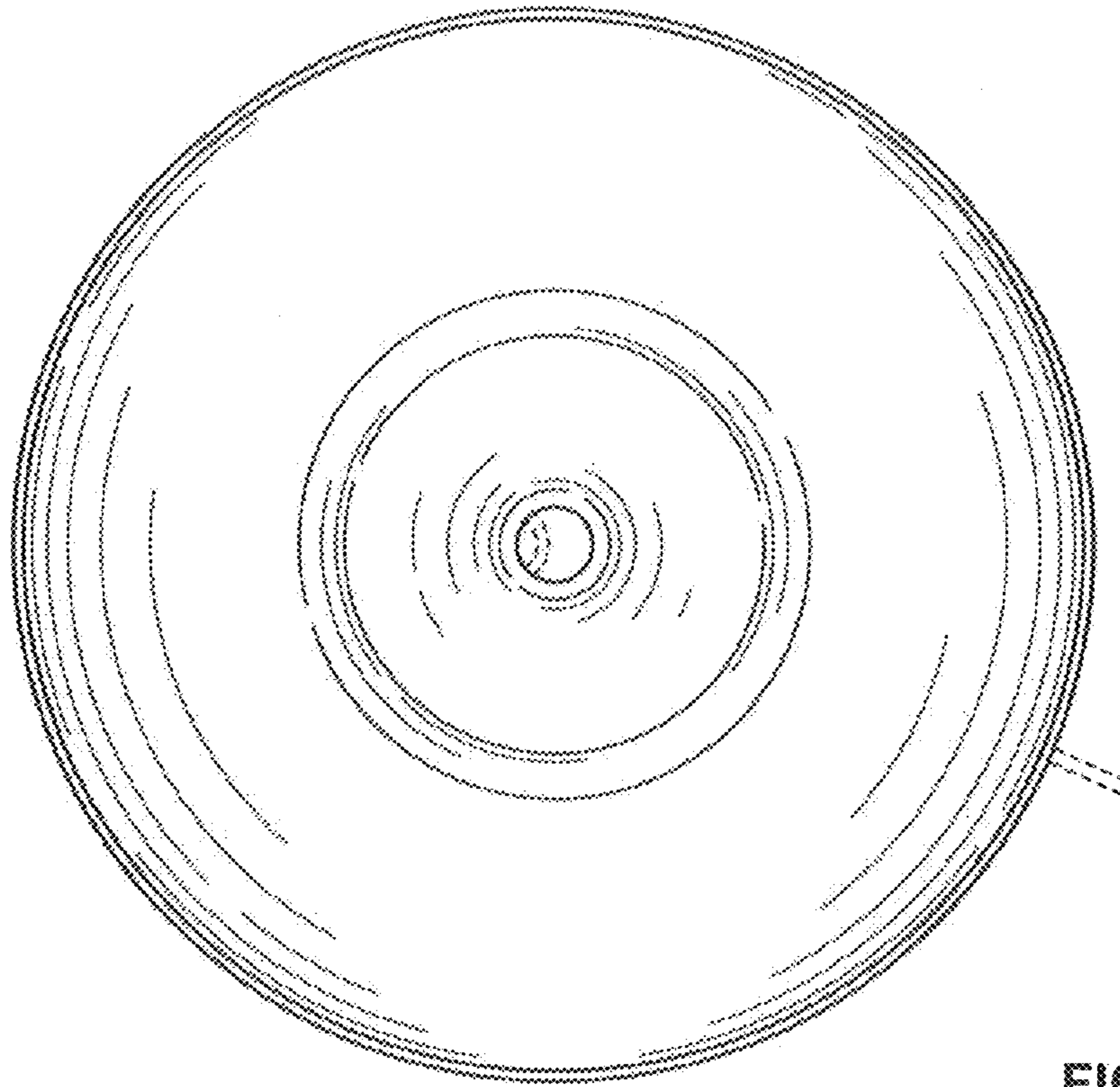


FIG. 6

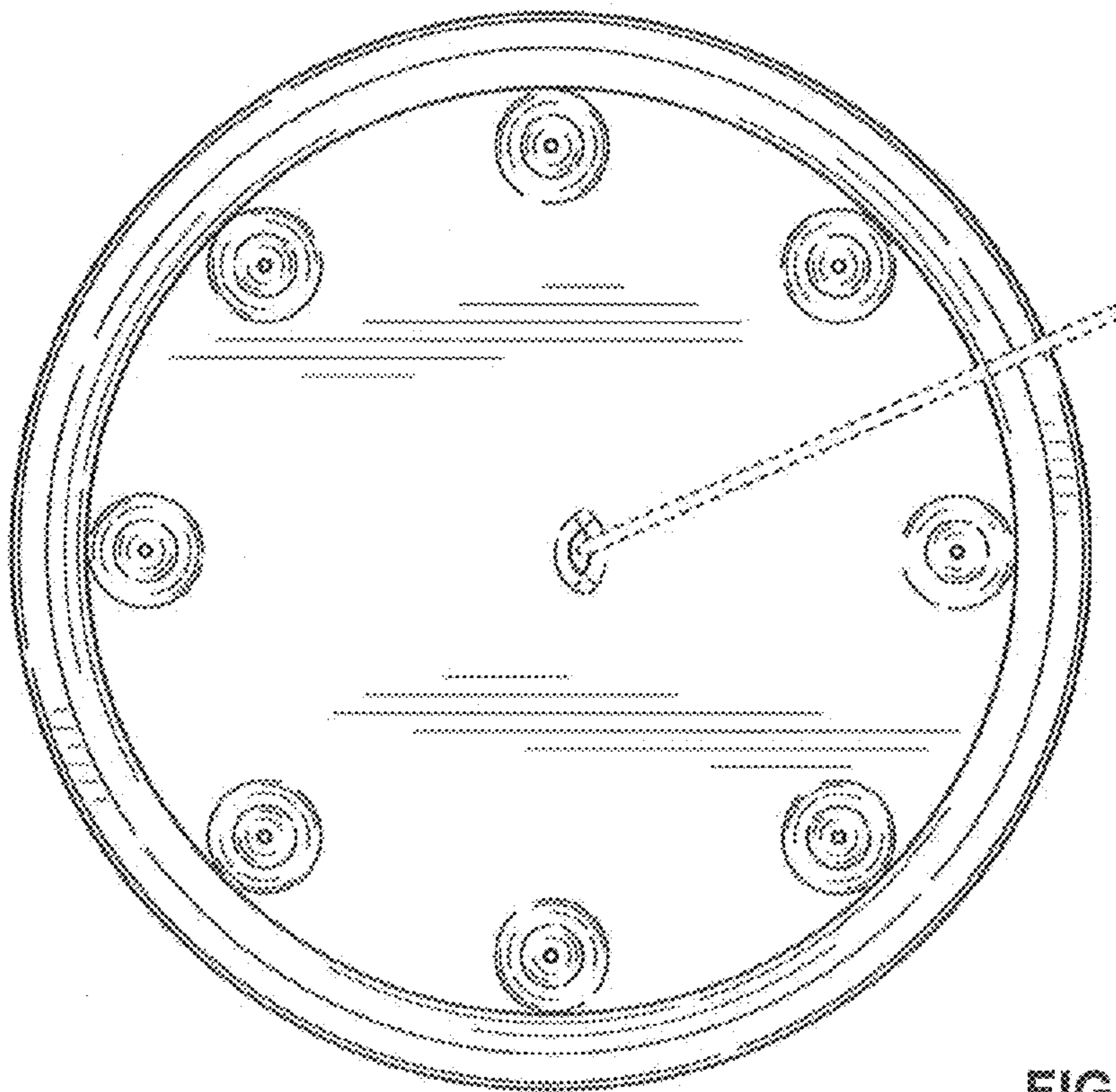


FIG. 7

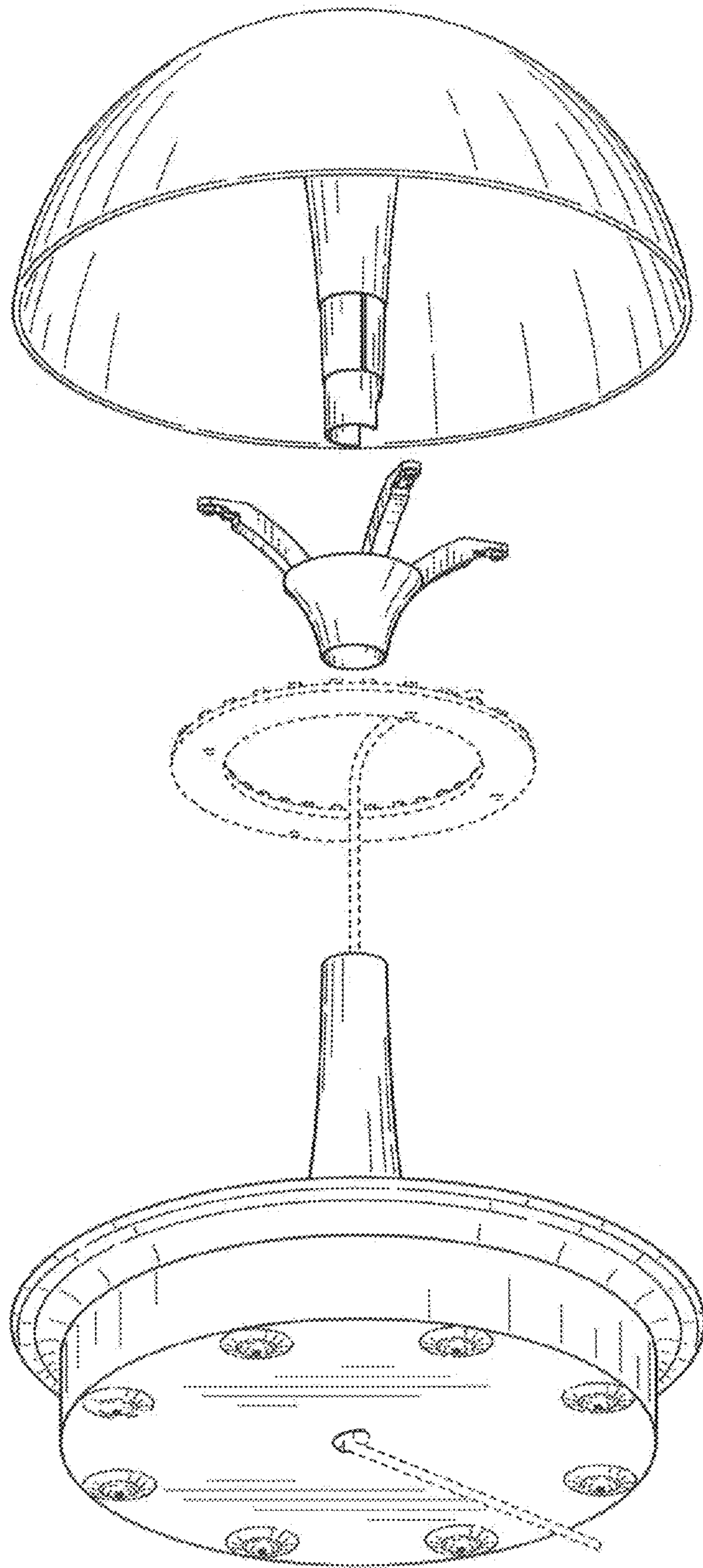


FIG. 8