

US00D765903S

(12) **United States Design Patent**  
**Zhang et al.**

(10) **Patent No.:** **US D765,903 S**

(45) **Date of Patent:** **\*\* Sep. 6, 2016**

(54) **LIGHT**

(71) Applicant: **NINGBO YUSING OPTOELECTRONIC TECHNOLOGY CO., LTD.**, Ningbo, Zhejiang (CN)

(72) Inventors: **Liang Zhang**, Ningbo (CN); **Xiaoyu Cai**, Ningbo (CN)

(73) Assignee: **NINGBO YUSING OPTOELECTRONIC TECHNOLOGY CO., LTD.**, Ningbo (CN)

(\*\*) Term: **15 Years**

(21) Appl. No.: **29/532,924**

(22) Filed: **Jul. 12, 2015**

(30) **Foreign Application Priority Data**

Feb. 10, 2015 (CN) ..... 2015 3 0039488

(51) **LOC (10) Cl.** ..... **26-03**

(52) **U.S. Cl.**  
USPC ..... **D26/89**

(58) **Field of Classification Search**  
USPC ..... D26/72, 83, 89, 91, 118  
CPC ..... F21S 8/04; F21S 8/033; F21S 8/036;  
F21S 13/02  
See application file for complete search history.

(56) **References Cited**

**U.S. PATENT DOCUMENTS**

D424,188 S \* 5/2000 Liu ..... D23/377  
D490,183 S \* 5/2004 Benensohn ..... D26/79

6,979,107 B1 \* 12/2005 Benensohn ..... F21S 8/02  
362/133  
D549,385 S \* 8/2007 Lissoni ..... D26/89  
D583,981 S \* 12/2008 Meyer ..... D26/89  
D583,982 S \* 12/2008 Meyer ..... D26/89  
D630,368 S \* 1/2011 de Rijck ..... D26/89  
D641,518 S \* 7/2011 Van den Akker ..... D26/89  
D723,210 S \* 2/2015 Highbridge ..... D26/89  
2009/0034261 A1 \* 2/2009 Grove ..... F21S 8/02  
362/294  
2010/0172143 A1 \* 7/2010 Cunius ..... F21S 8/04  
362/373

\* cited by examiner

*Primary Examiner* — Clare E Heflin

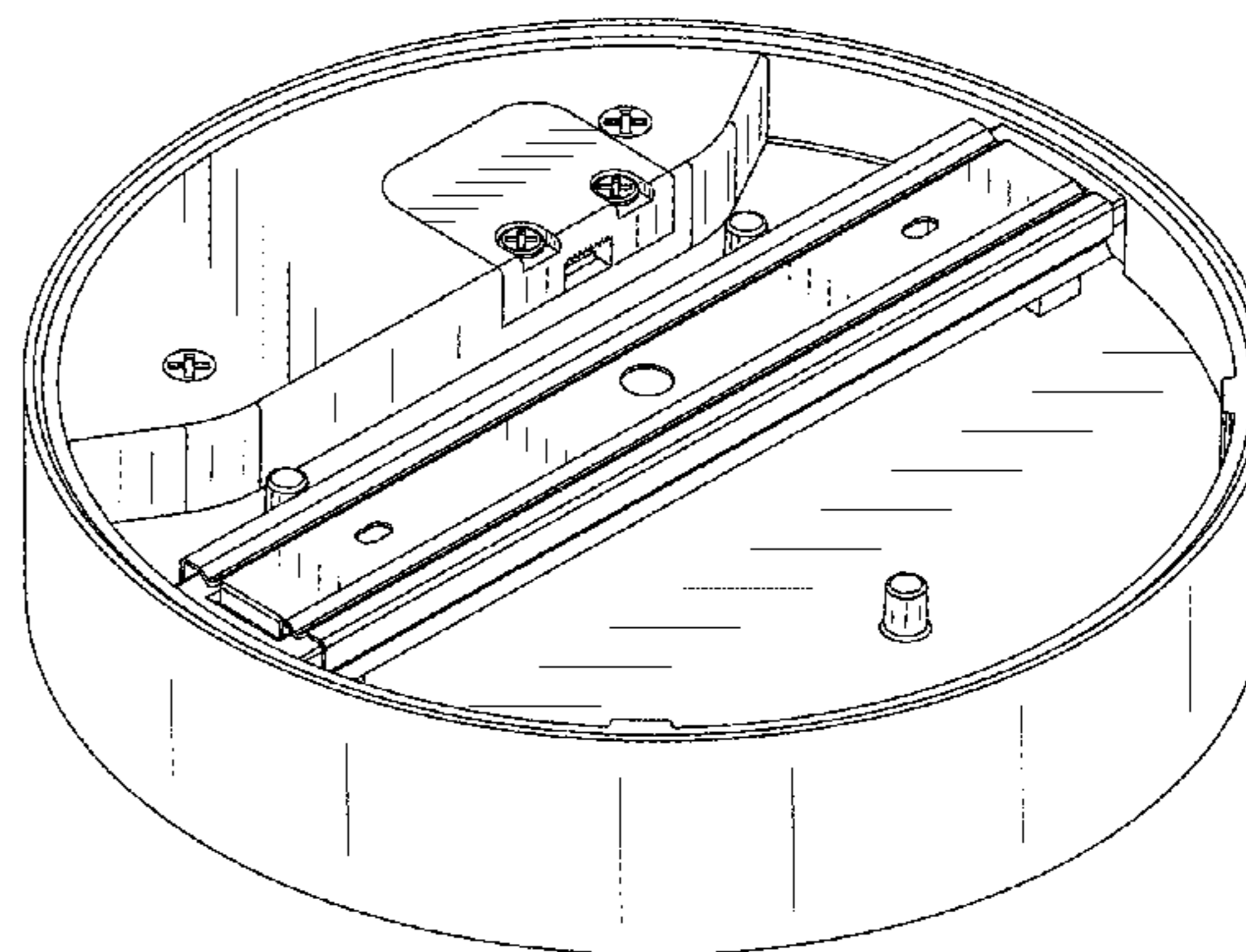
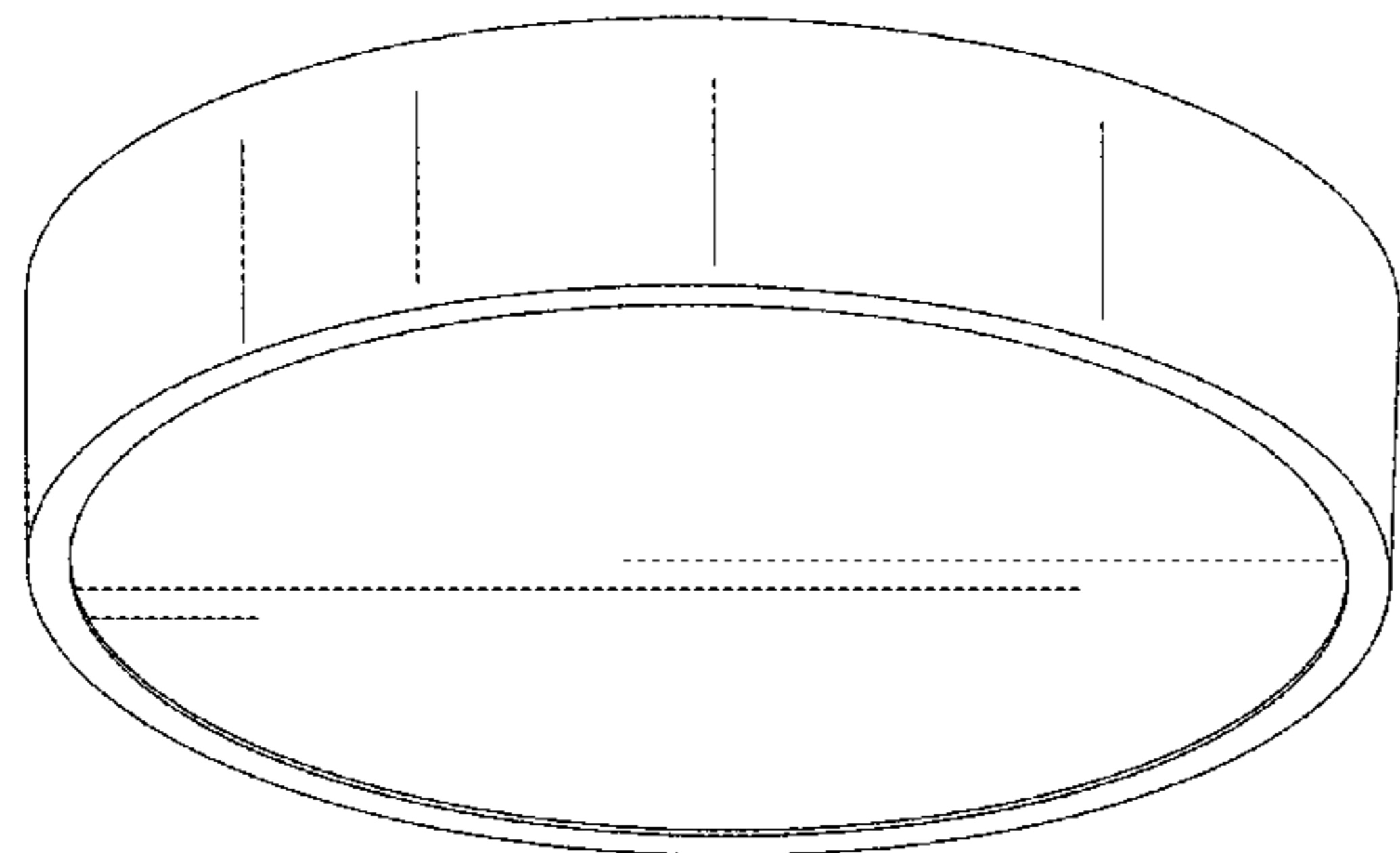
(57) **CLAIM**

The ornamental design for a light, as shown and described.

**DESCRIPTION**

FIG. 1 is a front elevational view of a light showing our new design;  
FIG. 2 is a rear elevational view thereof;  
FIG. 3 is a left side view thereof;  
FIG. 4 is a right side view thereof;  
FIG. 5 is a top plan view thereof;  
FIG. 6 is a bottom plan view thereof;  
FIG. 7 is a first perspective view thereof;  
FIG. 8 is a second perspective view thereof;  
FIG. 9 is a third perspective view thereof;  
FIG. 10 is a fourth perspective view thereof; and,  
FIG. 11 is a fifth perspective view thereof.

**1 Claim, 11 Drawing Sheets**



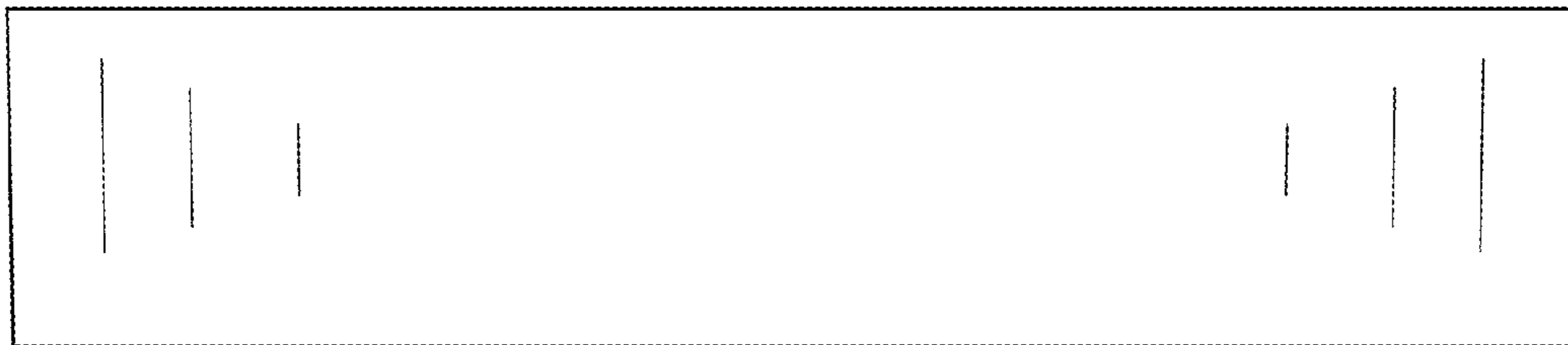


FIG.1



FIG.2

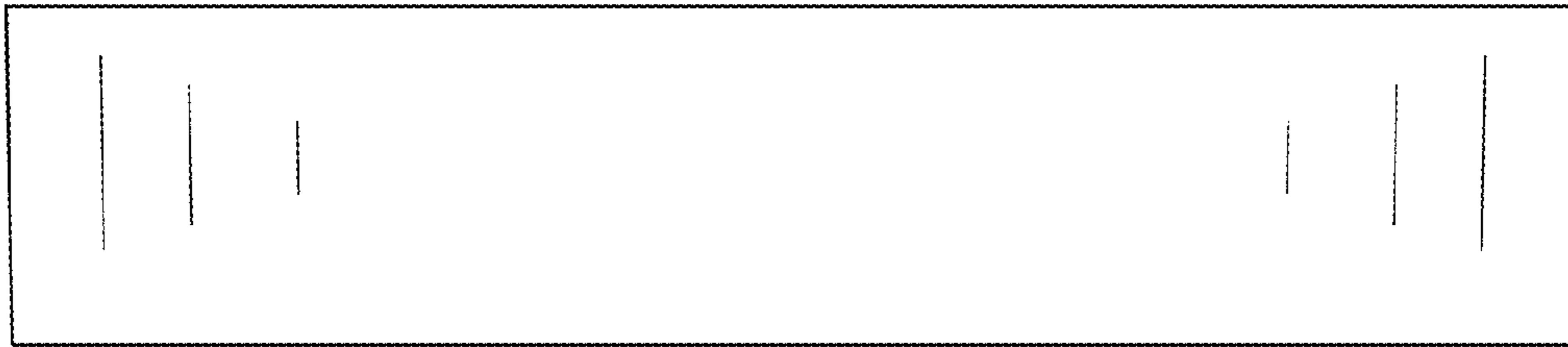


FIG. 3

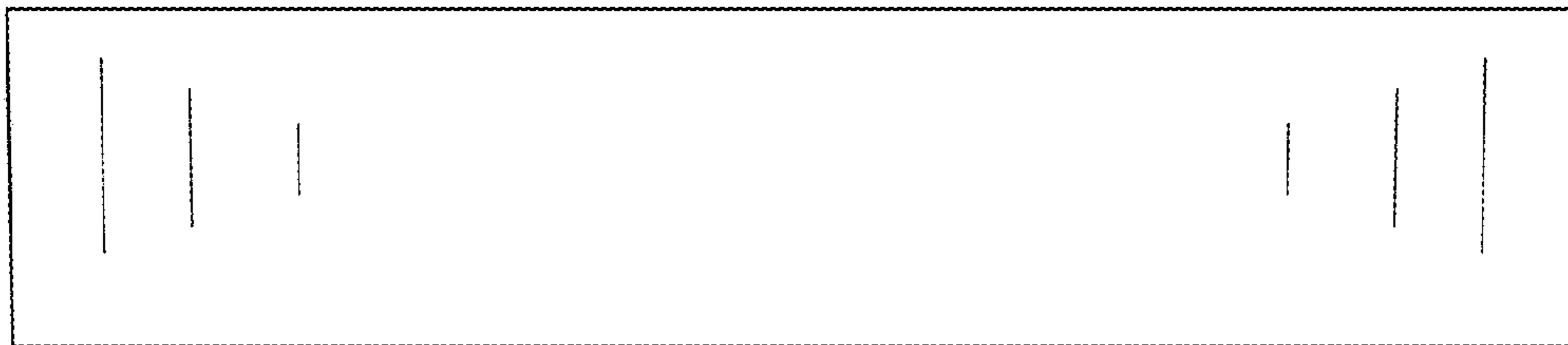


FIG. 4

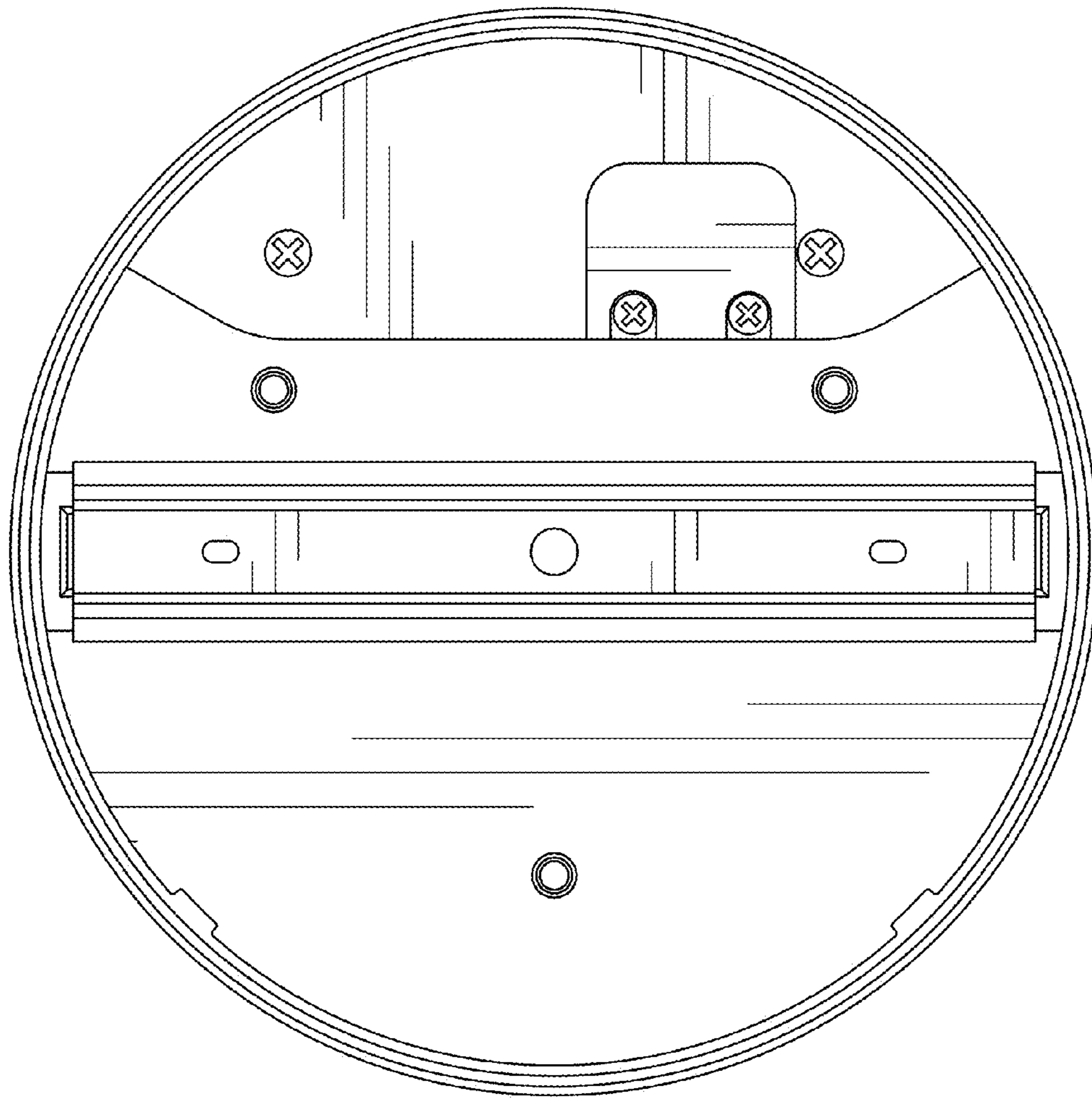


FIG. 5

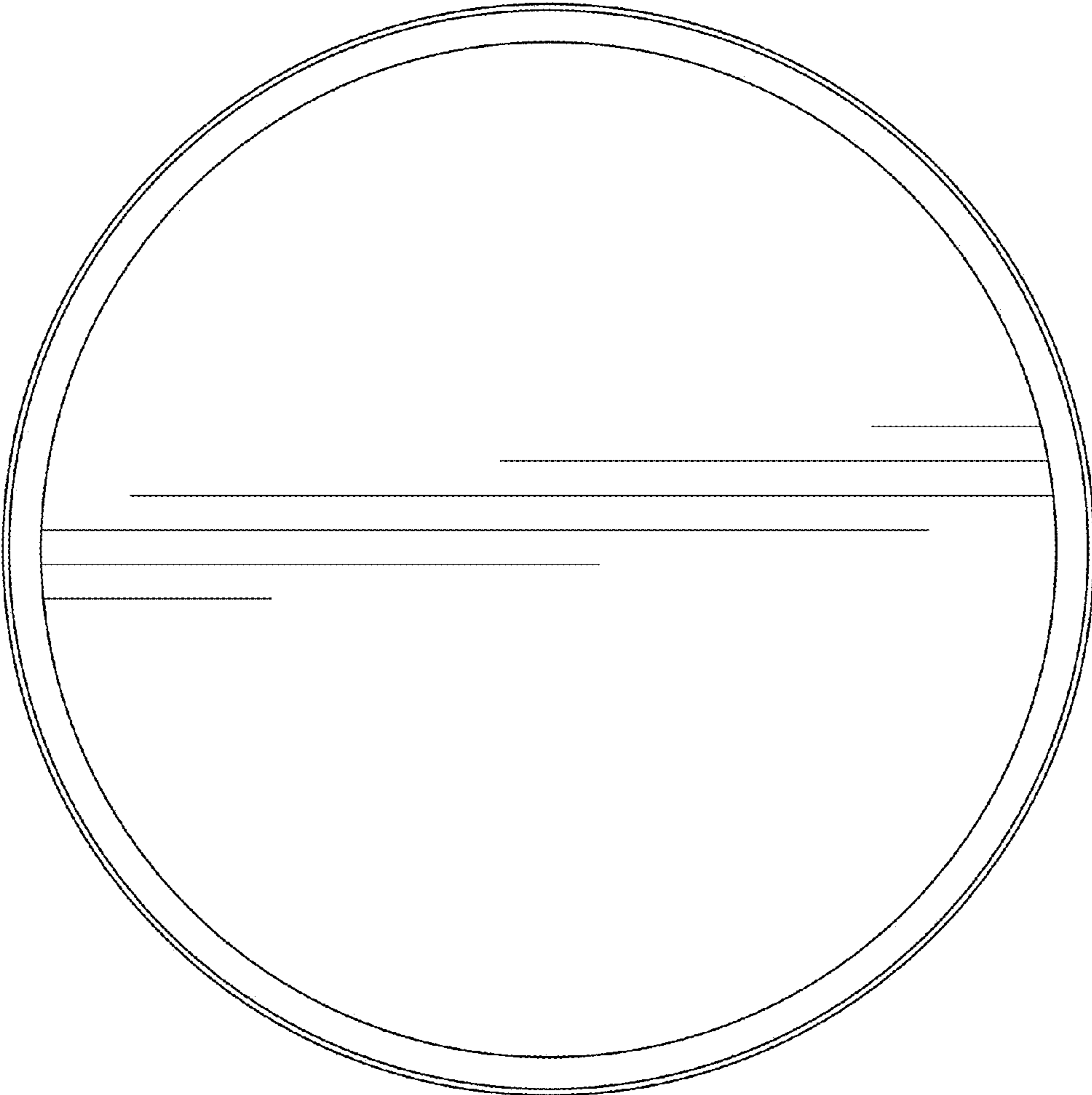


FIG.6

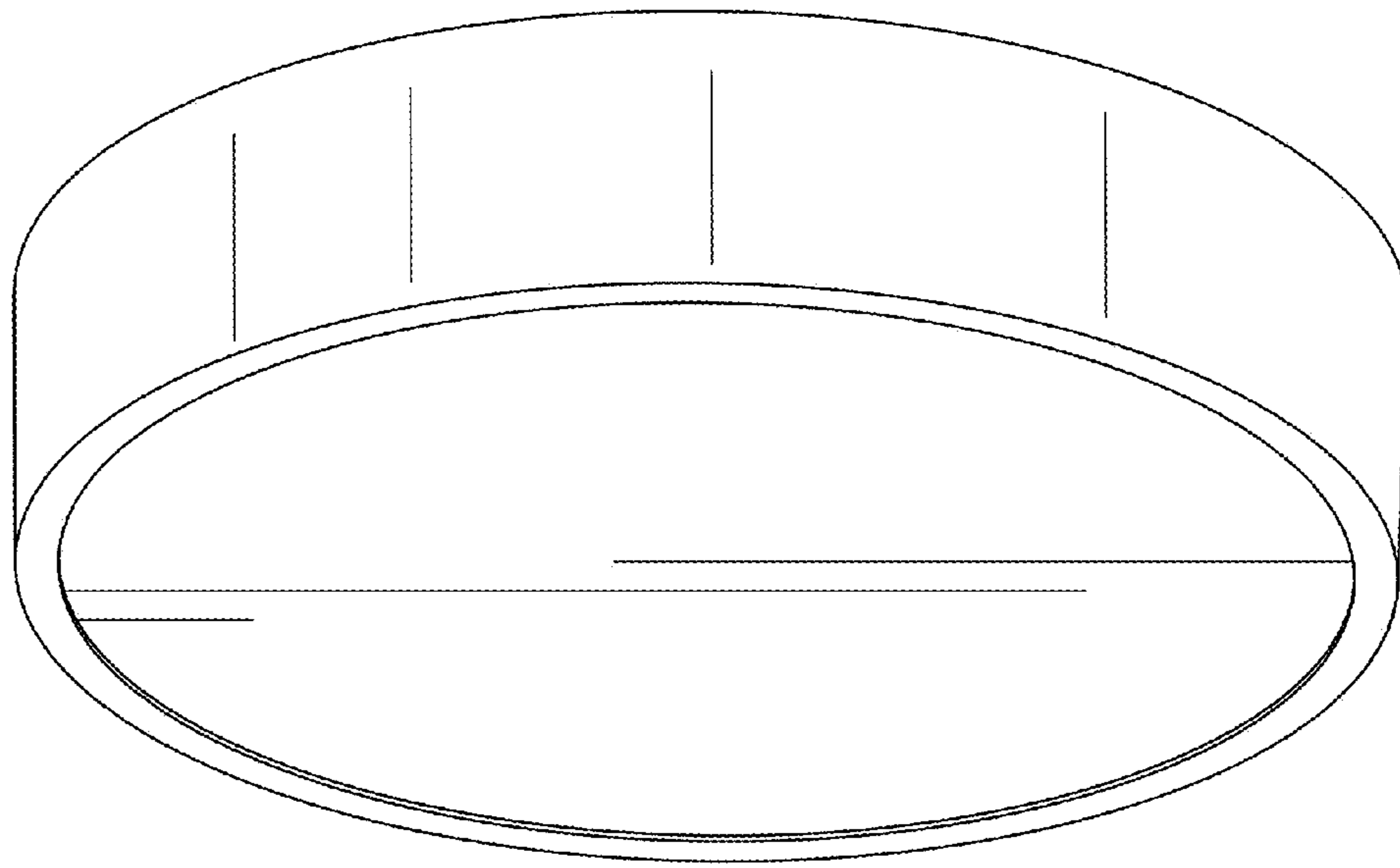


FIG. 7



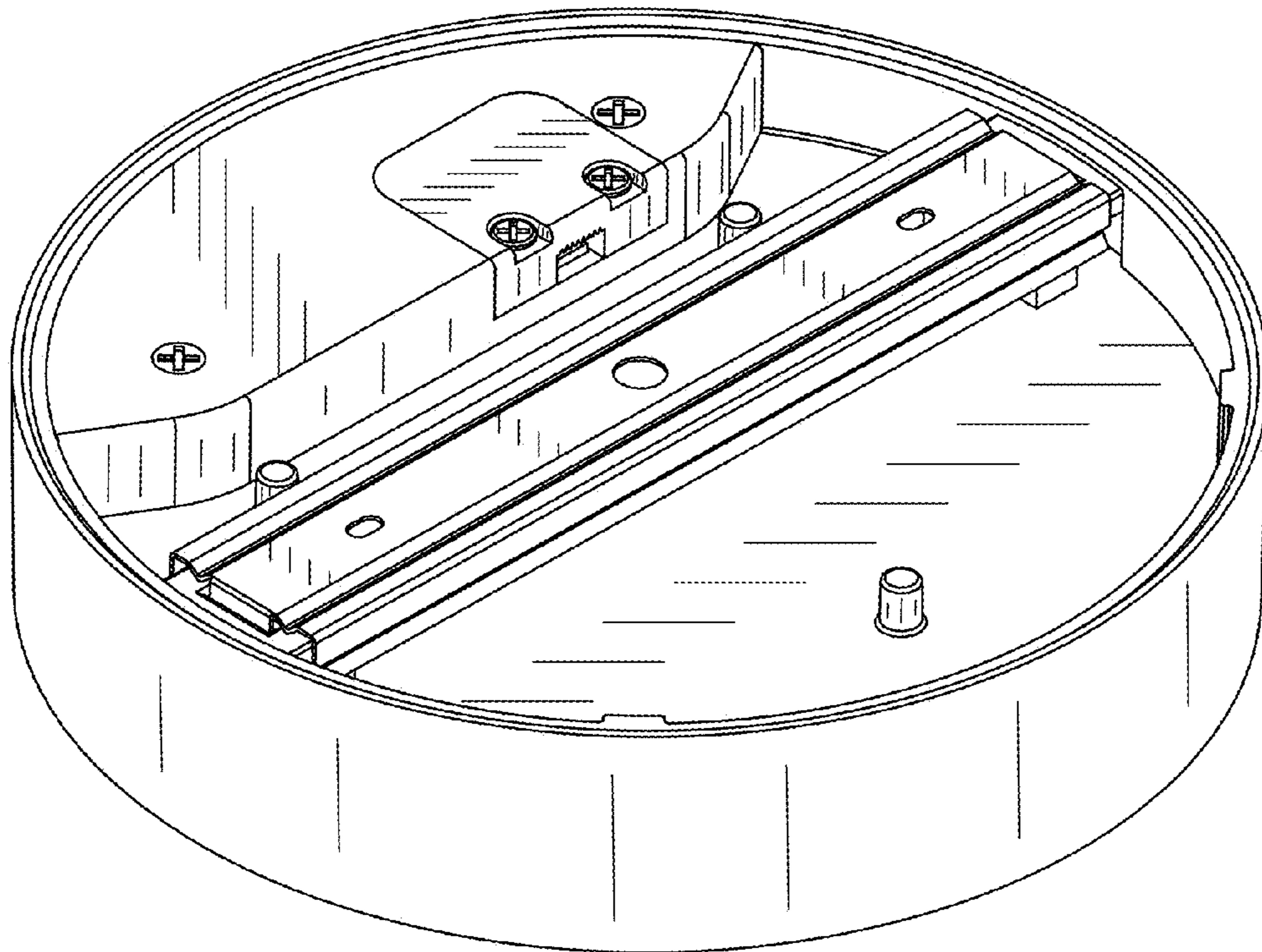


FIG.8

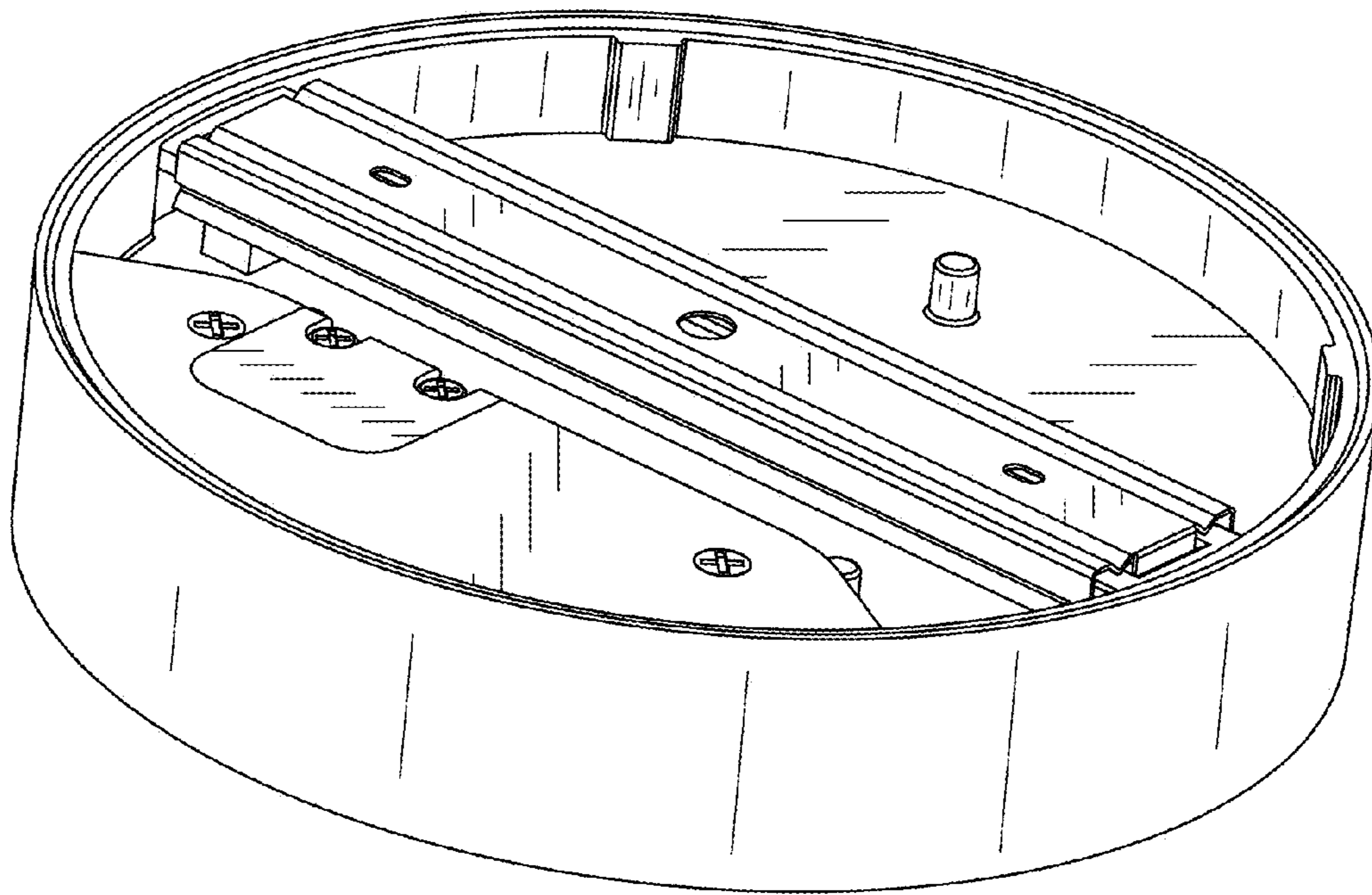


FIG. 9

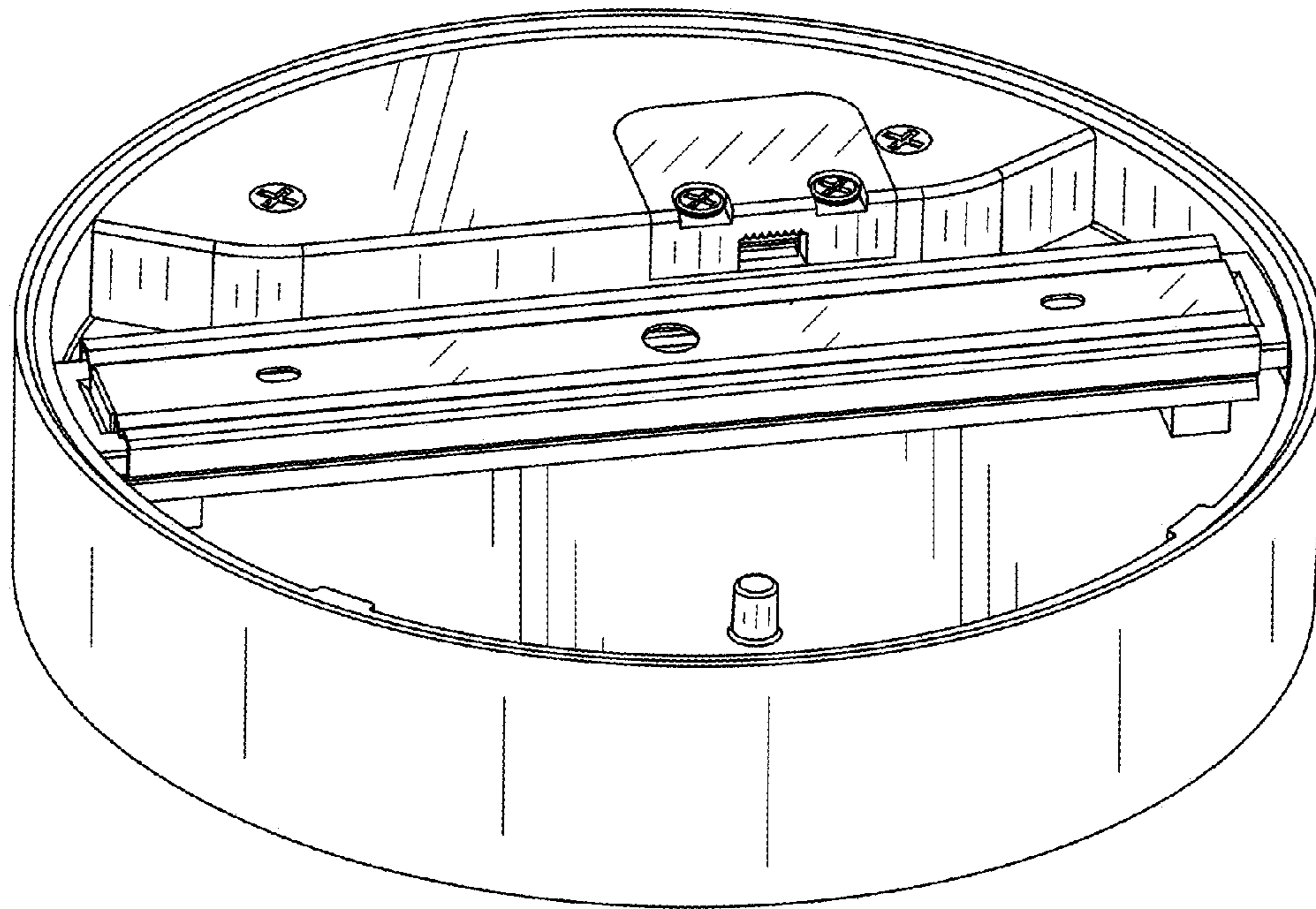


FIG.10

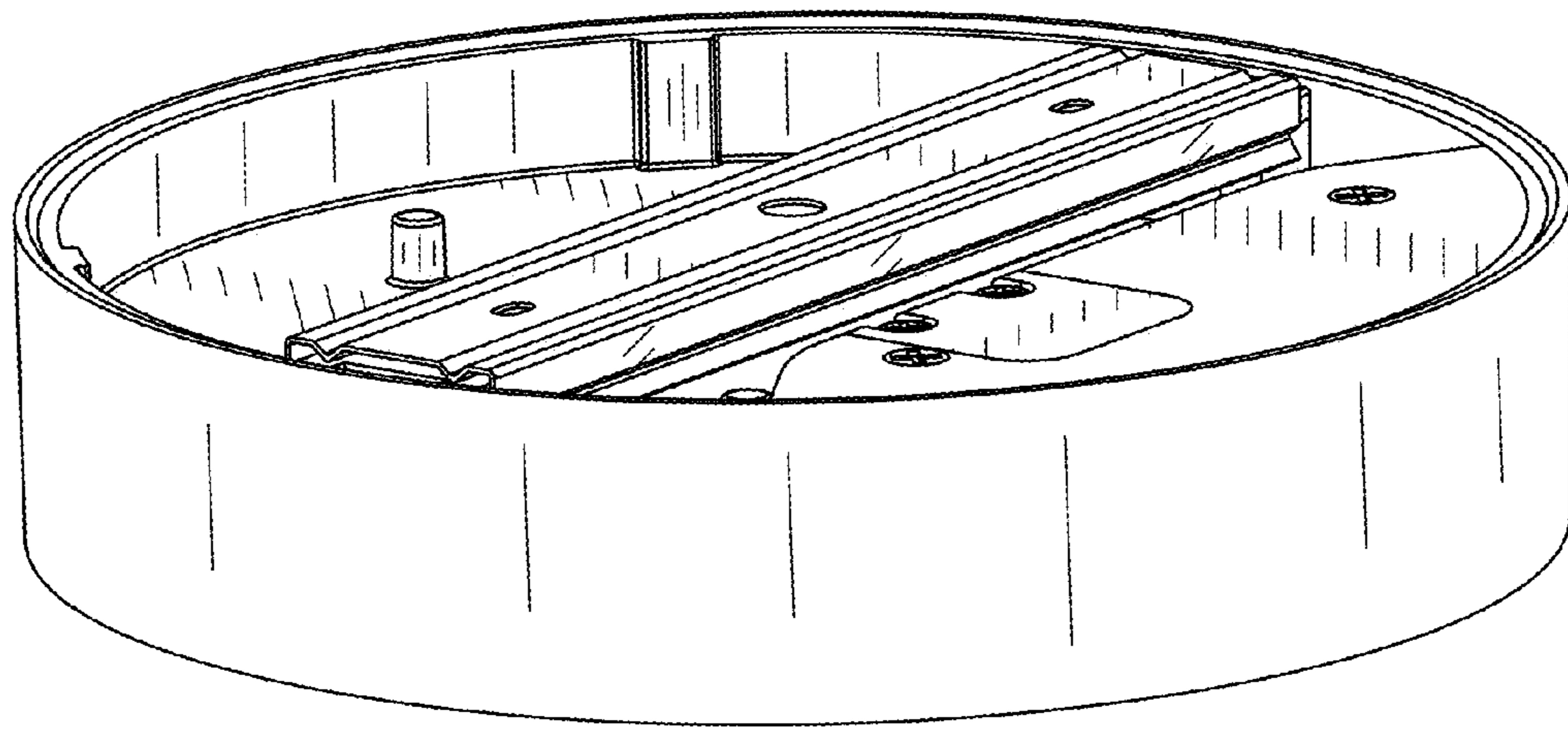


FIG.11