



US00D765902S

(12) **United States Design Patent** (10) **Patent No.:** **US D765,902 S**
Yriberri et al. (45) **Date of Patent:** **** Sep. 6, 2016**

(54) **THIN LED MODULE**
(71) Applicant: **Xicato, Inc.**, San Jose, CA (US)
(72) Inventors: **John S. Yriberri**, San Jose, CA (US);
Patrick T. Riley, Palo Alto, CA (US)
(73) Assignee: **Xicato, Inc.**, San Jose, CA (US)
(**) Term: **14 Years**
(21) Appl. No.: **29/486,696**
(22) Filed: **Apr. 1, 2014**
(51) **LOC (10) Cl.** **26-05**
(52) **U.S. Cl.**
USPC **D26/74**
(58) **Field of Classification Search**
USPC D26/74, 72, 75, 76, 77, 78, 85, 88, 89,
D26/118, 138, 141; 362/364, 365, 373, 145,
362/146, 147, 148, 150, 153, 153.1, 294,
362/296.01, 296.07, 296.08
CPC F21V 29/2262; F21V 7/06; F21V 21/044;
F21V 21/047; F21V 29/2212; F21V 29/2225;
F21V 29/2256; F21V 29/225; F21V 29/2268;
F21Y 2111/002; F21S 8/02; F21S 8/026
See application file for complete search history.

D589,470 S 3/2009 Chen
D598,873 S 8/2009 Tseng
D600,836 S 9/2009 Hanley et al.
D617,491 S * 6/2010 Dordoni D26/85
D625,847 S 10/2010 Maglica
D626,255 S 10/2010 Hiratsuka
D646,830 S * 10/2011 Pan D26/74
D663,880 S * 7/2012 Janssen D26/74
D666,333 S * 8/2012 Kim D26/2
D688,826 S * 8/2013 Fang D26/74
D691,744 S 10/2013 Tseng

(Continued)

OTHER PUBLICATIONS

Notice of Allowance mailed on Jun. 22, 2009 for Design U.S. Appl. No. 29/328,093, filed Nov. 18, 2008 by Xicato, Inc., 8 pages.

(Continued)

Primary Examiner — Angela J Lee
(74) *Attorney, Agent, or Firm* — Silicon Valley Patent Group LLP

(57) **CLAIM**

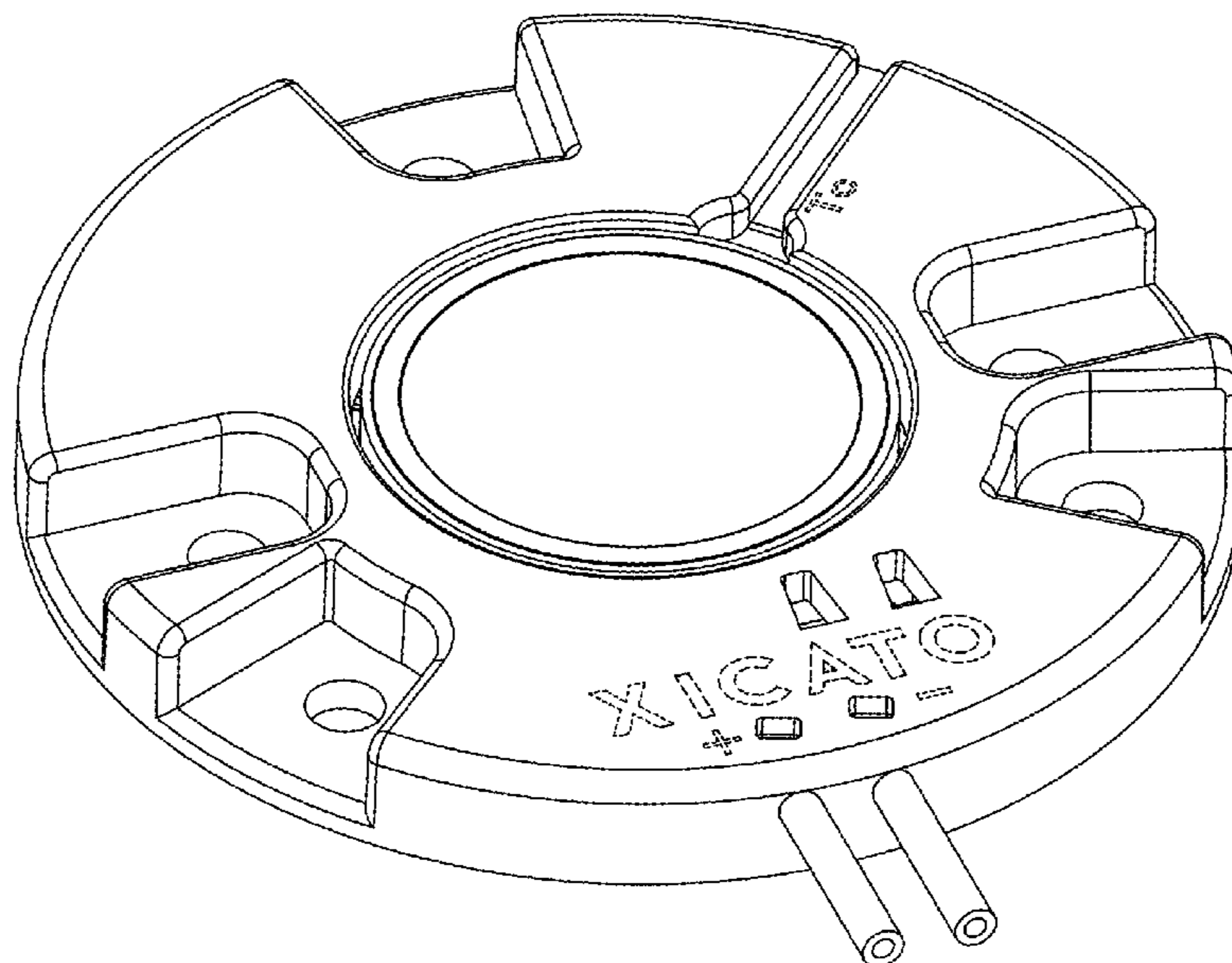
The ornamental design for a thin LED module, as shown.

DESCRIPTION

FIG. 1 is a top plan view of a thin LED module showing my new design;
FIG. 2 is a left elevational view thereof;
FIG. 3 is a right elevational view thereof;
FIG. 4 is a front elevational view thereof;
FIG. 5 is a back elevational view thereof;
FIG. 6 is a bottom plan view thereof;
FIG. 7 is a top right perspective view thereof;
FIG. 8 is a top left perspective view thereof; and,
FIG. 9 is a bottom perspective view thereof.

1 Claim, 5 Drawing Sheets

(56) **References Cited**
U.S. PATENT DOCUMENTS
D400,274 S * 10/1998 Ziaylek, Jr. D10/111
D508,291 S 8/2005 Janssen
D509,617 S * 9/2005 Benghozi D26/74
D512,694 S 12/2005 Kim et al.
D548,857 S 8/2007 Egawa
D563,333 S 3/2008 Kim
D564,129 S * 3/2008 Tufano D26/138
7,479,660 B2 1/2009 Kobilke



(56)

References Cited

U.S. PATENT DOCUMENTS

D697,650 S * 1/2014 Maxik D26/63
8,783,938 B2 * 7/2014 Alexander F21S 48/328
362/294
D728,129 S * 4/2015 Kreuzbichler D26/1
D744,963 S * 12/2015 Tseng D13/180
2006/0169999 A1 8/2006 Park et al.
2006/0180824 A1 8/2006 Kim et al.
2008/0217643 A1 9/2008 Lin et al.
2016/0076754 A1 * 3/2016 Creusen F21V 29/505
362/84

OTHER PUBLICATIONS

Amendment after Notice of Allowance mailed on Jul. 14, 2009 for Design U.S. Appl. No. 29/328,093, filed Nov. 18, 2008 by Xicato, Inc., 4 pages.
Notice of Allowance mailed on Aug. 16, 2013 for Design U.S. Appl. No. 29/416,035, filed Mar. 16, 2012 by Xicato, Inc., 11 pages.
Amendment after Notice of Allowance mailed on Aug. 27, 2013 by for Design U.S. Appl. No. 29/416,035, filed Mar. 16, 2012 by Xicato, Inc., 6 pages.
Design U.S. Appl. No. 29/486,695, filed Apr. 1, 2014 by Xicato, Inc., 6 pages.

* cited by examiner

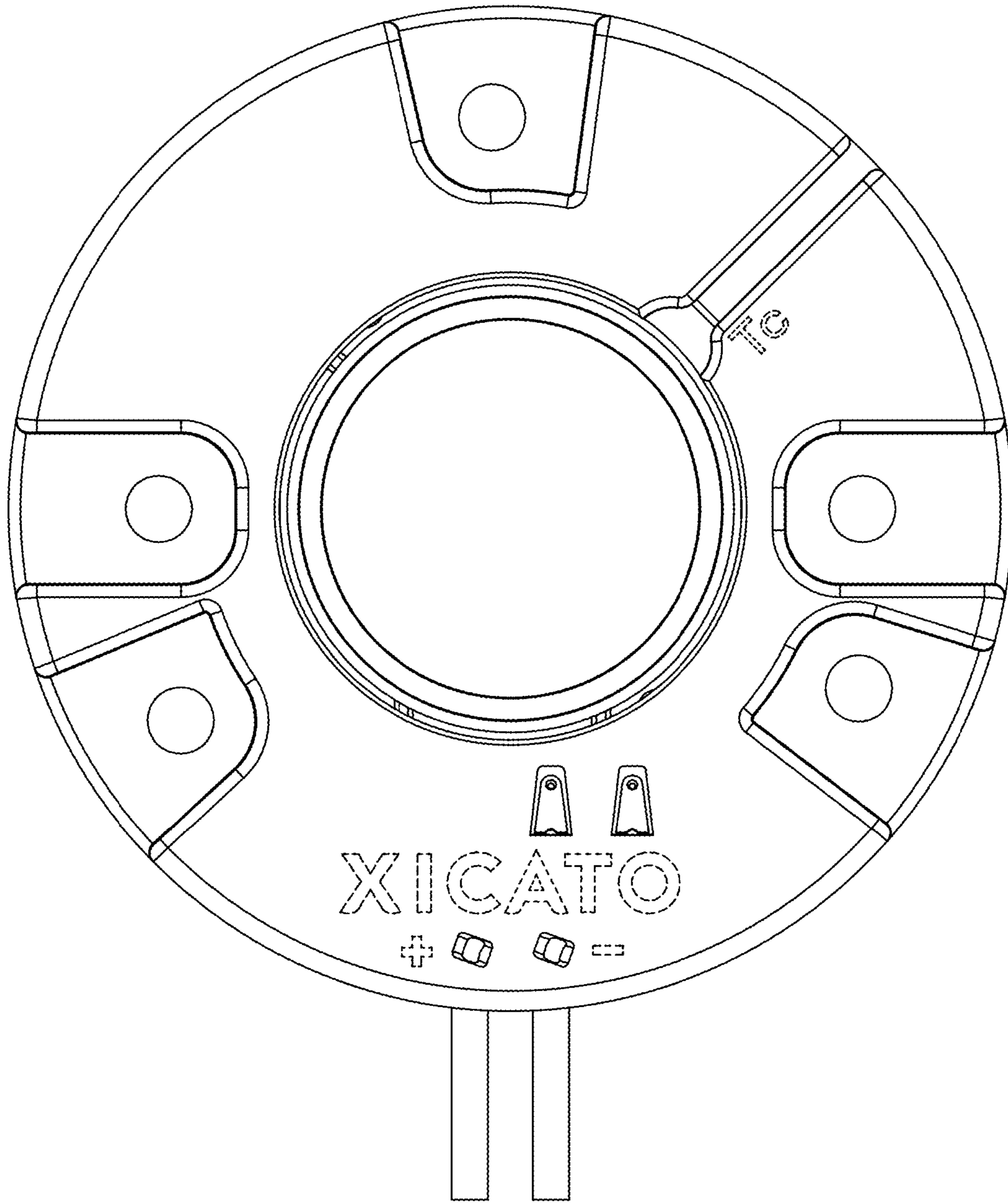


FIG. 1

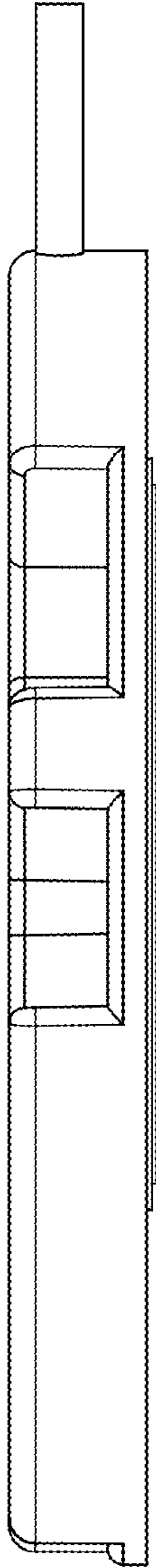


FIG. 2

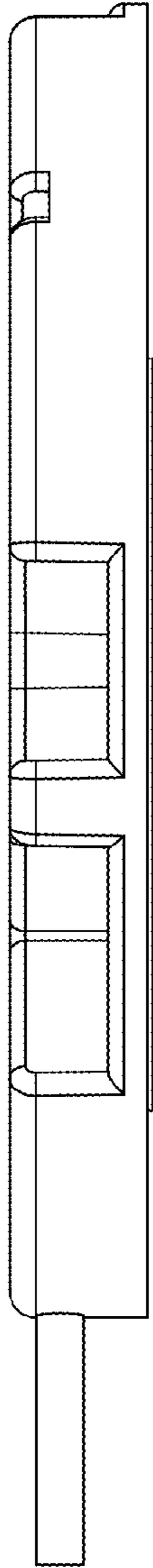


FIG. 3

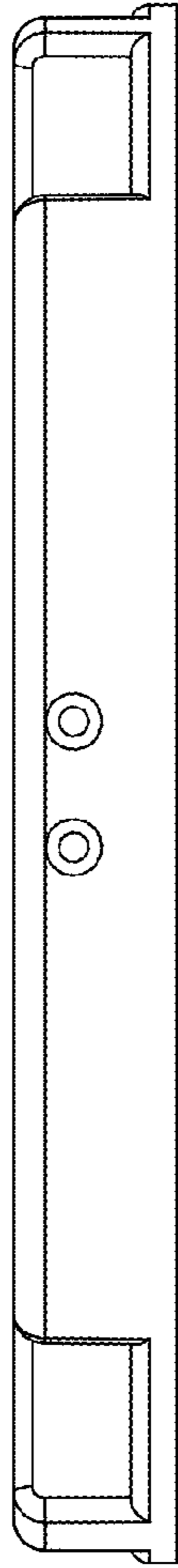


FIG. 4

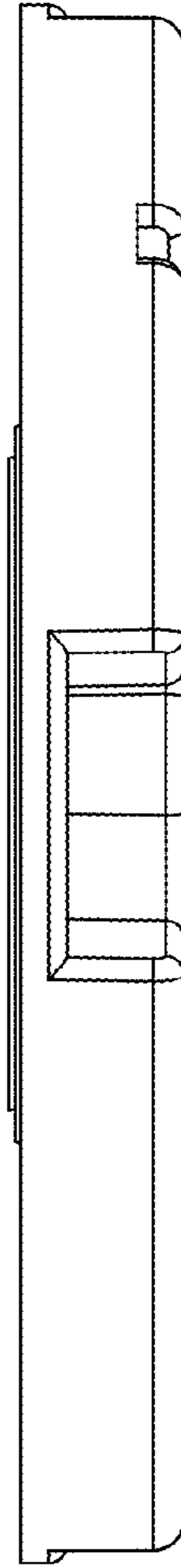


FIG. 5

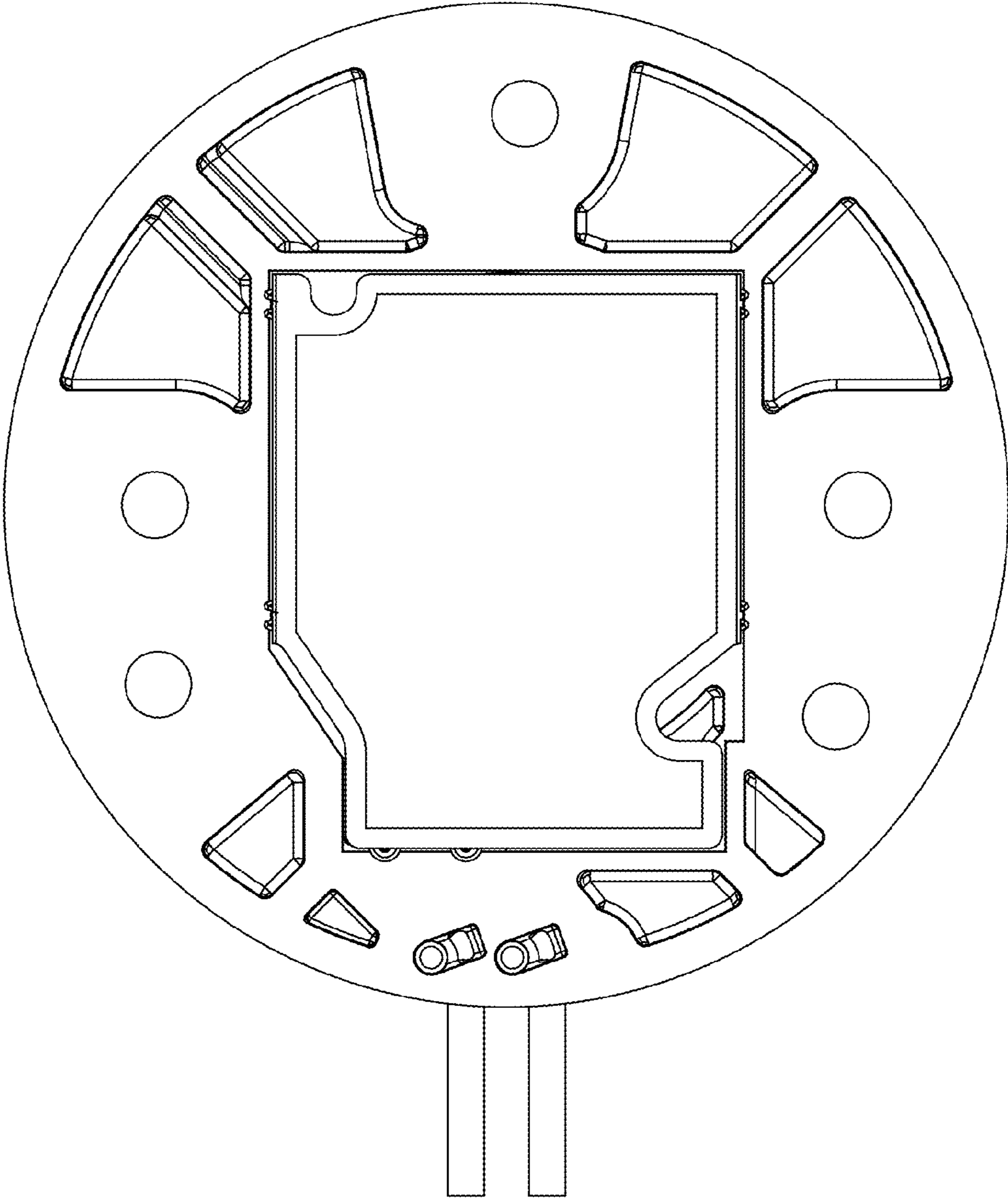


FIG. 6

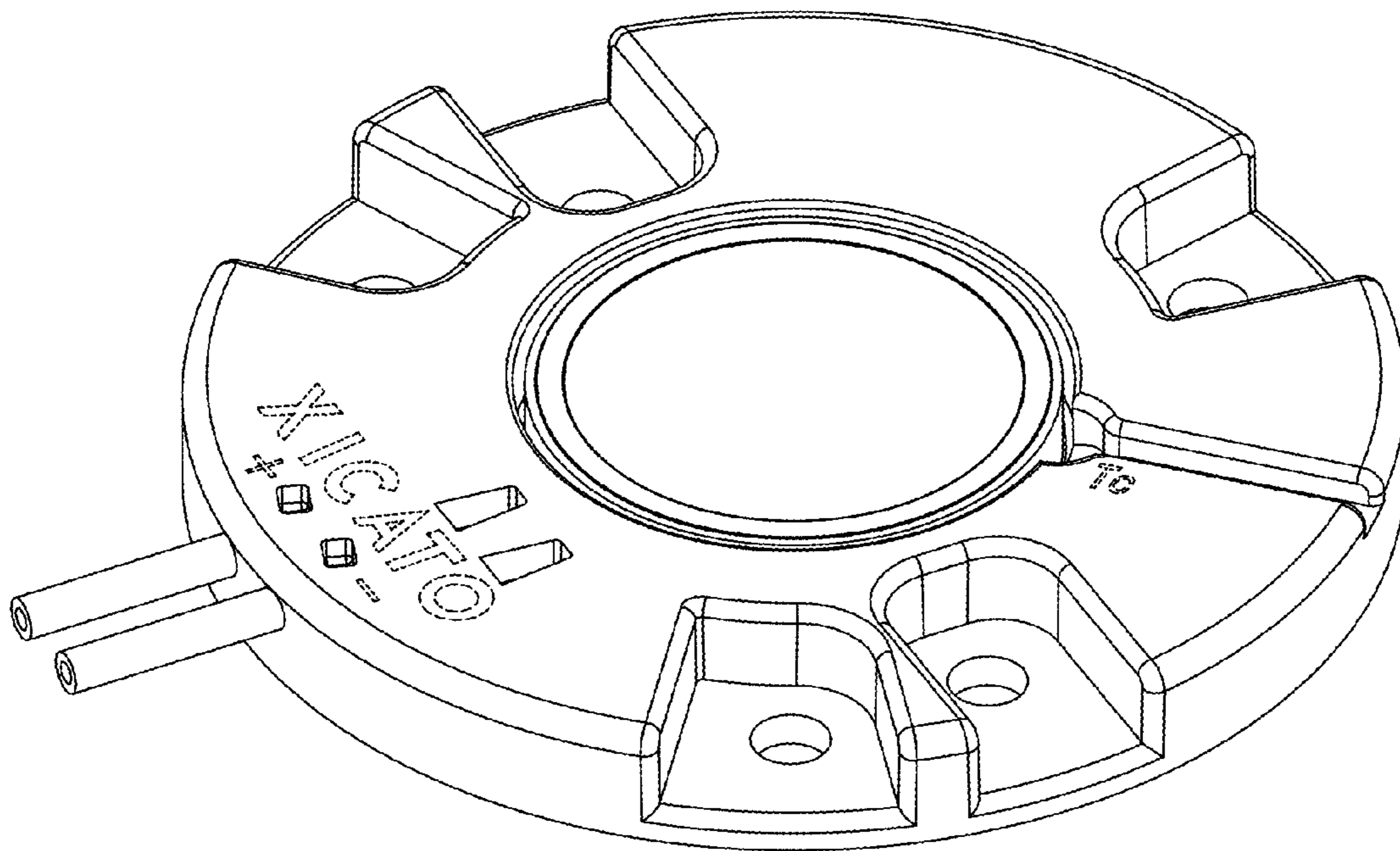


FIG. 7

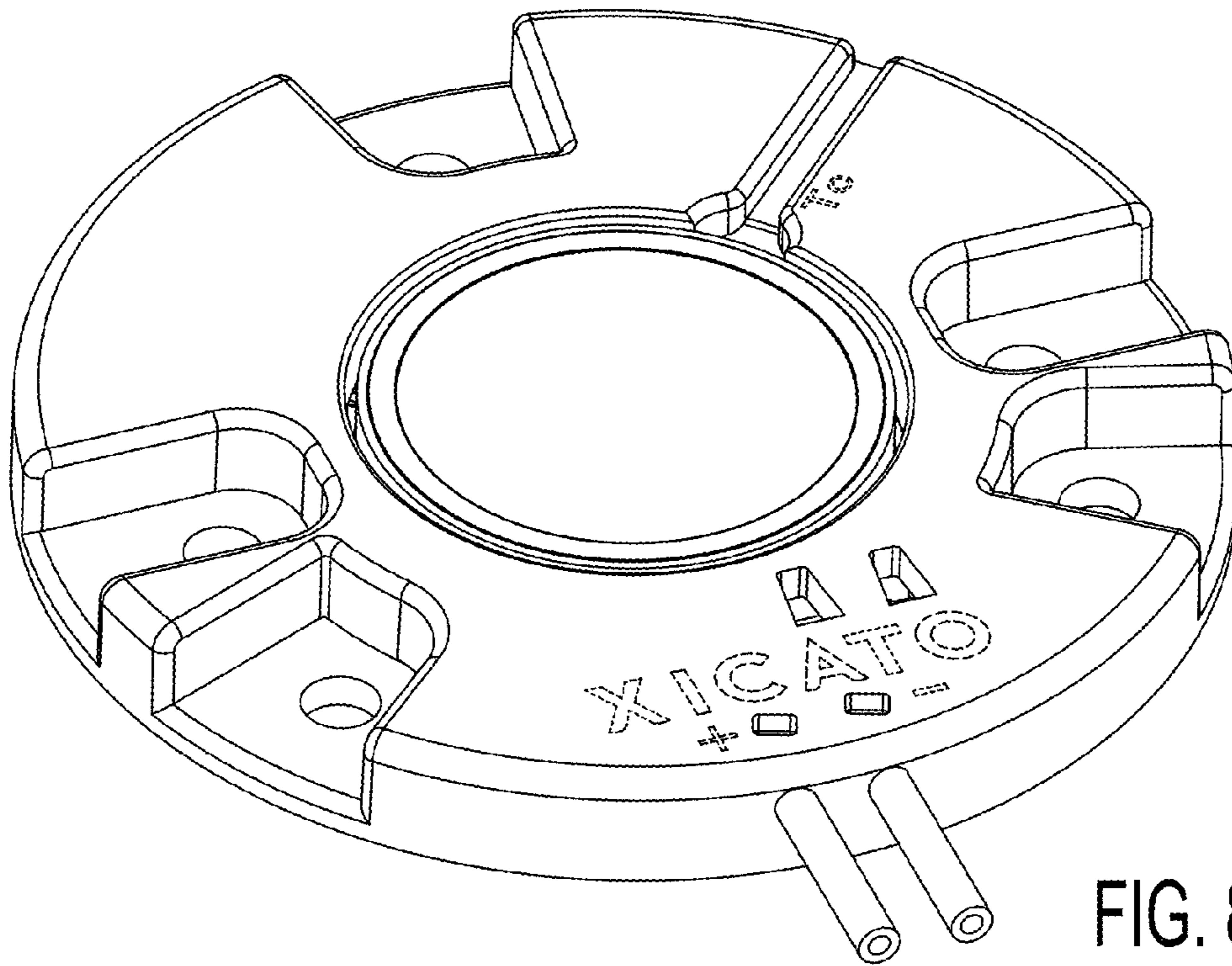


FIG. 8

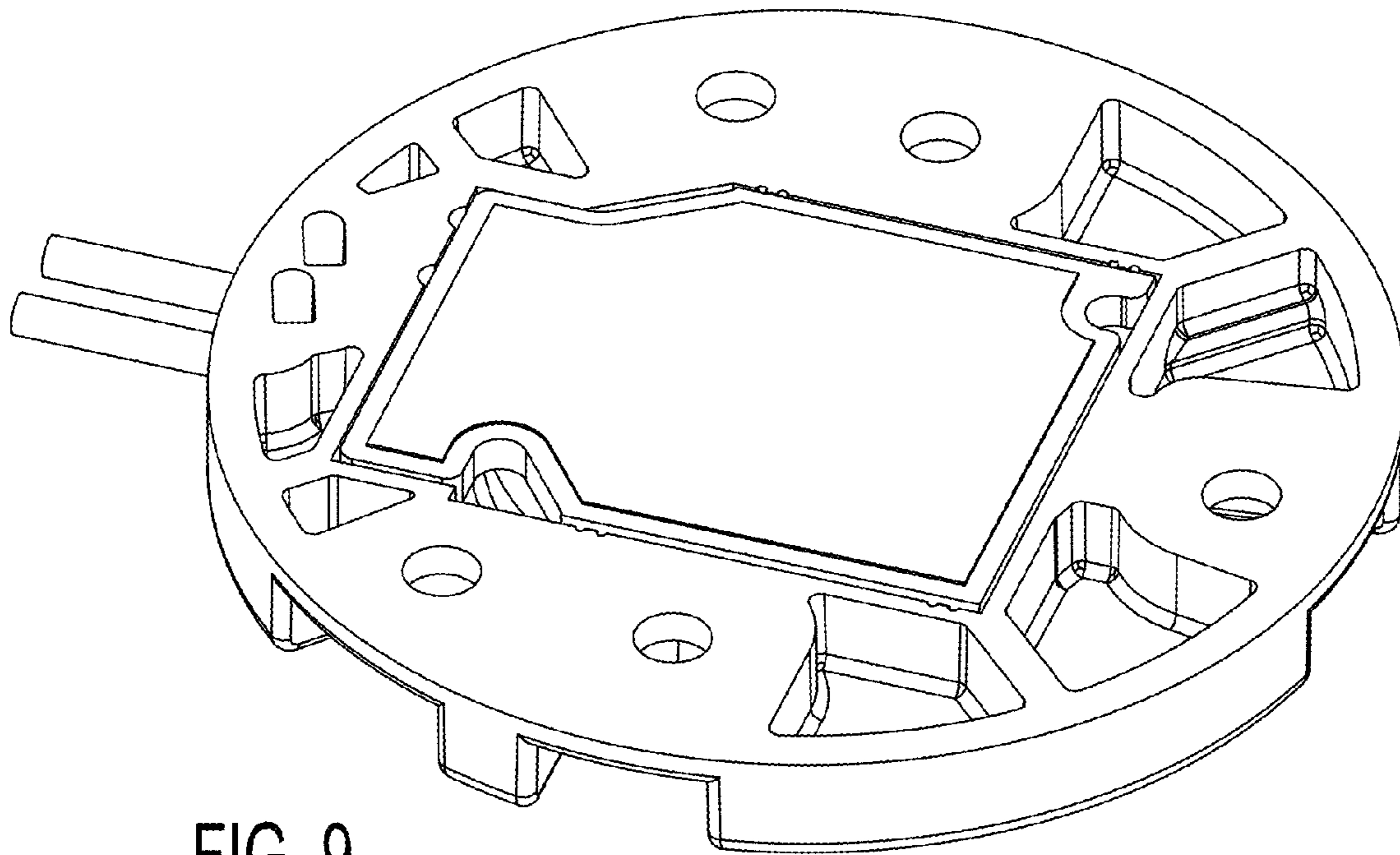


FIG. 9