



US00D765901S

(12) **United States Design Patent**
Chen

(10) **Patent No.:** **US D765,901 S**

(45) **Date of Patent:** **** Sep. 6, 2016**

(54) **SECURITY LIGHT**

(71) Applicant: **Chia-Teh Chen**, Taipei (TW)

(72) Inventor: **Chia-Teh Chen**, Taipei (TW)

(**) Term: **15 Years**

(21) Appl. No.: **29/531,787**

(22) Filed: **Jun. 30, 2015**

(51) **LOC (10) Cl.** **26-03**

(52) **U.S. Cl.**
USPC **D26/63**

(58) **Field of Classification Search**
USPC D26/24, 51, 61, 63, 65, 72, 80
CPC F21S 8/04; F21S 8/00; F21V 21/00;
F21V 17/02; F21V 14/02; F21V 21/30;
F21V 21/14; F21V 21/26; F21W 2131/10
See application file for complete search history.

(56) **References Cited**

U.S. PATENT DOCUMENTS

- 5,649,761 A * 7/1997 Sandell F21V 17/02
362/276
- D628,329 S * 11/2010 Tuli D26/63
- D713,579 S * 9/2014 Chen D26/63

- D713,581 S * 9/2014 Chen D26/63
- D713,582 S * 9/2014 Liang D26/63
- D742,053 S * 10/2015 Sussman D26/63
- D745,201 S * 12/2015 Lee D26/63

* cited by examiner

Primary Examiner — Brian N Vinson

(74) *Attorney, Agent, or Firm* — Li & Cai Intellectual Property (USA) Office

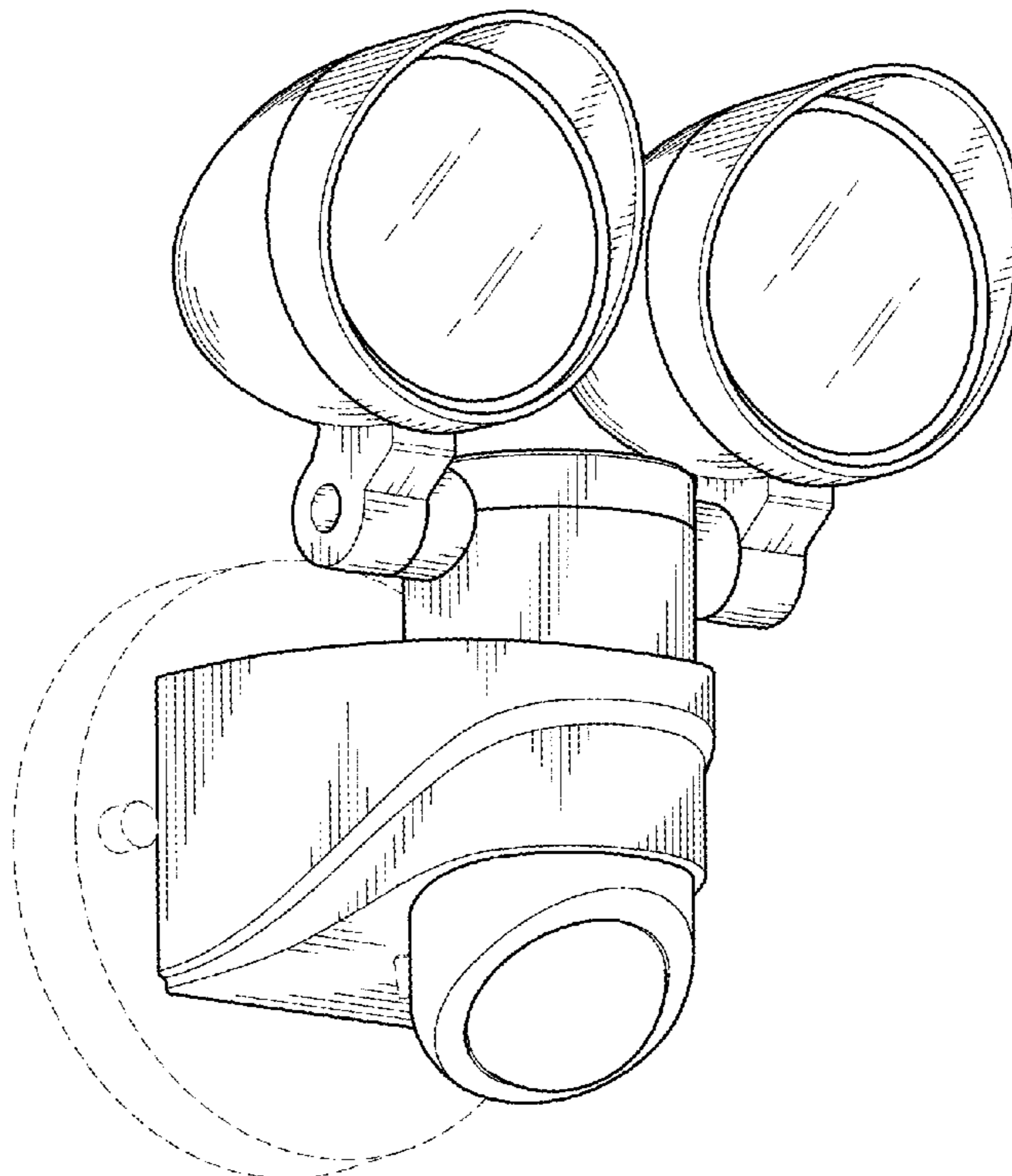
(57) **CLAIM**

The ornamental design for a security light, as shown and described.

DESCRIPTION

FIG. 1 is a perspective view of a security light showing my new design;
 FIG. 2 is a front view thereof;
 FIG. 3 is a rear view thereof;
 FIG. 4 is a left side view thereof;
 FIG. 5 is a right side view thereof;
 FIG. 6 is a top view thereof; and,
 FIG. 7 is a bottom view thereof.
 The broken line disclosure represents portions of the light which form no part of the claimed design.

1 Claim, 7 Drawing Sheets



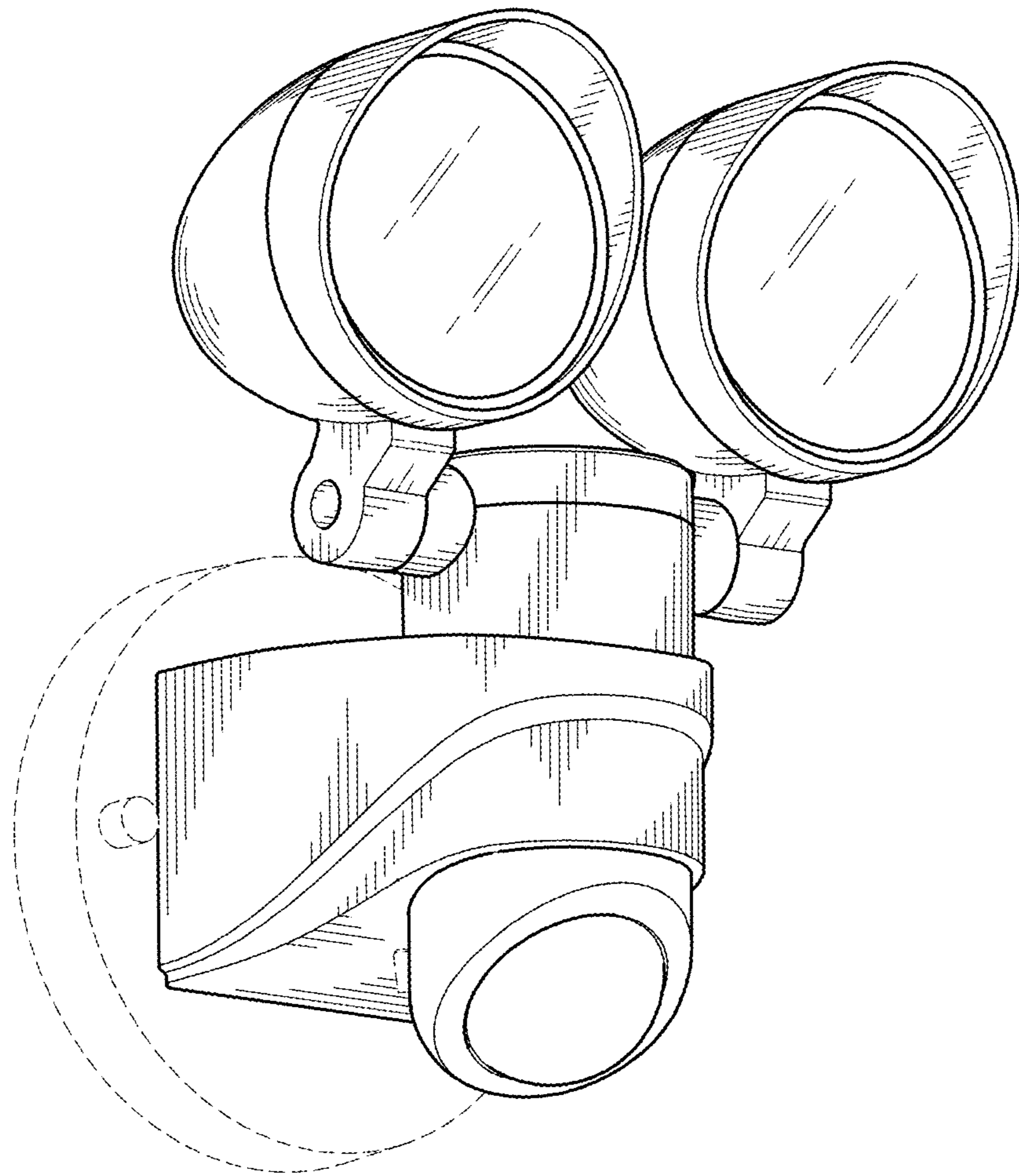


FIG.1

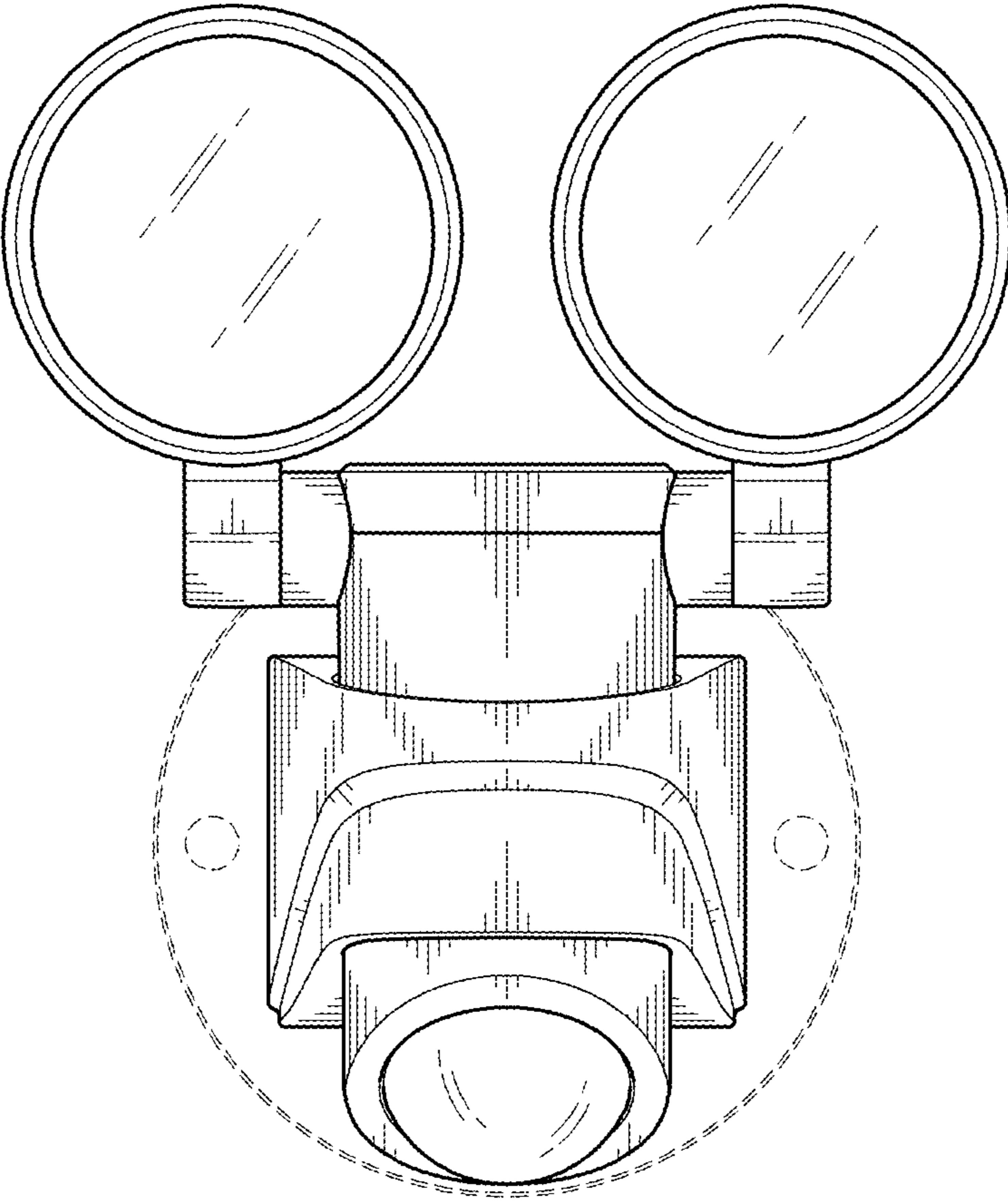


FIG.2

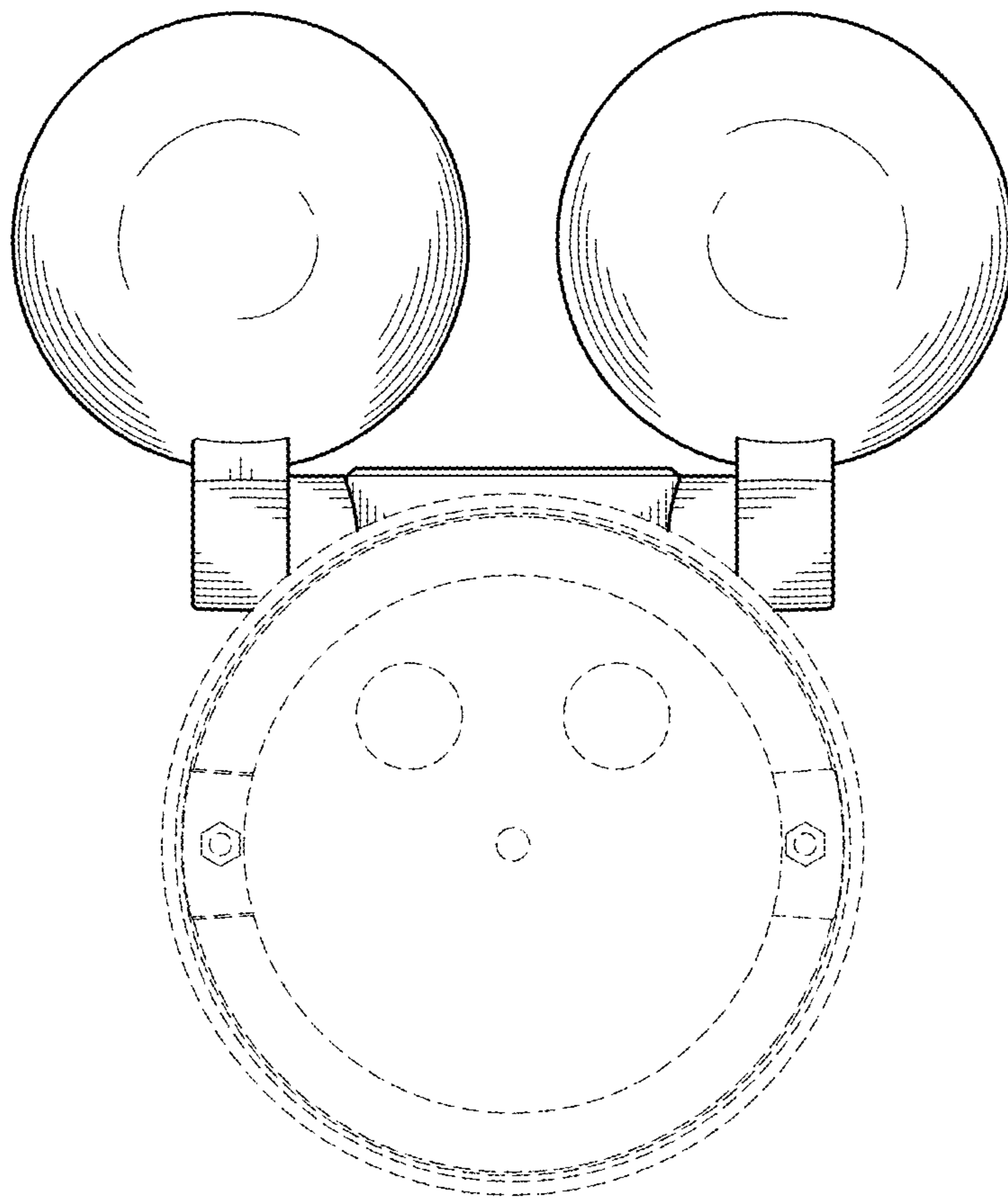


FIG.3

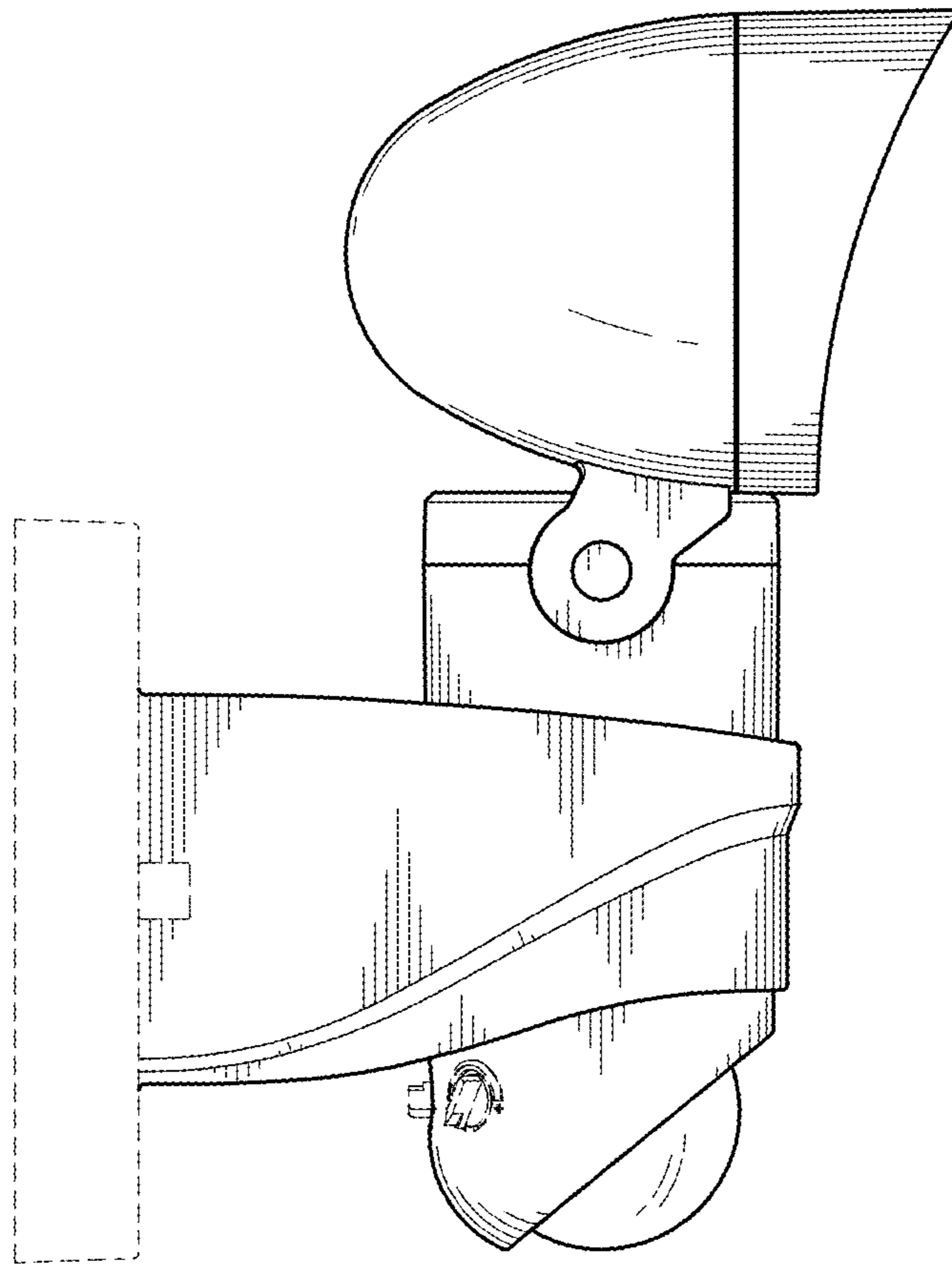


FIG.4

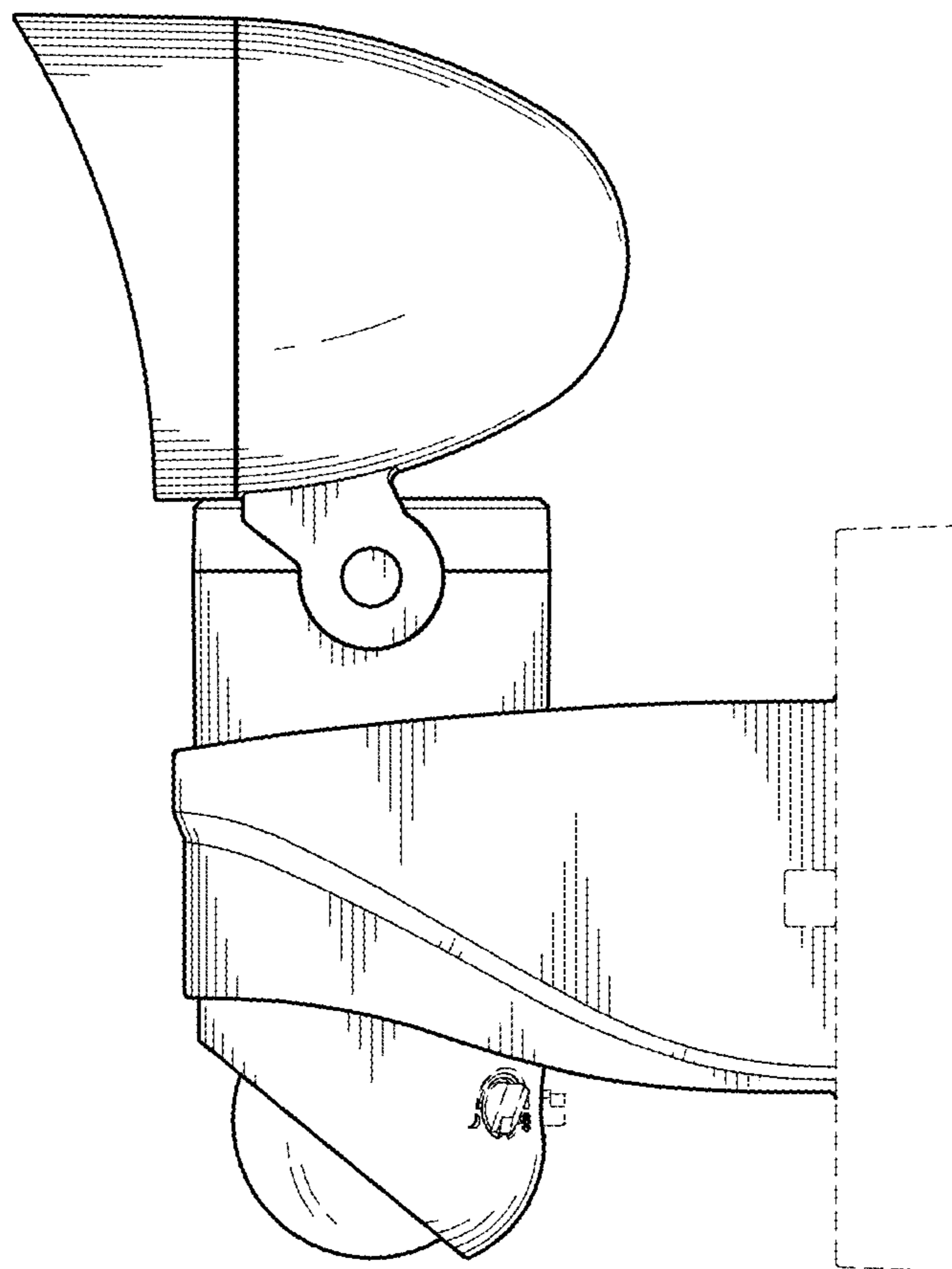


FIG.5

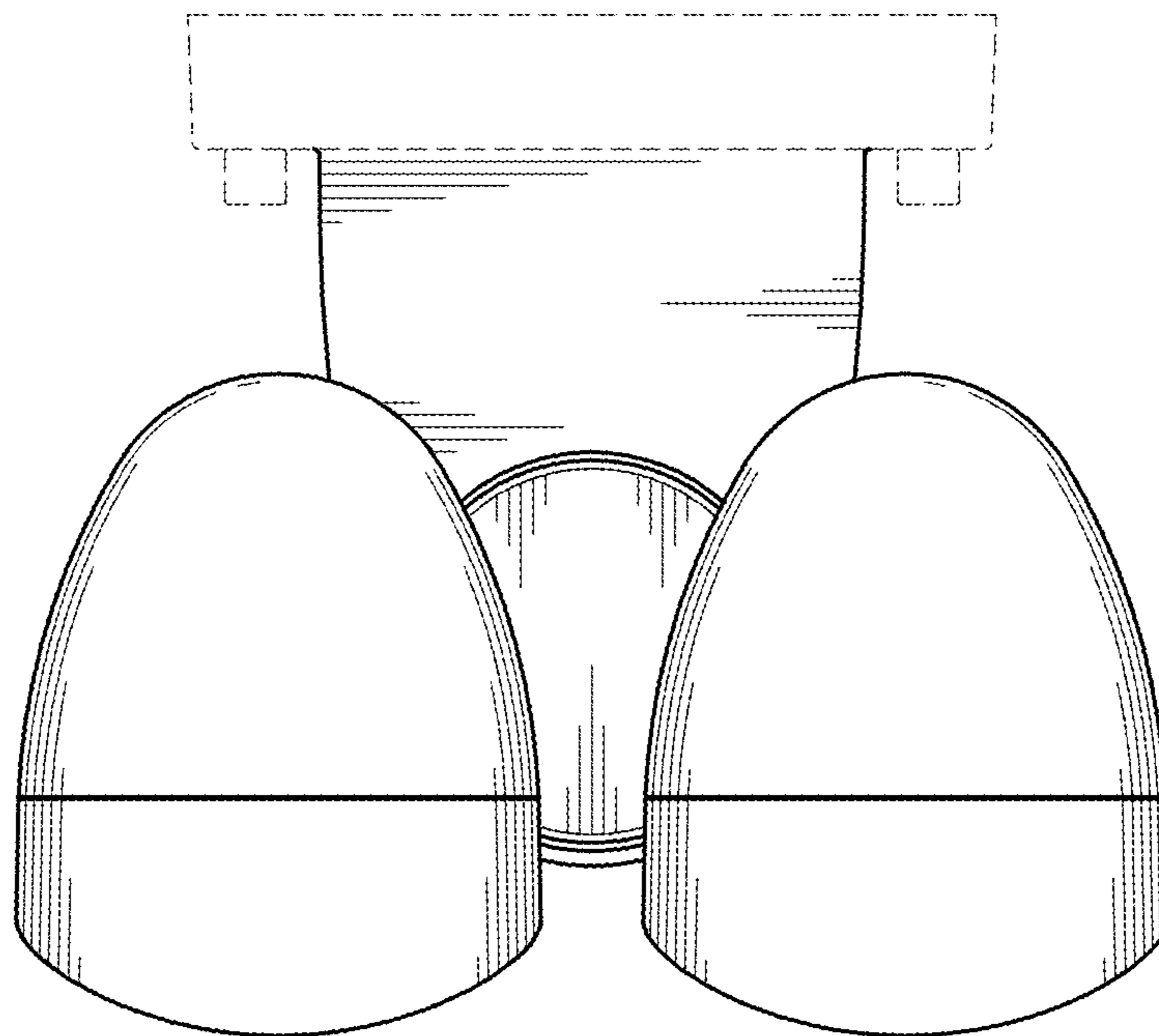


FIG.6

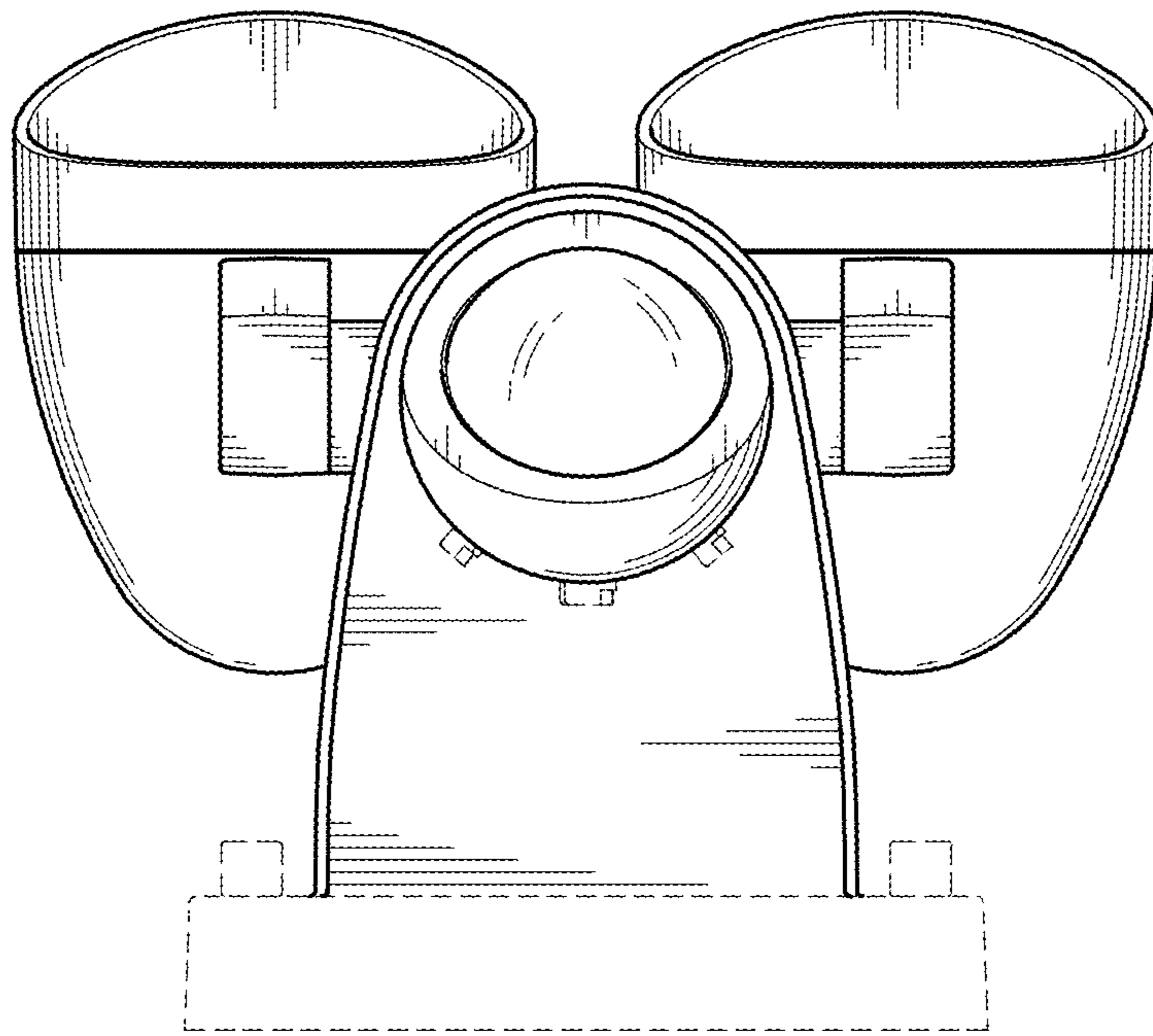


FIG. 7