



US00D765900S

(12) **United States Design Patent**  
**Oh et al.**

(10) **Patent No.:** **US D765,900 S**  
(45) **Date of Patent:** **\*\* Sep. 6, 2016**

(54) **LAMP**

D654,199 S \* 2/2012 Xie ..... D26/63  
D665,938 S \* 8/2012 Kim ..... D26/63  
D739,976 S \* 9/2015 Wu ..... D26/63

(71) Applicant: **3M INNOVATIVE PROPERTIES COMPANY**, St. Paul, MN (US)

**FOREIGN PATENT DOCUMENTS**

(72) Inventors: **Seung Youb Oh**, Gyeonggi-do (KR);  
**In-Hwan Lee**, Gyeonggi-do (KR)

KR 10-20080087242 10/2008  
KR 10-20090034411 4/2009  
KR 10-20090062318 6/2009  
KR 10-200923646 10/2009  
KR 10-20100003149 1/2010  
KR 10-20100016798 2/2010  
KR 10-20100027121 3/2010  
KR 10-20110029277 3/2011  
KR 10-20120001767 1/2012

(73) Assignee: **3M INNOVATIVE PROPERTIES COMPANY**, St. Paul, MN (US)

(\*\*) Term: **14 Years**

\* cited by examiner

(21) Appl. No.: **29/497,356**

*Primary Examiner* — Brian N Vinson

(22) Filed: **Jul. 23, 2014**

(74) *Attorney, Agent, or Firm* — Irina Hass

(30) **Foreign Application Priority Data**

Apr. 30, 2014 (KR) ..... 2014-0022005

(51) **LOC (10) Cl.** ..... **26-03**

(52) **U.S. Cl.**  
USPC ..... **D26/63**

(58) **Field of Classification Search**  
USPC ..... D26/1, 24, 61, 63, 65, 85, 92  
CPC ..... F21V 21/14; F21V 15/01; F21V 14/02;  
F21V 21/30; F21V 21/00; F21V 14/00;  
F21S 8/00; F21S 8/003; F21S 8/043; F21Y  
2105/001

See application file for complete search history.

(56) **References Cited**

**U.S. PATENT DOCUMENTS**

D386,273 S \* 11/1997 Yan ..... D26/63  
D601,288 S \* 9/2009 Thomson ..... D26/63  
D604,883 S \* 11/2009 Park ..... D26/65  
D628,331 S \* 11/2010 Tang ..... D26/63  
D637,331 S \* 5/2011 Lee ..... D26/63

(57) **CLAIM**

The ornamental design for a lamp, as shown and described.

**DESCRIPTION**

FIG. 1 is a perspective view showing the new design for a lamp;

FIG. 2 is a front view thereof;

FIG. 3 is a rear view thereof;

FIG. 4 is a left side view thereof;

FIG. 5 is a right side view thereof;

FIG. 6 is a top view thereof;

FIG. 7 is a bottom view thereof;

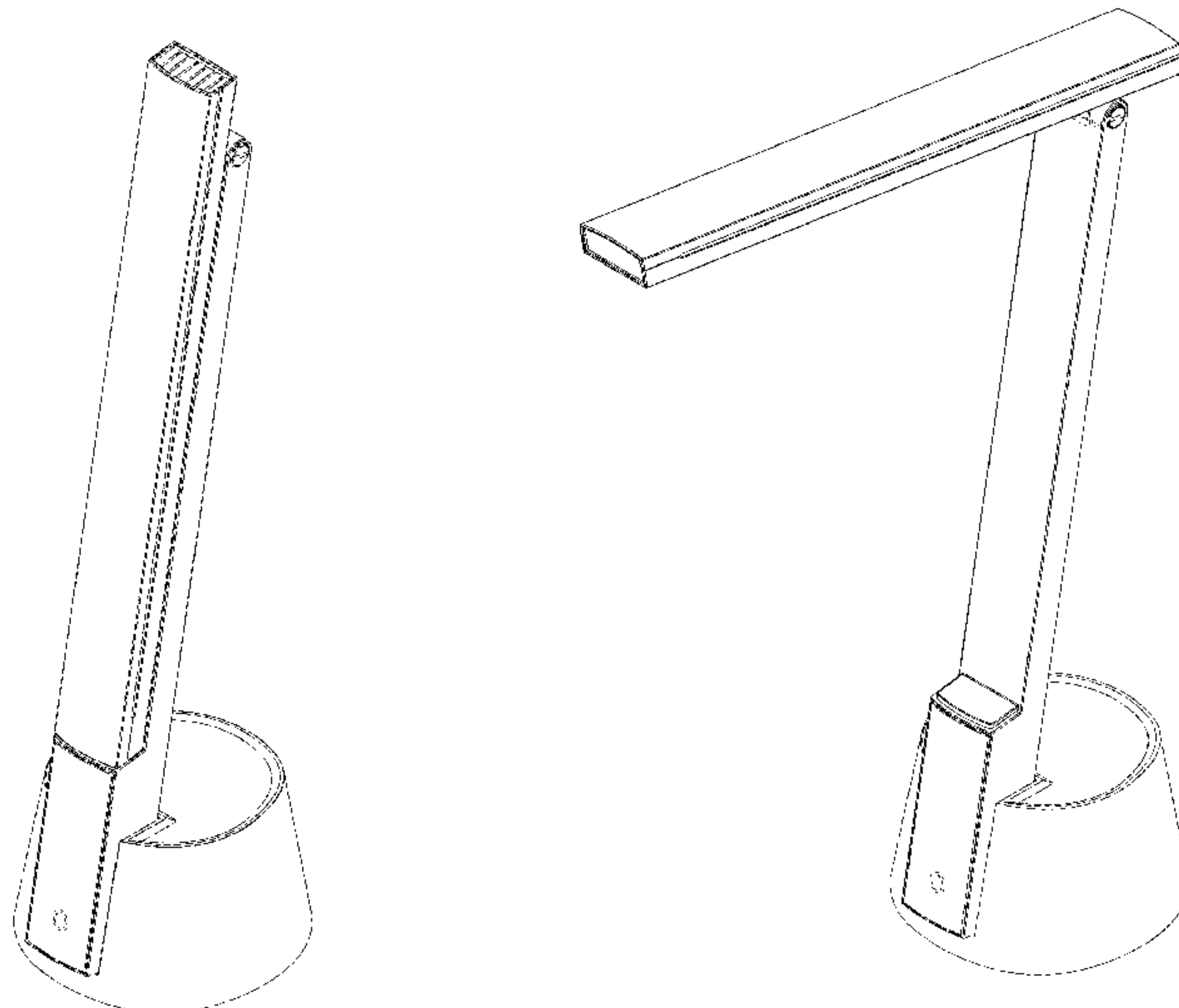
FIG. 8 is a top perspective view thereof in an open position;

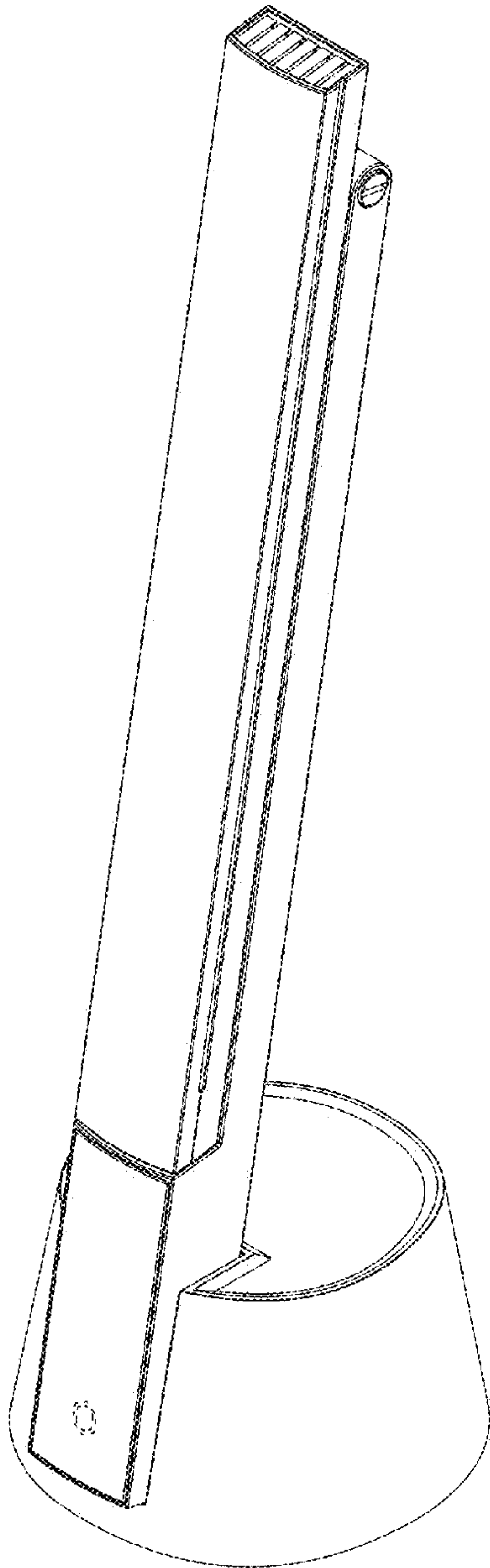
FIG. 9 is a bottom perspective view thereof in an open position; and,

FIG. 10 is a top perspective view of a portion thereof.

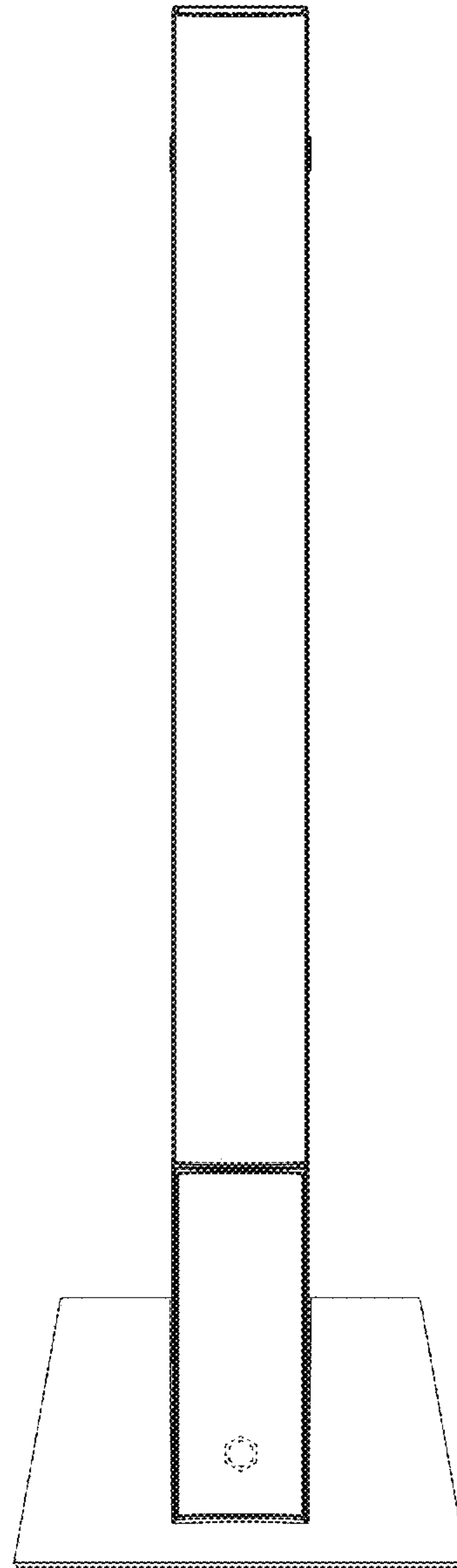
The broken line disclosure represents portions of the lamp which form no part of the claimed design.

**1 Claim, 6 Drawing Sheets**

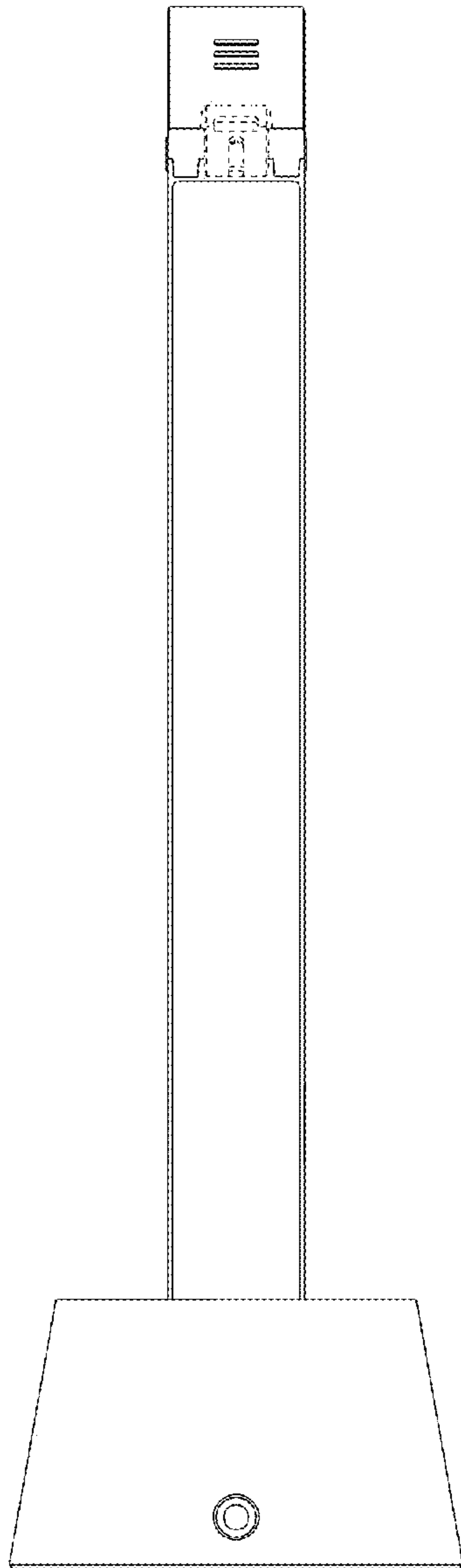




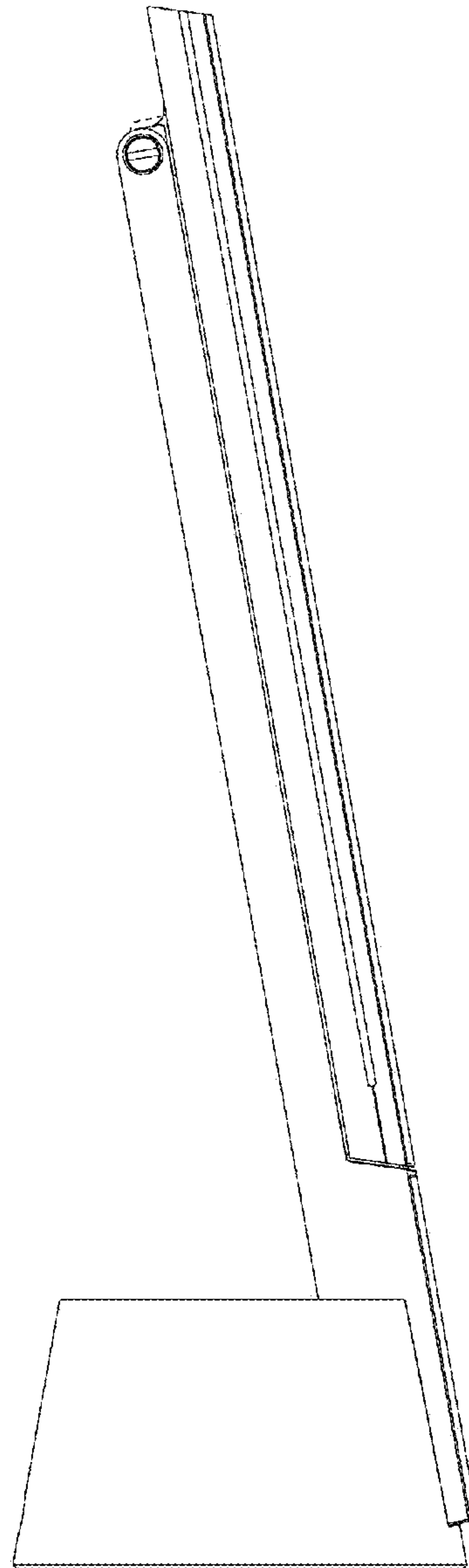
*Fig. 1*



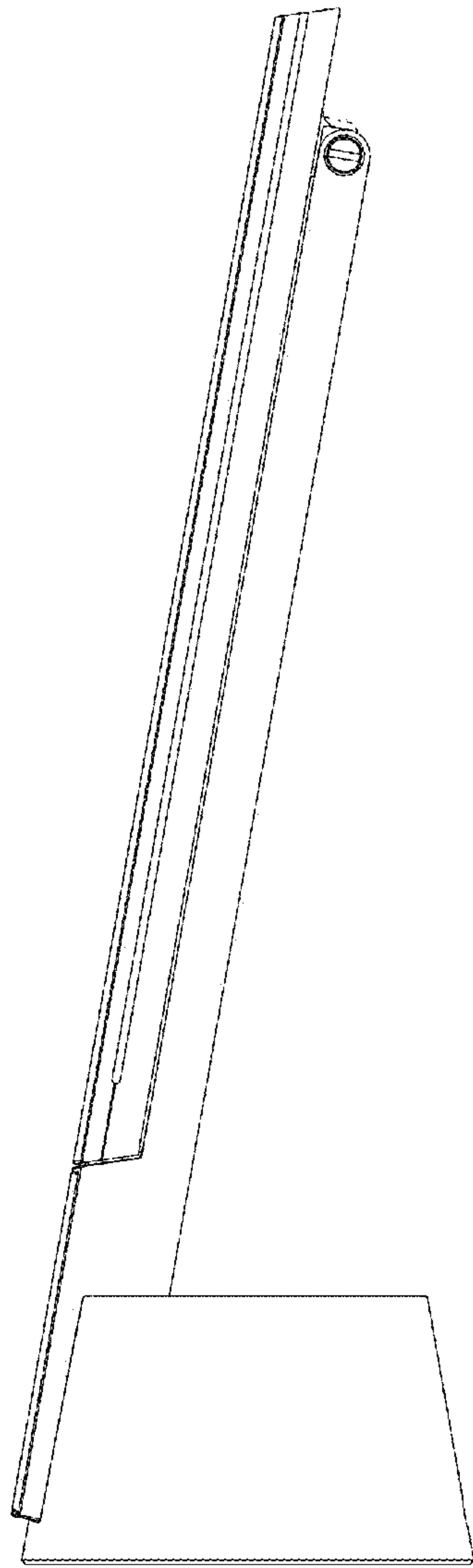
*Fig. 2*



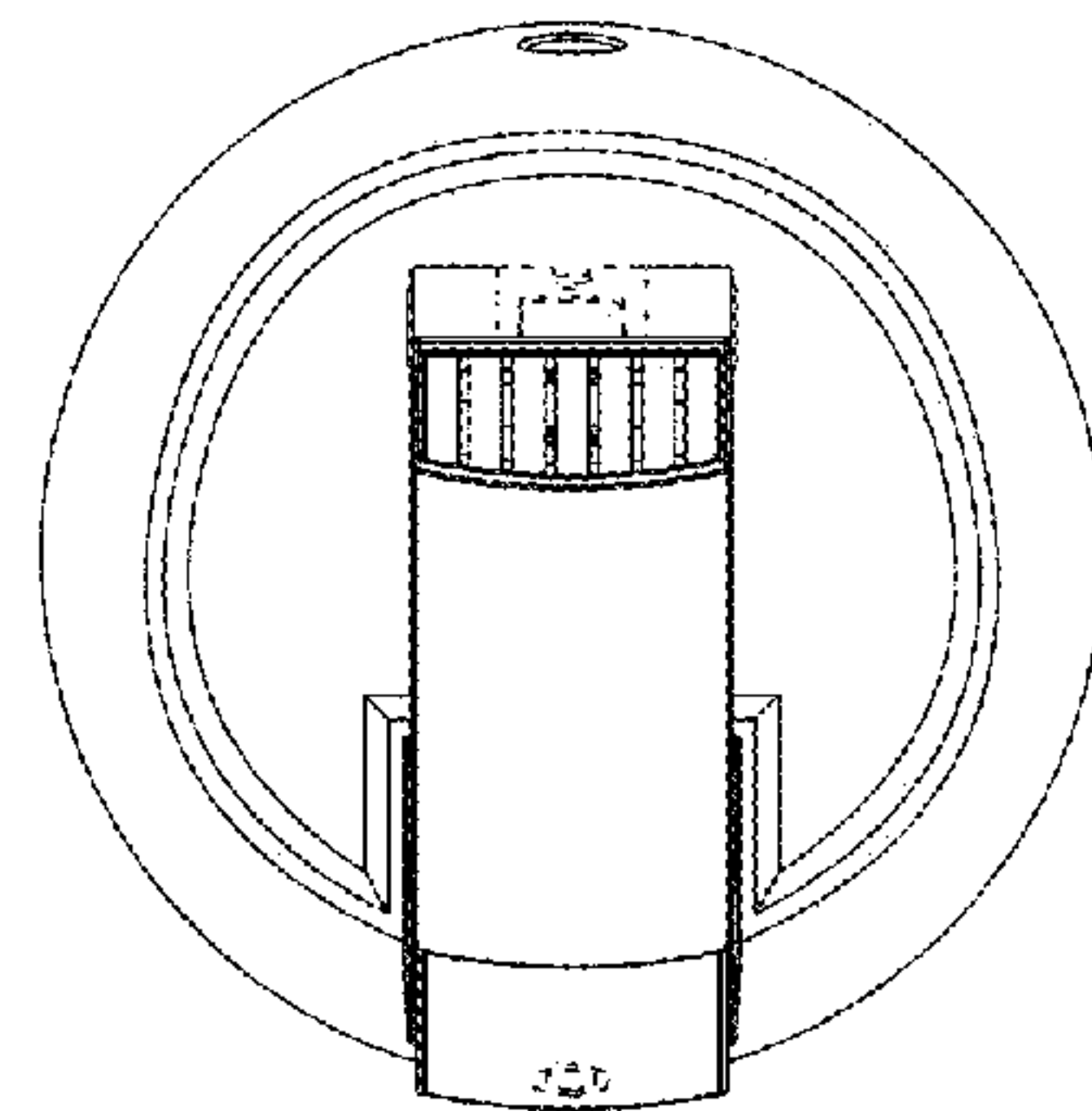
*Fig. 3*



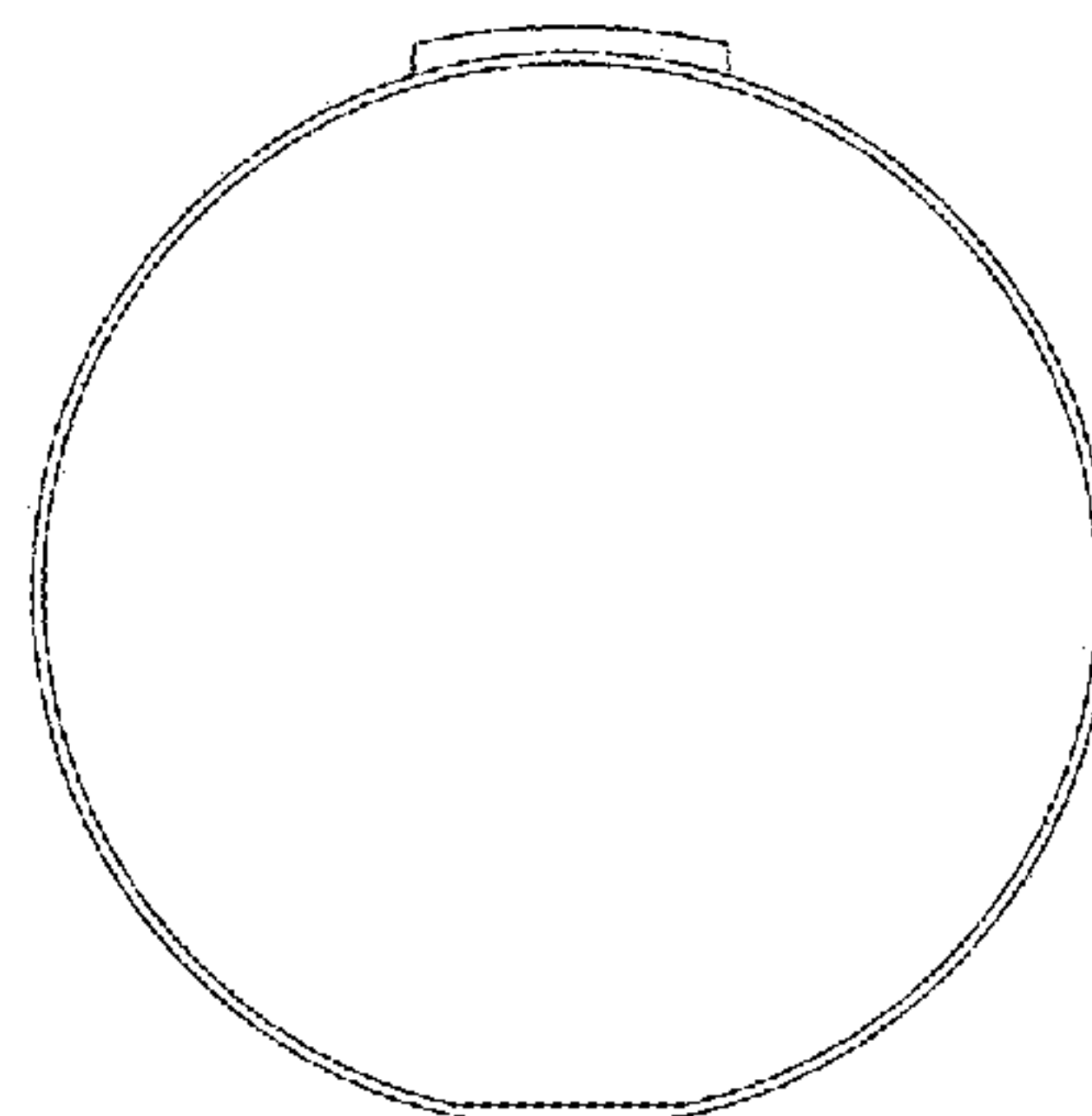
*Fig. 4*



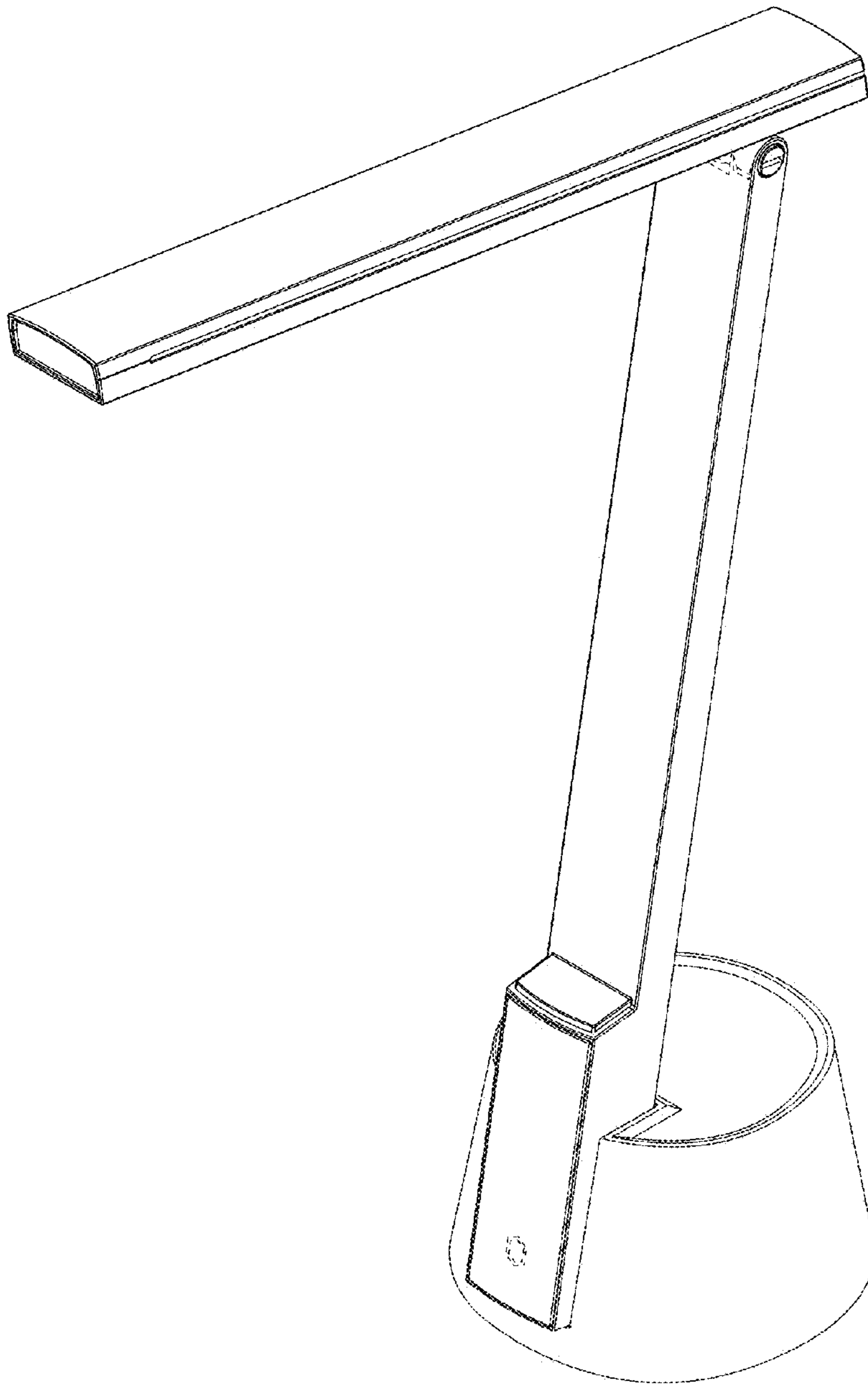
*Fig. 5*



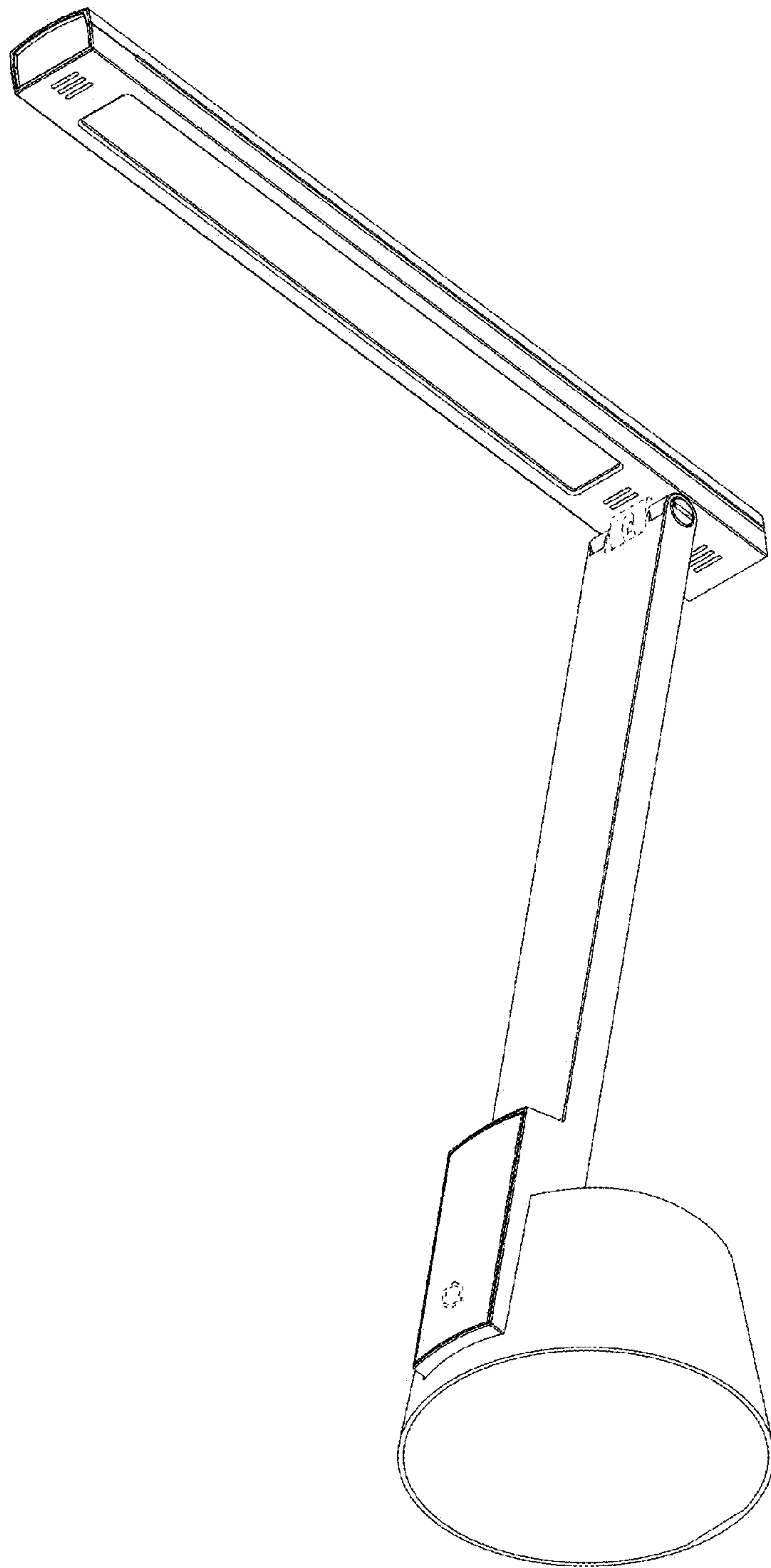
*Fig. 6*



*Fig. 7*

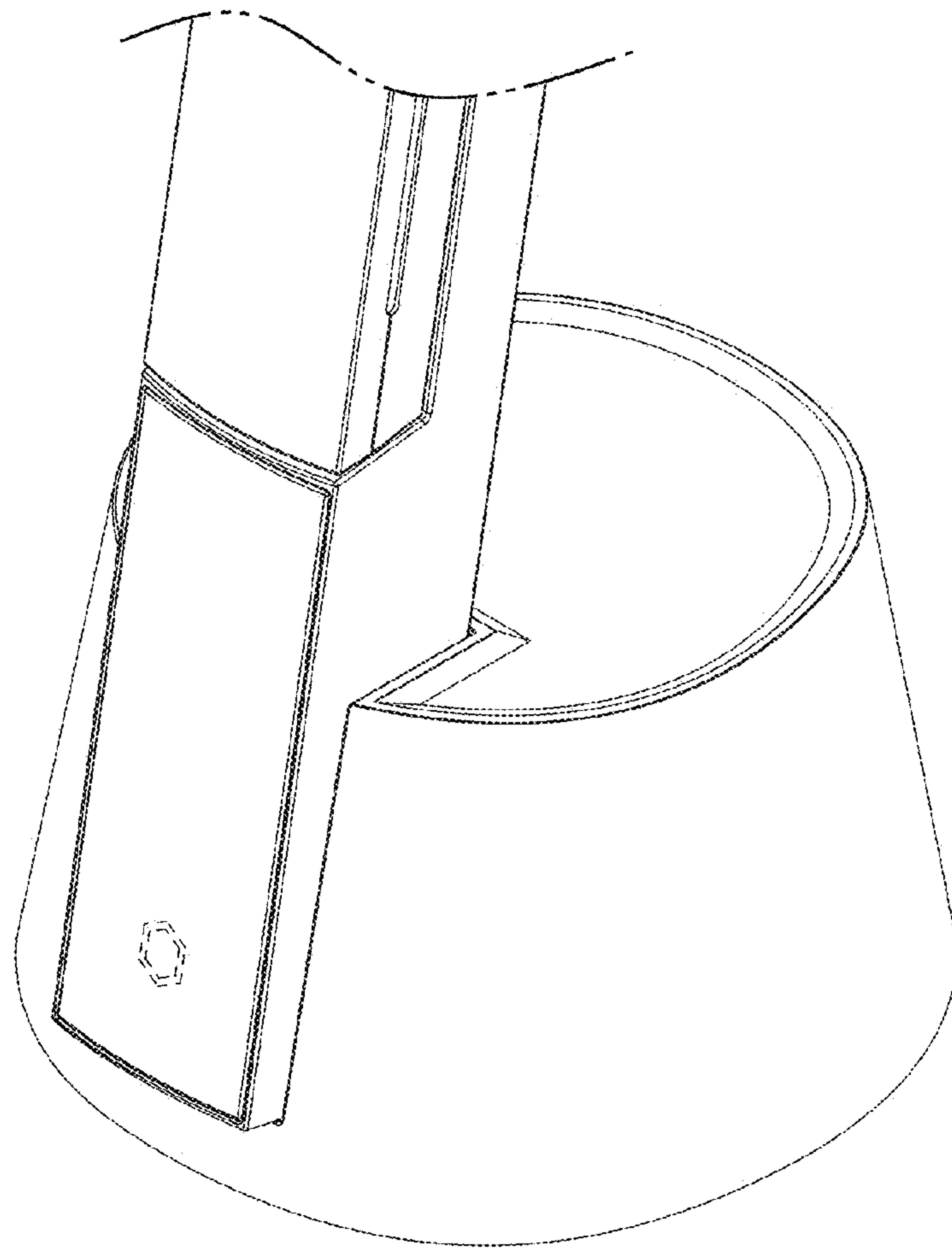


*Fig. 8*



*Fig. 9*





*Fig. 10*