



US00D765899S

(12) **United States Design Patent**
Hine et al.

(10) **Patent No.:** **US D765,899 S**

(45) **Date of Patent:** **** Sep. 6, 2016**

(54) **HANDS-FREE LIGHT**

(71) Applicant: **Energizer Brands, LLC**, Saint Louis, MO (US)

(72) Inventors: **David J. Hine**, Skaneateles, NY (US);
Donwoong Kang, Camillus, NY (US)

(73) Assignee: **Energizer Brands, LLC**, Saint Louis, MO (US)

(**) Term: **15 Years**

(21) Appl. No.: **29/533,313**

(22) Filed: **Jul. 16, 2015**

(51) **LOC (10) Cl.** **26-02**

(52) **U.S. Cl.**
USPC **D26/49**

(58) **Field of Classification Search**
USPC D26/46, 49, 37, 38, 51, 39; 362/158,
362/183, 184, 194-196, 200-208

CPC F21L 2003/00; F21L 4/00; F21L 4/005;
F21L 4/02; F21L 4/025; F21L 4/027; F21L
4/04; F21L 4/08; F21L 2005/00; F21L 7/00;
F21L 11/00; F21L 13/00; F21L 13/04;
F21L 13/08; F21L 14/02; F21L 17/00

See application file for complete search history.

(56) **References Cited**

U.S. PATENT DOCUMENTS

D300,260 S *	3/1989	Segeren	D26/39
D477,432 S *	7/2003	Parsons	D26/37
D501,266 S *	1/2005	Harris, Jr.	D26/37
D507,368 S *	7/2005	Waters	D26/37
D518,584 S *	4/2006	Chan	D26/37
D537,182 S *	2/2007	Chou	D26/37
D560,296 S *	1/2008	Lee	D26/37
D580,078 S *	11/2008	Lee	D26/37
D582,085 S *	12/2008	Feinbloom	D26/39
D592,339 S *	5/2009	Crawford	D26/37

D597,690 S *	8/2009	Yamamoto	D26/37
D606,688 S *	12/2009	Ma	D26/46
D619,283 S *	7/2010	Galli	D26/46
D631,586 S *	1/2011	Li	D26/37
D656,650 S *	3/2012	Yeh	D26/46
D657,484 S *	4/2012	Wu	D26/46
D675,764 S *	2/2013	Boutet	D26/49
D676,993 S *	2/2013	Kotsis	D26/46
D693,041 S *	11/2013	van der Lande	D26/46
D715,473 S *	10/2014	Killion	D26/46
D729,425 S *	5/2015	Wright	D26/37
D745,730 S *	12/2015	Kunzendorf	D26/39

OTHER PUBLICATIONS

Fenixlight Limited; LD50 Max 1800 Lumens; <http://www.fenixlight.com/ProductMore.aspx?id=141&tid=10&cid=1#>.
VaayanbD-70; 2013; retrieved Jul. 15, 2015.

* cited by examiner

Primary Examiner — Lakiya Rogers

Assistant Examiner — Carissa C Fitts

(74) *Attorney, Agent, or Firm* — McDonald Hopkins LLC

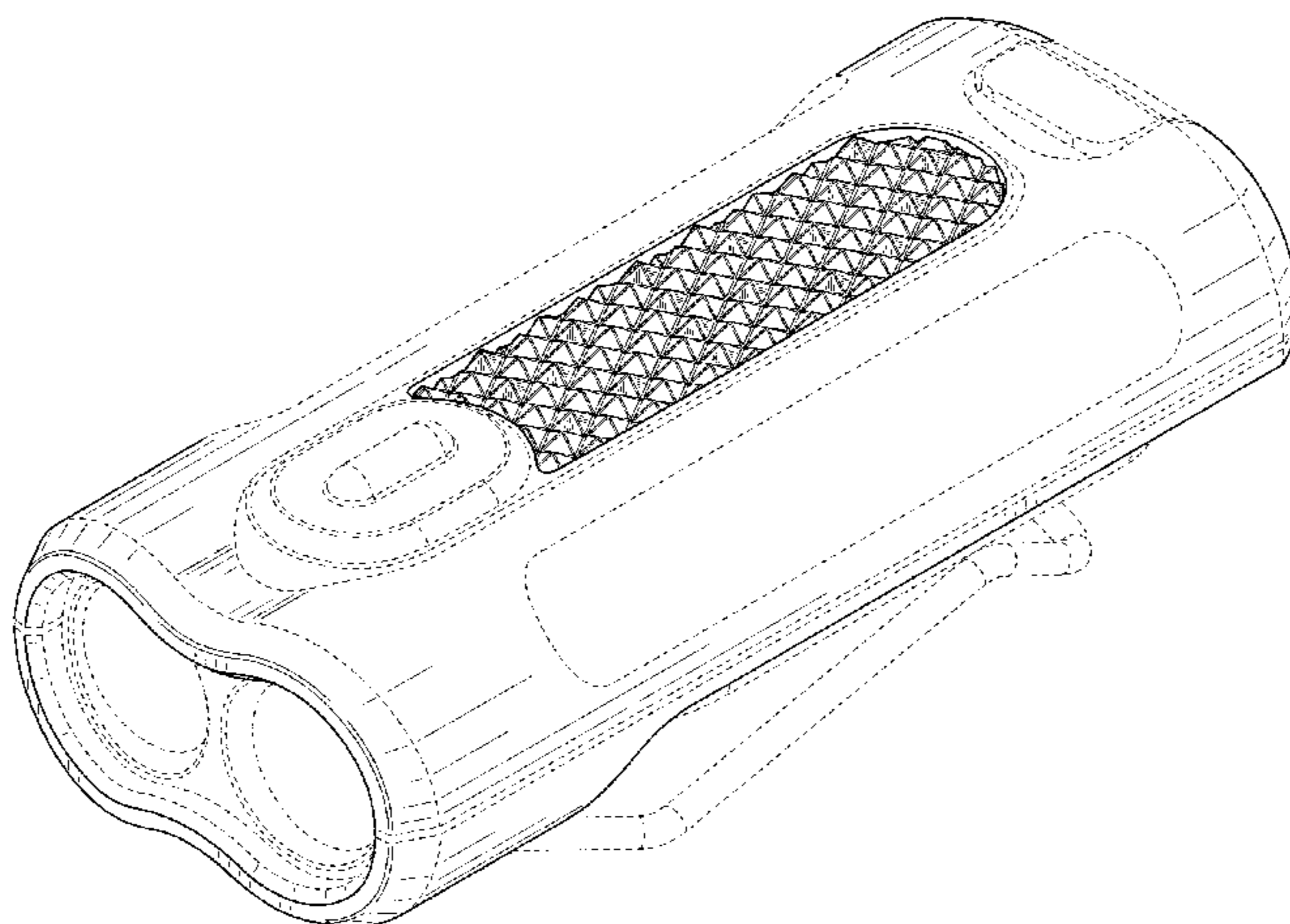
(57) **CLAIM**

The ornamental design for a hands-free light, as shown and described.

DESCRIPTION

FIG. 1 is a front perspective view of the design;
FIG. 2 is a front view of the design;
FIG. 3 is a rear view of the design;
FIG. 4 is a first side view of the design;
FIG. 5 is a second side view of the design;
FIG. 6 is a top view of the design;
FIG. 7 is a bottom view of the design; and,
FIG. 8 is a bottom perspective view of the design.
The broken line showing represents unclaimed portions of the article and forms no part of the claimed design.

1 Claim, 6 Drawing Sheets



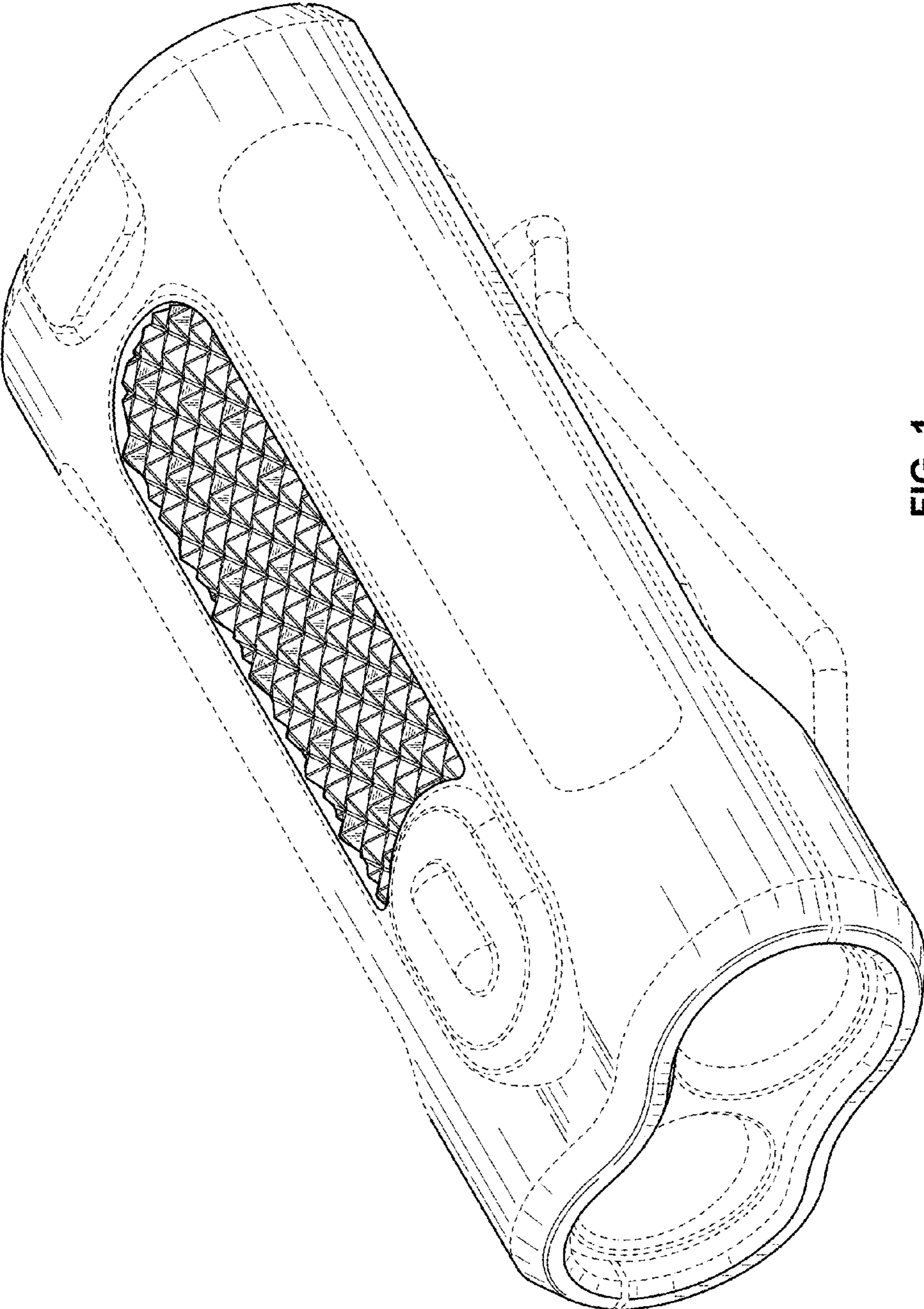


FIG. 1

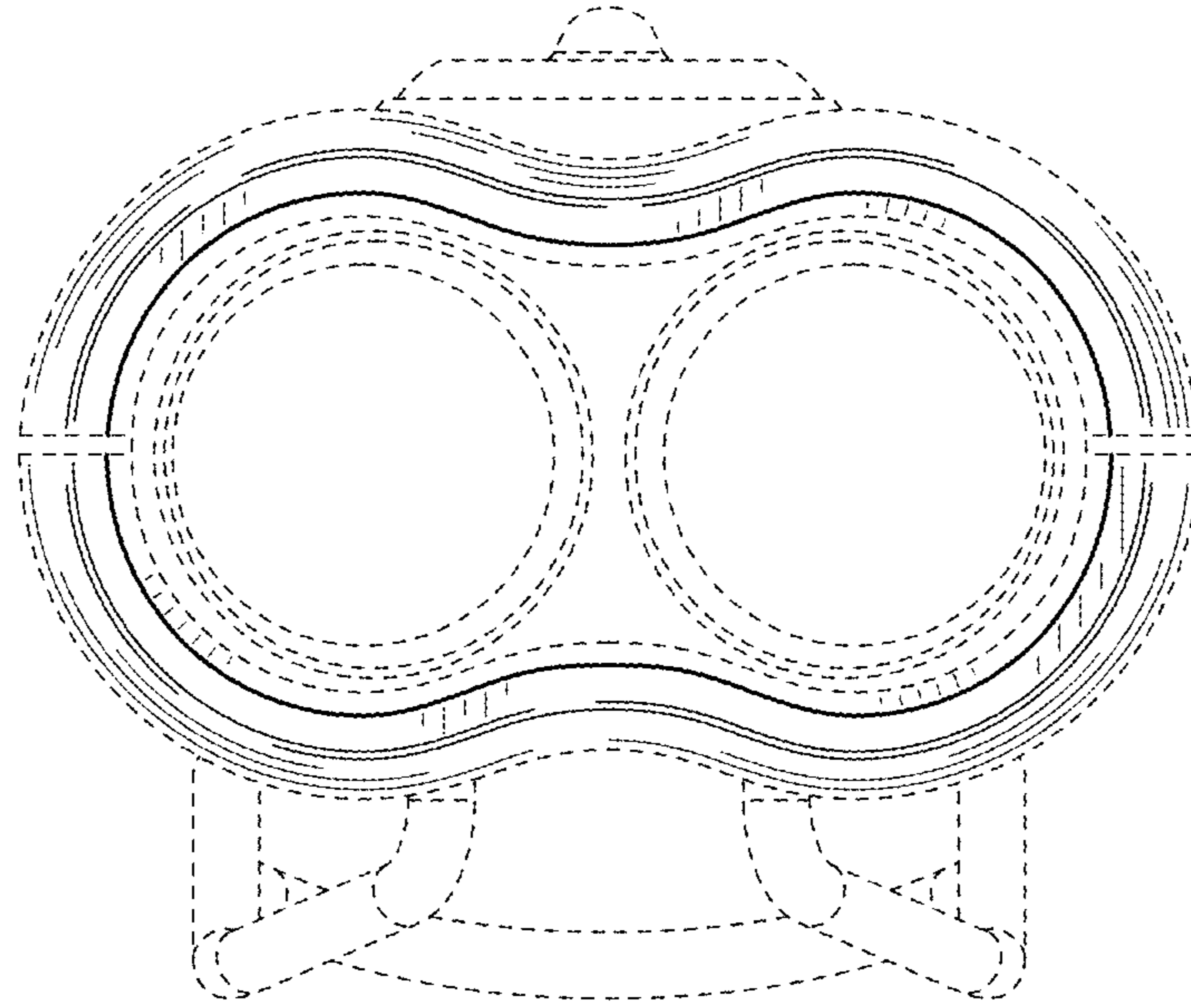


FIG. 2

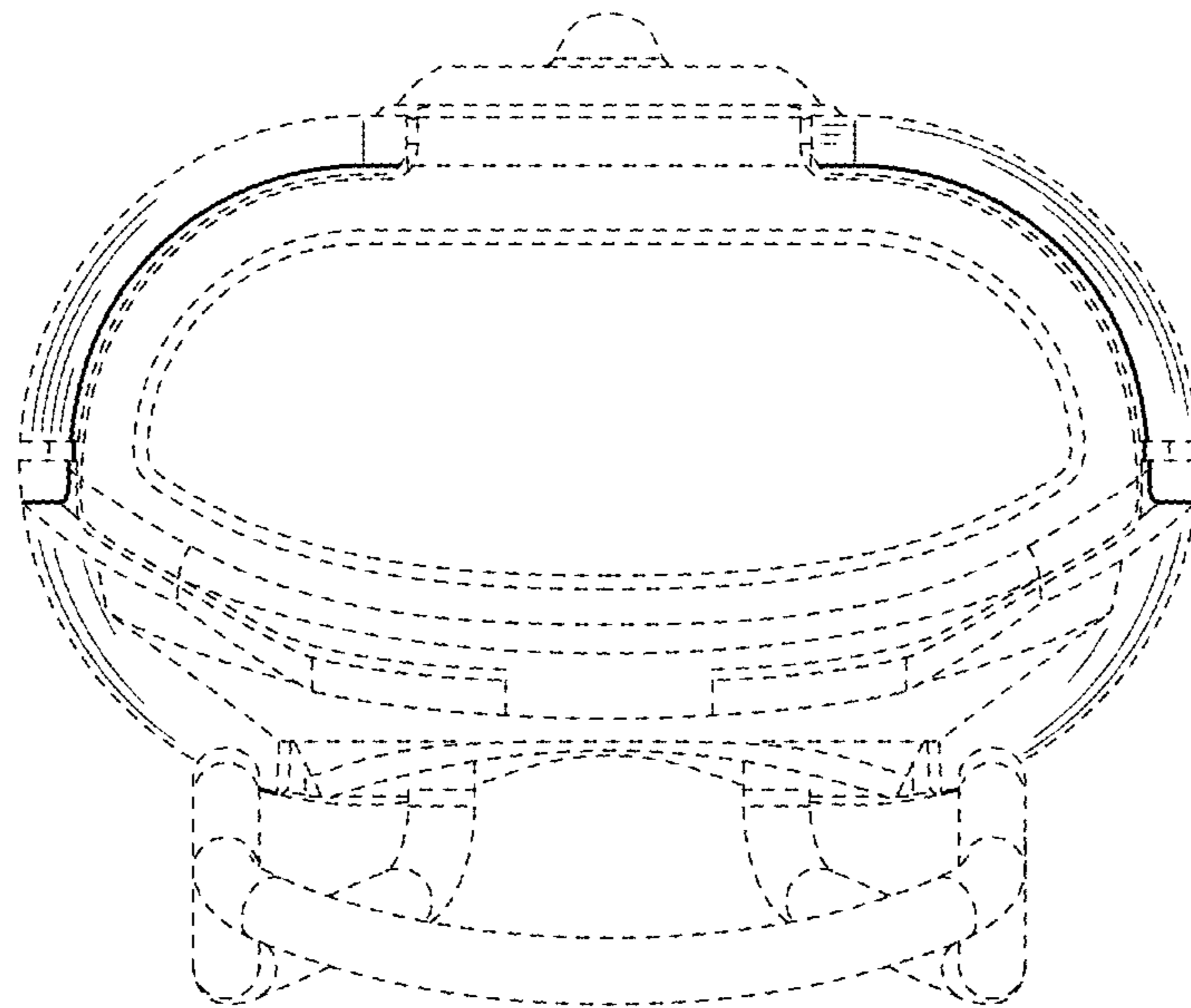


FIG. 3

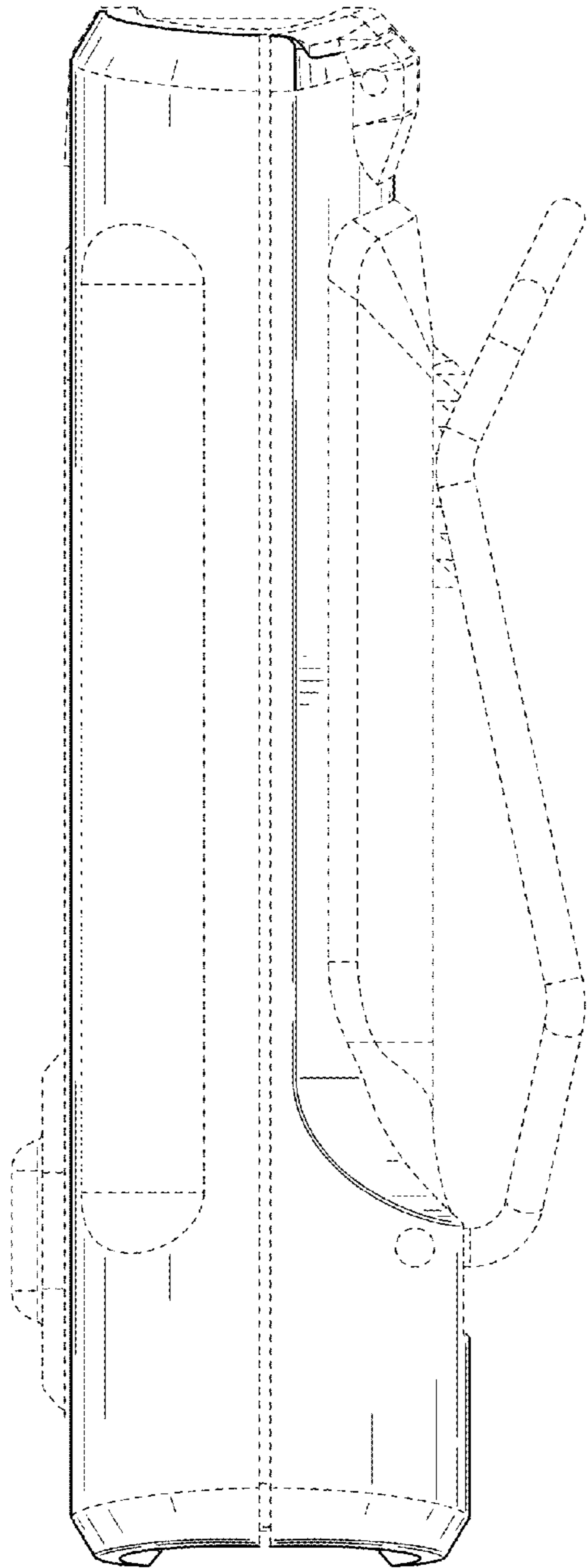


FIG. 4

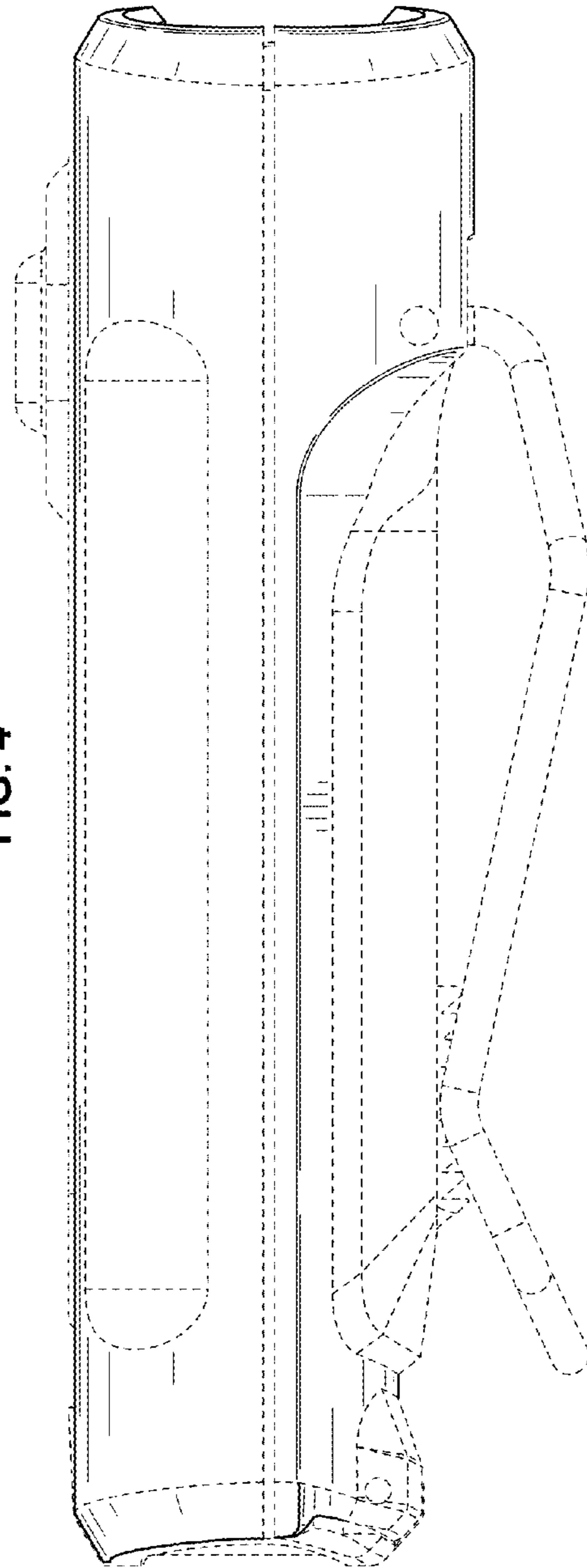


FIG. 5

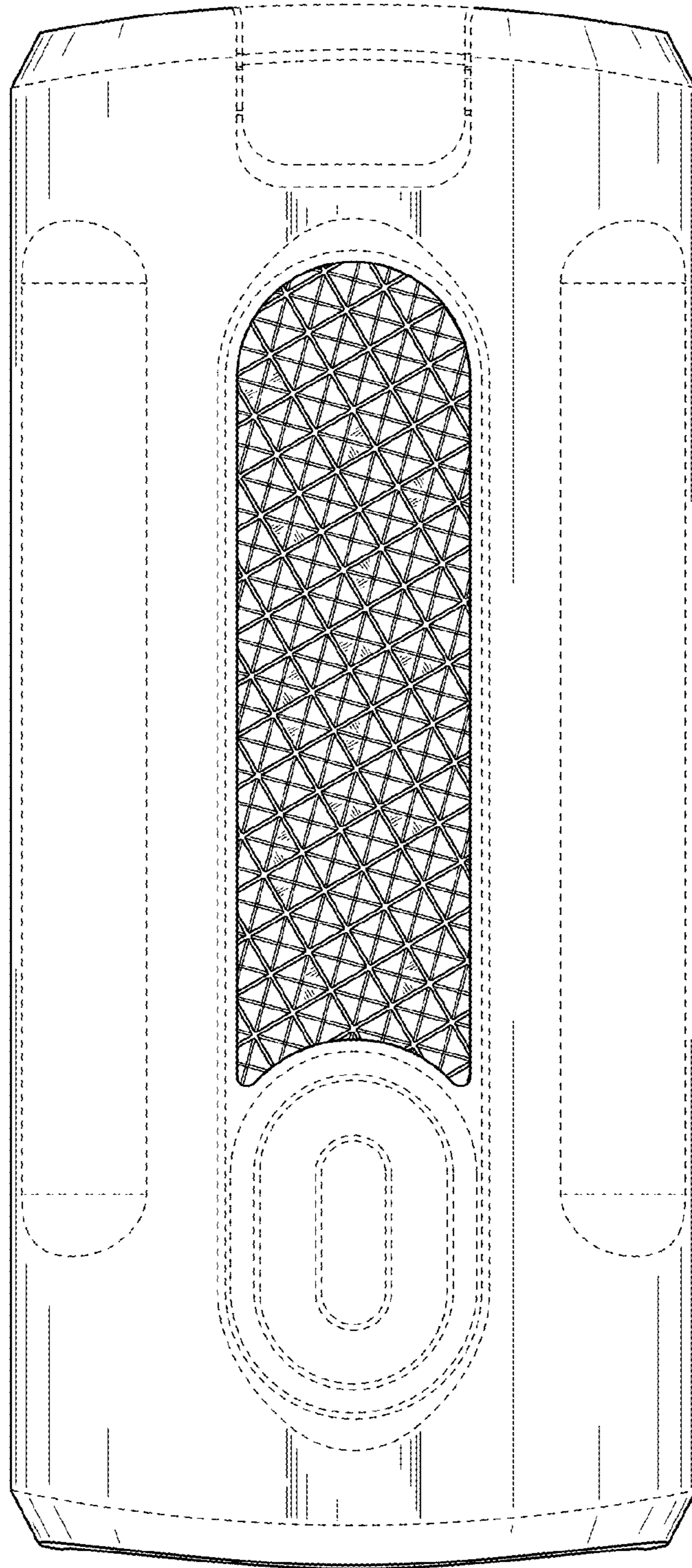


FIG. 6

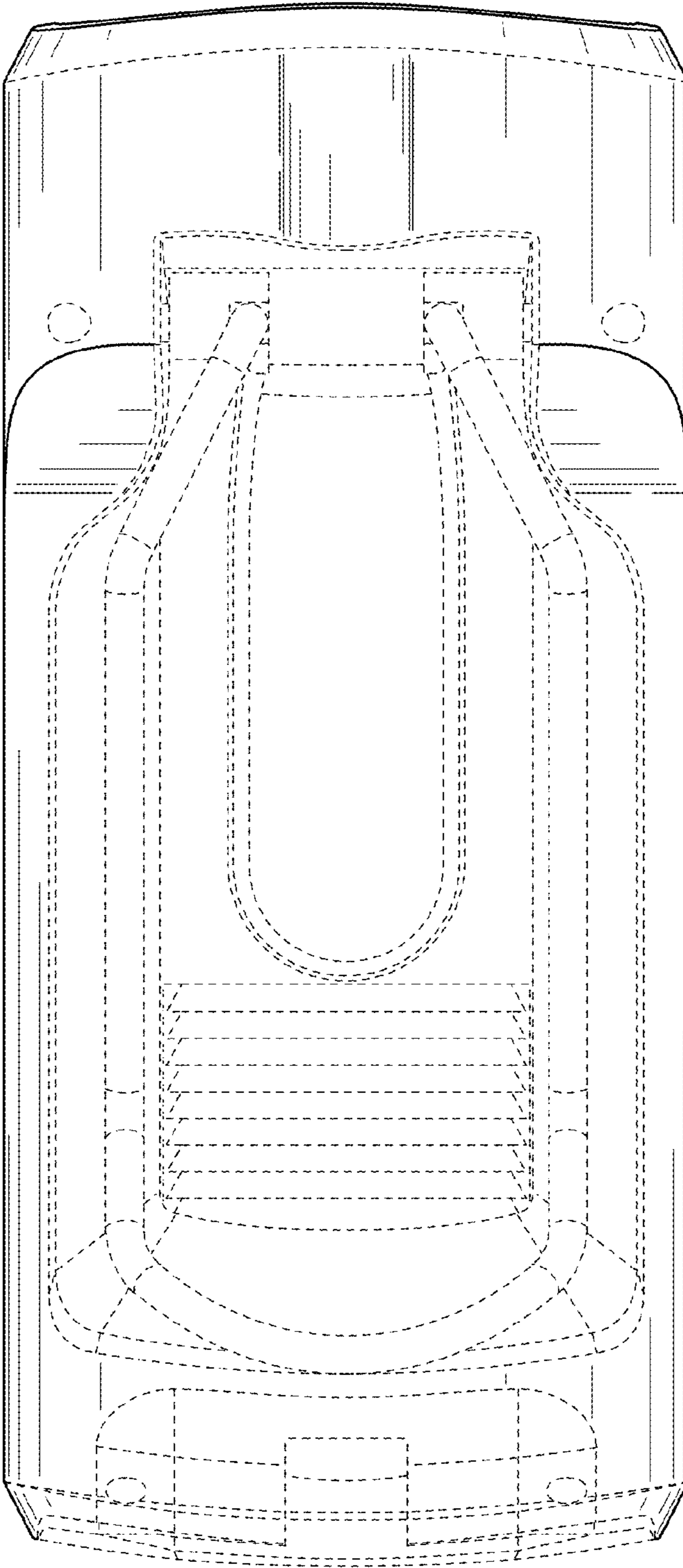


FIG. 7

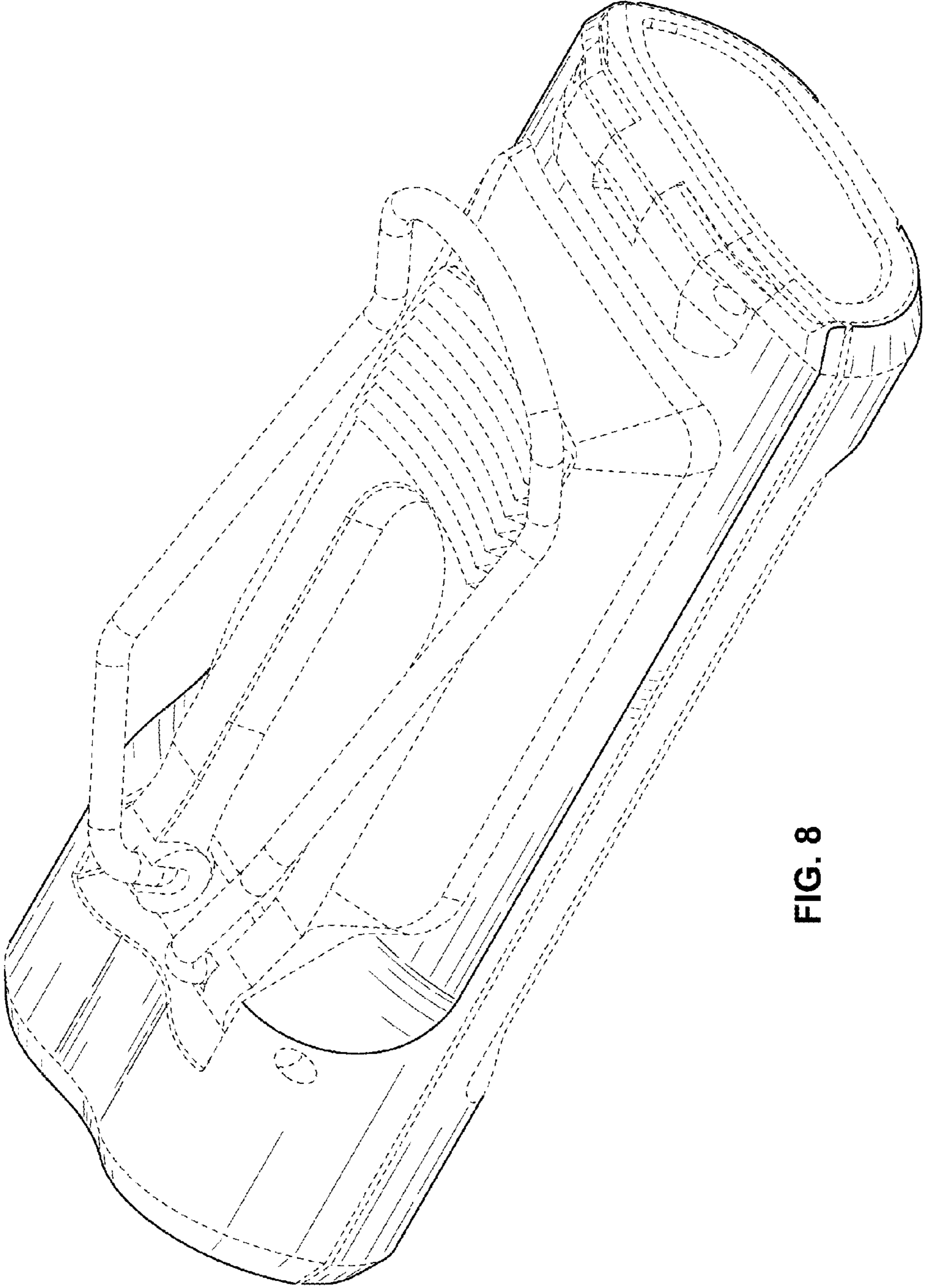


FIG. 8