



US00D765898S

(12) **United States Design Patent** (10) **Patent No.:** **US D765,898 S**
Caito et al. (45) **Date of Patent:** **** Sep. 6, 2016**

(54) **FLASHLIGHT**
(71) Applicant: **ALLTRADE TOOLS LLC**, Long Beach, CA (US)
(72) Inventors: **Vincent W. Caito**, Pomona, CA (US); **Zheng Zi Liu**, Shanghai (CN)
(73) Assignee: **Alltrade Tools LLC**, Long Beach, CA (US)
(**) Term: **14 Years**
(21) Appl. No.: **29/450,273**
(22) Filed: **Mar. 15, 2013**
(51) **LOC (10) Cl.** **26-02**
(52) **U.S. Cl.**
USPC **D26/49**; D26/42
(58) **Field of Classification Search**
USPC D26/37, 46, 49, 38; 362/157, 158, 183, 362/184, 194-196, 202-208
CPC F21V 33/00; F21V 14/025; F21V 21/406; F21Y 2101/02; F21L 2003/00; F21L 2005/00; F21L 2/00; F21L 4/00; F21L 4/005; F21L 17/00; F21L 13/08
See application file for complete search history.

D637,748 S * 5/2011 Caniparoli D26/49
D637,749 S * 5/2011 Bayat et al. D26/49
D643,561 S * 8/2011 Maglica D26/49
8,414,142 B2 * 4/2013 Tucker et al. 362/184
D691,310 S * 10/2013 Zhou et al. D26/37
D694,446 S * 11/2013 Zhou et al. D26/42
8,640,310 B2 * 2/2014 Caniparoli 24/3.12

FOREIGN PATENT DOCUMENTS

CN 301942641 S 5/2012
CN 301942642 S 5/2012
CN 301942677 S 5/2012

* cited by examiner

Primary Examiner — Ian Simmons

Assistant Examiner — Carissa C Fitts

(74) *Attorney, Agent, or Firm* — David J. Pitman; Fulwider Patton LLP

(57) **CLAIM**

The ornamental design for a flashlight, as shown and described.

DESCRIPTION

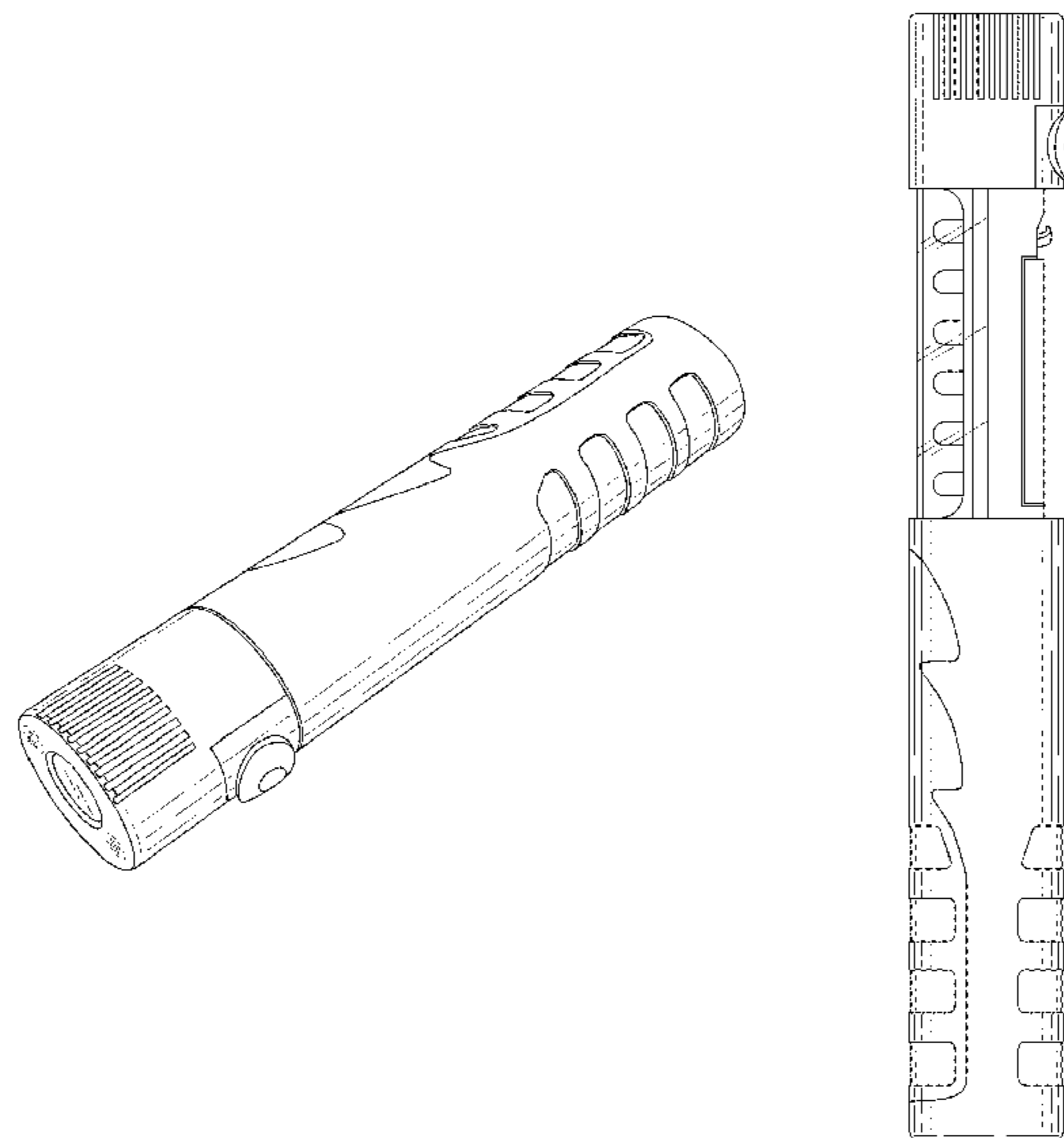
FIG. 1 is front elevational view showing my new design in a compact condition;
FIG. 2 is a back elevational view thereof;
FIG. 3 is a left side view thereof;
FIG. 4 is a right side view thereof;
FIG. 5 is a perspective view thereof;
FIG. 6 is a bottom view thereof;
FIG. 7 is a top view thereof;
FIG. 8 is a front elevational view showing my new design in an expanded condition;
FIG. 9 is a back elevational view thereof;
FIG. 10 is left side view thereof; and,
FIG. 11 is a right side view thereof.
The broken line showing represents unclaimed portions of the article and forms no part of the claimed design.

1 Claim, 5 Drawing Sheets

(56) **References Cited**

U.S. PATENT DOCUMENTS

D505,217 S * 5/2005 Bayat et al. D26/42
D505,506 S * 5/2005 Kolflat D26/37
D531,743 S * 11/2006 Opolka D26/37
D550,447 S * 9/2007 Opolka D3/209
D560,835 S * 1/2008 Hass D26/37
D563,007 S * 2/2008 Opolka D26/49
D593,239 S * 5/2009 Caniparoli D26/49
D597,690 S * 8/2009 Yamamoto D26/37
D607,591 S * 1/2010 Rivera et al. D26/49
D608,923 S * 1/2010 Yamamoto D26/49
D620,627 S * 7/2010 Kovacik et al. D26/42



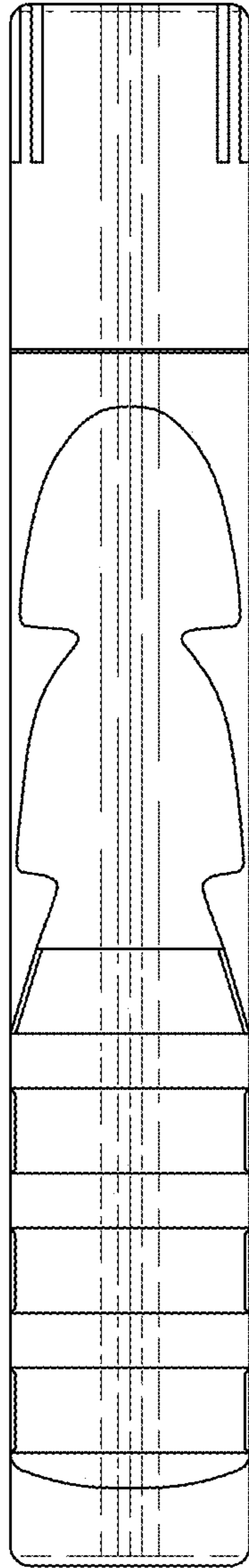


FIG. 1

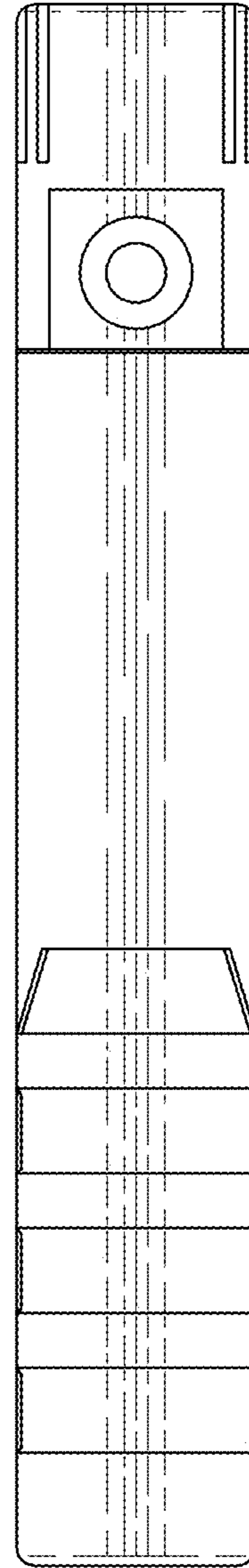


FIG. 2

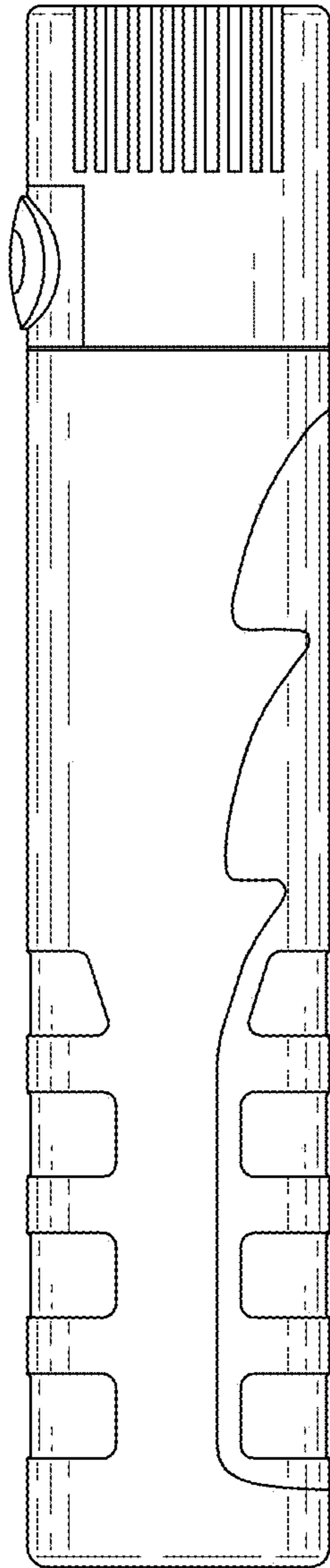


FIG. 3

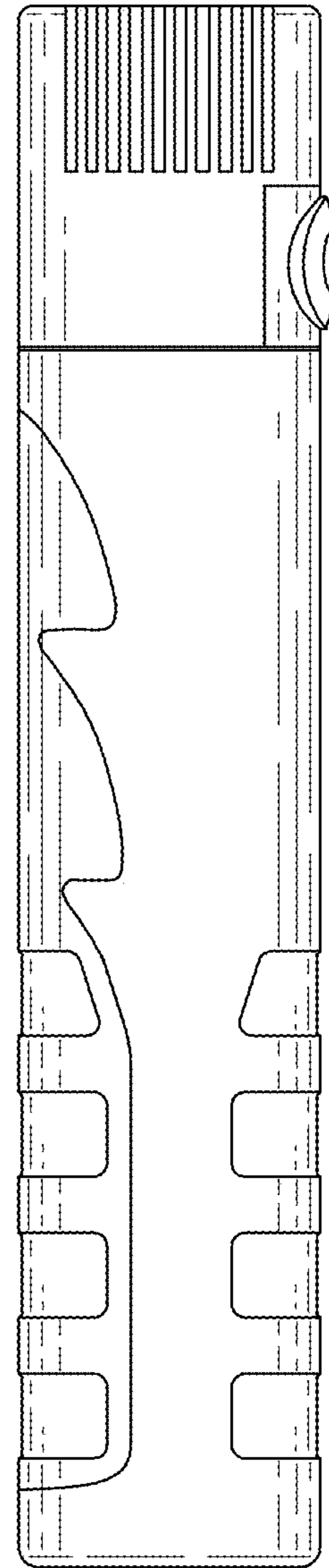


FIG. 4

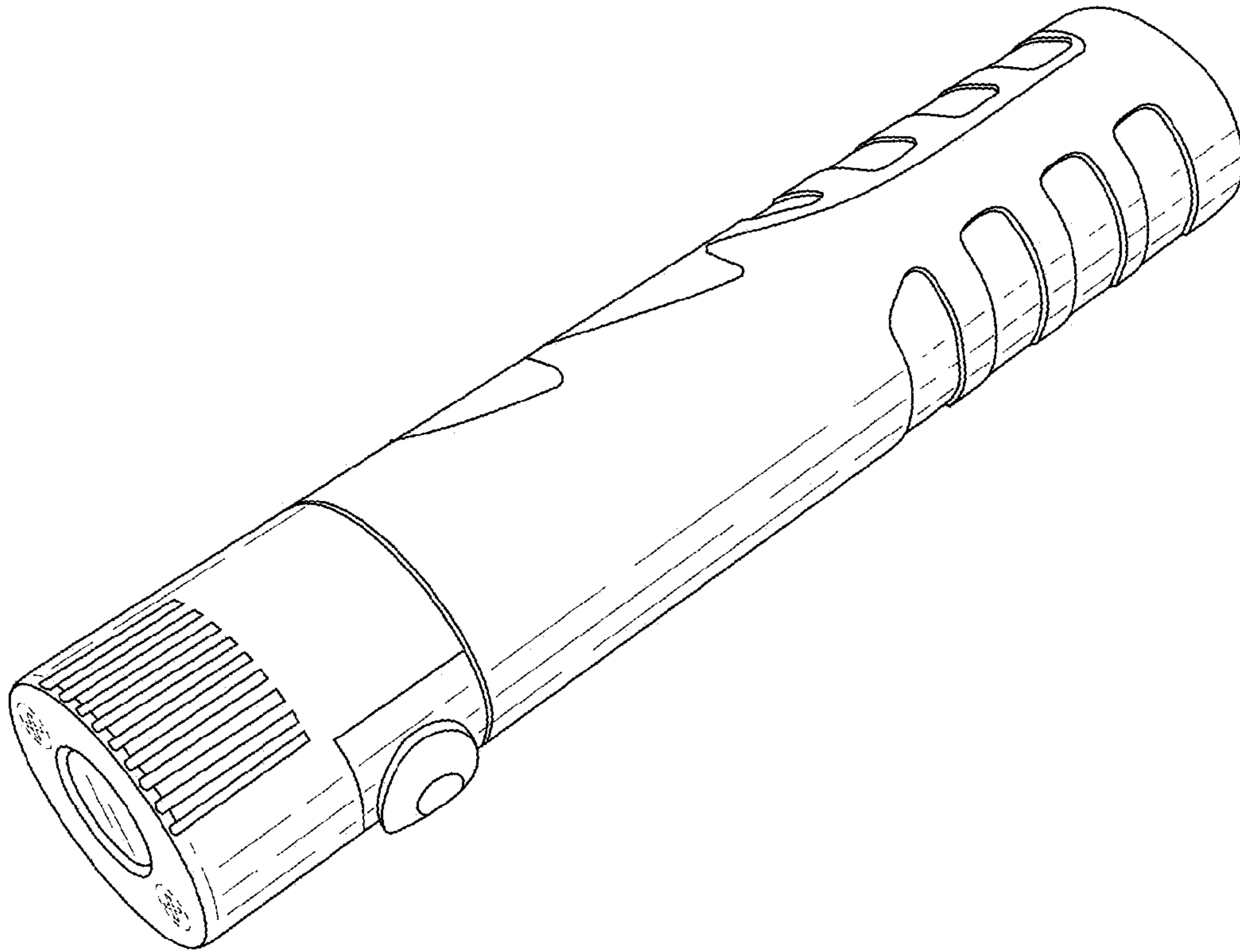


FIG. 5

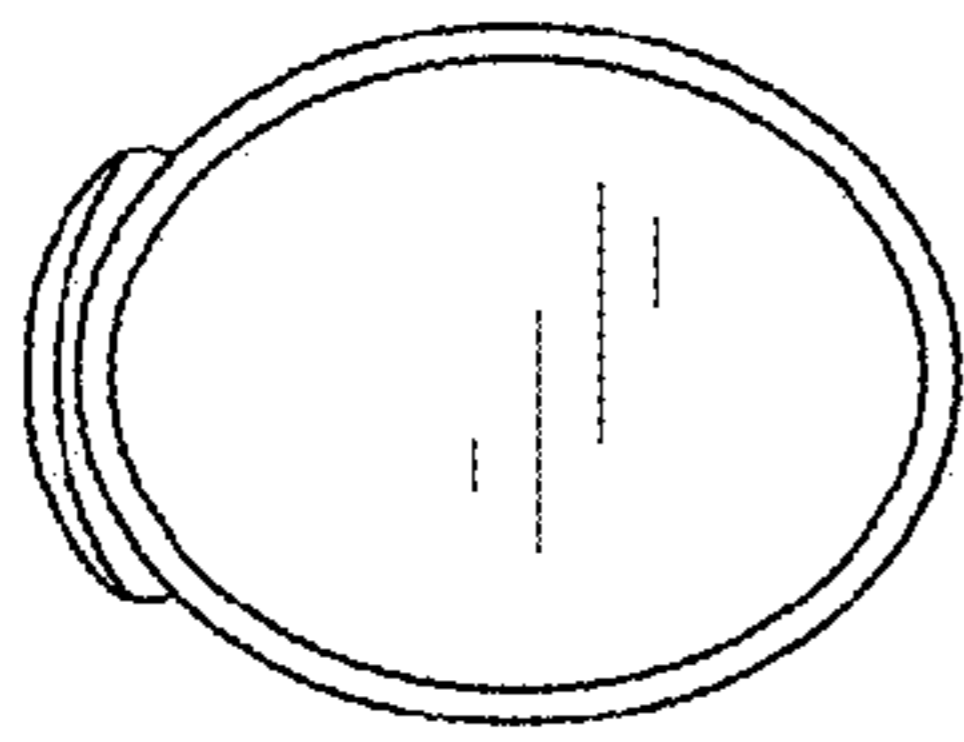


FIG. 6

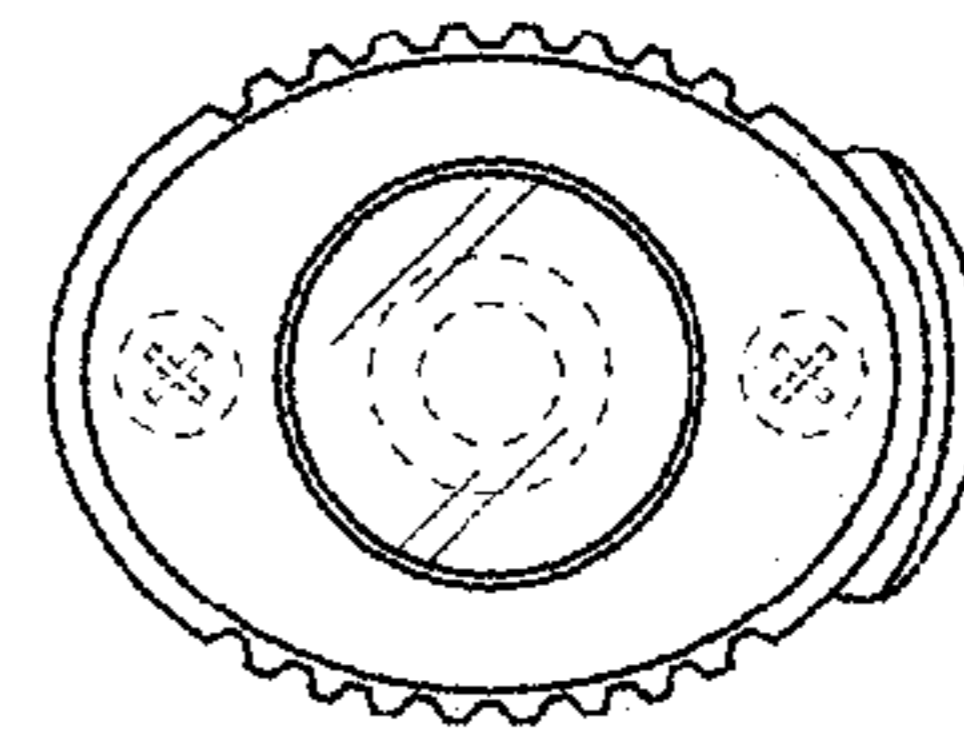


FIG. 7

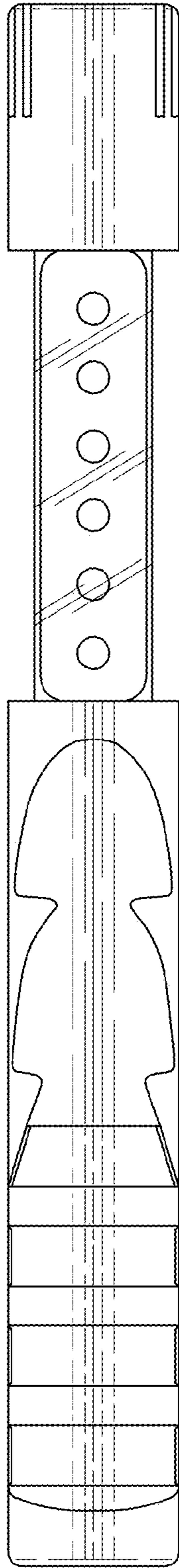


FIG. 8

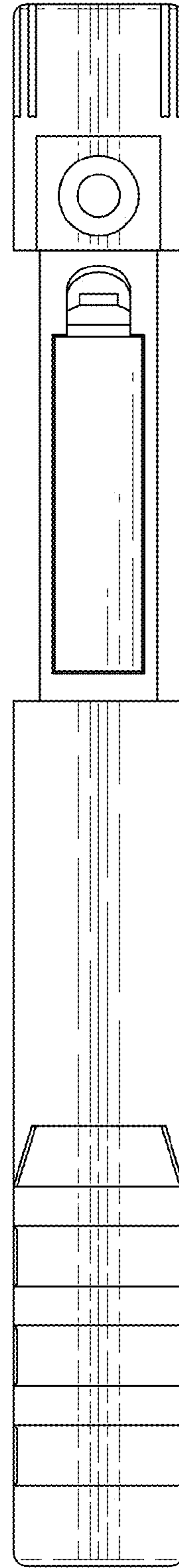


FIG. 9

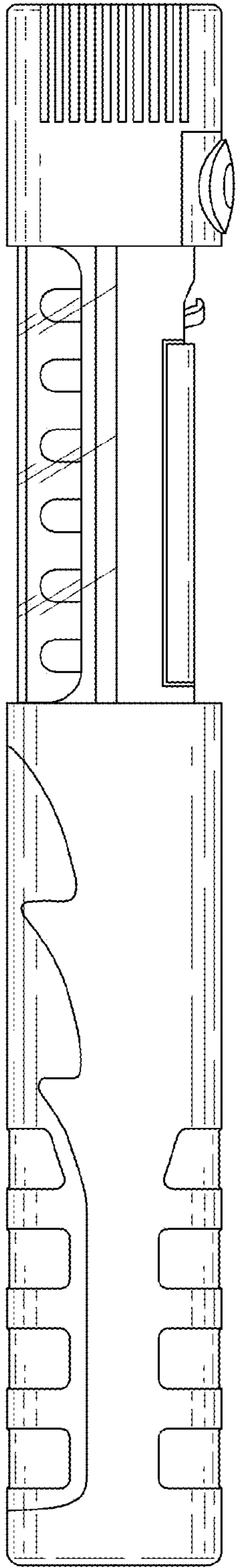


FIG. 10

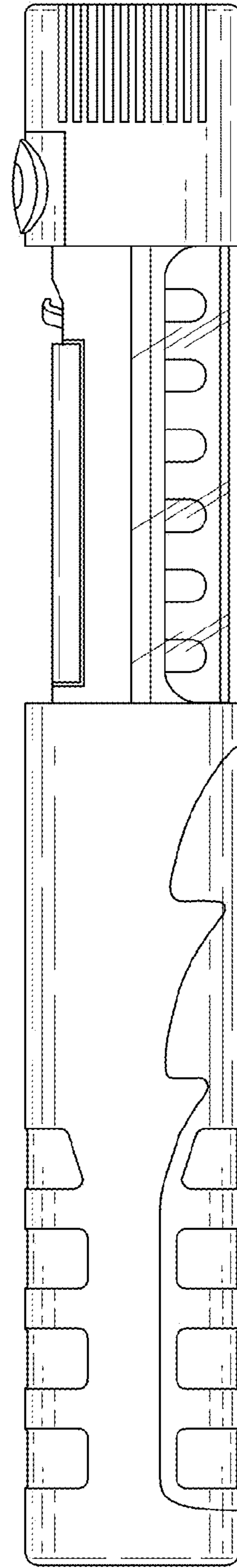


FIG. 11