

US00D765897S

(12) **United States Design Patent** (10) **Patent No.:** **US D765,897 S**  
**Dir** (45) **Date of Patent:** **\*\* Sep. 6, 2016**

- (54) **WEARABLE SAFETY LIGHT**
- (71) Applicant: **Archangel Device LLC**, Milwaukee, WI (US)
- (72) Inventor: **Ronald R. Dir**, Sturtevant, WI (US)
- (73) Assignee: **Archangel Design LLC**, Milwaukee, WI (US)
- (\*\*) Term: **14 Years**
- (21) Appl. No.: **29/492,937**
- (22) Filed: **Jun. 4, 2014**
- (51) **LOC (10) Cl.** ..... **26-02**
- (52) **U.S. Cl.**  
USPC ..... **D26/39**
- (58) **Field of Classification Search**  
USPC ..... D26/37, 38, 39, 46, 51; 362/103–108,  
362/157, 158, 184, 186, 194–196, 200–208,  
362/253  
CPC .... F21V 33/00; F21V 14/025; F21V 21/406;  
F21Y 2101/02; F21L 17/00; F21L 13/08;  
F21L 2001/00; F21L 14/02  
See application file for complete search history.

- 6,137,396 A 10/2000 Puppo
- 6,213,619 B1 \* 4/2001 Yu ..... A45F 5/02  
116/DIG. 44
- D445,930 S \* 7/2001 Se Kit ..... D26/39
- 6,461,015 B1 10/2002 Welch
- 6,486,797 B1 11/2002 Laidman
- D486,932 S 2/2004 Dario et al.
- D489,470 S \* 5/2004 Yuen ..... D26/39
- D511,984 S 11/2005 Kumagai
- D520,395 S 5/2006 Lazalier
- D578,691 S \* 10/2008 Lau ..... D26/39
- D605,320 S \* 12/2009 Moudry ..... D26/39
- D637,330 S \* 5/2011 Lee ..... D26/39
- D642,310 S \* 7/2011 Idelson ..... D26/39
- D690,855 S \* 10/2013 Araujo ..... D26/39
- 2003/0132852 A1 7/2003 Povey et al.
- 2007/0113845 A1 5/2007 O'Brien et al.

(Continued)

*Primary Examiner* — Ian Simmons  
*Assistant Examiner* — Carissa C Fitts  
(74) *Attorney, Agent, or Firm* — Husch Blackwell LLP

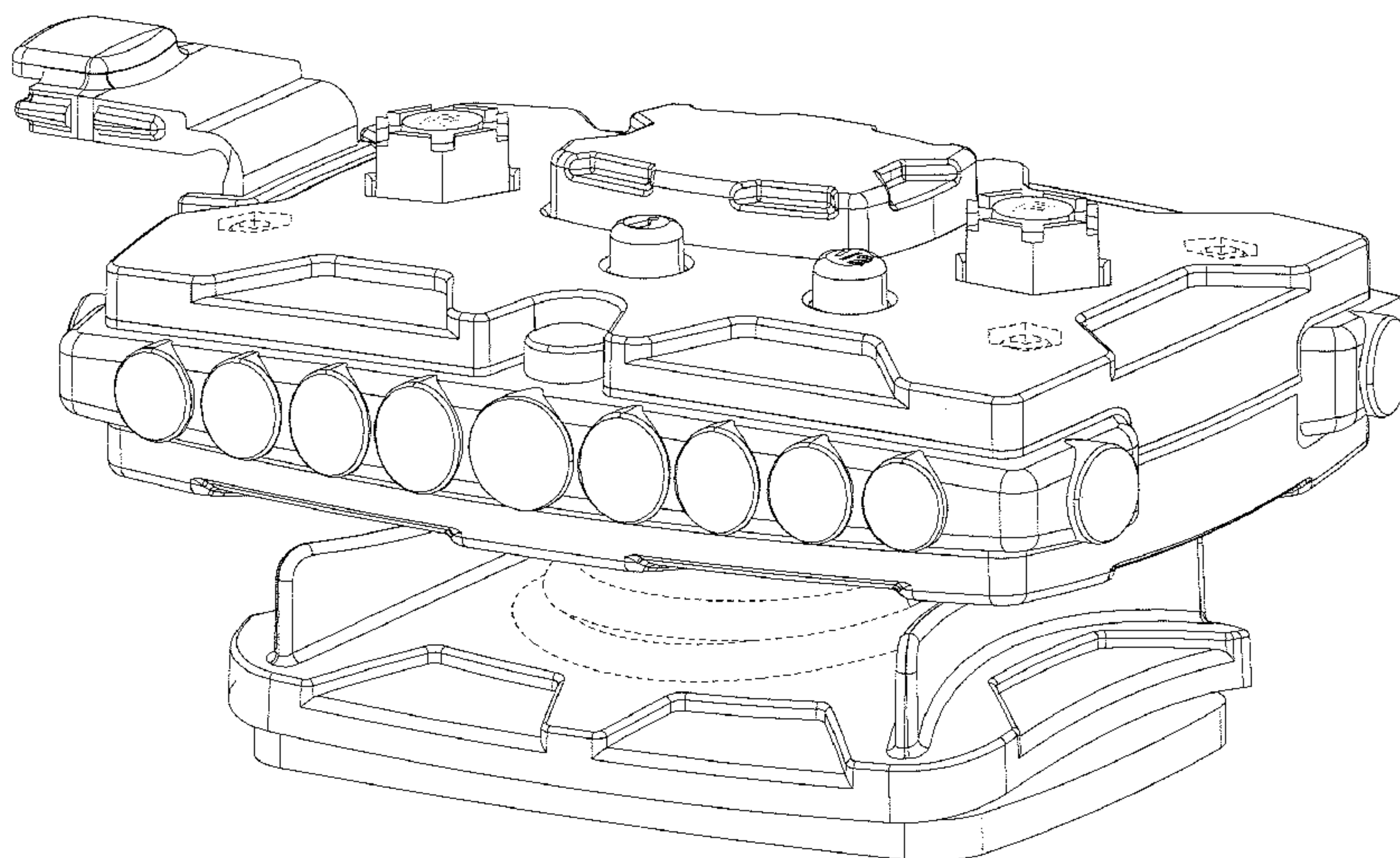
(57) **CLAIM**  
The ornamental design for wearable safety light, as shown and described.

**DESCRIPTION**

FIG. 1 is a left front perspective view of a wearable safety light according to the new design of the invention; FIG. 2 is a right rear perspective view thereof; FIG. 3 is a front exploded view thereof; FIG. 4 is a rear exploded view thereof; FIG. 5 is a left side exploded view thereof; FIG. 6 is a right side exploded view thereof; FIG. 7 is a top view thereof; FIG. 8 is a bottom view thereof; FIG. 9 is a bottom view thereof with mount removed; FIG. 10 is a top view of the mount removed; and, FIG. 11 is a front view thereof.  
The broken lines shown in all figures represent unclaimed portions of the wearable safety light and form no part of the claimed design.

**1 Claim, 11 Drawing Sheets**

- (56) **References Cited**  
U.S. PATENT DOCUMENTS
- 4,047,165 A 9/1977 Andreasson et al.
- 4,319,309 A 3/1982 Benoit
- 4,328,533 A 5/1982 Paredes
- 4,788,631 A \* 11/1988 Fuller ..... F21V 9/083  
362/103
- 4,837,559 A 6/1989 Green, Sr.
- 4,999,753 A 3/1991 MacKenzie
- D340,777 S 10/1993 Choi et al.
- 5,434,759 A 7/1995 Endo et al.
- 5,627,513 A 5/1997 Weed et al.
- 5,652,570 A 7/1997 Lepkofker
- 5,806,965 A 9/1998 Deese
- 5,905,441 A 5/1999 Klee et al.
- 5,963,126 A 10/1999 Karlin et al.



(56)

**References Cited**

U.S. PATENT DOCUMENTS

2007/0176784 A1 8/2007 Fautin et al.  
2007/0194048 A1 8/2007 Teig  
2007/0200716 A1 8/2007 Haase et al.

2008/0088477 A1 4/2008 Martin et al.  
2008/0130272 A1 6/2008 Waters  
2008/0247161 A1 10/2008 Hulseley et al.  
2008/0259601 A1 10/2008 Frank et al.  
2008/0319282 A1 12/2008 Tran

\* cited by examiner

Fig. 1

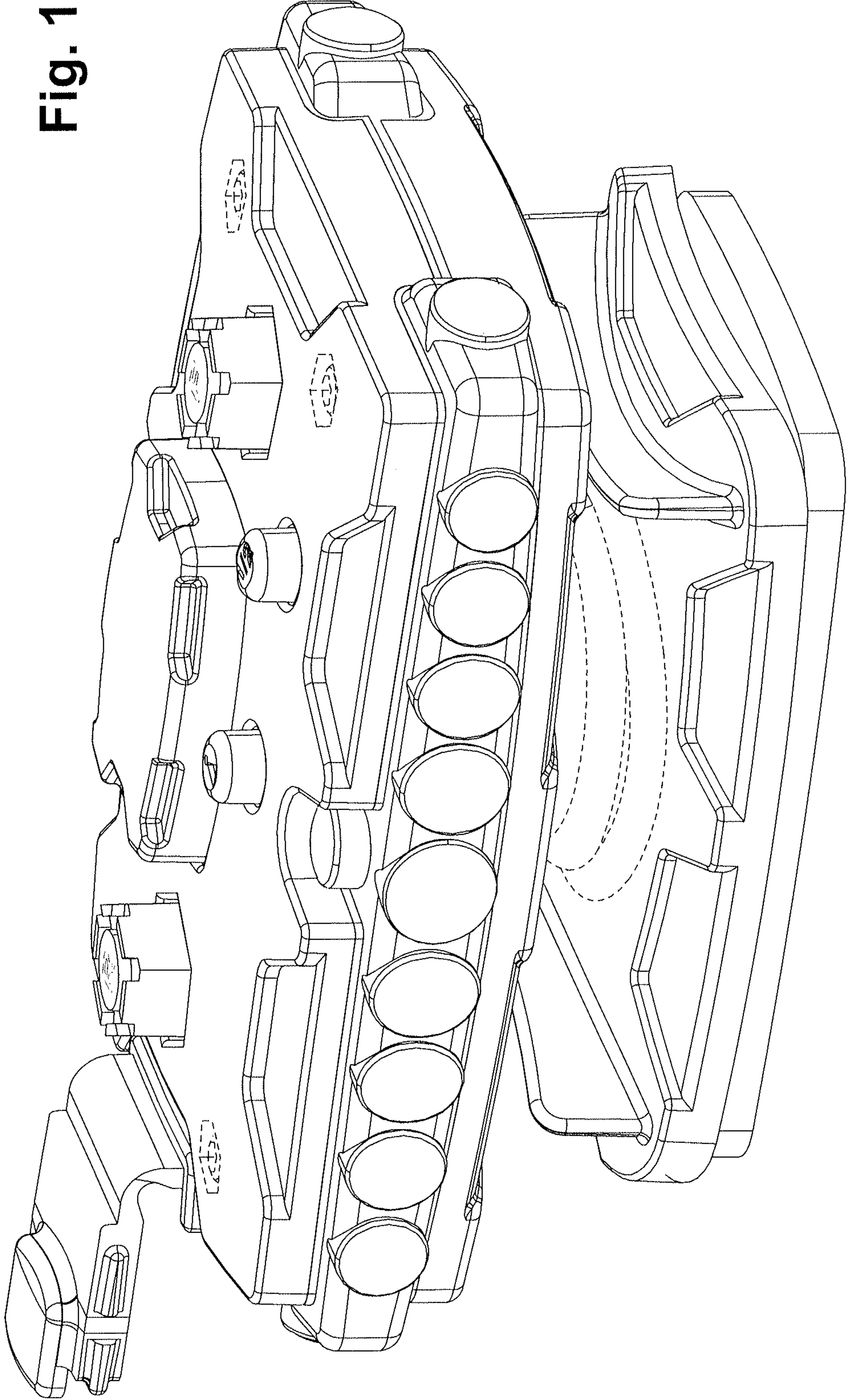




Fig. 2

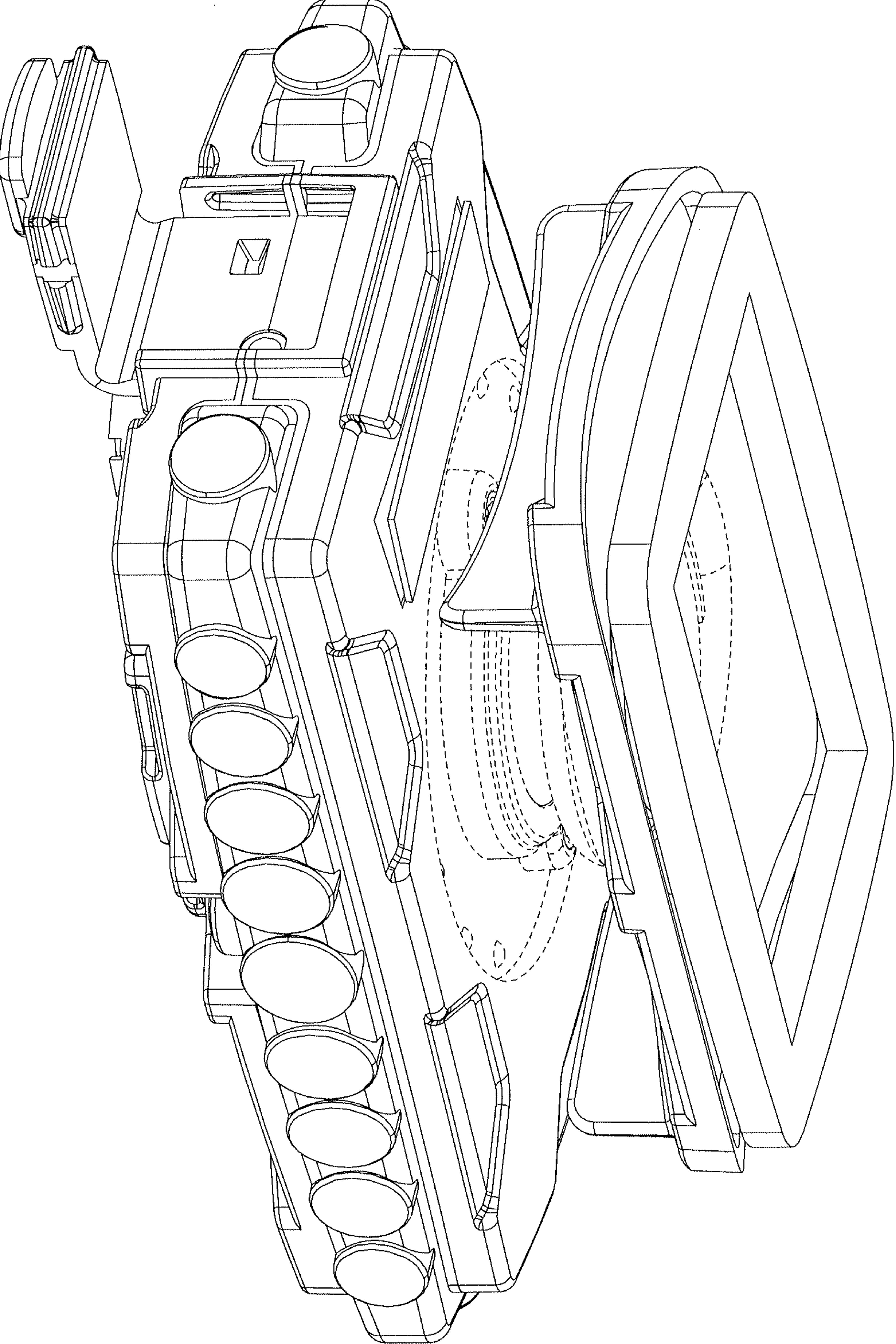


Fig. 3

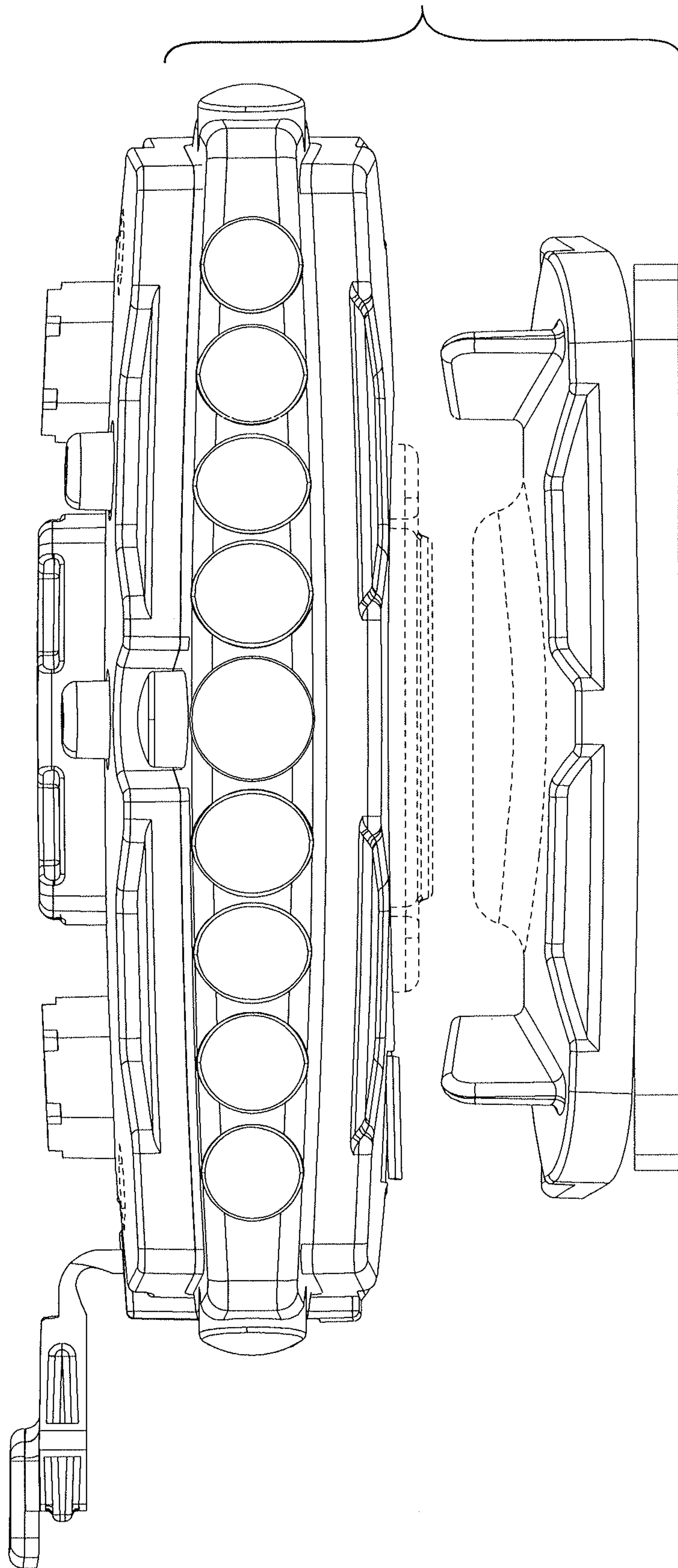


Fig. 4

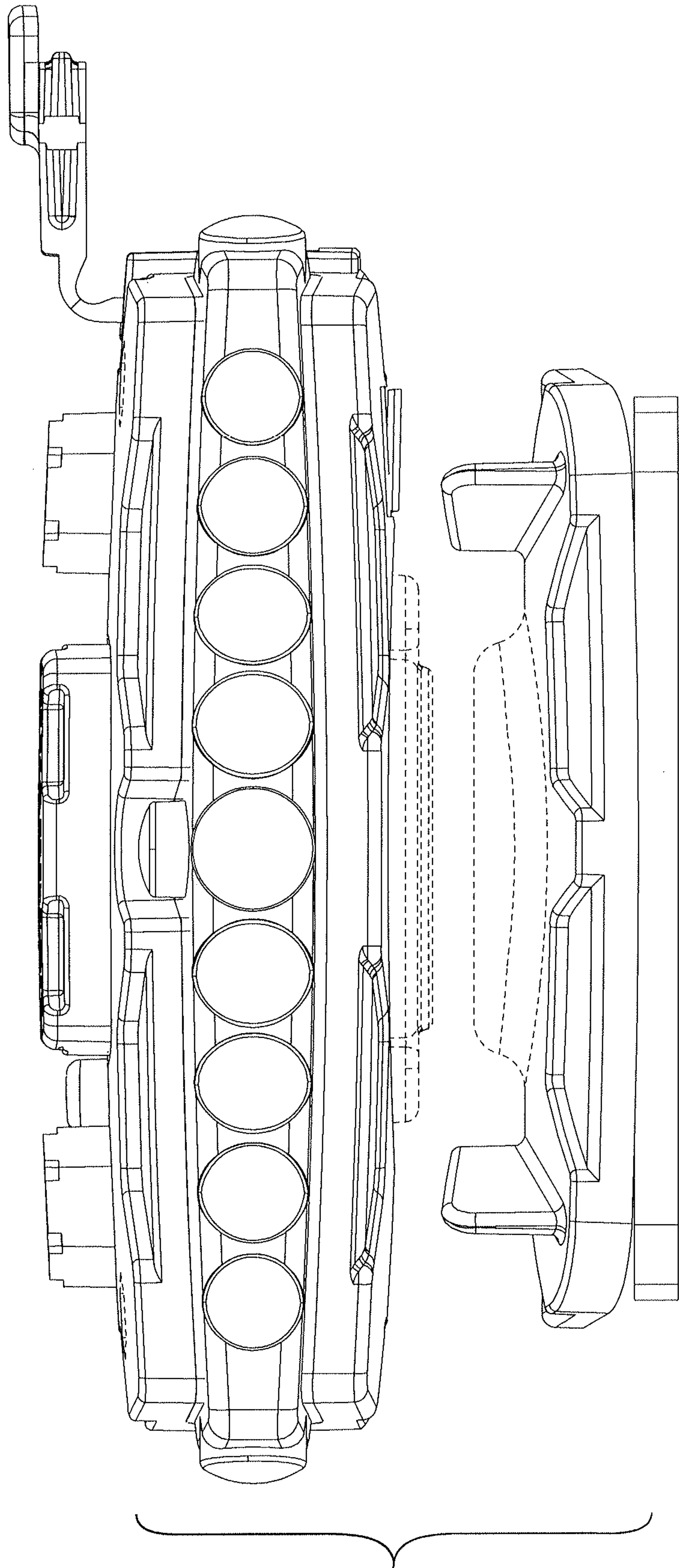


Fig. 5

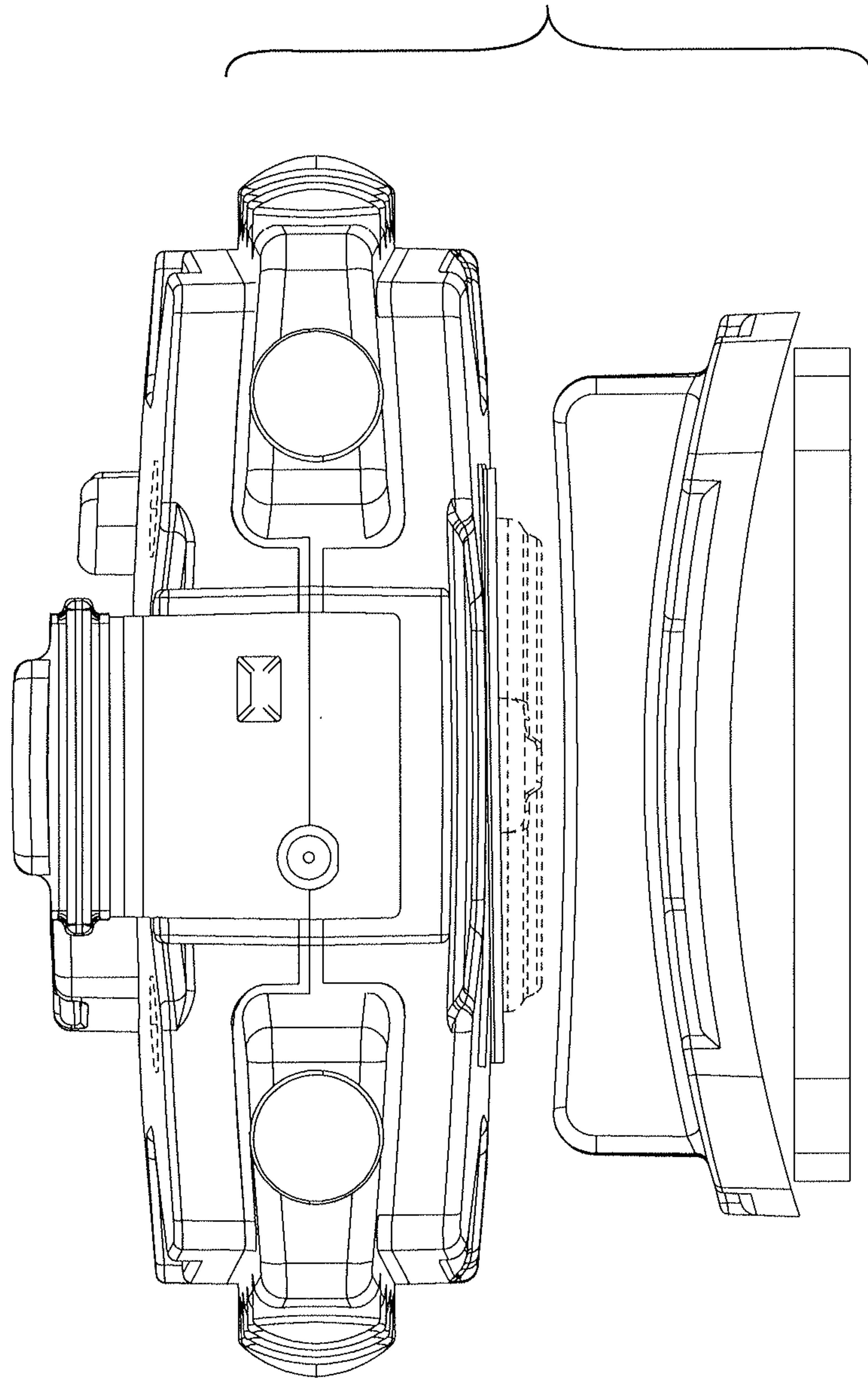




Fig. 6

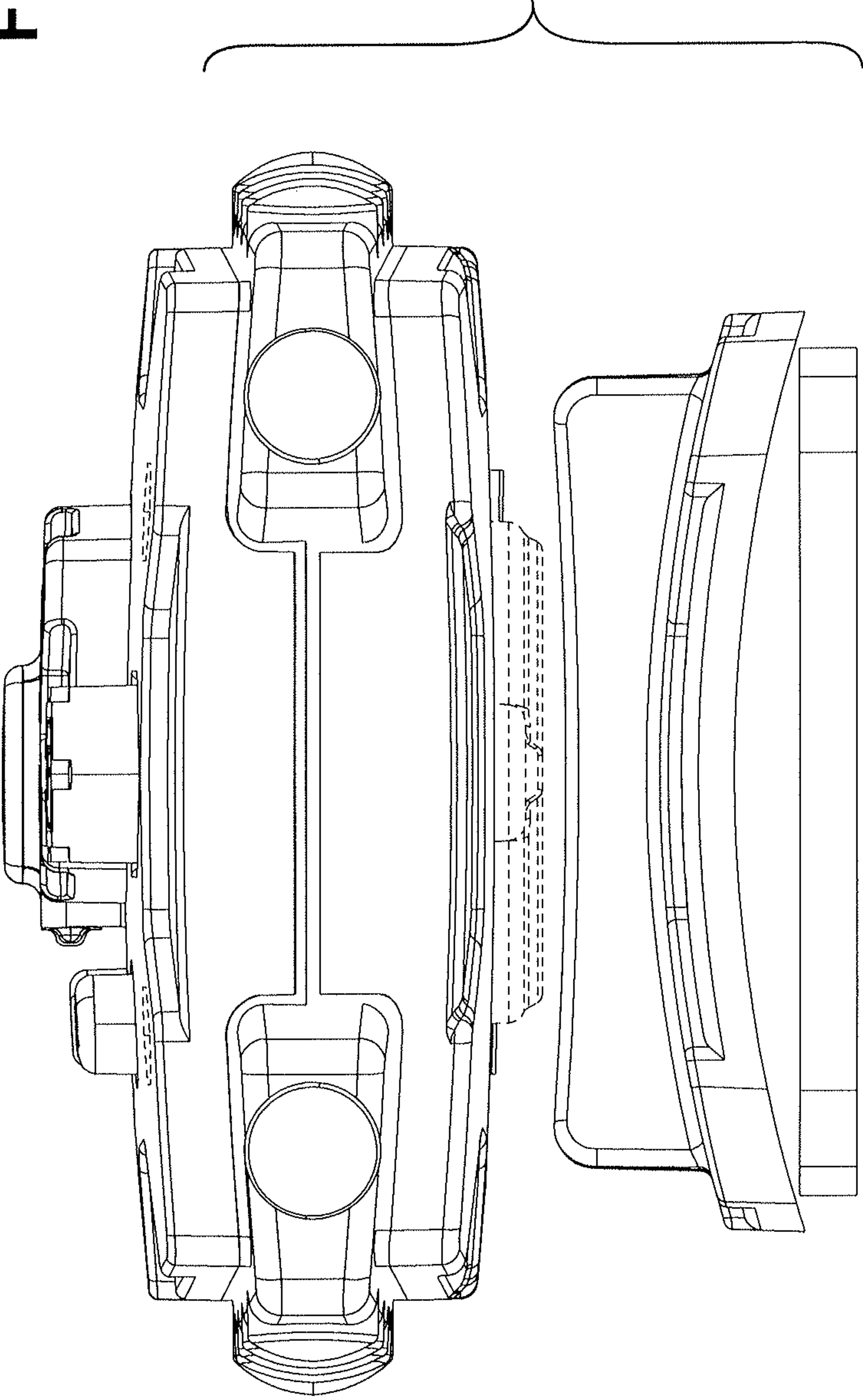




Fig. 7

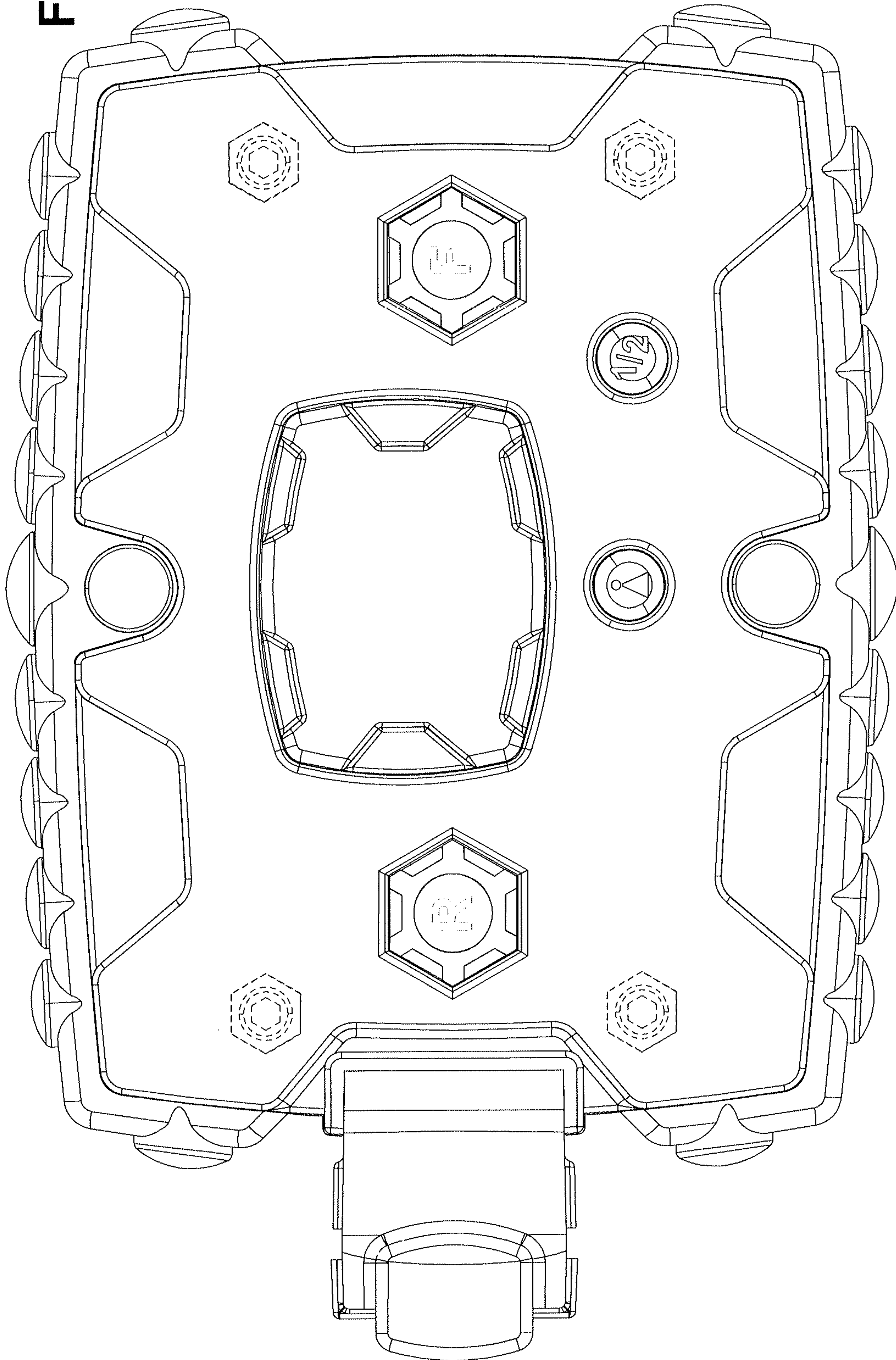


Fig. 8

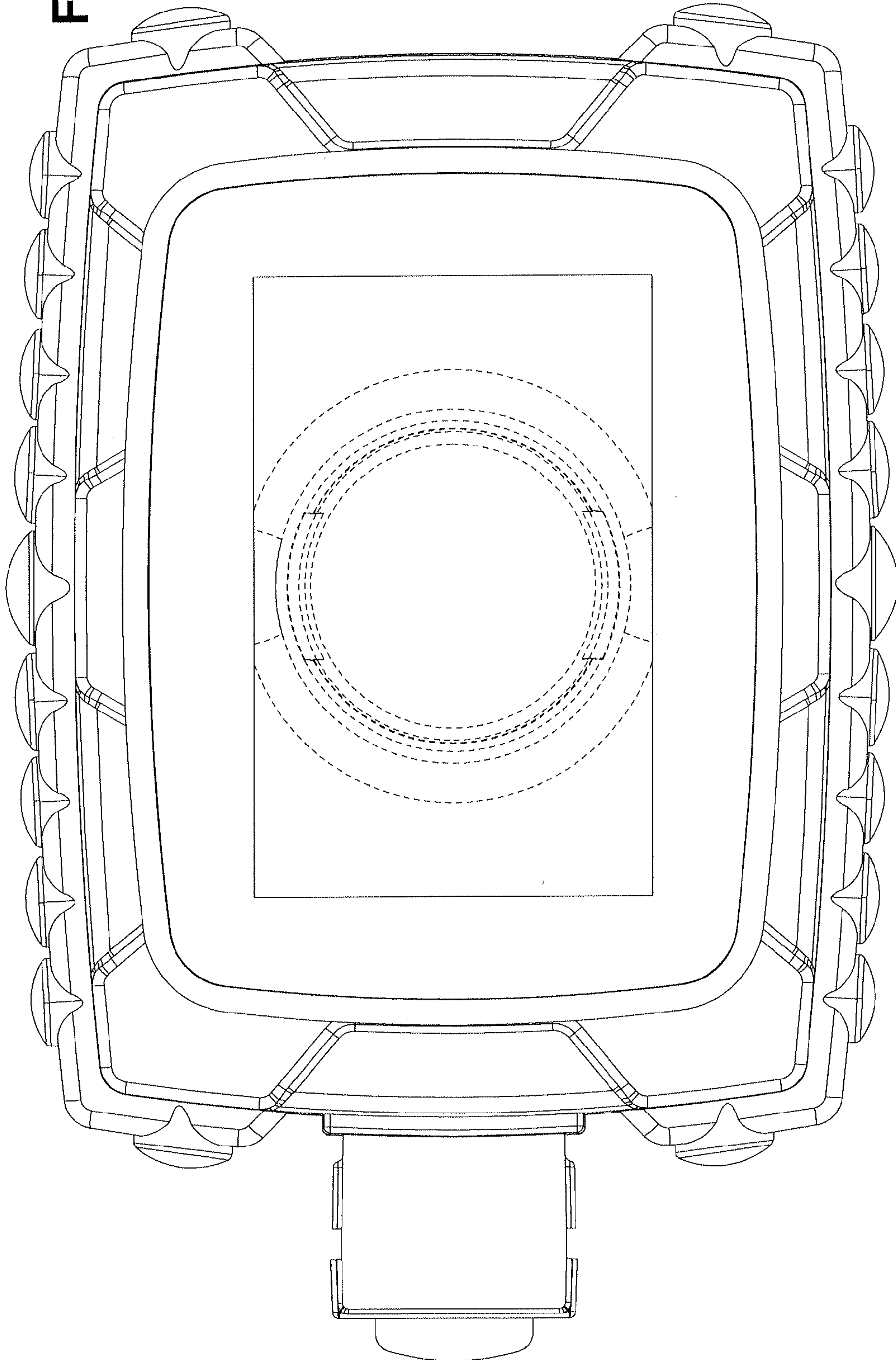


Fig. 9

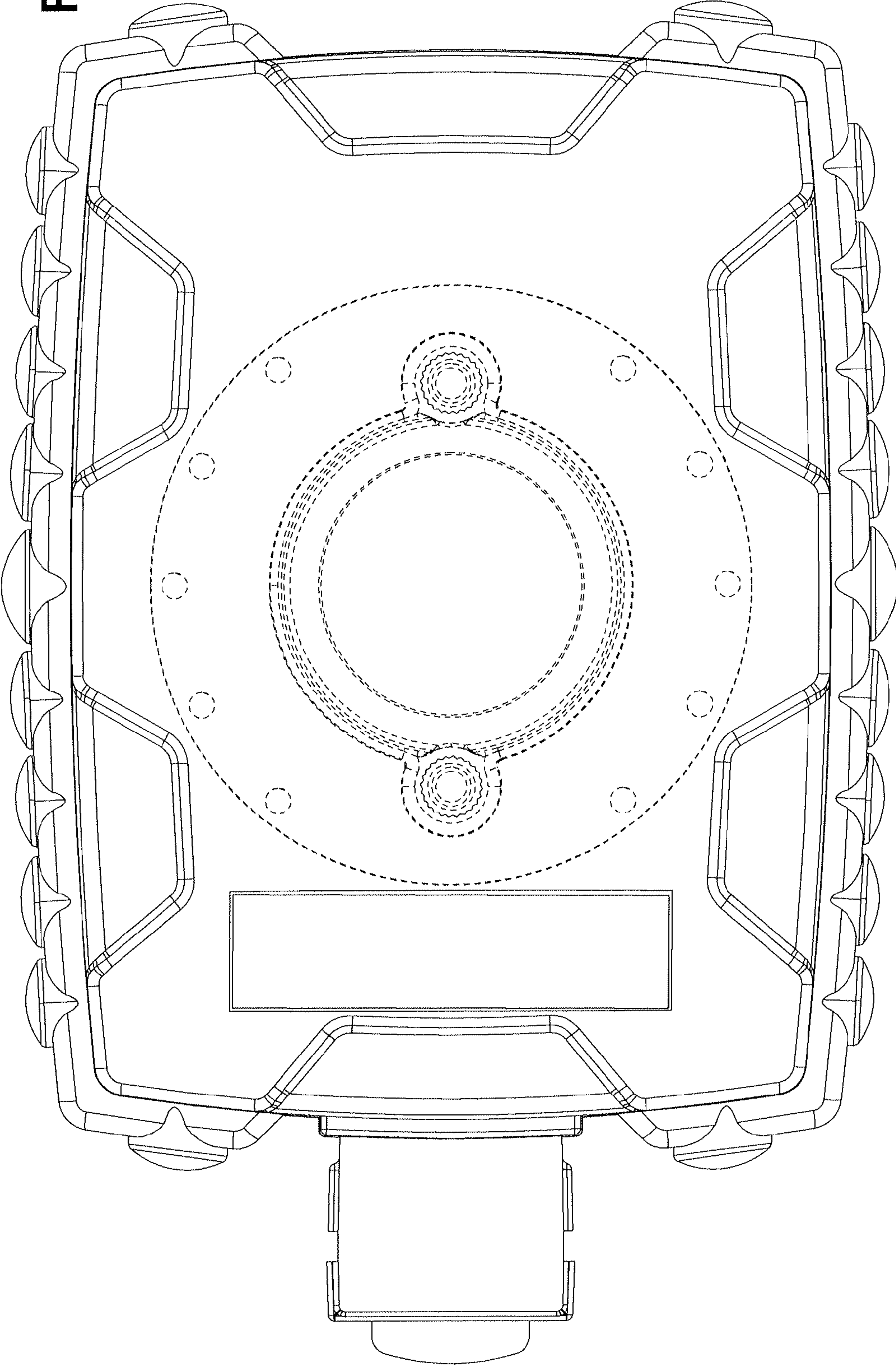




Fig. 10

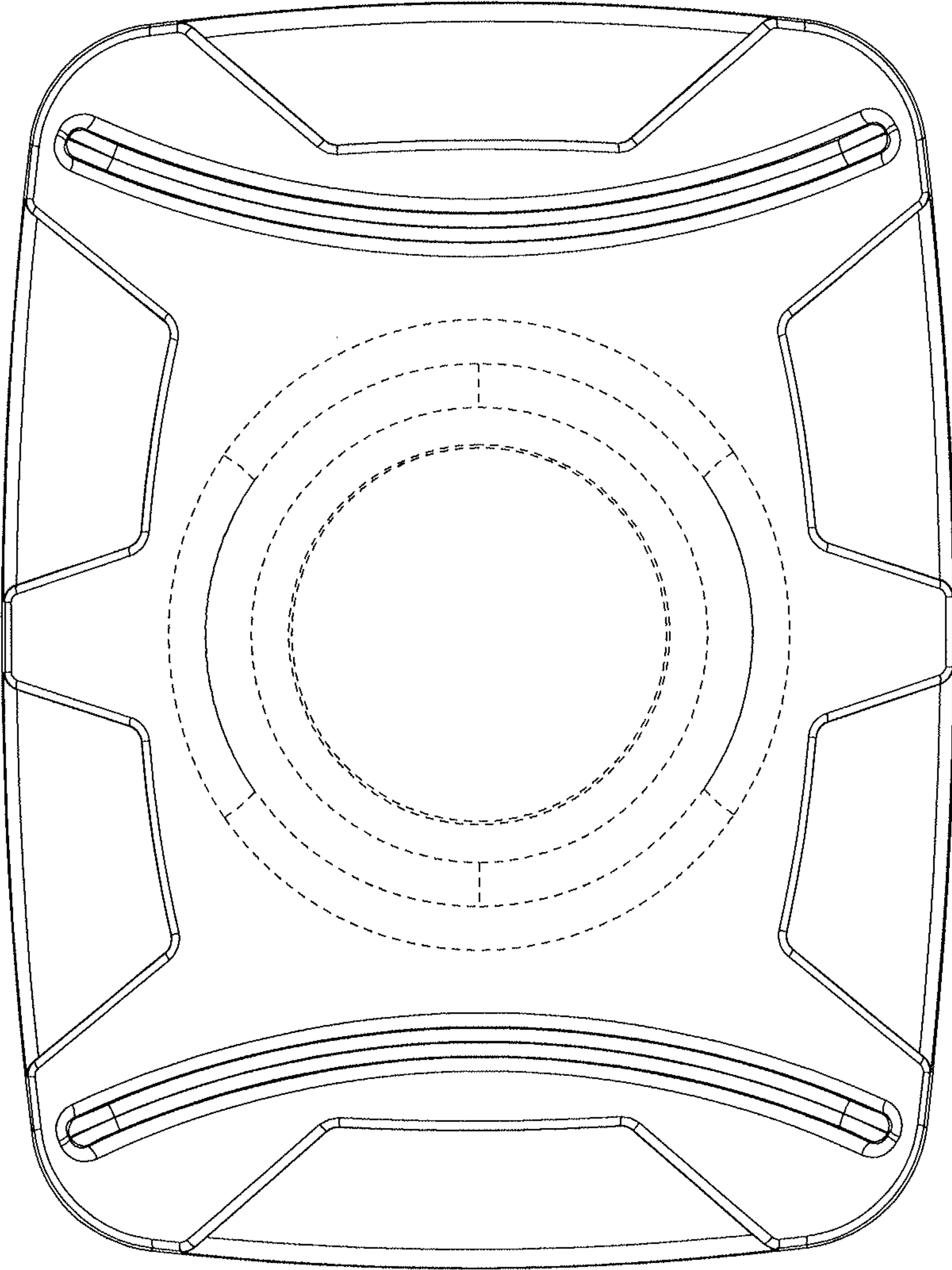




Fig. 11

