



US00D765896S

(12) **United States Design Patent** (10) **Patent No.:** **US D765,896 S**  
**Siazon et al.** (45) **Date of Patent:** **\*\* Sep. 6, 2016**

(54) **HANDLE LIGHT FOR A GRILL**

F21L 13/08; F21Y 2101/02  
See application file for complete search history.

(71) Applicants: **Romualdo Sonny Siazon**, Woodstock, IL (US); **Rajesh K. Sharma**, Round Lake, IL (US); **Patrick J. McVey**, Palatine, IL (US)

(56) **References Cited**

U.S. PATENT DOCUMENTS

D296,827 S *	7/1988	Yuen .....	D26/44
D332,839 S *	1/1993	Beckner, Jr. ....	D26/37
D349,776 S *	8/1994	Yuen .....	D26/44

\* cited by examiner

*Primary Examiner* — Marcus Jackson

(74) *Attorney, Agent, or Firm* — Niro Law, Ltd.

(72) Inventors: **Romualdo Sonny Siazon**, Woodstock, IL (US); **Rajesh K. Sharma**, Round Lake, IL (US); **Patrick J. McVey**, Palatine, IL (US)

(57) **CLAIM**

The ornamental design for a handle light for a grill, as shown and described.

(73) Assignee: **Weber-Stephen Products LLC**, Palatine, IL (US)

**DESCRIPTION**

(\*\*) Term: **15 Years**

FIG. 1 is a perspective view of the handle light for a grill of the present invention;  
 FIG. 2 is a top view of the handle light for a grill of the present invention;  
 FIG. 3 is a front view of the handle light for a grill of the present invention;  
 FIG. 4 is a right side view of the handle light for a grill of the present invention, the left side being a mirror image thereof;  
 FIG. 5 is a rear view of the handle light for a grill of the present invention; and,  
 FIG. 6 is a bottom view of the handle light for a grill of the present invention.

The broken lines shown in the Figures are for illustrative purposes only and form no part of the claimed design.

(21) Appl. No.: **29/530,663**

(22) Filed: **Jun. 18, 2015**

(51) **LOC (10) Cl.** ..... **26-02**

(52) **U.S. Cl.**  
USPC ..... **D26/37**

(58) **Field of Classification Search**  
USPC ..... D26/37-50; 362/157-184, 194-208  
CPC ..... F21V 33/00; F21V 14/025; F21L 17/00;

**1 Claim, 4 Drawing Sheets**

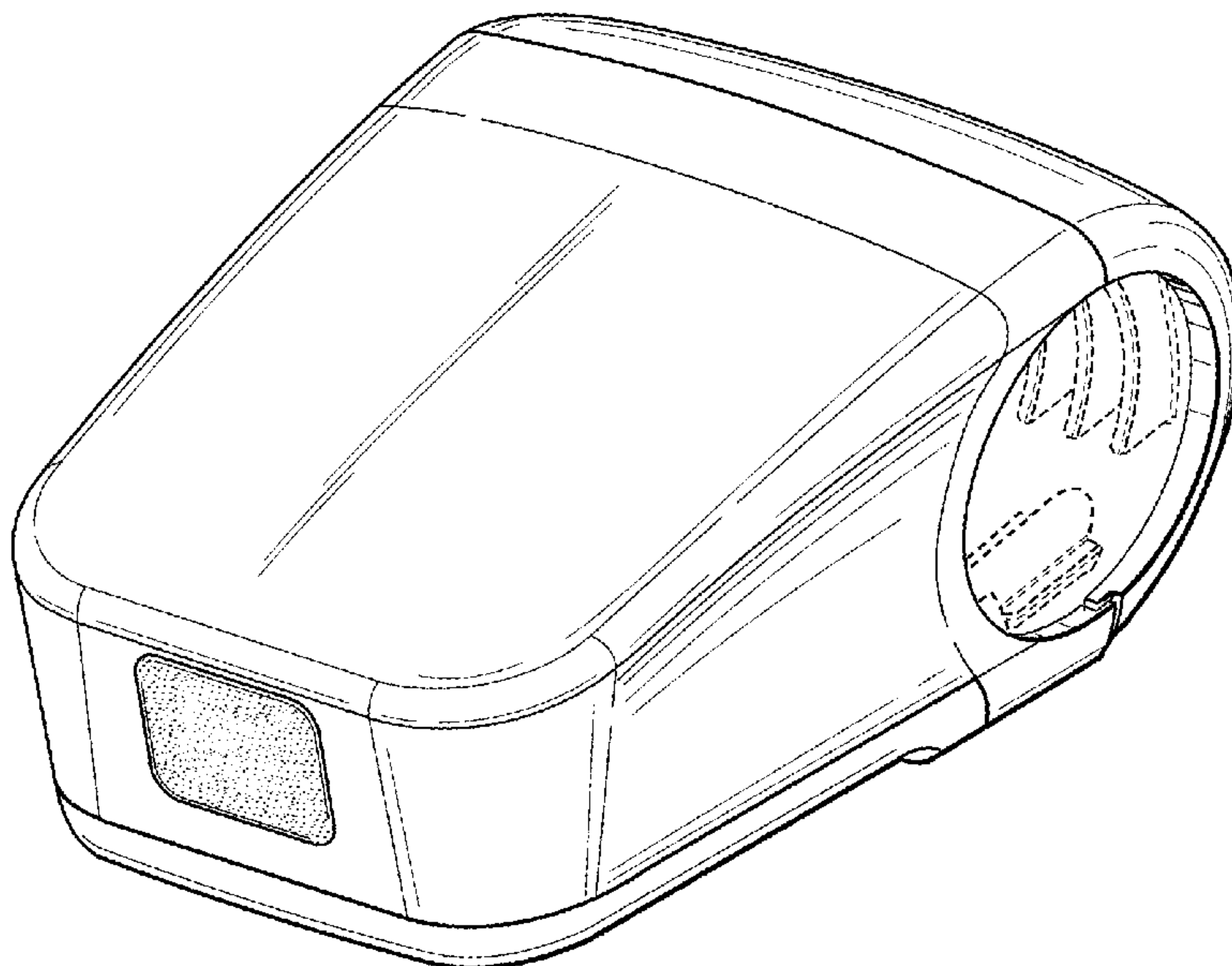


Fig. 1

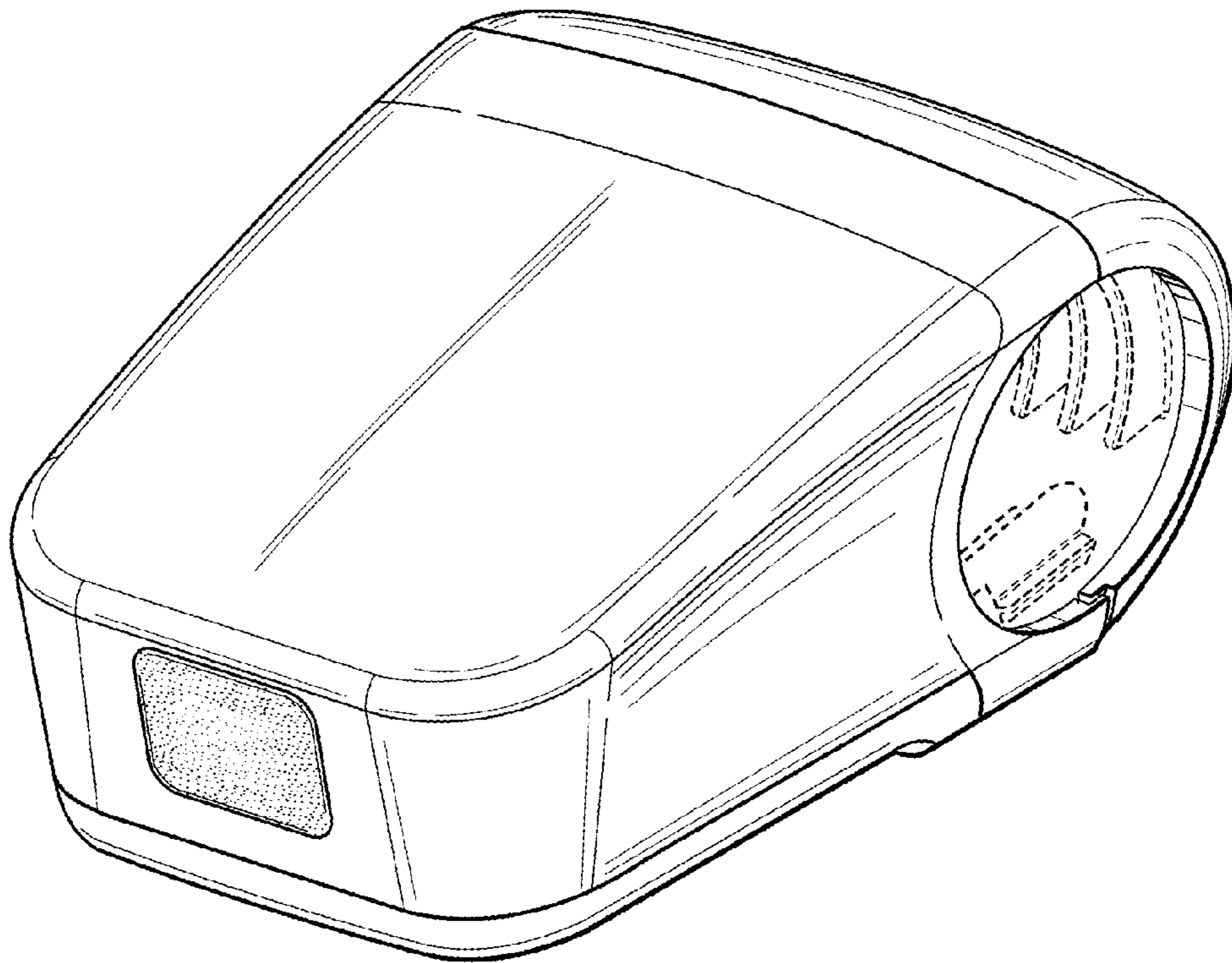


Fig. 2

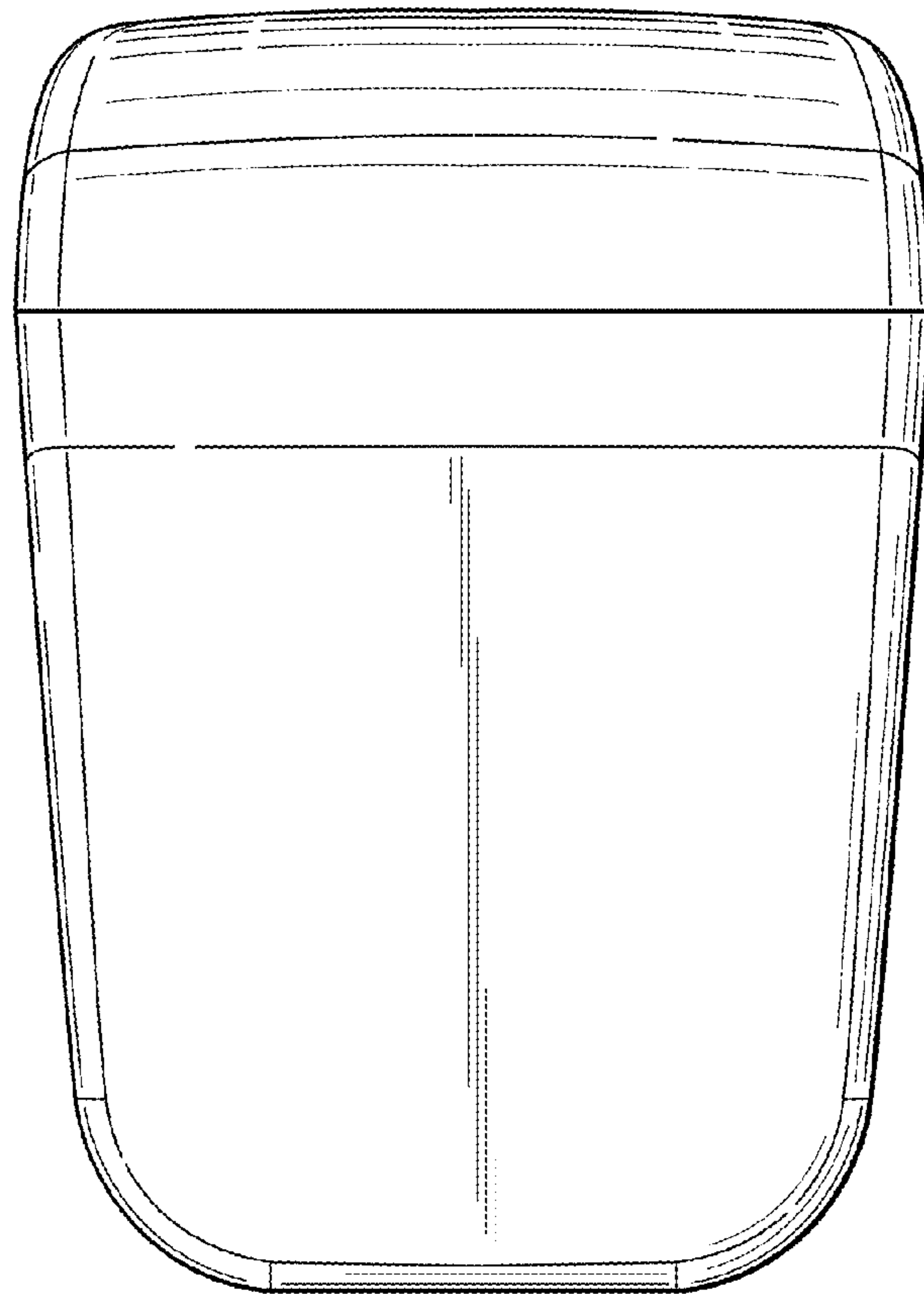


Fig. 3

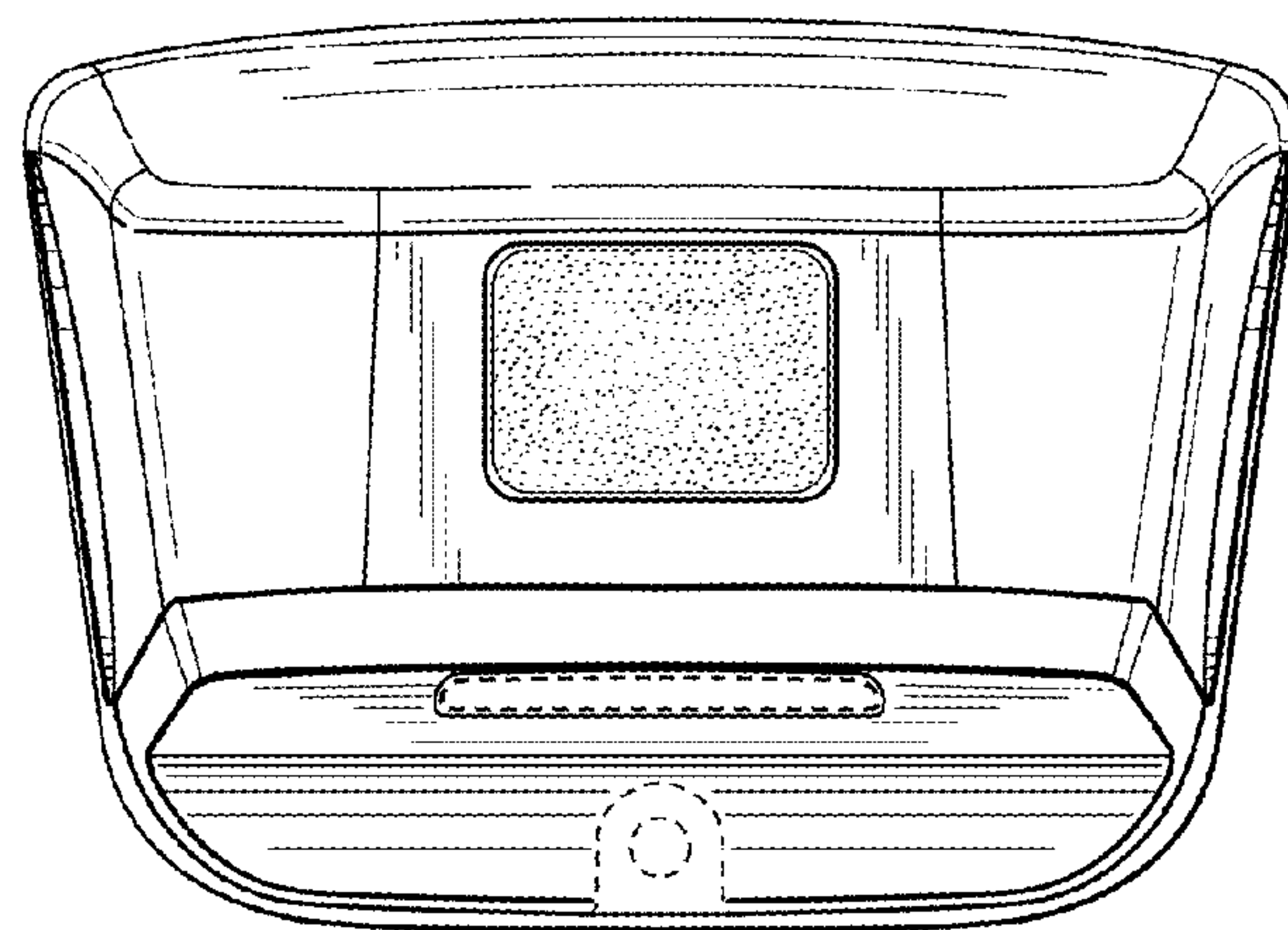


Fig. 4

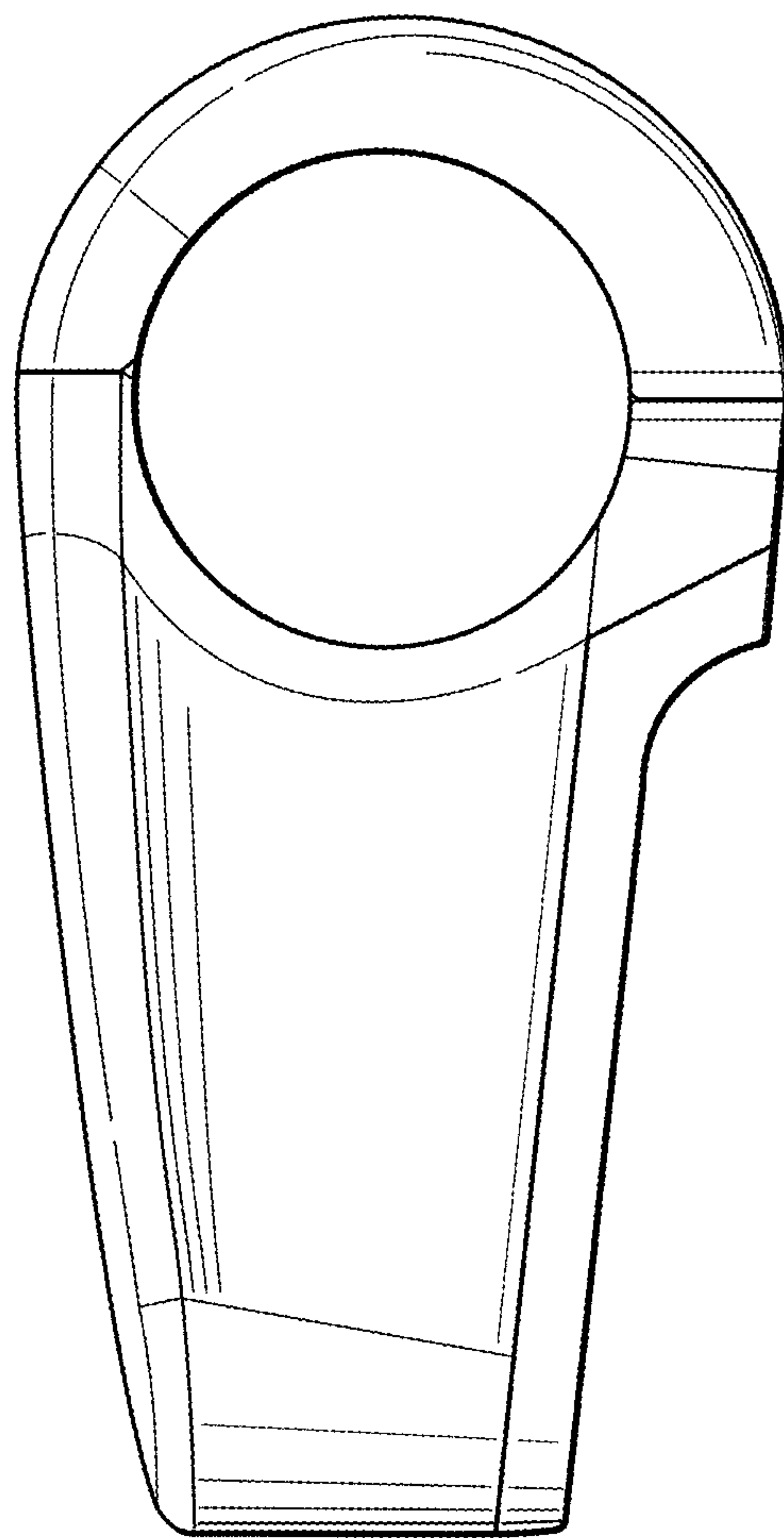


Fig. 5

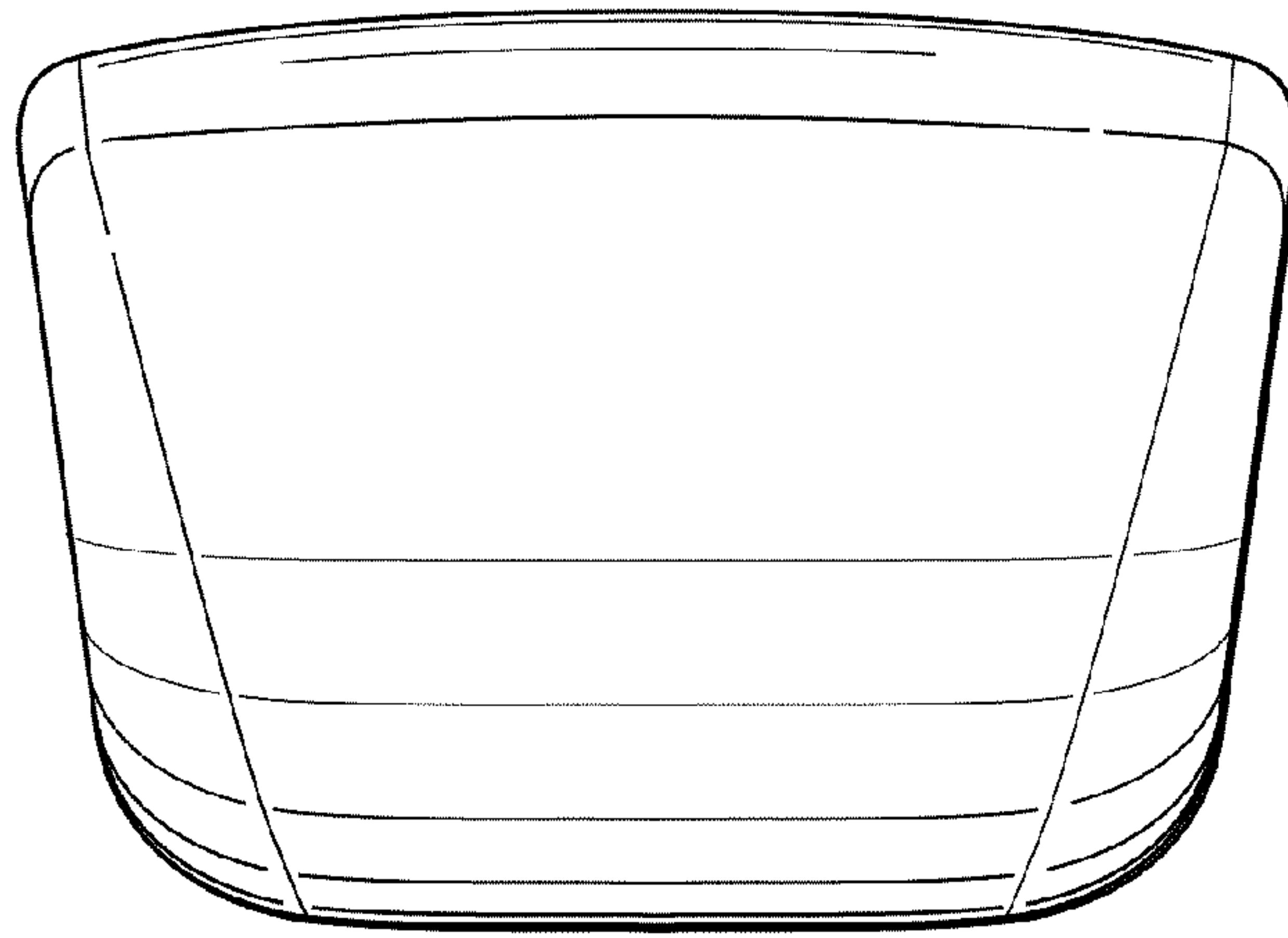


Fig. 6

