



US00D765893S

(12) **United States Design Patent** (10) **Patent No.:** **US D765,893 S**
Kim et al. (45) **Date of Patent:** **** Sep. 6, 2016**

(54) **VEHICLE REAR TAILLAMP**
(71) Applicant: **GM GLOBAL TECHNOLOGY OPERATIONS LLC**, Detroit, MI (US)

D595,880 S * 7/2009 Lamm D26/28
D602,616 S * 10/2009 Okamura D26/28
D605,793 S * 12/2009 Weil D26/28

(72) Inventors: **Jeasoo Kim**, Troy, MI (US); **Phillip A. Zak, Jr.**, West Bloomfield, MI (US)

OTHER PUBLICATIONS

Design U.S. Appl. No. 29/457,761, filed Jun. 12, 2013; First Named Inventor: Niels Loeb; Title: Vehicle Rearlight; 4 pages.
Design U.S. Appl. No. 29/457,762, filed Jun. 12, 2013; First Named Inventor: Niels Loeb; Title: Vehicle Rearlight; 4 pages.
Design U.S. Appl. No. 29/473,980, filed Nov. 27, 2013; First Named Inventor: Louis D. Thole; Title: Vehicle Rear Taillamp; 3 pages.
Design U.S. Appl. No. 29/492,639, filed Jun. 2, 2014; First Named Inventor: Jeasoo Kim; Title: Vehicle Body Exterior; 7 pages.
Design U.S. Appl. No. 29/501,210, filed Sep. 2, 2014; First Named Inventor: Robert E. Boniface; Title: Vehicle Rearlight; 3 pages.
Design U.S. Appl. No. 29/503,855, filed Sep. 30, 2014; First Named Inventor: Robert B. McMahan; Title: Vehicle Rear Taillamp; 3 pages.

(73) Assignee: **GM Global Technology Operations LLC**, Detroit, MI (US)

(**) Term: **14 Years**

(21) Appl. No.: **29/524,380**

(22) Filed: **Apr. 20, 2015**

(51) **LOC (10) Cl.** **26-06**

(52) **U.S. Cl.**
USPC **D26/28**

(58) **Field of Classification Search**
USPC D26/28-36; 362/61, 80-83, 267-269, 362/459-468, 475-478, 485-487
CPC F21S 48/00; F21S 48/10; F21S 48/115; F21S 48/225; F21S 48/1233; F21S 48/1266; F21S 48/1388; F21S 48/2268; F21V 21/04
See application file for complete search history.

* cited by examiner

Primary Examiner — Marcus Jackson

(74) *Attorney, Agent, or Firm* — Reising Ethington P.C.

(57) **CLAIM**

The ornamental design for a vehicle rear taillamp, as shown and described.

DESCRIPTION

FIG. 1 is a perspective view of a vehicle rear taillamp;
FIG. 2 is a front view thereof;
FIG. 3 is a side view thereof; and,
FIG. 4 is a top view thereof.

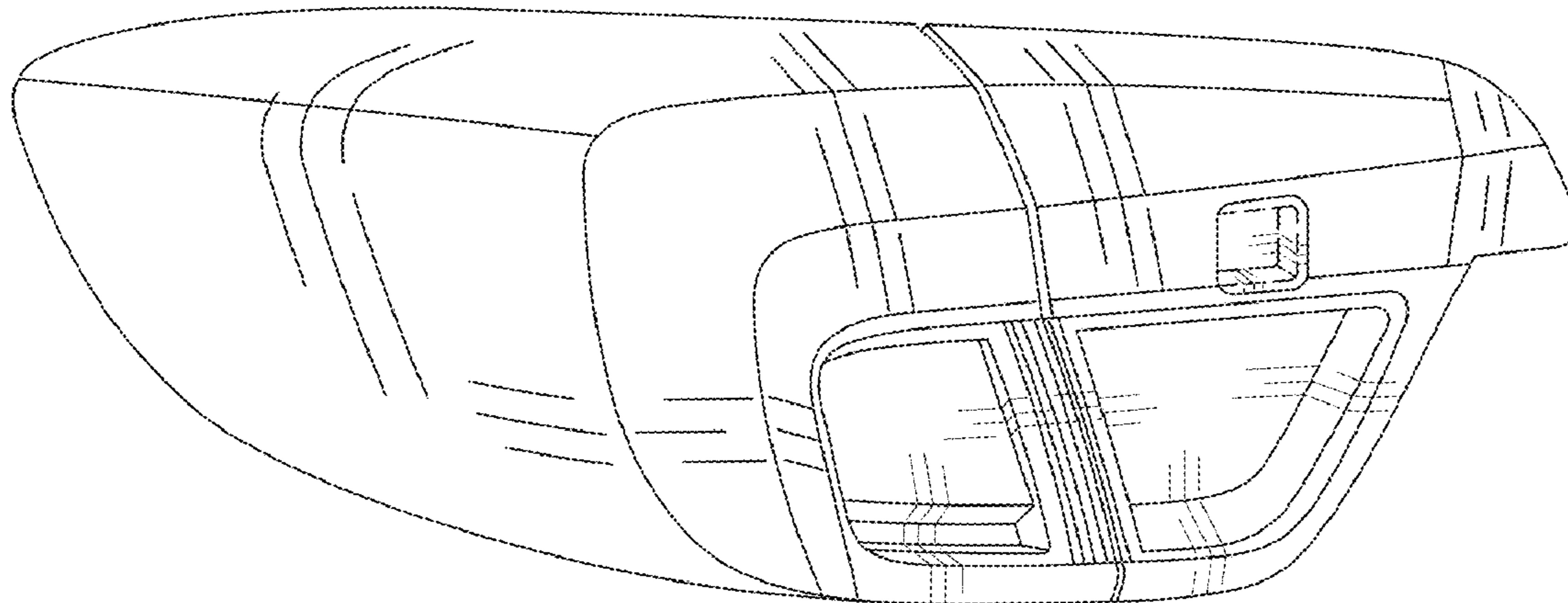
In the drawings, the portions shown by broken lines form no part of the claimed design.

1 Claim, 2 Drawing Sheets

(56) **References Cited**

U.S. PATENT DOCUMENTS

D526,427 S * 8/2006 Morioka D26/28
D550,380 S * 9/2007 Lin D26/28
D552,769 S * 10/2007 Leclercq D26/28
D565,211 S * 3/2008 Haller D26/28



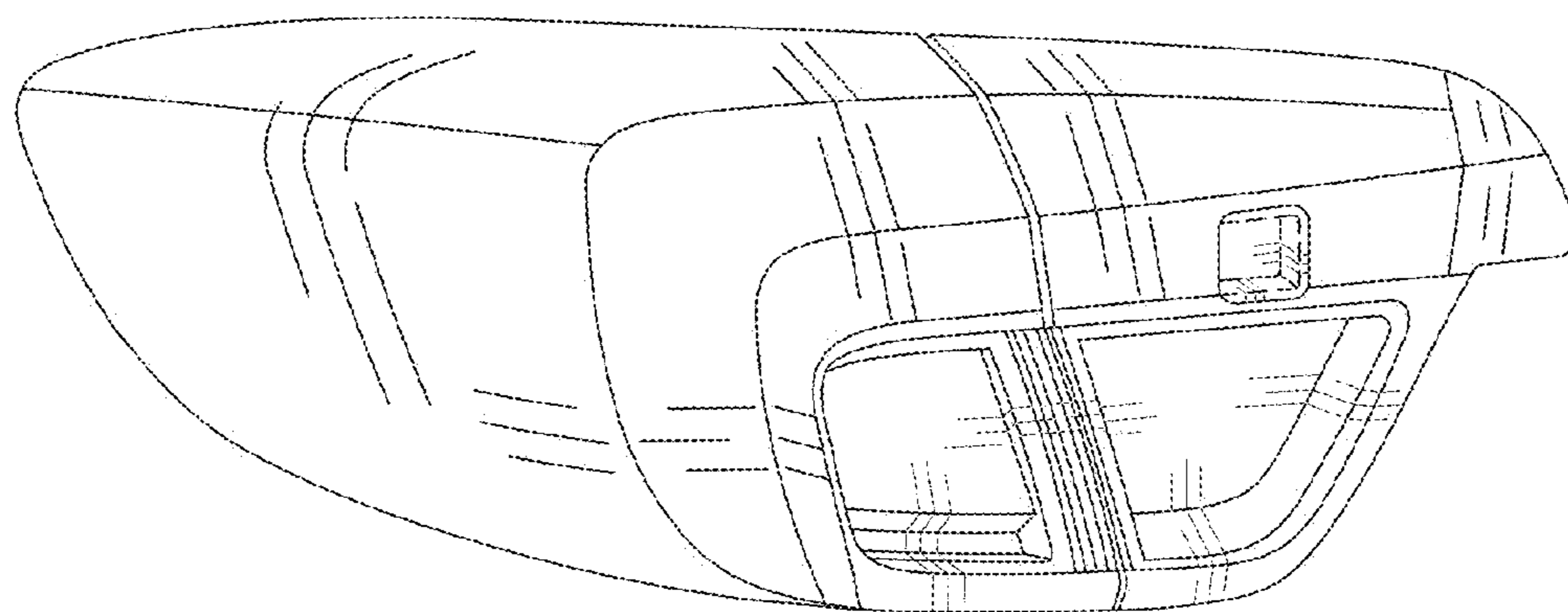


Fig-1

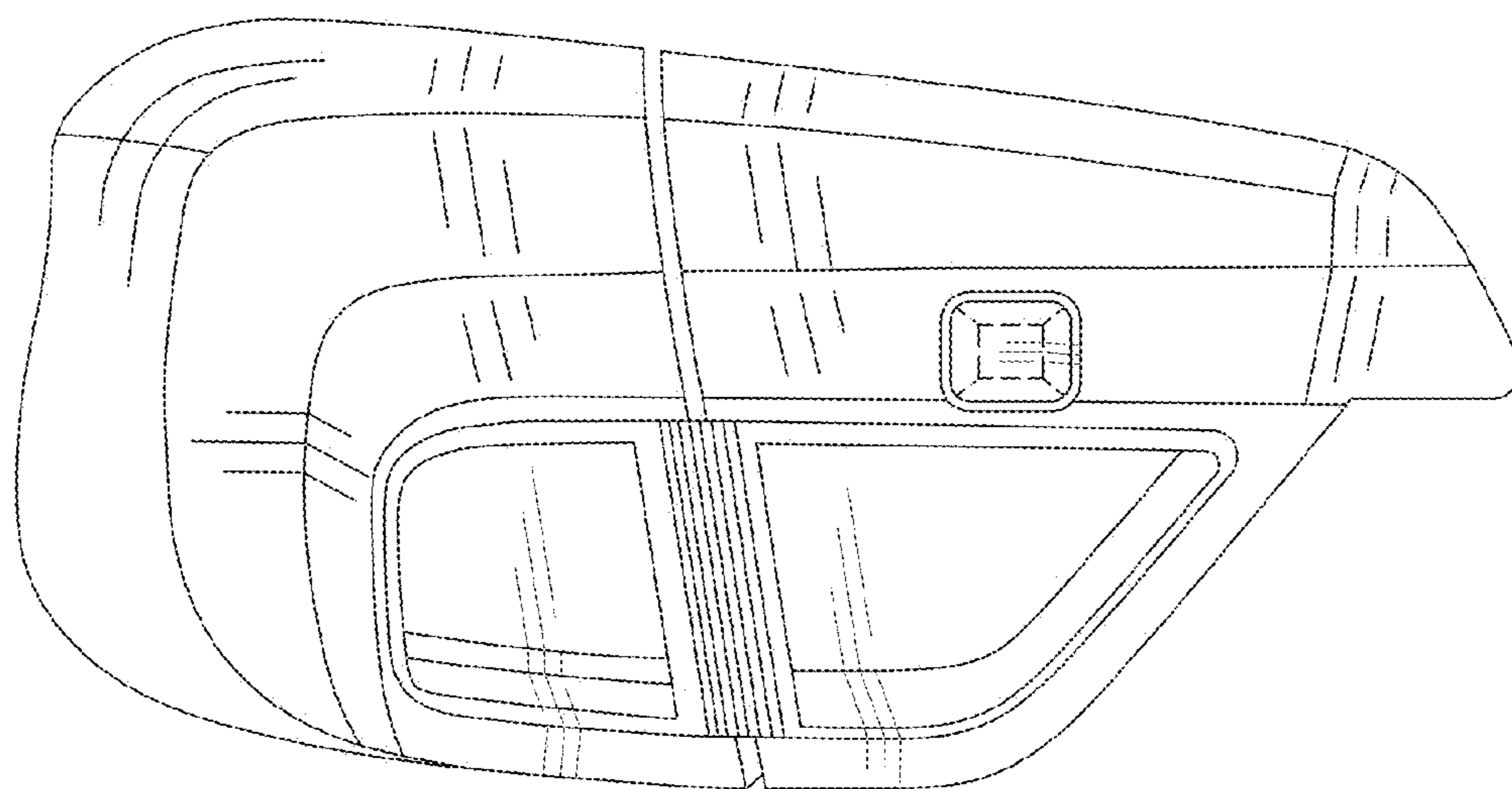


Fig-2

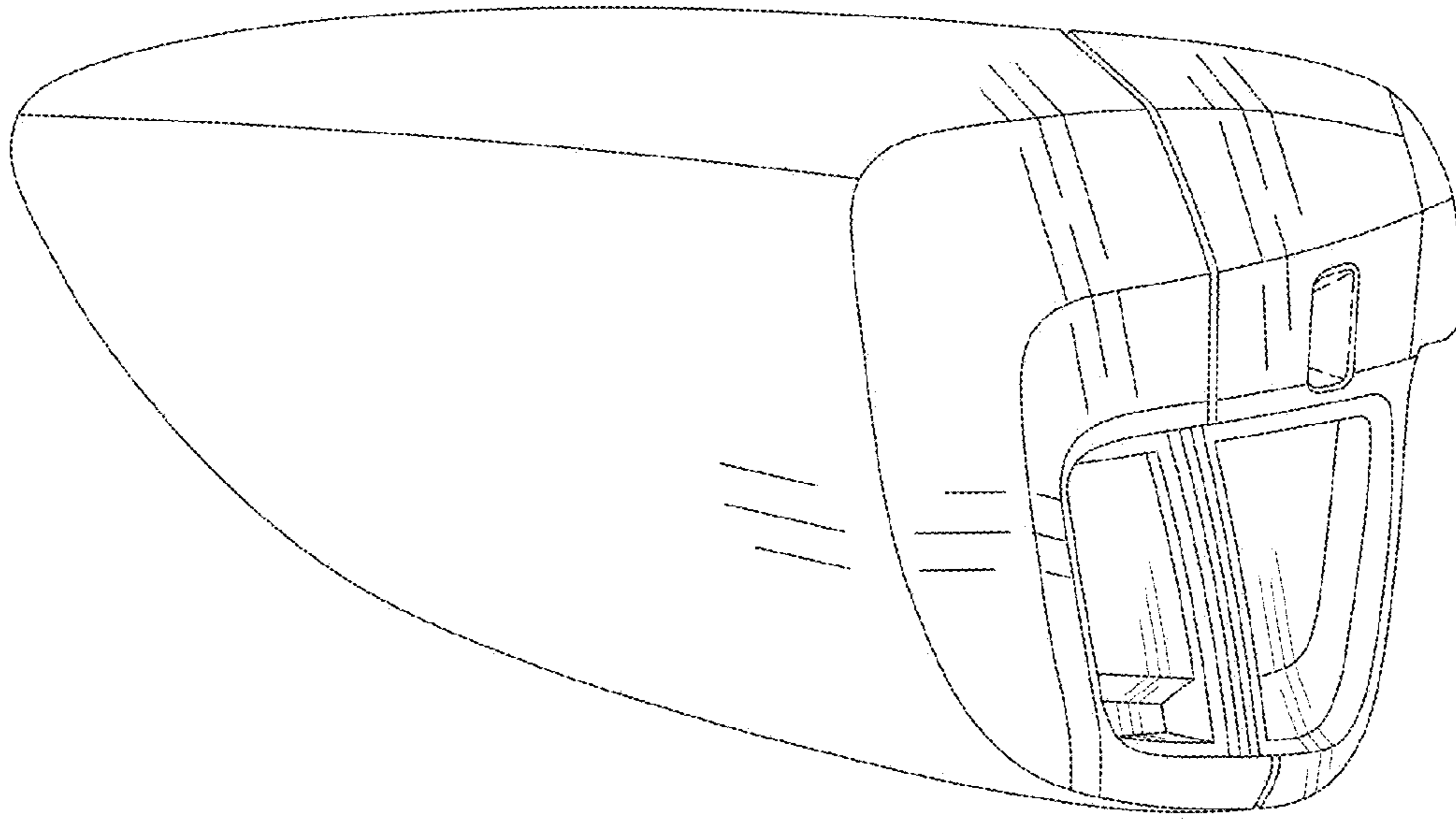


Fig-3

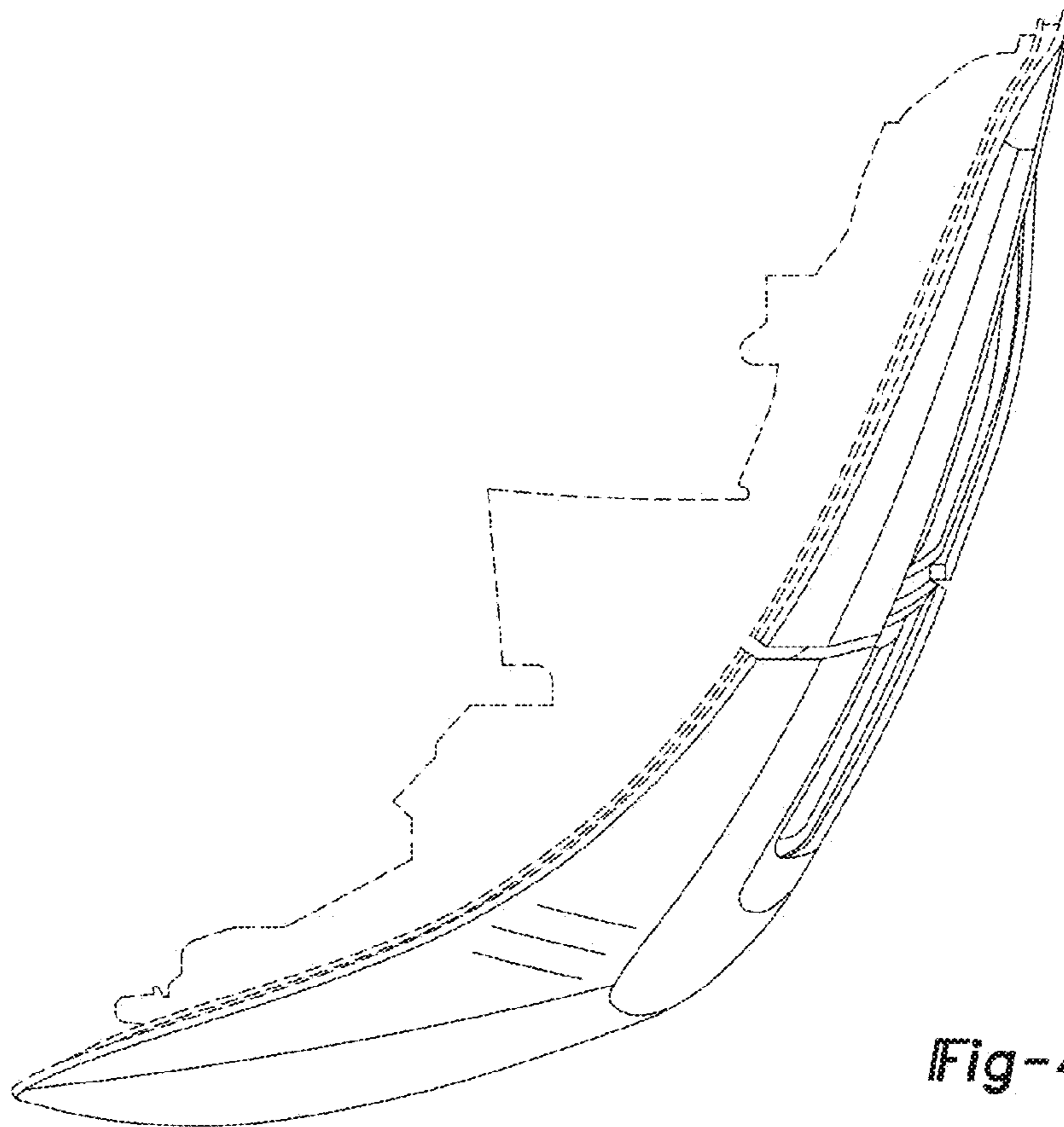


Fig-4