



US00D765889S

(12) **United States Design Patent**
Largent

(10) **Patent No.:** **US D765,889 S**

(45) **Date of Patent:** **** Sep. 6, 2016**

(54) **LIGHT FIXTURE**

Primary Examiner — Marcus Jackson

(71) Applicant: **Christopher P. Largent**, Phoenix, AZ
(US)

(72) Inventor: **Christopher P. Largent**, Phoenix, AZ
(US)

(73) Assignee: **JST Performance, LLC**, Gilbert, AZ
(US)

(**) Term: **15 Years**

(21) Appl. No.: **29/535,432**

(22) Filed: **Aug. 6, 2015**

(51) **LOC (10) Cl.** **26-04**

(52) **U.S. Cl.**
USPC **D26/1**

(58) **Field of Classification Search**
USPC D26/1-4; 313/313, 315, 316, 317, 318,
313/493; 315/52, 53, 56, 57, 58
CPC H01J 5/48; H01J 5/50; H01J 19/54;
F21V 5/00; F21K 9/13; F21K 9/135; F21K
9/1375

See application file for complete search history.

(56) **References Cited**

U.S. PATENT DOCUMENTS

D470,970 S *	2/2003	Huang	D26/123
D508,291 S *	8/2005	Janssen	D26/1
D510,148 S *	9/2005	Huang	D26/2
D561,372 S *	2/2008	Yan	D26/72
D578,672 S *	10/2008	Takada	D26/1

* cited by examiner

(57) **CLAIM**

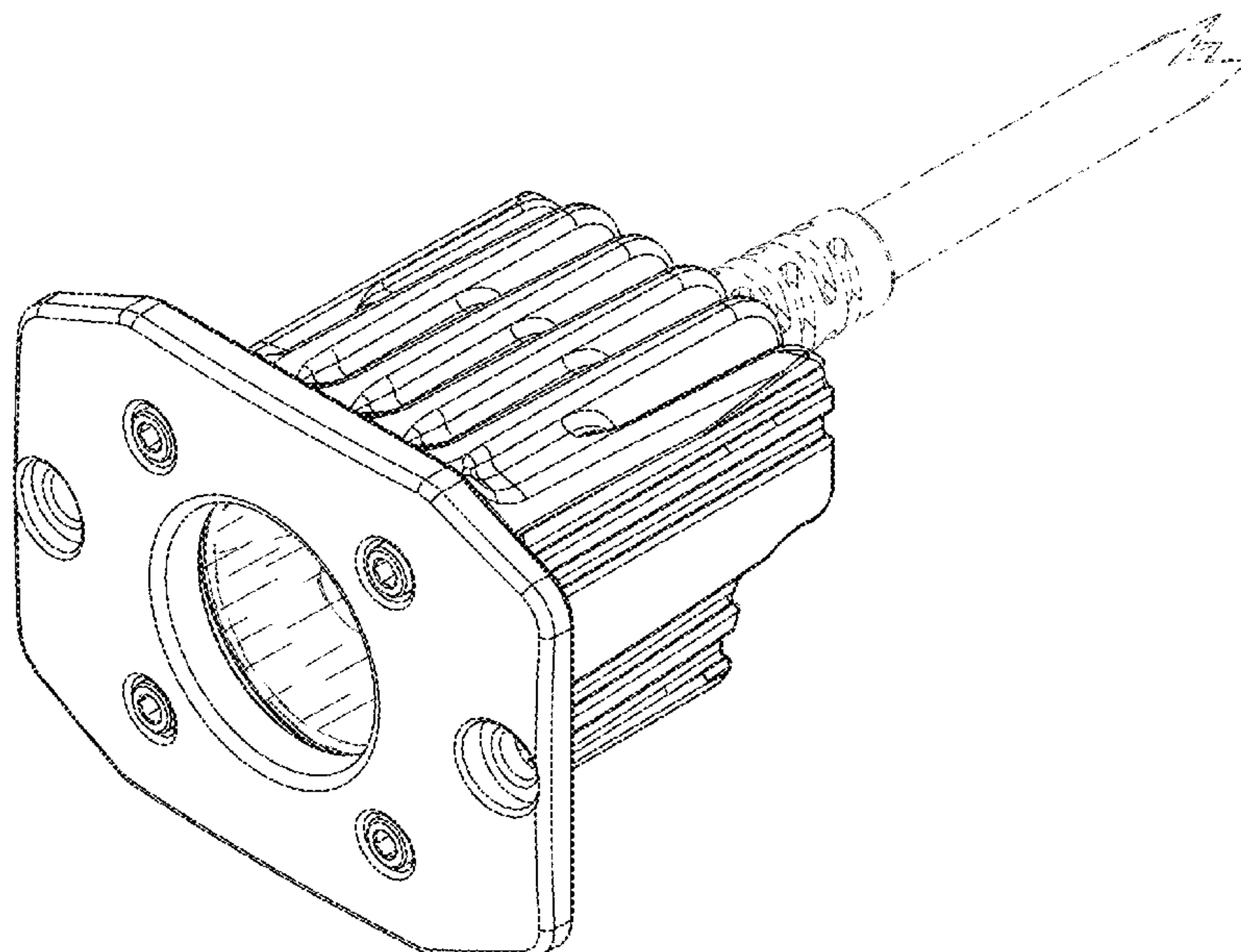
The ornamental design for a light fixture, as shown and described.

DESCRIPTION

FIG. 1 is a front, right, top perspective view a light fixture showing our new design;
 FIG. 2 is a front, left, top perspective view thereof;
 FIG. 3 is a second embodiment of FIG. 1, the only difference being the configuration of the lens;
 FIG. 4 is a second embodiment of FIG. 2, the only difference being the configuration of the lens;
 FIG. 5 is a front, right, bottom perspective view thereof;
 FIG. 6 is a front, left, bottom perspective view thereof;
 FIG. 7 is a back, right, top perspective view thereof;
 FIG. 8 is a back, left, top perspective view thereof;
 FIG. 9 is a back, left, bottom perspective view thereof;
 FIG. 10 is a back, right, bottom perspective view thereof;
 FIG. 11 is a front side view thereof;
 FIG. 12 is a back side view thereof;
 FIG. 13 is a left side view thereof;
 FIG. 14 is a right side view thereof;
 FIG. 15 is a top view thereof; and,
 FIG. 16 is a bottom view thereof.

The broken lines showing environment in the drawings are for illustrative purposes only and form no part of the claimed design.

1 Claim, 11 Drawing Sheets



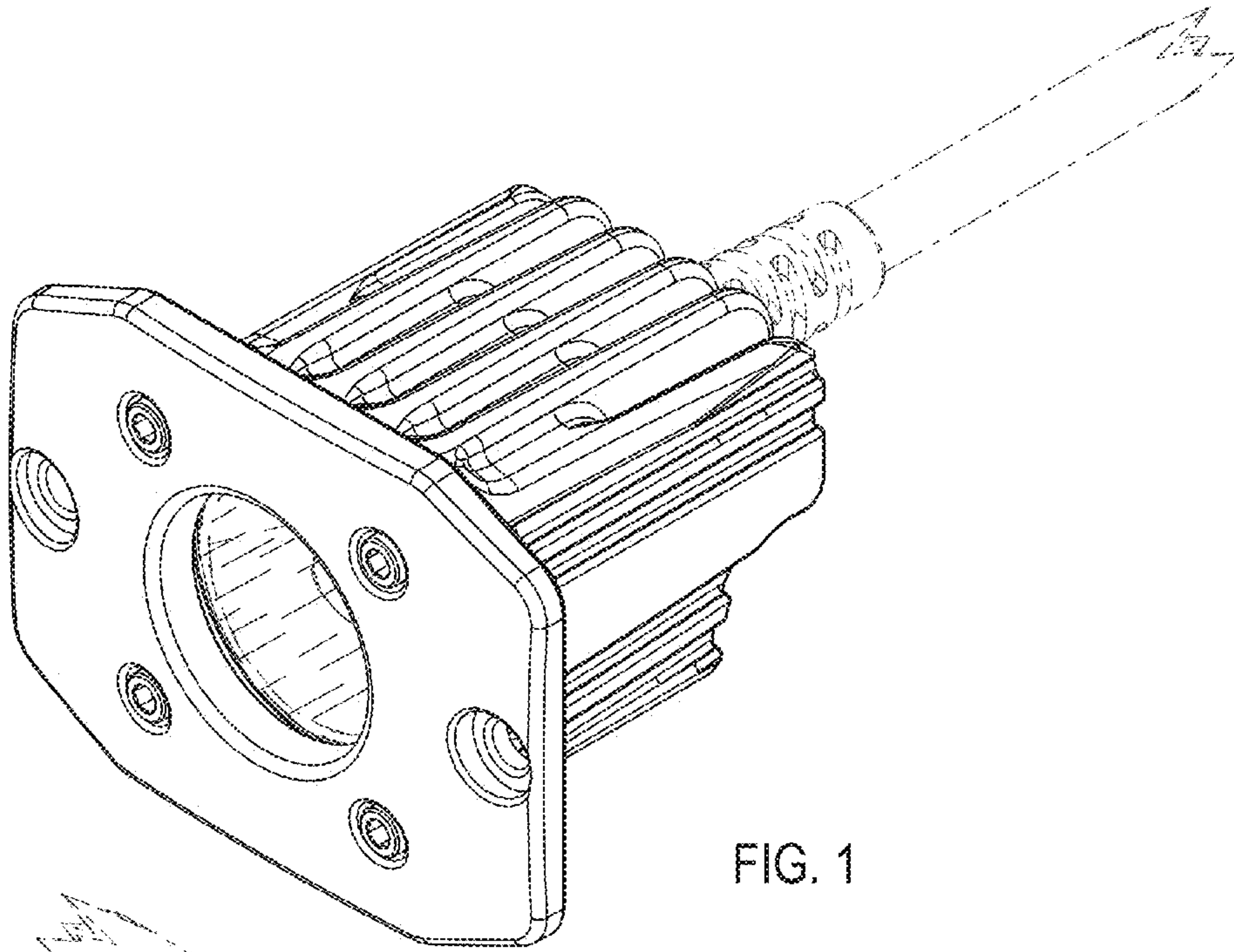


FIG. 1

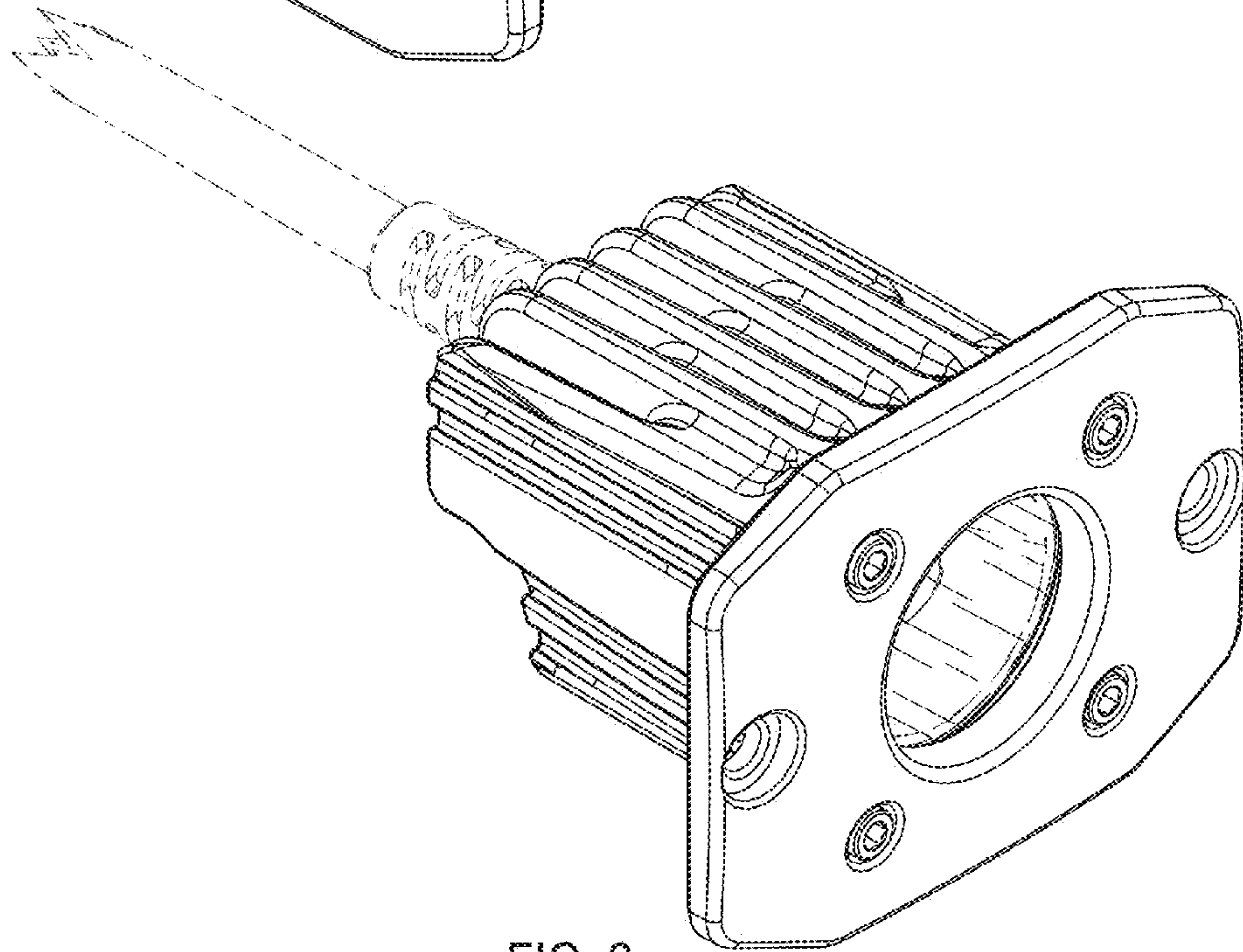


FIG. 2

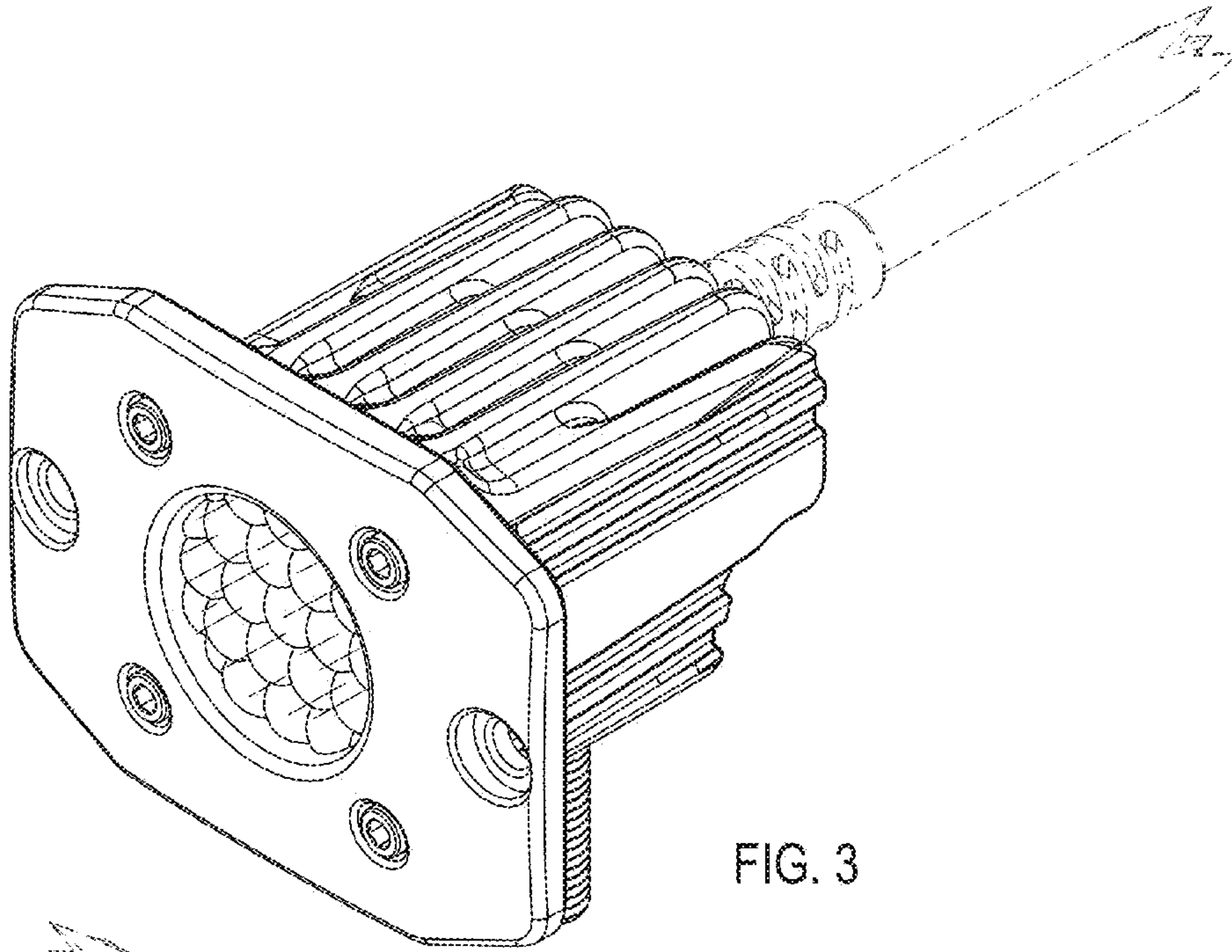


FIG. 3

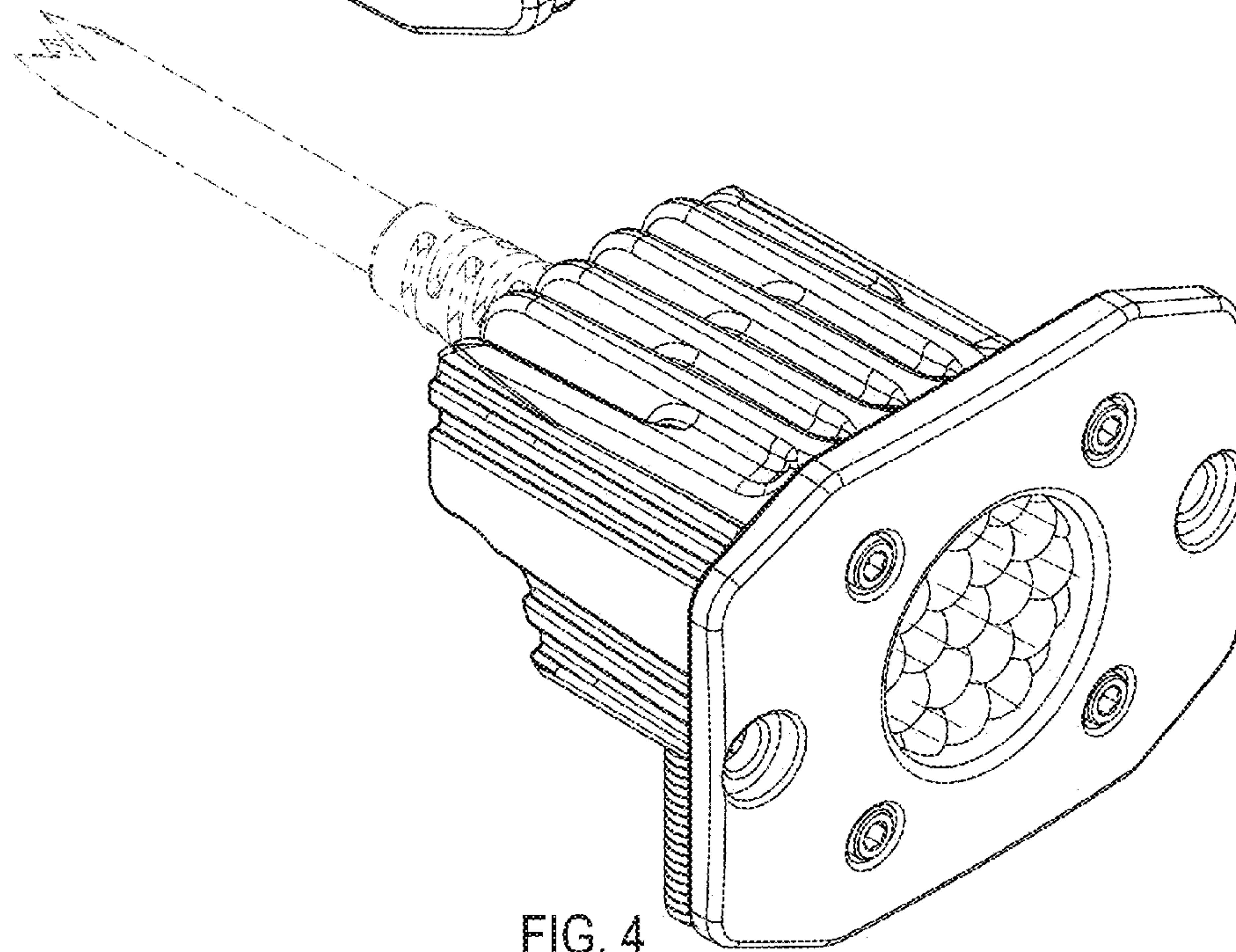


FIG. 4

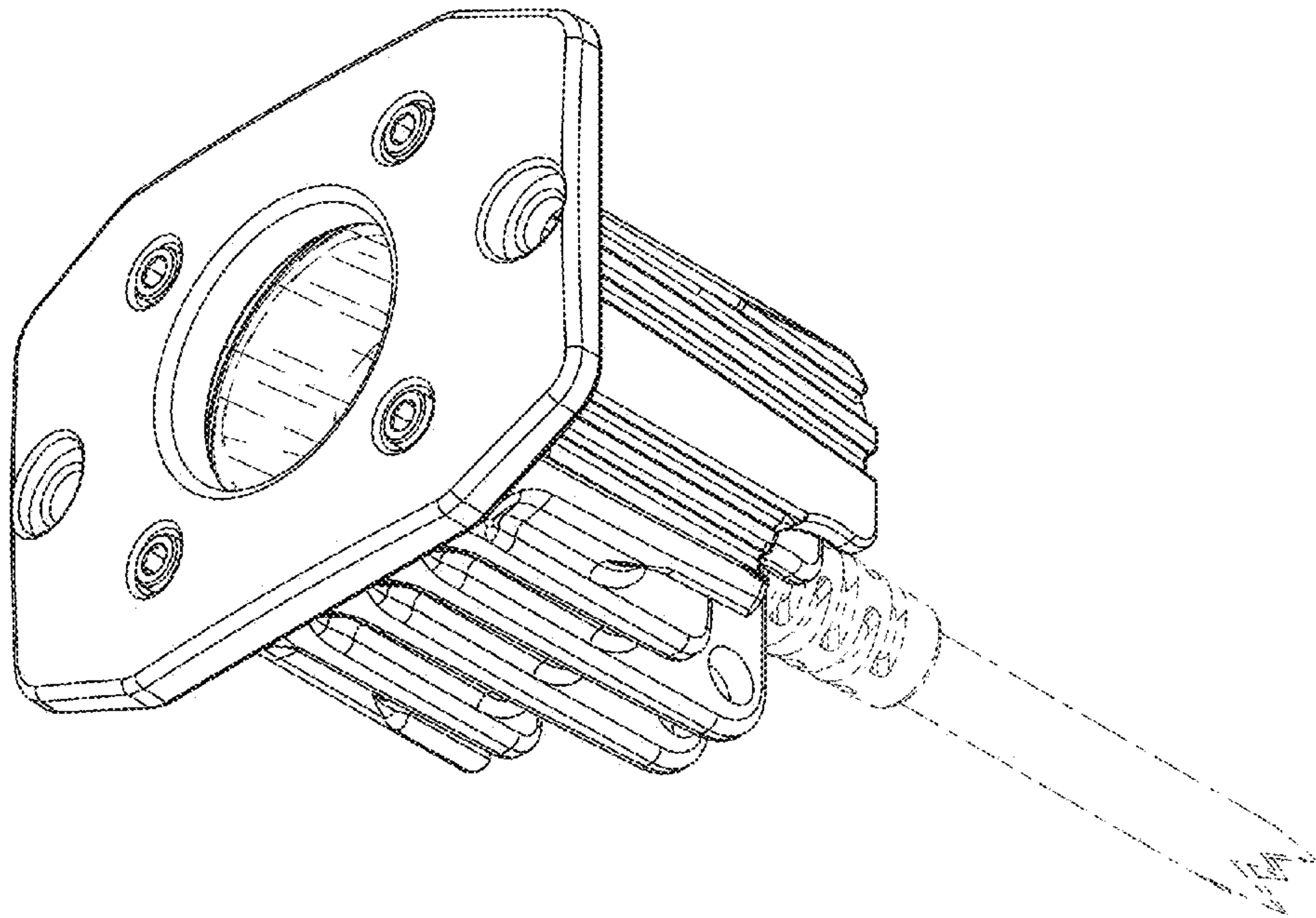


FIG. 5

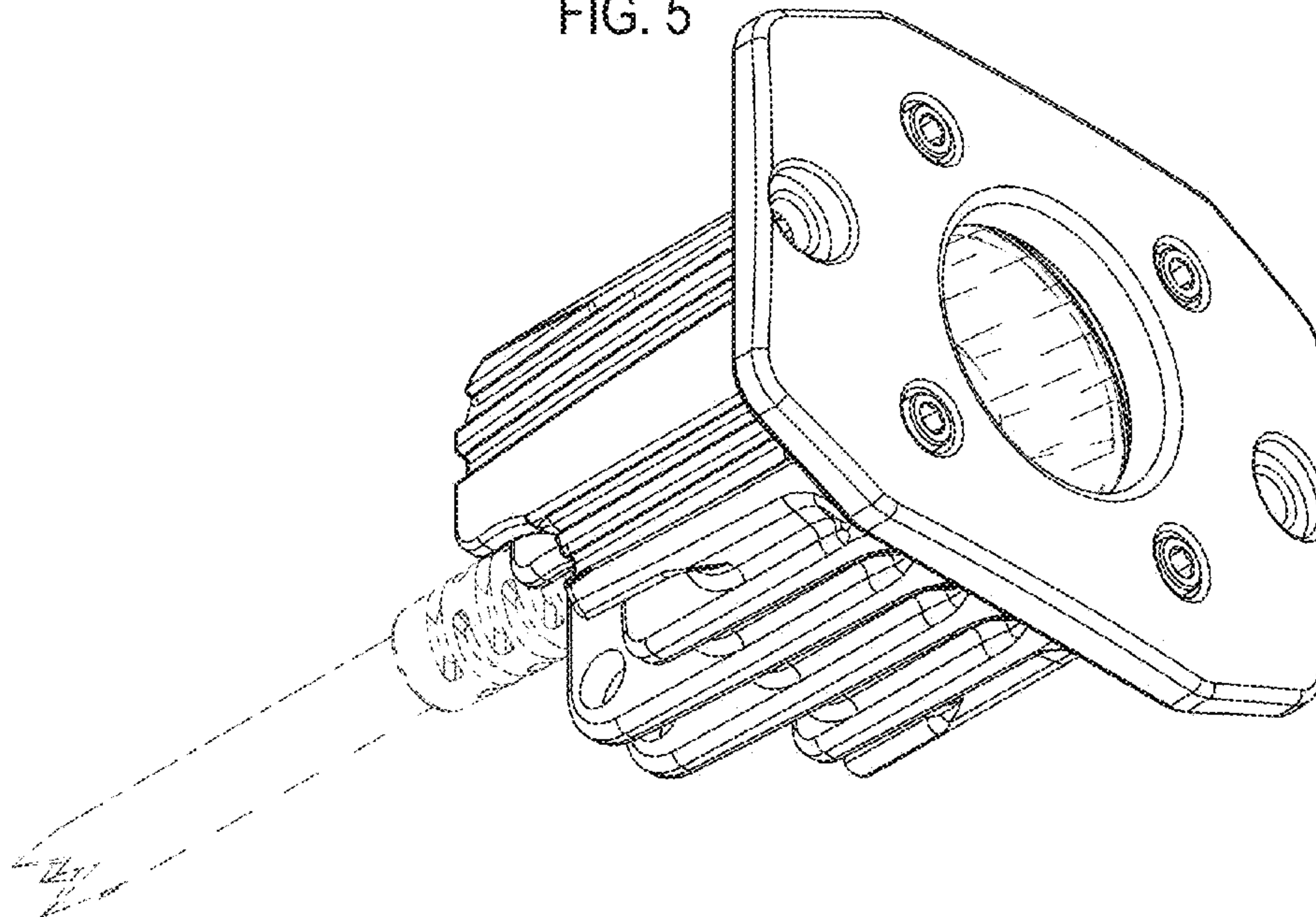


FIG. 6

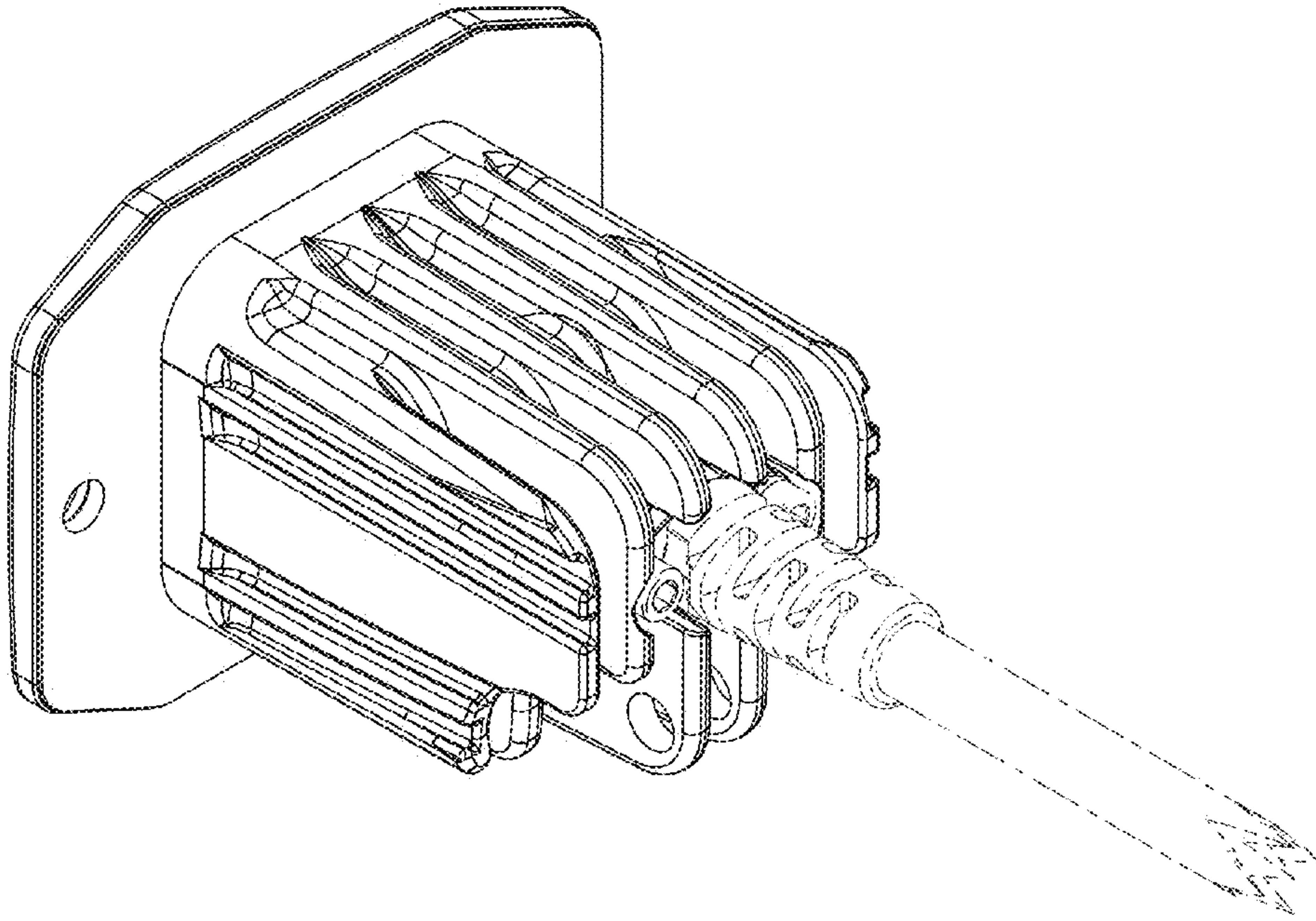


FIG. 7

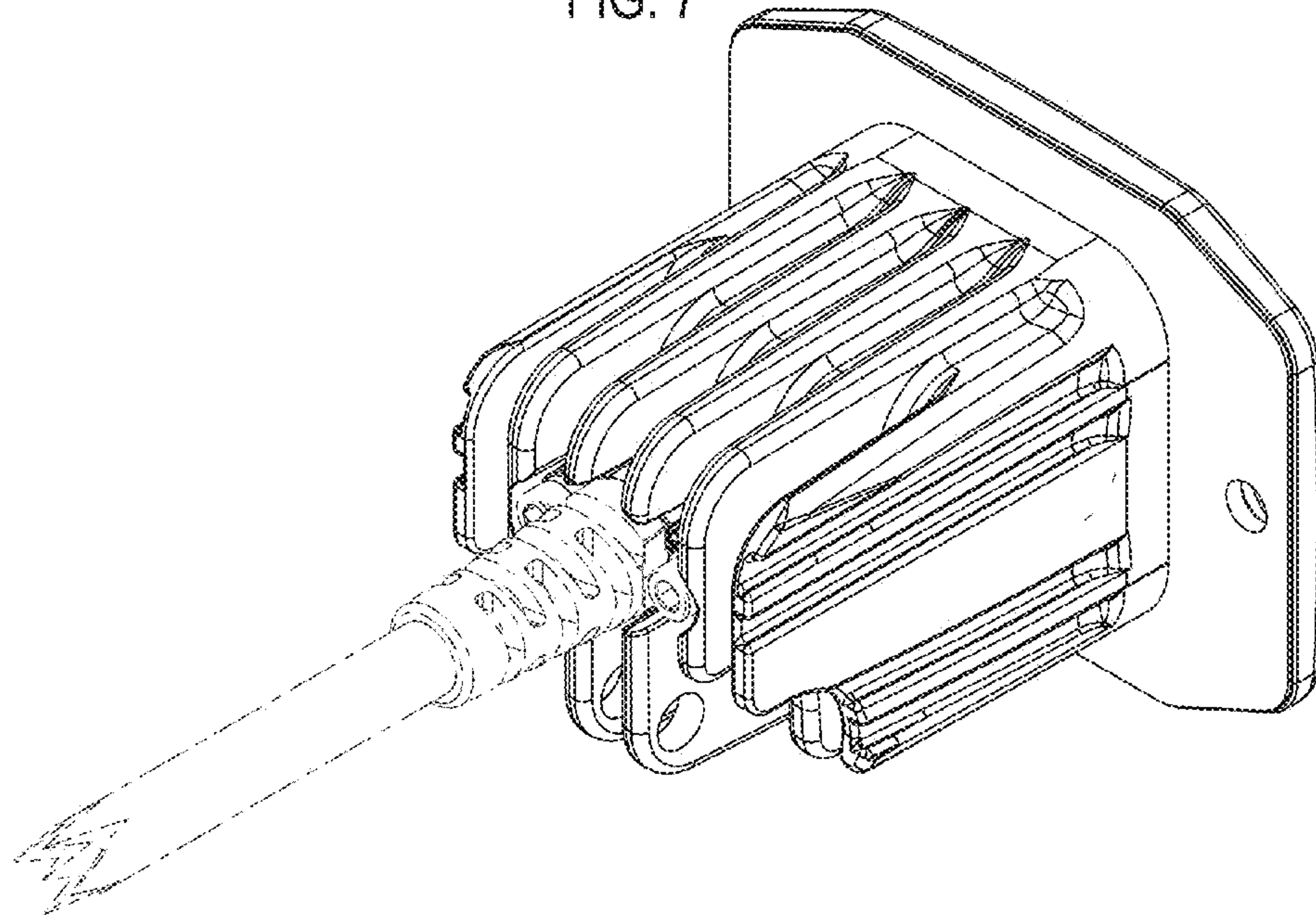


FIG. 8

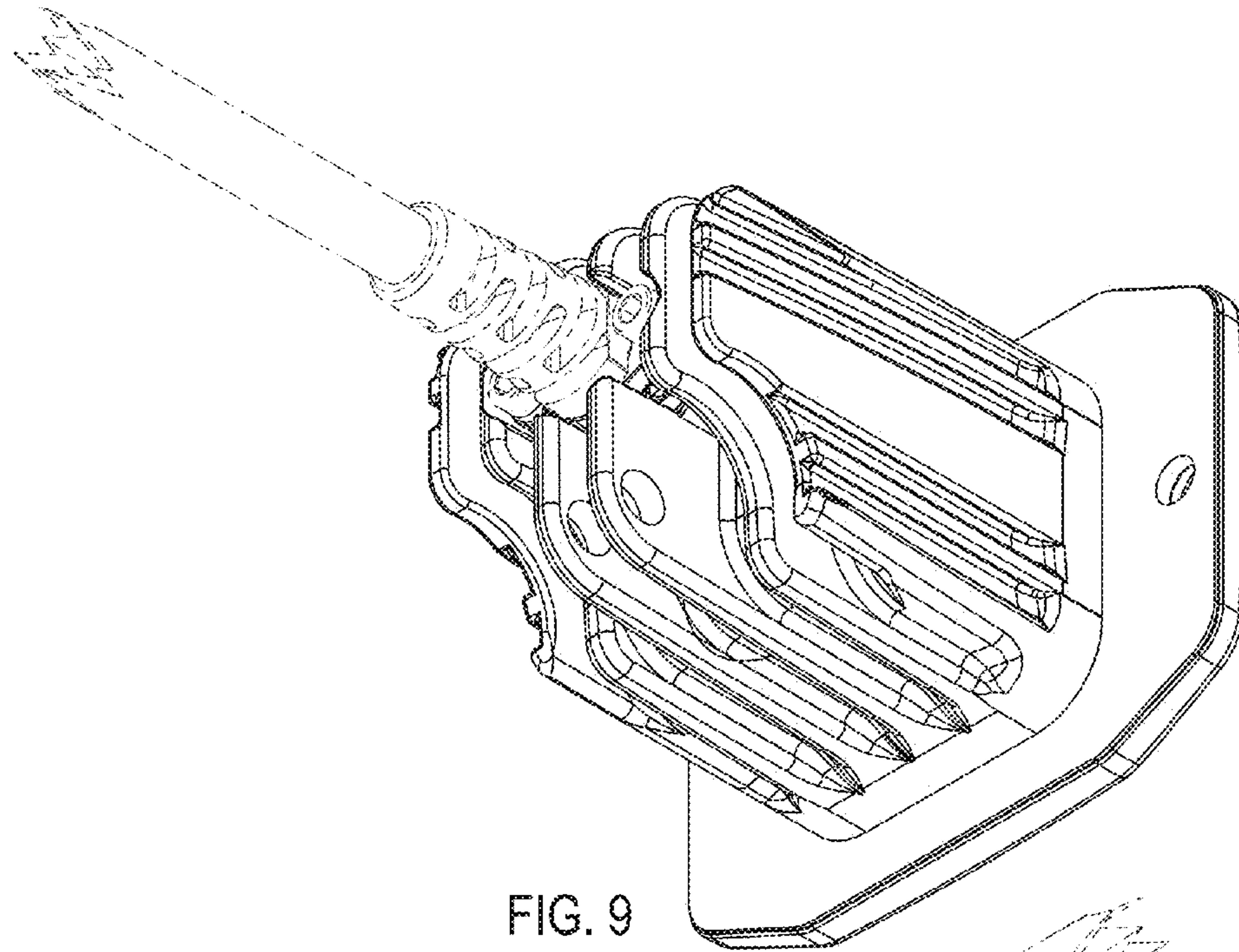


FIG. 9

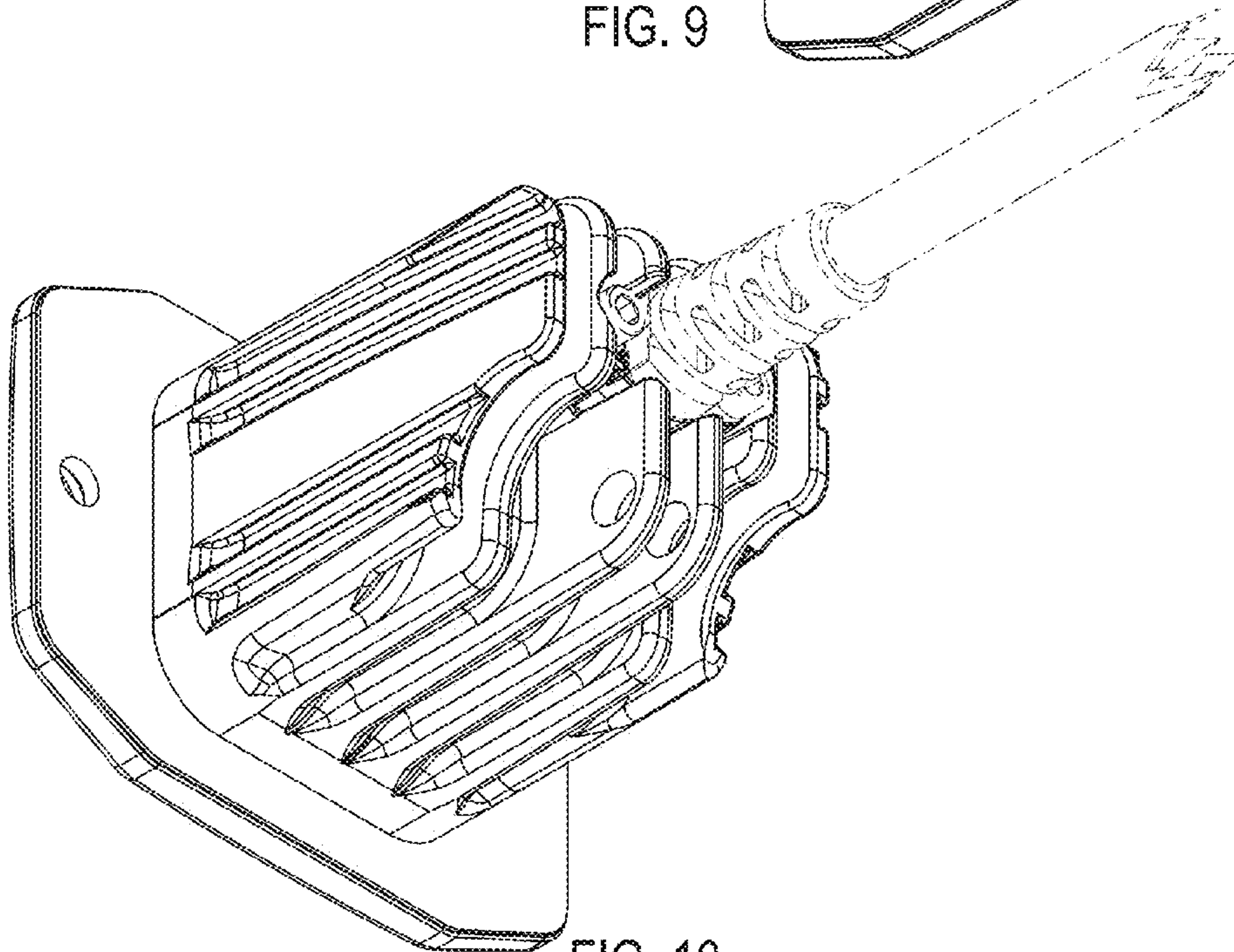


FIG. 10

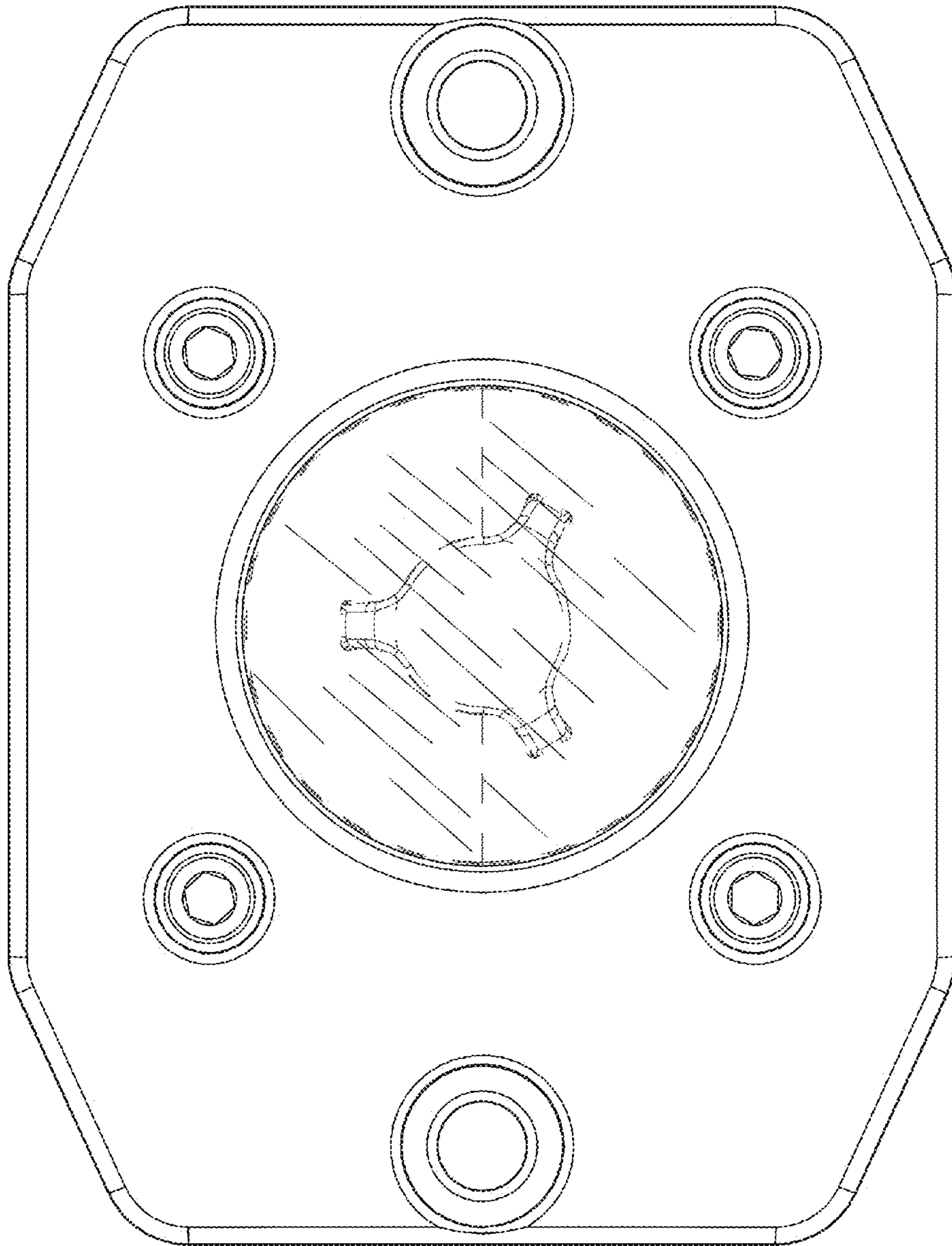


FIG. 11

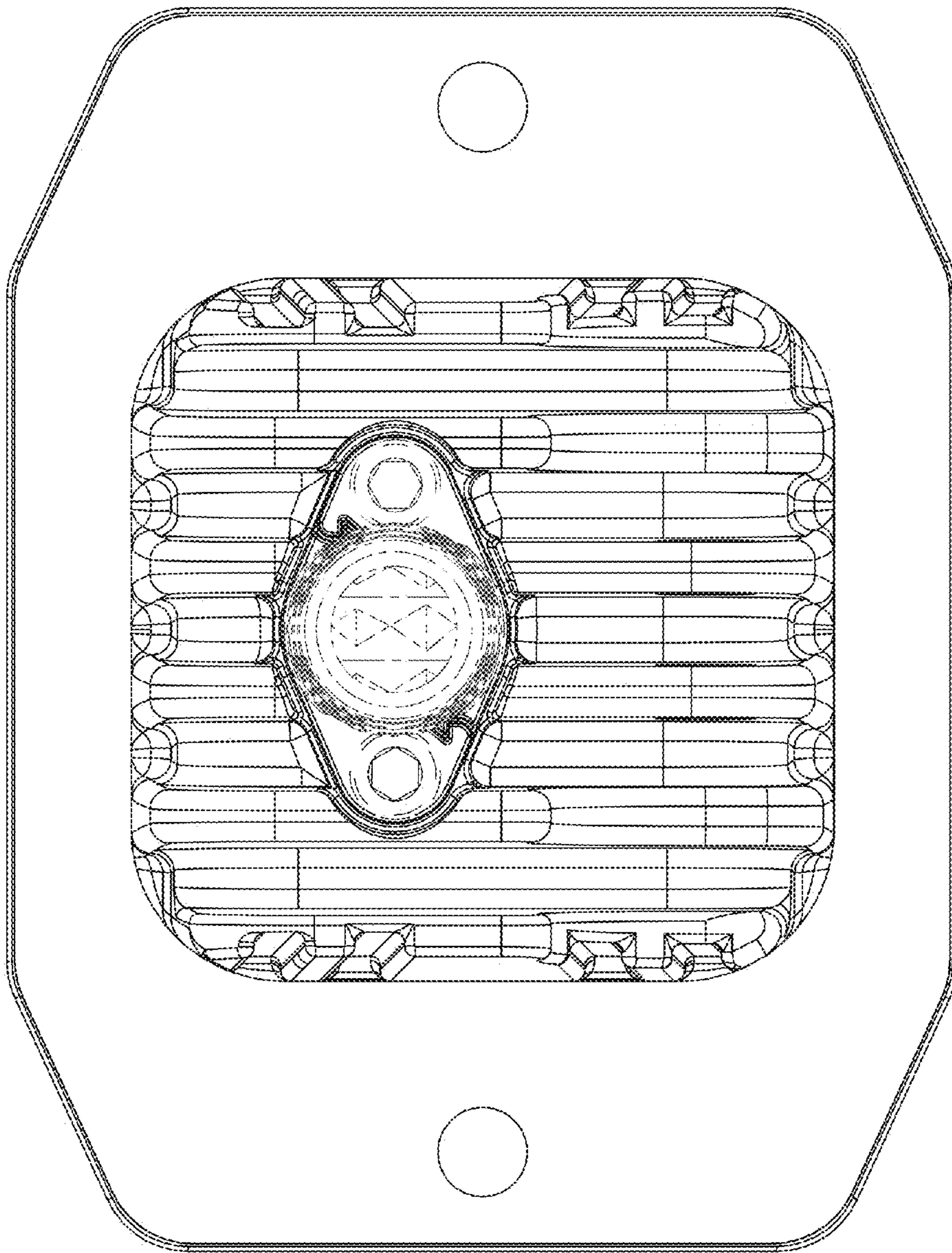


FIG. 12

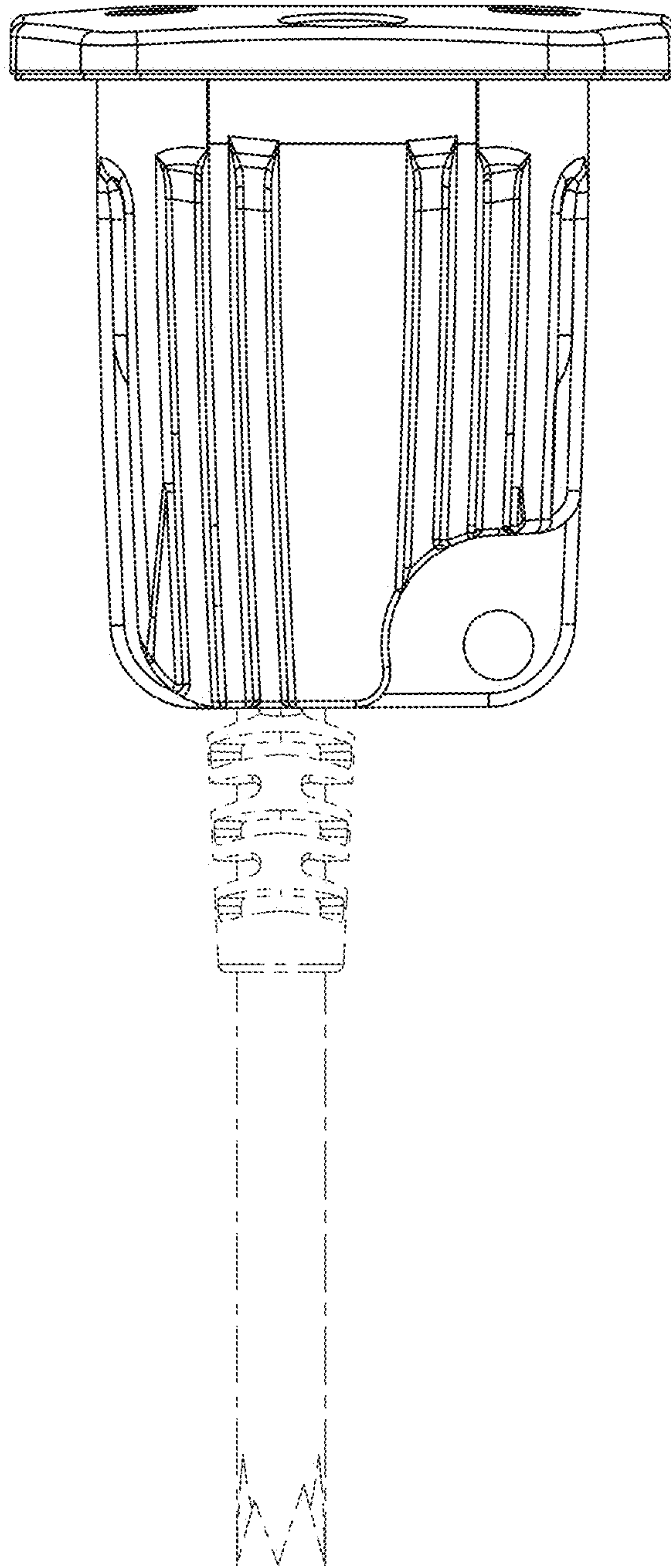


FIG. 13

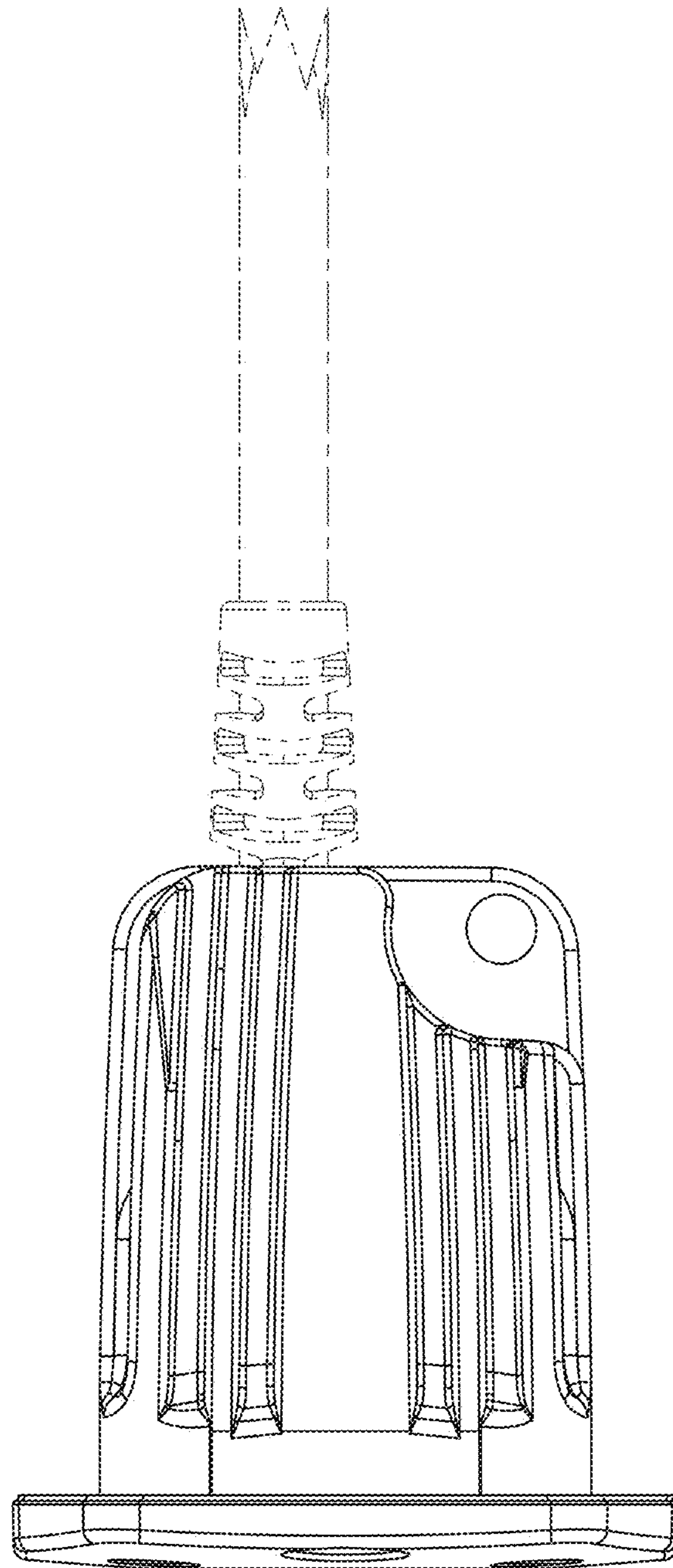


FIG. 14

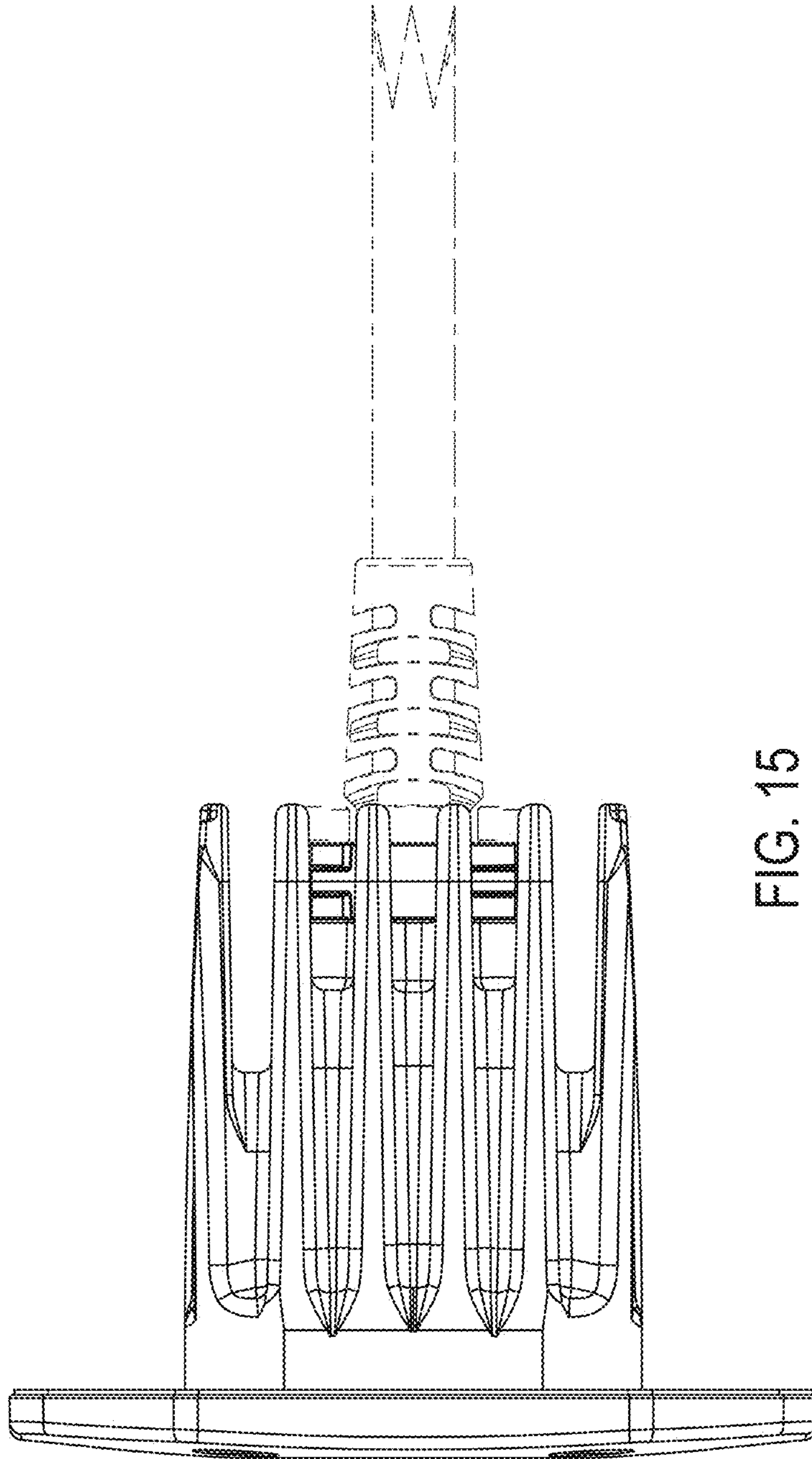


FIG. 15

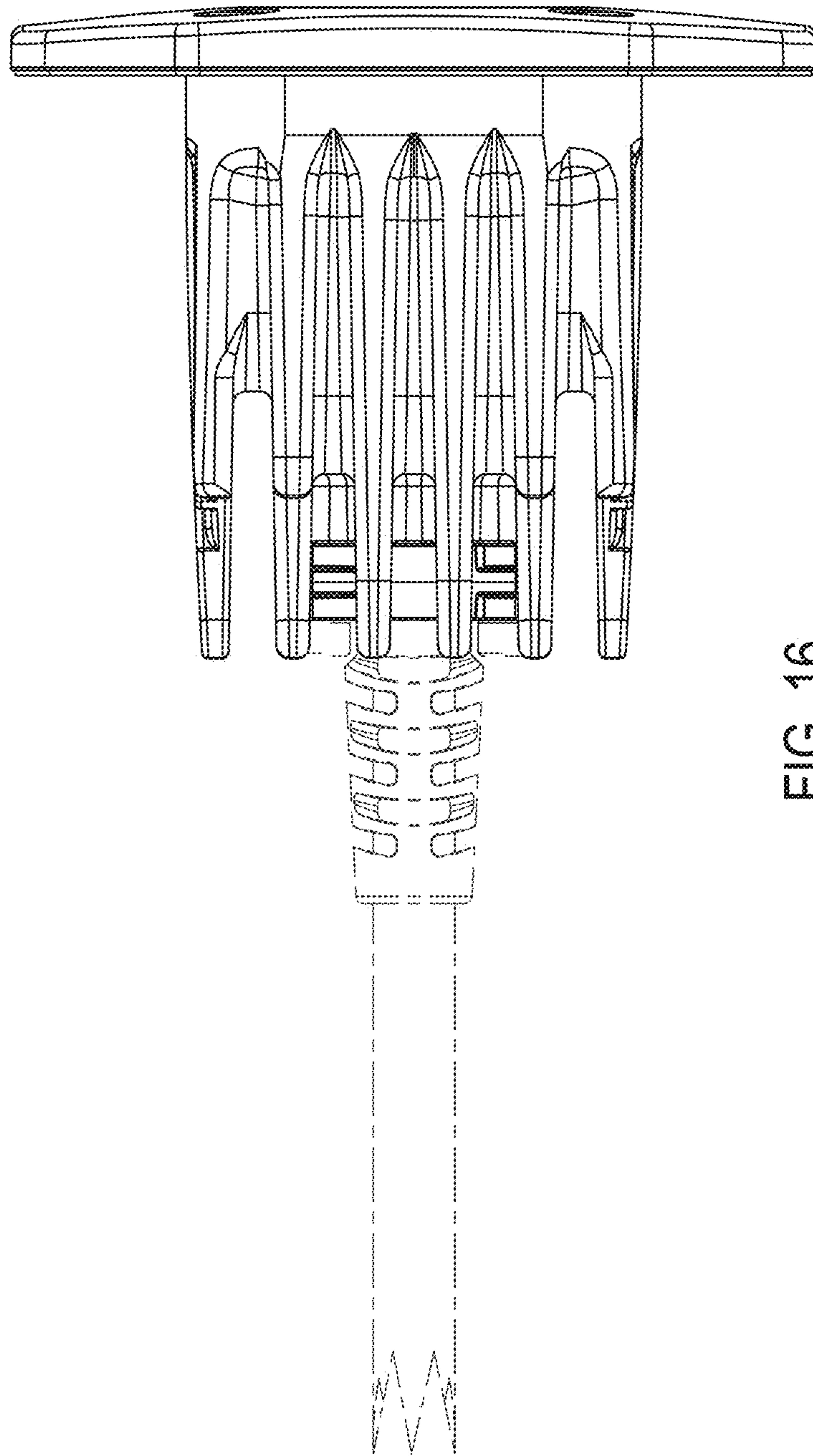


FIG. 16