

US00D765882S

(12) **United States Design Patent** (10) **Patent No.:** **US D765,882 S**
Deleu (45) **Date of Patent:** **** Sep. 6, 2016**

(54) **FRAME ELEMENT**
(71) Applicant: **ALUVISION, N.V.**, Deinze (BE)
(72) Inventor: **Dirk Deleu**, Deinze (BE)
(73) Assignee: **Aluvision, N.V.**, Deinze (BE)
(**) Term: **15 Years**
(21) Appl. No.: **29/526,724**
(22) Filed: **May 13, 2015**

D392,393 S * 3/1998 Hersh D25/122
5,727,356 A * 3/1998 Ensinger E06B 3/26303
49/DIG. 1
D479,612 S * 9/2003 Larsen D25/121
D501,937 S * 2/2005 Mitrevics D25/124
D518,900 S * 4/2006 Barnett D25/119
D537,537 S * 2/2007 Antonic D25/122
D541,953 S * 5/2007 Deleu D25/122
D572,375 S * 7/2008 Morton D25/121
D598,574 S * 8/2009 Bergmann D25/122
D621,962 S * 8/2010 Deleu D25/122
D655,427 S * 3/2012 Sutton D25/121
D745,706 S * 12/2015 Gosling D25/119
D754,366 S * 4/2016 Morton D25/124
2002/0011039 A1* 1/2002 Edger E06B 1/36
52/204.593

(30) **Foreign Application Priority Data**

Feb. 25, 2015 (WO) 875292801

(51) **LOC (10) Cl.** **25-01**
(52) **U.S. Cl.**
USPC **D25/122**

(58) **Field of Classification Search**
USPC D25/38.1, 39, 40, 41.1, 43, 44, 55,
D25/119-124, 126, 136, 164; D8/395, 396;
D20/42, 43, 44; D34/35
CPC E06B 1/36; E06B 1/702; E06B 1/366;
E06B 1/524; E06B 1/68; E06B 1/006;
E06B 1/04; E06B 1/26; E06B 1/28; E06B
2001/628; E06B 3/66; E06B 2003/2615
See application file for complete search history.

(56) **References Cited**

U.S. PATENT DOCUMENTS

D208,297 S * 8/1967 Woodard D25/121
D251,451 S * 3/1979 Toder D25/121
D282,783 S * 2/1986 Rezewski D25/124
D300,063 S * 2/1989 Sheltra D25/120
D312,315 S * 11/1990 Westphal D25/122
D351,240 S * 10/1994 Cole D25/122
D351,667 S * 10/1994 Bancroft D25/124
D365,888 S * 1/1996 Ishmael D25/124

* cited by examiner

Primary Examiner — Cynthia Ramirez

Assistant Examiner — Llorellys Martinez-Rivera

(74) *Attorney, Agent, or Firm* — Kirschstein, Israel, Schiffmiller & Pieroni, P.C.

(57) **CLAIM**

The ornamental design for a frame element, as shown and described.

DESCRIPTION

FIG. 1 is a top perspective view of a frame element, showing my new design.

FIG. 2 is a top plan view thereof.

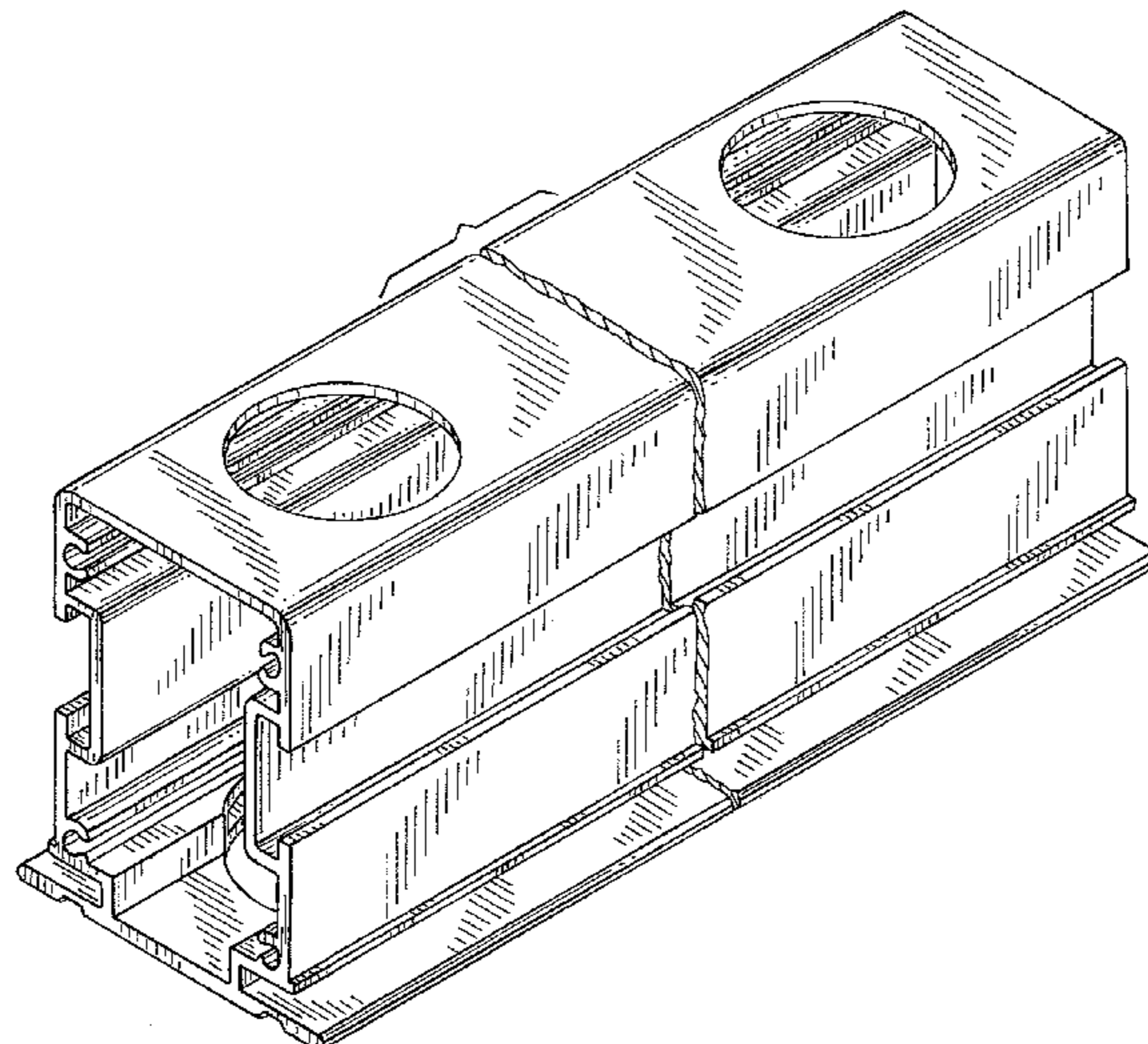
FIG. 3 is a right side elevation view thereof, the left side elevation view being a mirror image thereof.

FIG. 4 is a front end elevation view thereof, the rear end elevation view being a mirror image thereof; and,

FIG. 5 is a bottom plan view thereof.

The frame element is shown with a symbolic break in its length. The appearance of any portion of the frame element between the break lines forms no part of the claimed design.

1 Claim, 3 Drawing Sheets



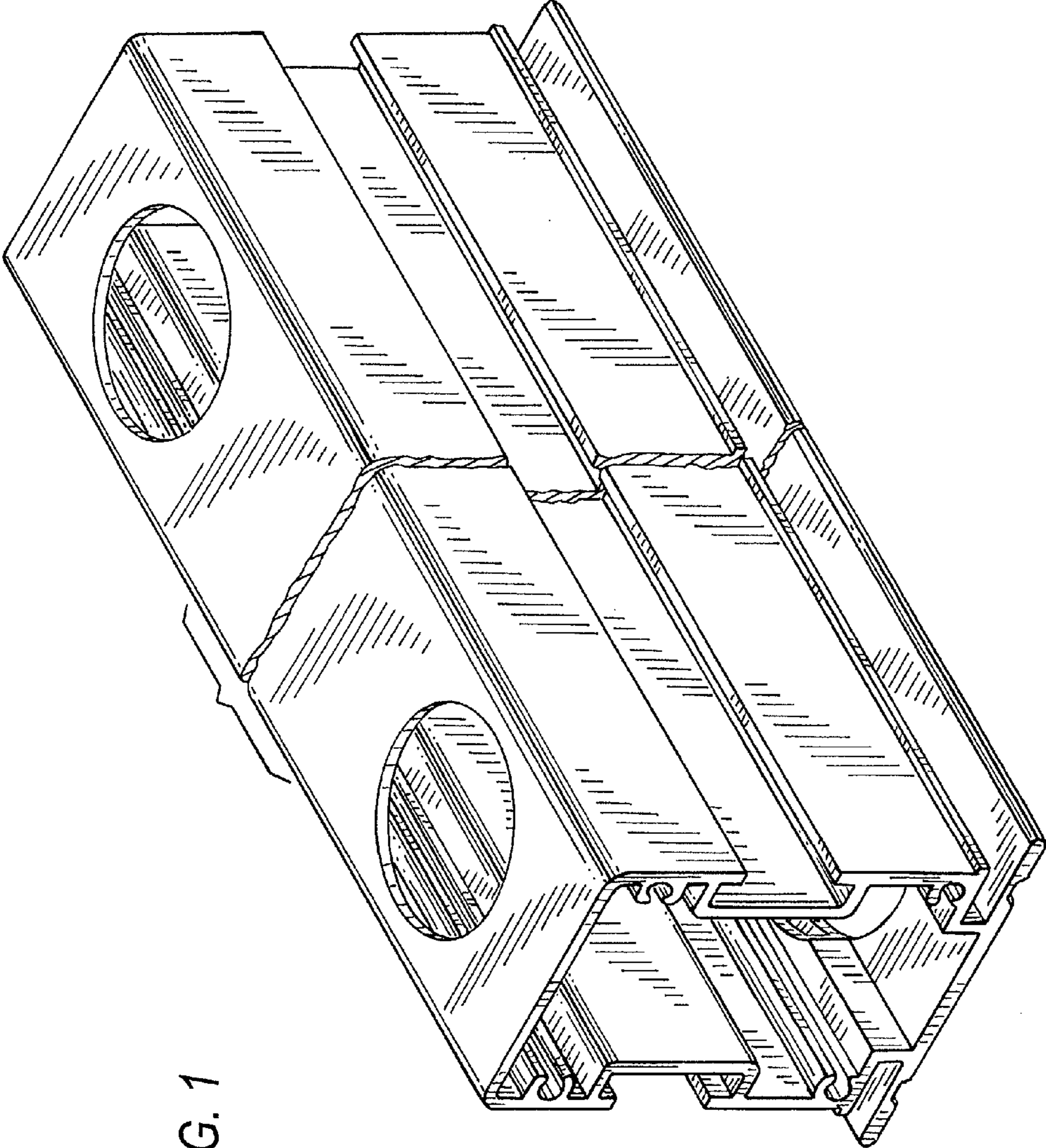


FIG. 1

FIG. 2

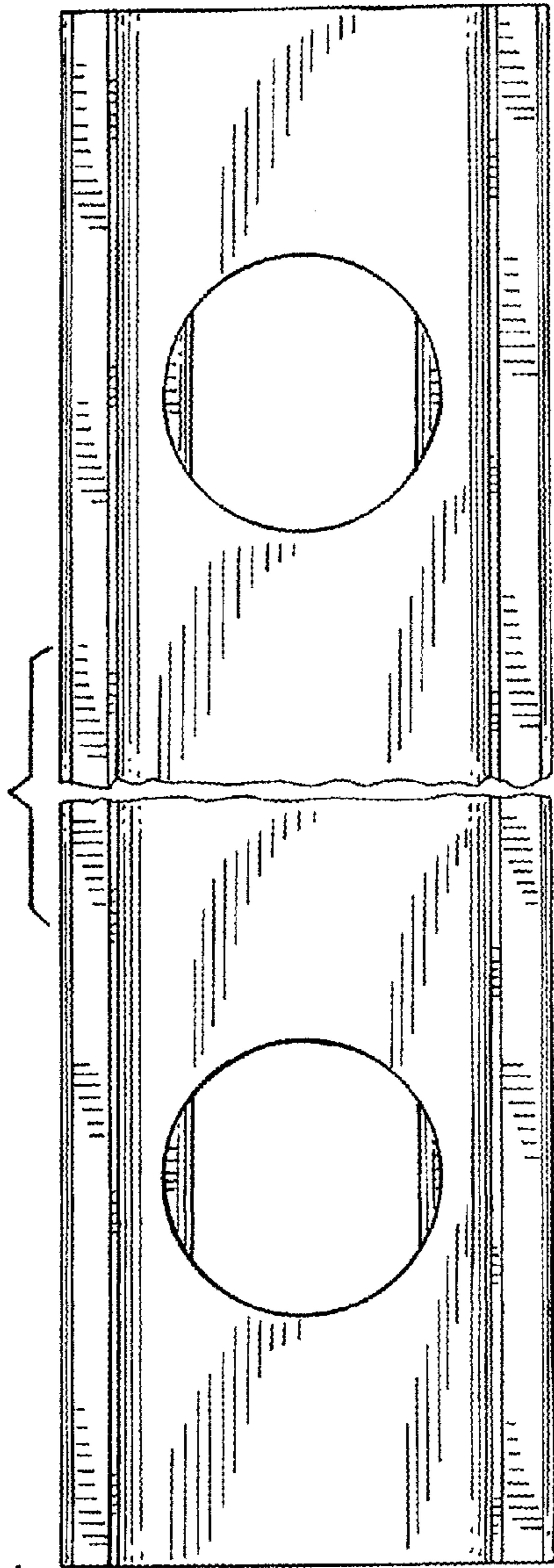
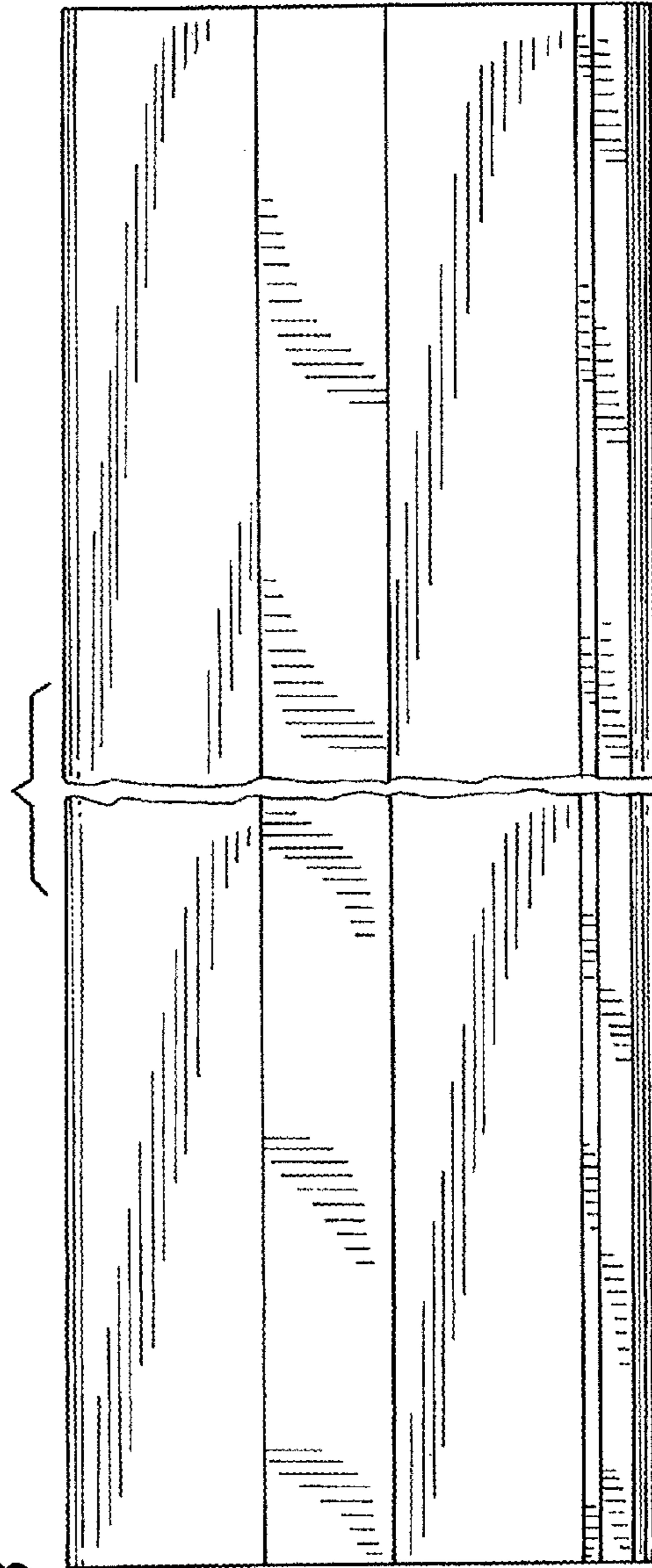


FIG. 3



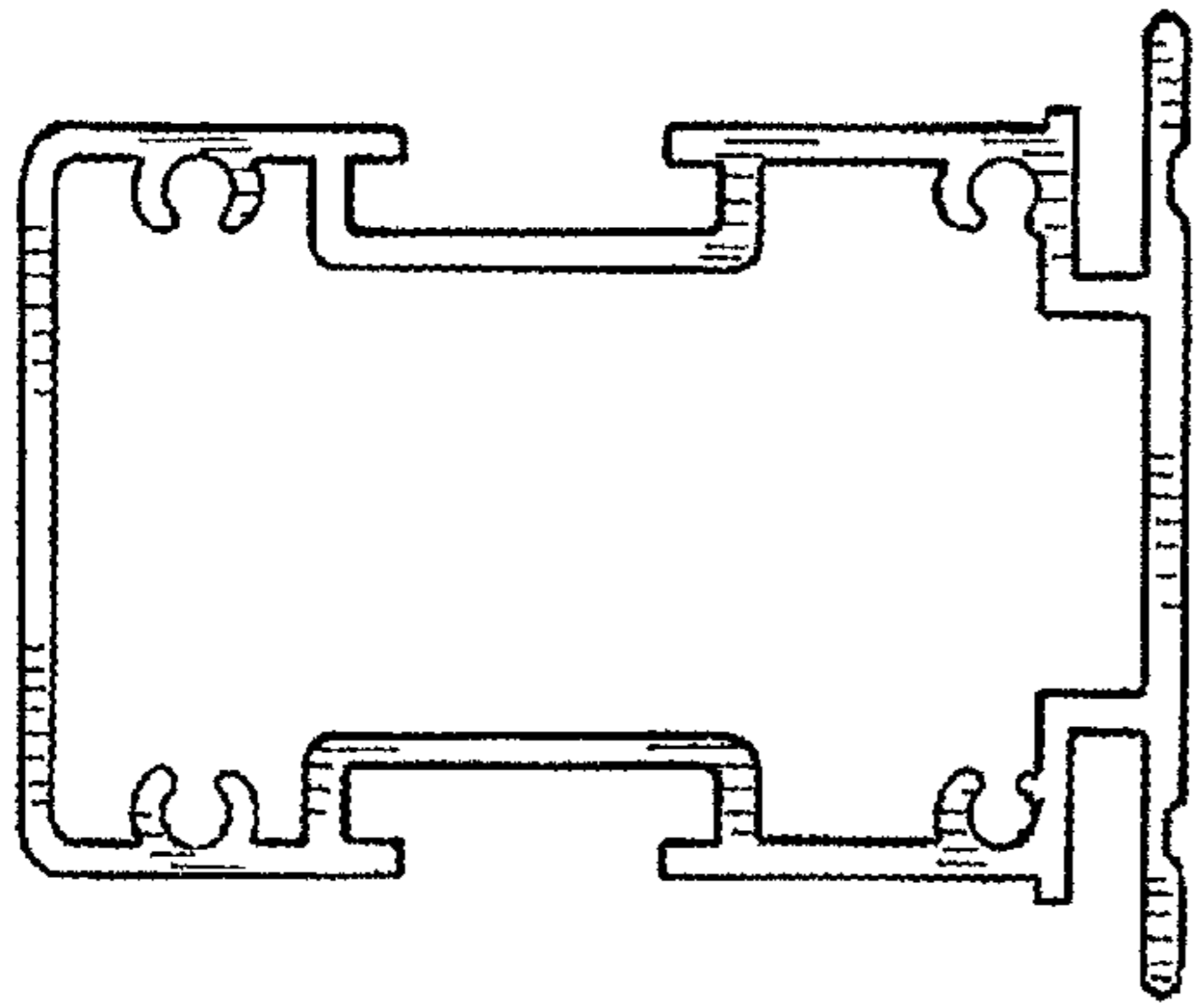


FIG. 4

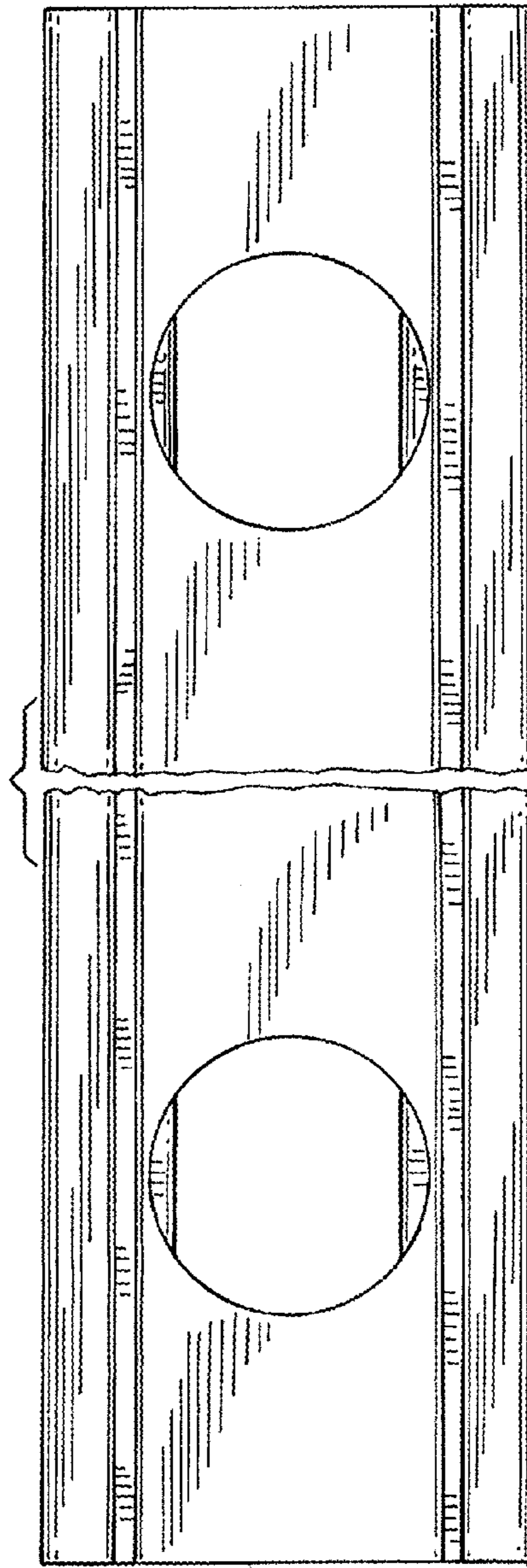


FIG. 5